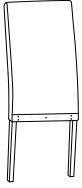
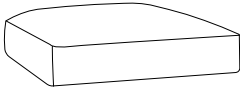

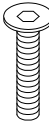
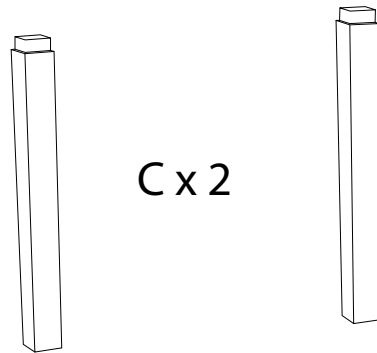
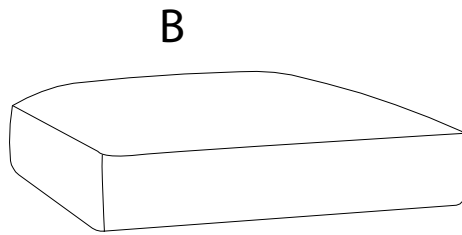
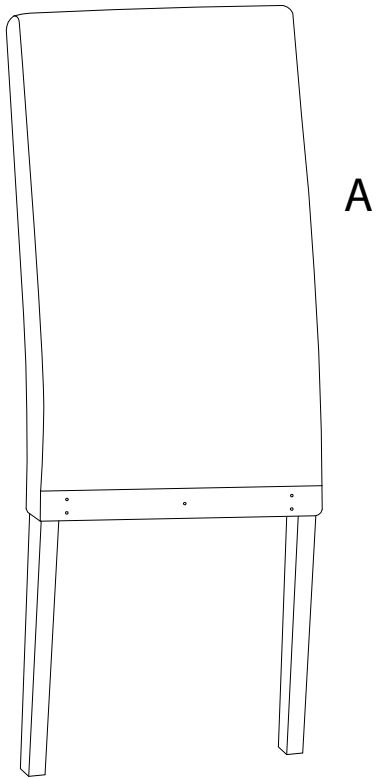


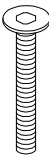
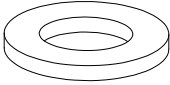

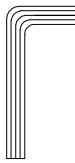
An icon showing an L-shaped metal bracket inside a circle, and a power drill with a diagonal line through it, indicating that a power drill should not be used.	A warning triangle containing an exclamation mark.	A clock face icon.
An icon showing a rectangular block on a mat with a diagonal line through it, and another rectangular block with a diagonal line through it, indicating that the block should not be placed on a mat.	A warning triangle containing an exclamation mark.	A simple icon of a person.

15'

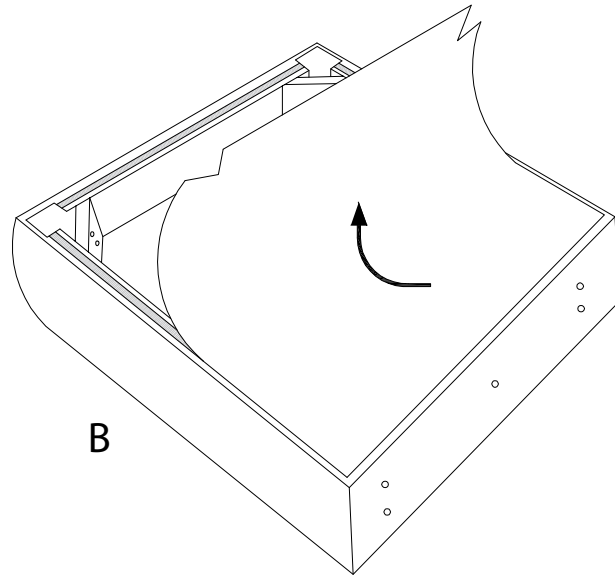
1

<p><b>A</b></p>  <p><b>x 1</b></p>	<p><b>B</b></p>  <p><b>x 1</b></p>	<p><b>C</b></p>  <p><b>x 2</b></p>	<p><b>D</b></p>  <p>M8 x 60</p> <p><b>x 1</b></p>
---	---	---	--



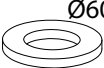



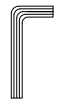


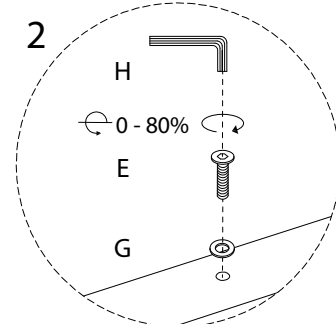
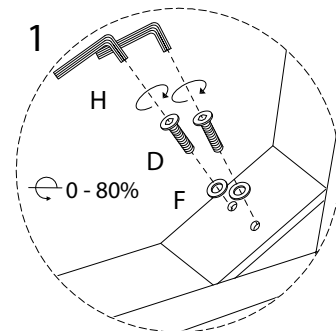
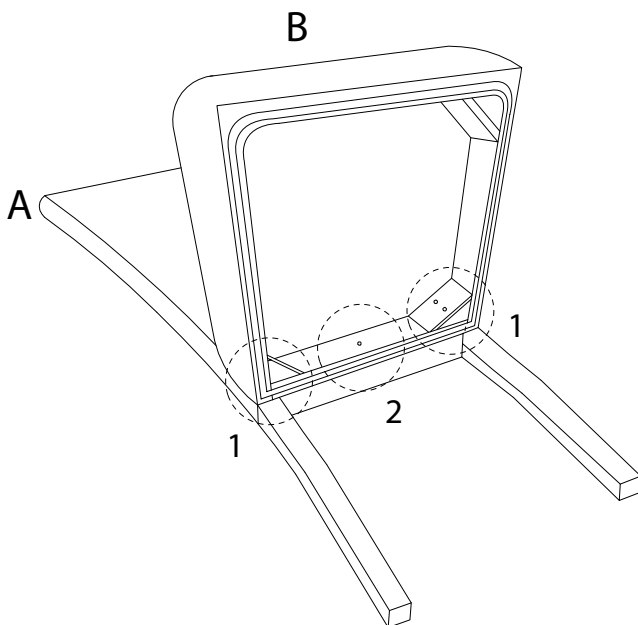
<p><b>E</b></p>  <p>M8 x 80</p> <p><b>x 8</b></p>	<p><b>F</b></p>  <p>Ø60</p> <p><b>x 1</b></p>	<p><b>G</b></p>  <p>Ø80</p> <p><b>x 8</b></p>	<p><b>H</b></p>  <p><b>x 1</b></p>
--	--	---	---

!



1

A	B	F	G	D	E	H
						
x 1	x 1	x 1	x 4	x 1	x 4	x 1



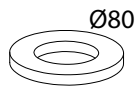
2

C



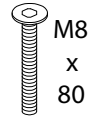
x 2

G



x 4

E

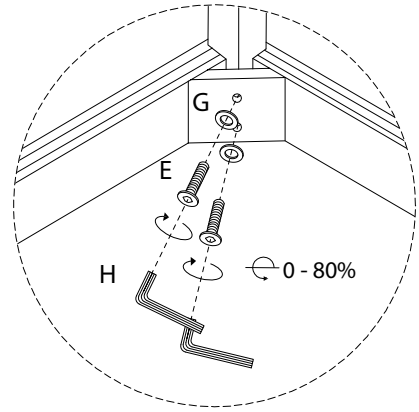
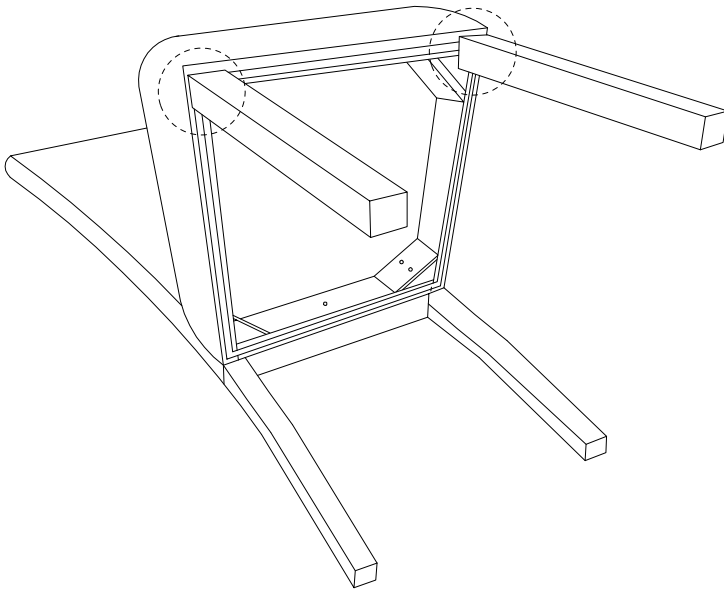


x 4

H

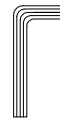


x 1

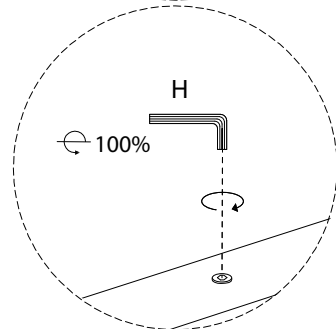
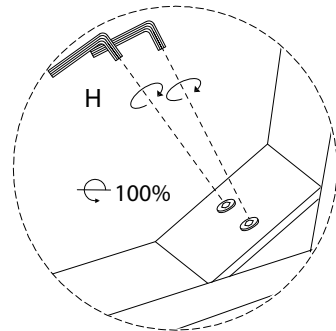
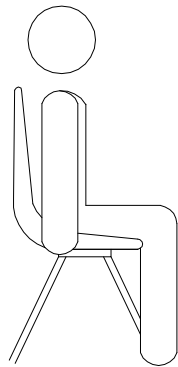


3

H



x 1



!

