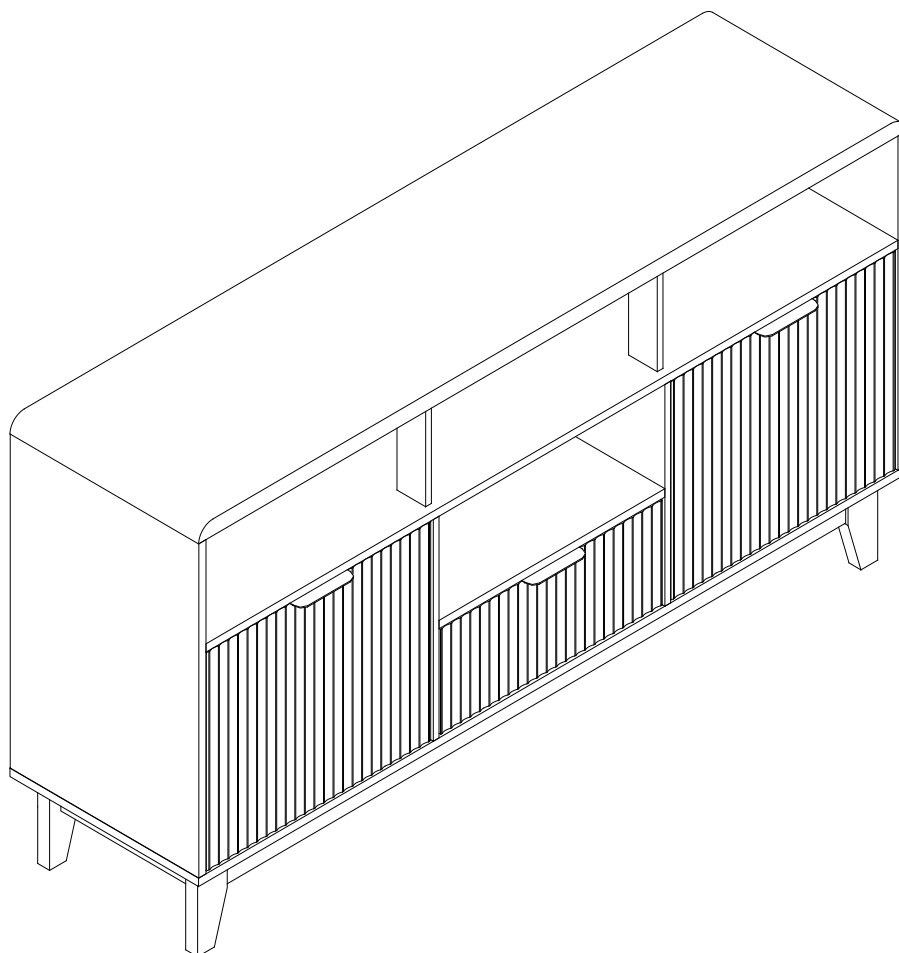


User Manual



It is recommended to use the text guidance in combination with the assembly video and then start assembling.
If you cannot find the video guidance,

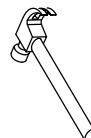
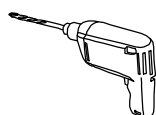
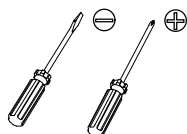
please contact customer service

Tel: +1 7402568754

E-mail: service_april@163.com

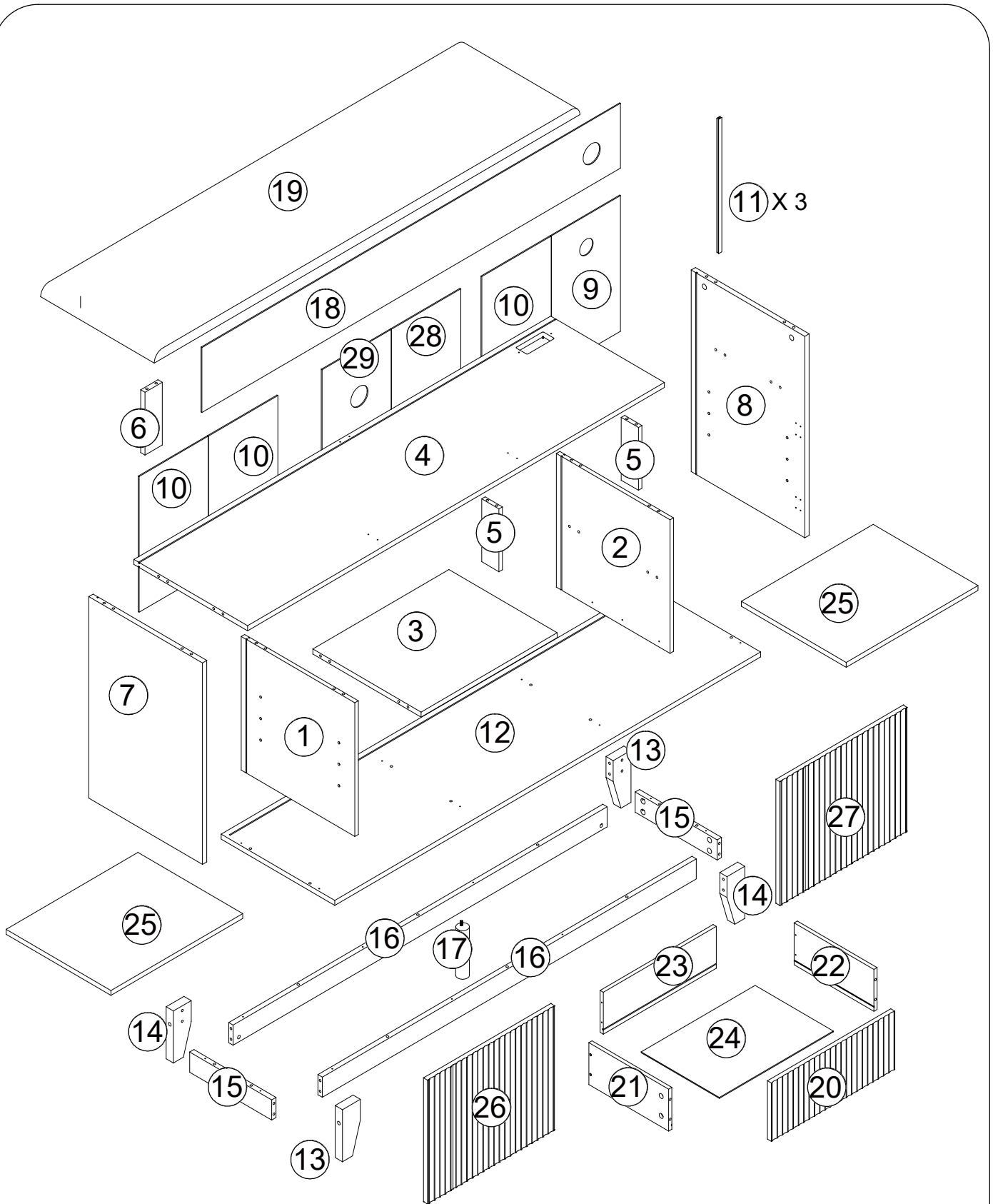


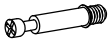


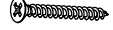

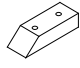
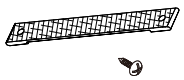
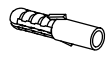


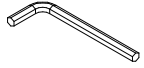


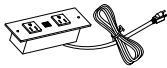
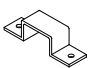
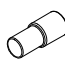
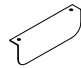




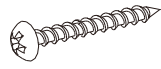






Tool Required Not Provided



Assembling Instruction

All accessories and installation tools are included



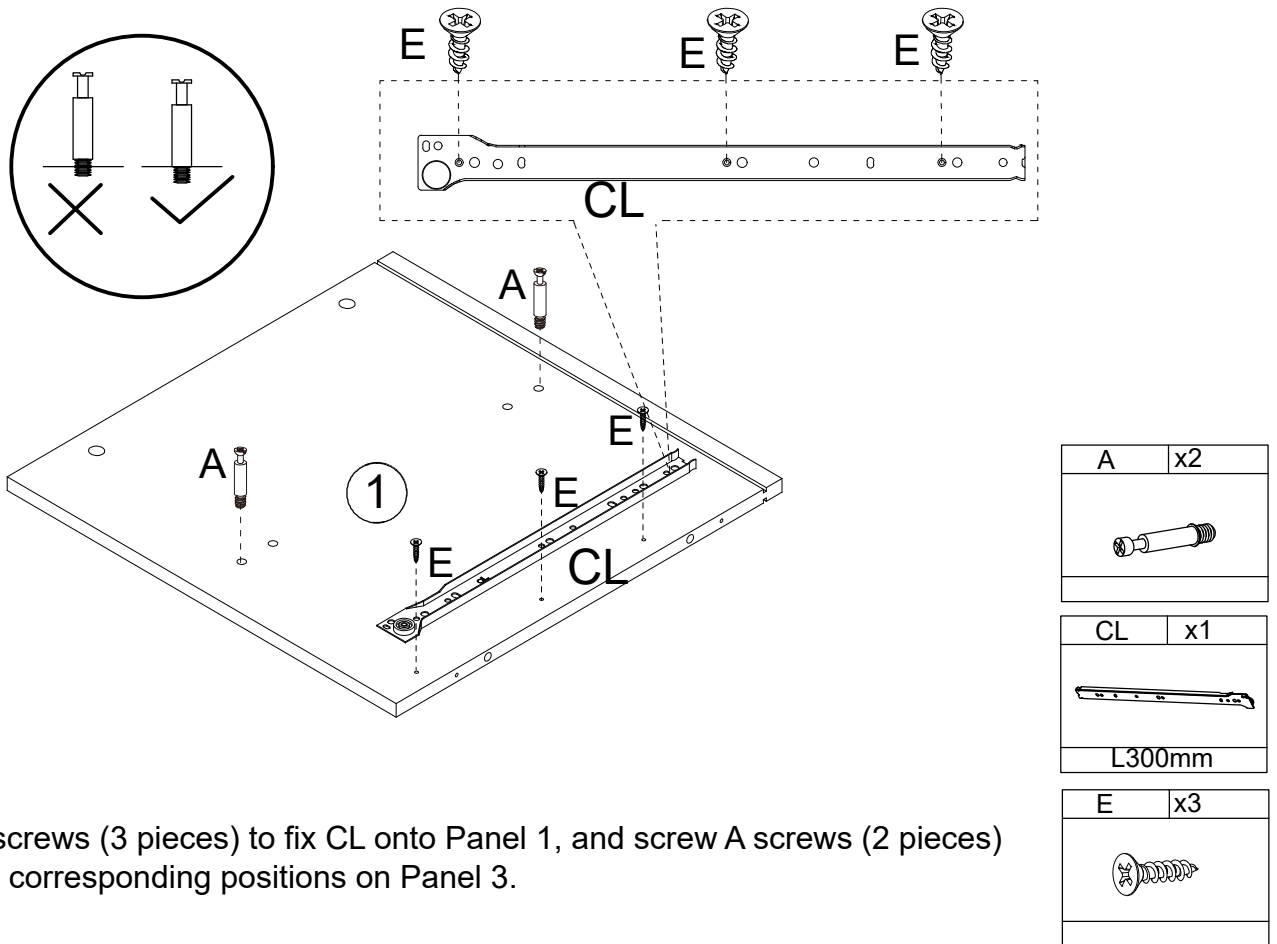
A	x32(+2)	B	x32(+2)	C	x40(+2)	D	x20(+2)	E	x18(+2)	F	x2
											
Ø6x35mm		Ø15x10mm		Ø6x30mm		Ø4x35mm		Ø3.5x12mm			
G	x2	H	x2	I	x20	J	x4	K	x1	L	x1
											
Ø4x14mm				Ø3x16mm							
M	x1	N	x1	O	x3	P	x8	Q	x3	R	x4
 M-1											
M-2											
											
S	x24	T	x14	U	x12	V	x1	W	x4	CL	x1
											
Ø4x14mm				Ø4x50mm						L300mm	
CR	x1	DL	x1	DR	x1						
											
L300mm		L300mm		L300mm							

Please check your package.

Feel free to contact us if parts are missing or damaged: service_April@163.com

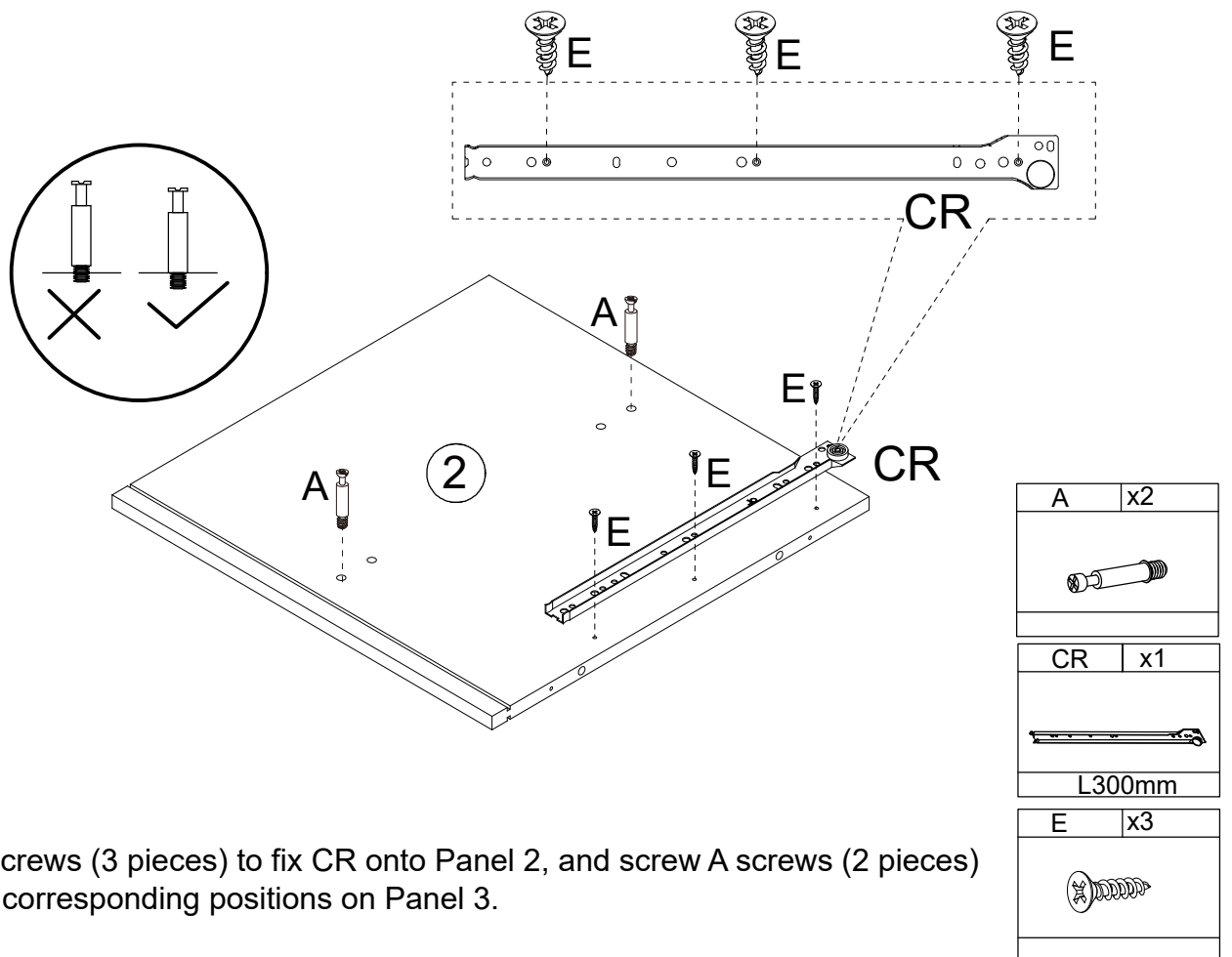
Our staff will solve the problem for you at the first time.^^

1



Use E screws (3 pieces) to fix CL onto Panel 1, and screw A screws (2 pieces) into the corresponding positions on Panel 3.

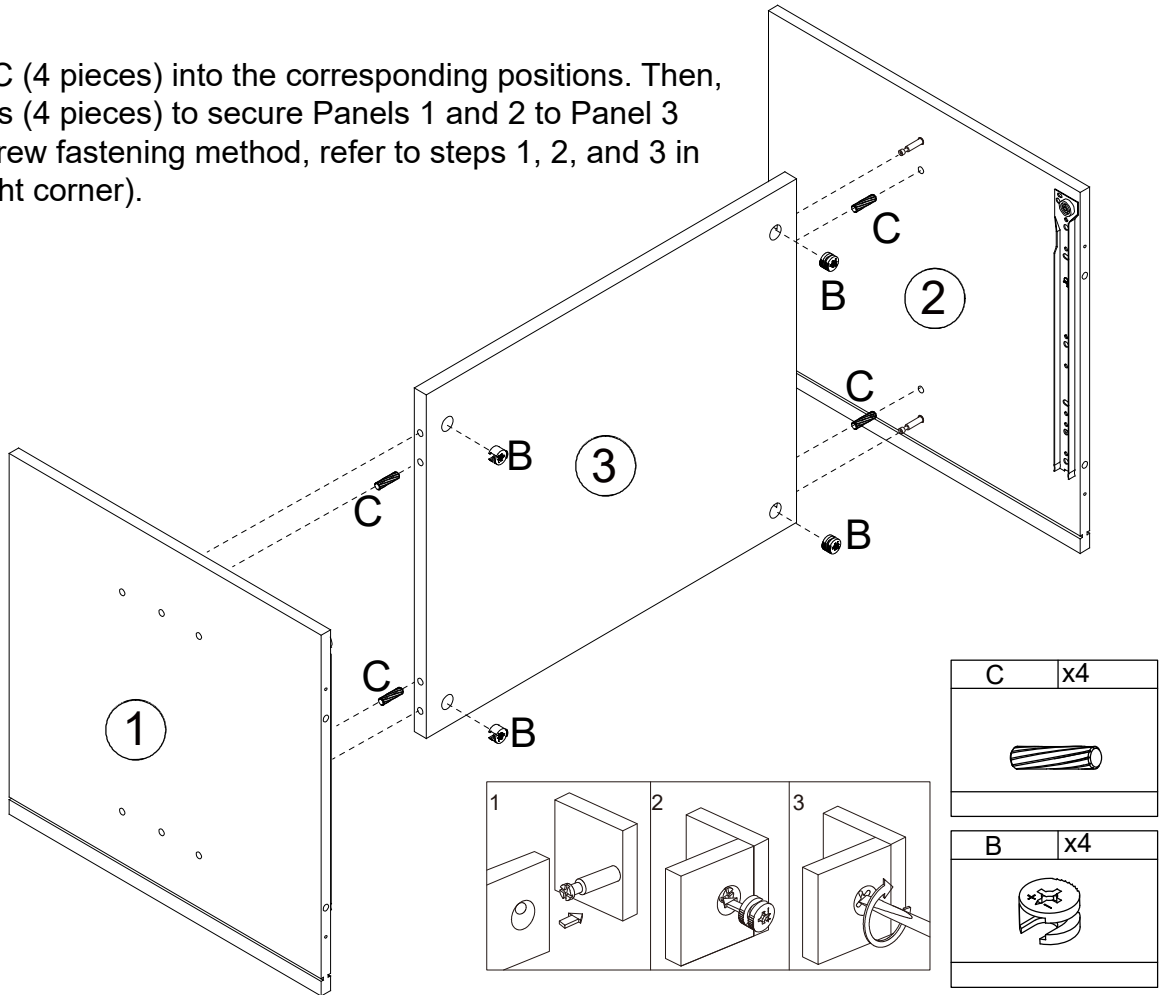
2



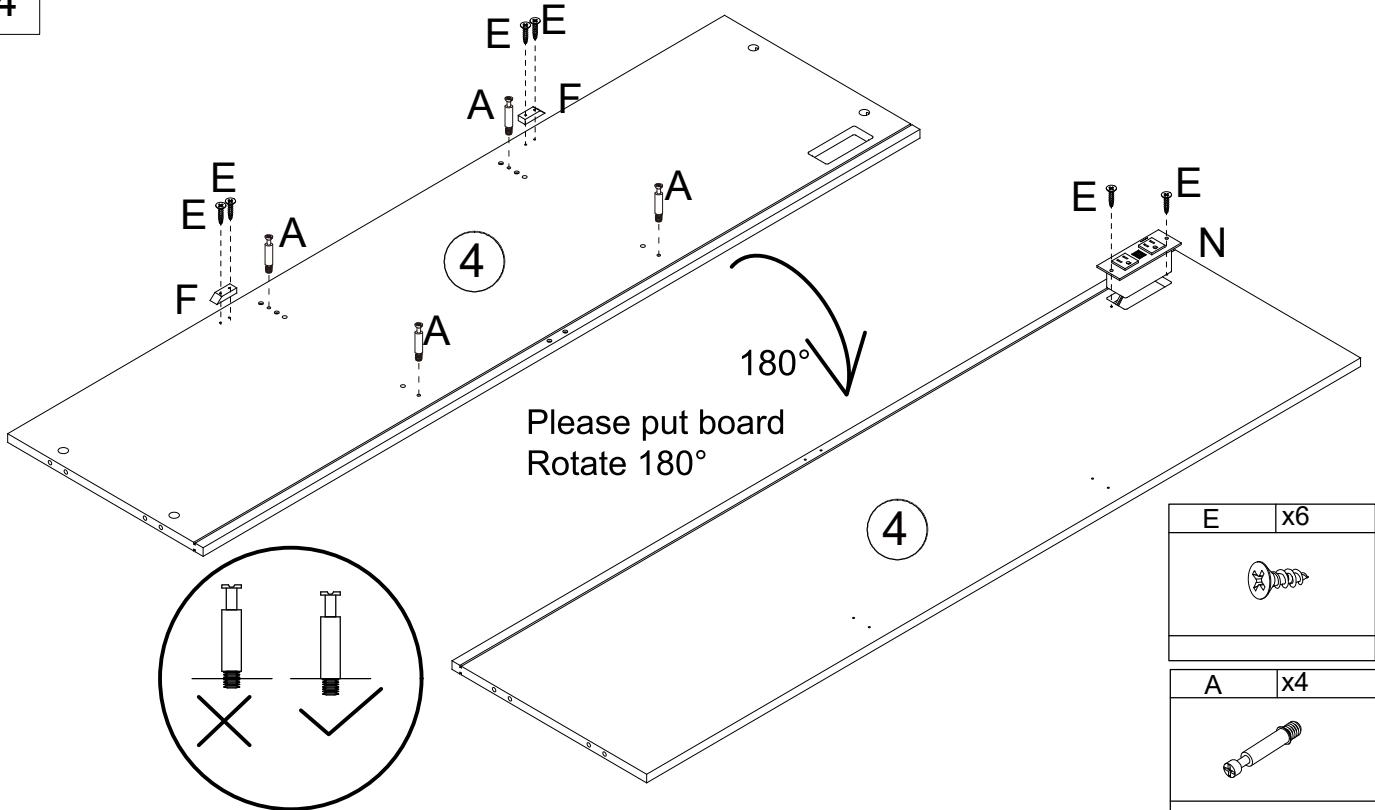
Use E screws (3 pieces) to fix CR onto Panel 2, and screw A screws (2 pieces) into the corresponding positions on Panel 3.

3

First, insert C (4 pieces) into the corresponding positions. Then, use B screws (4 pieces) to secure Panels 1 and 2 to Panel 3 (for the B screw fastening method, refer to steps 1, 2, and 3 in the lower right corner).

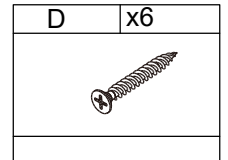
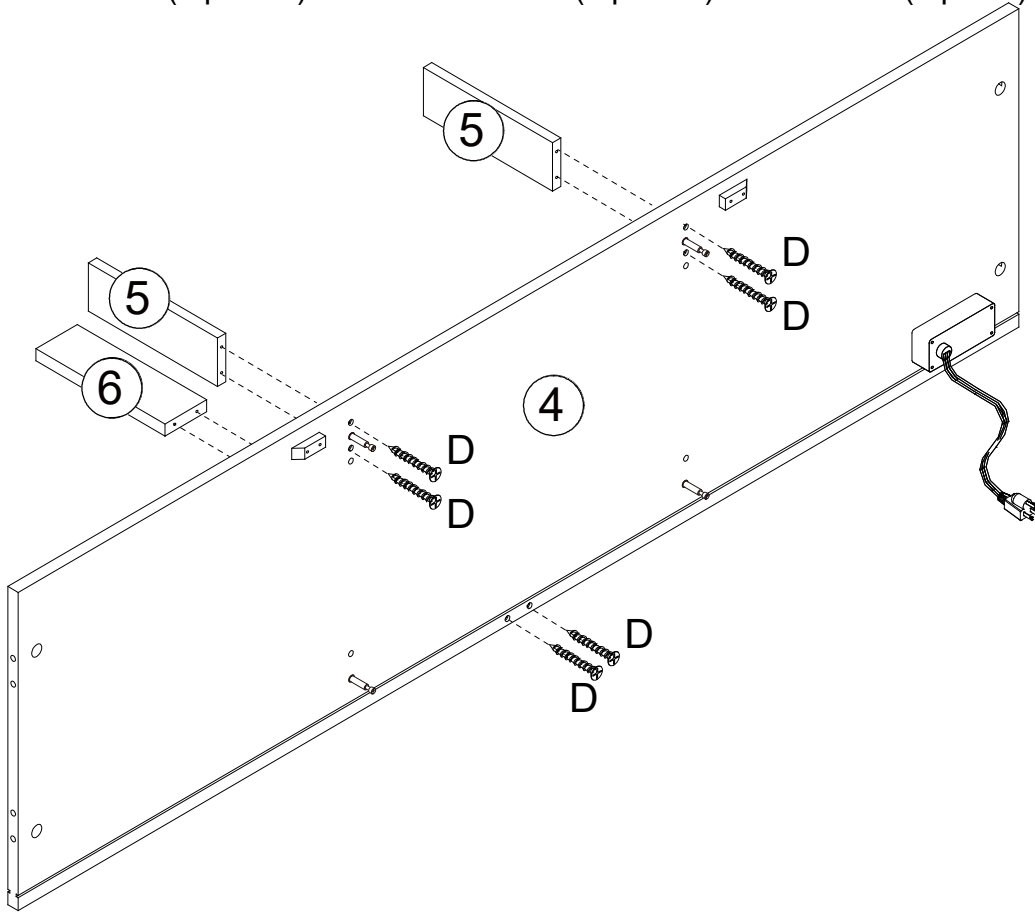


4

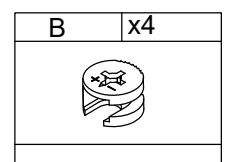
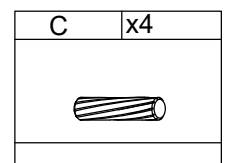
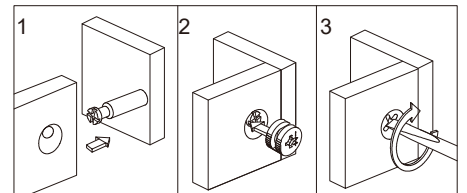
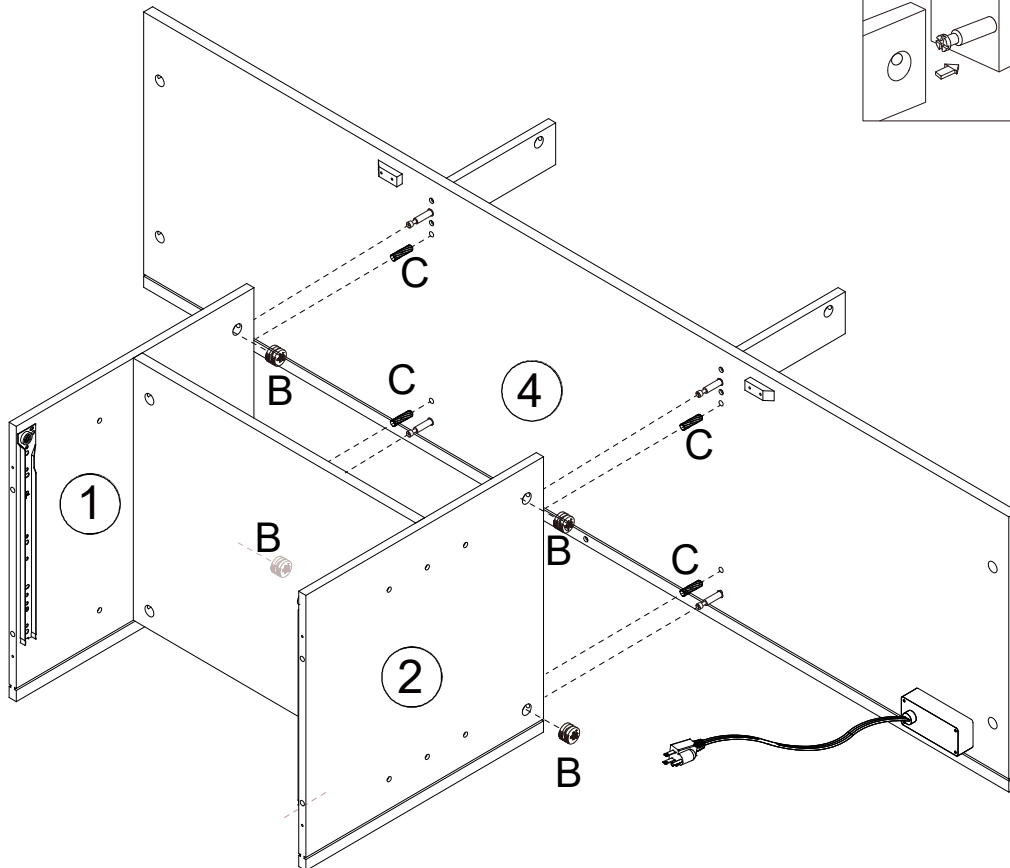


First, use E screws (4 pieces) to fix F (2 pieces) onto Panel 4, and screw A screws (4 pieces) into the corresponding positions on Panel 4. Then, flip Panel 4 180°, and use E screws (2 pieces) to fix the socket N onto Panel 4. [Pay attention to the orientation of Panel 4, refer to the diagram.]

5 Use D screws (6 pieces) to secure Panel 5 (2 pieces) and Panel 6 (1 piece) onto Panel 4.

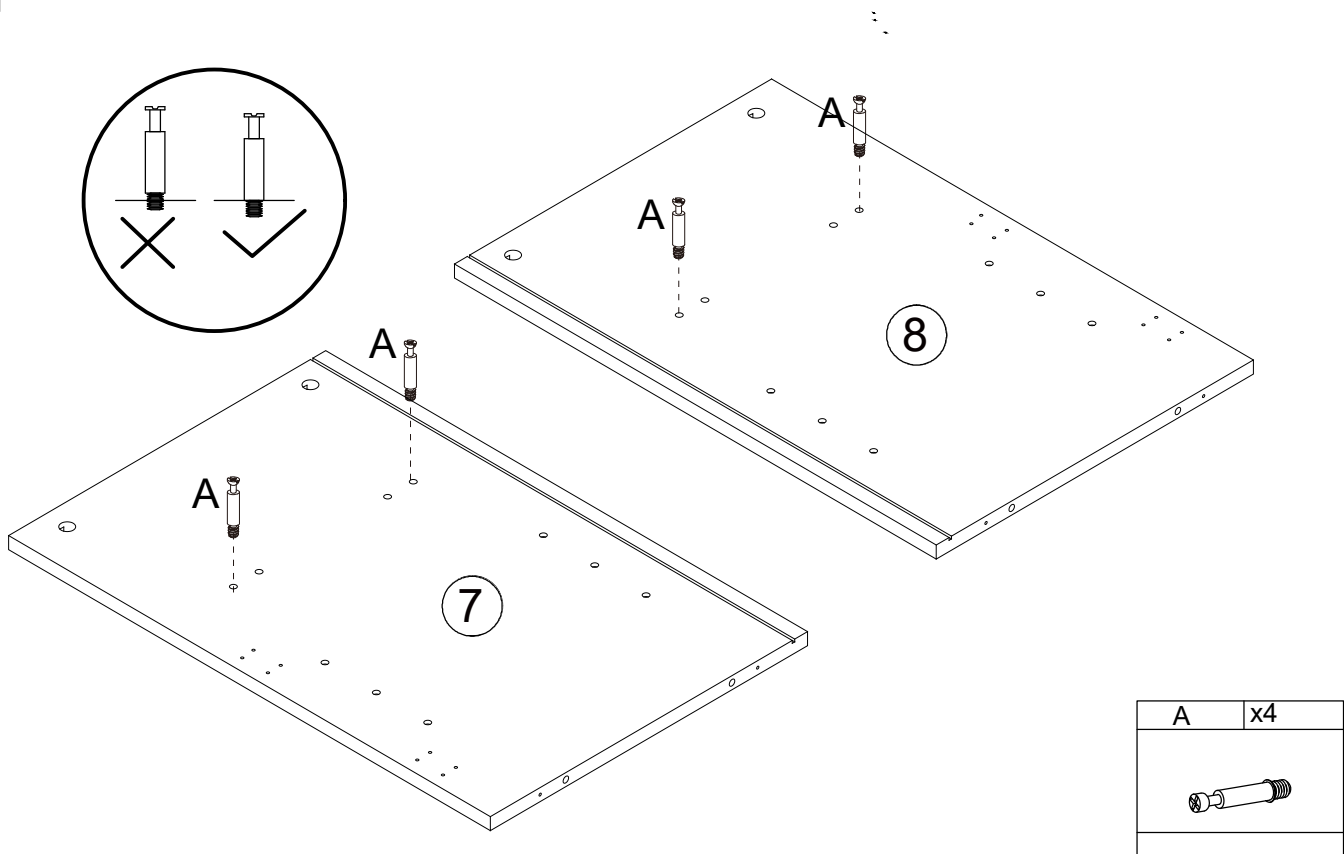


6



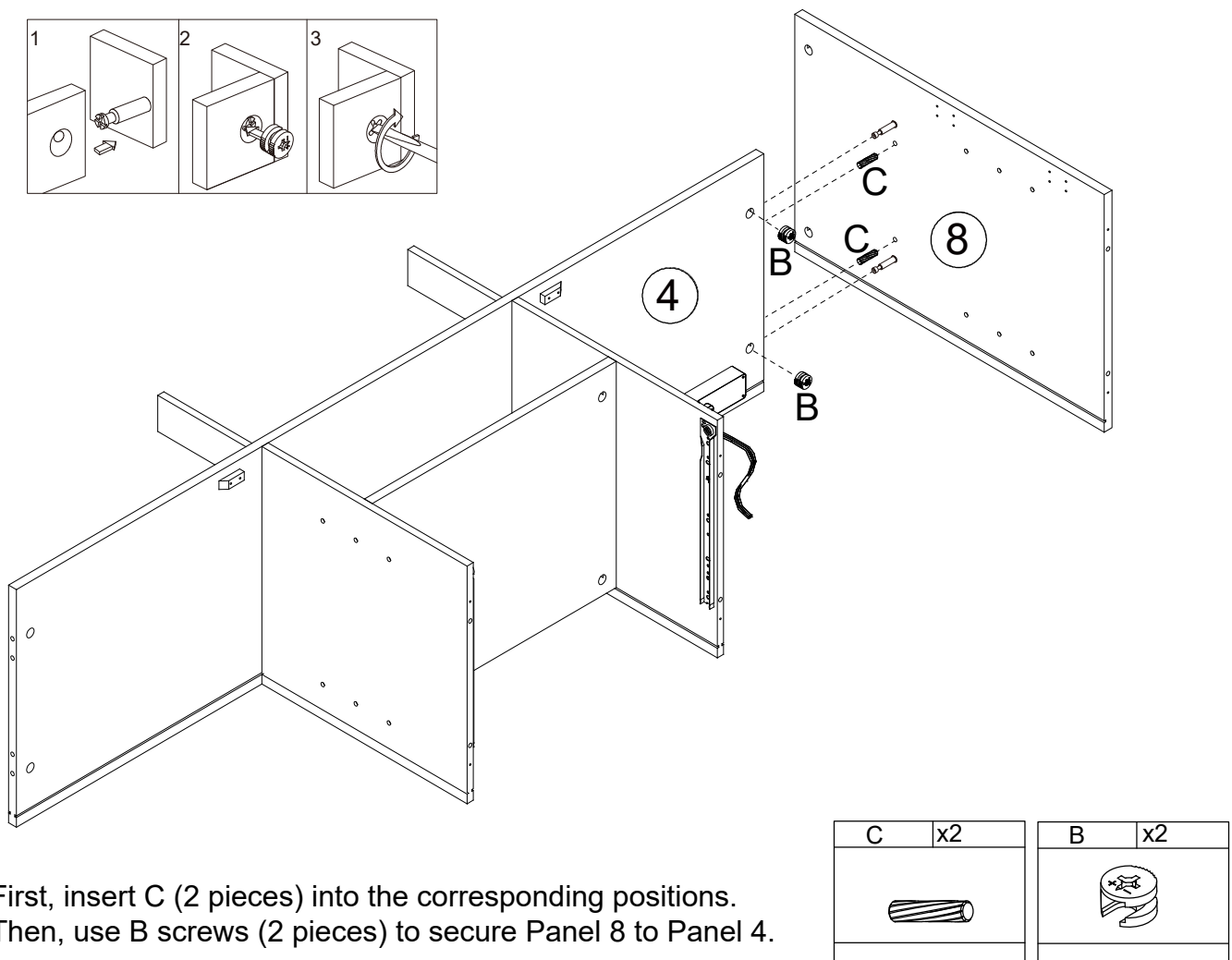
First, insert C (4 pieces) into the corresponding positions. Then, use B screws (4 pieces) to secure Panels 1 and 2 to Panel 4.

7



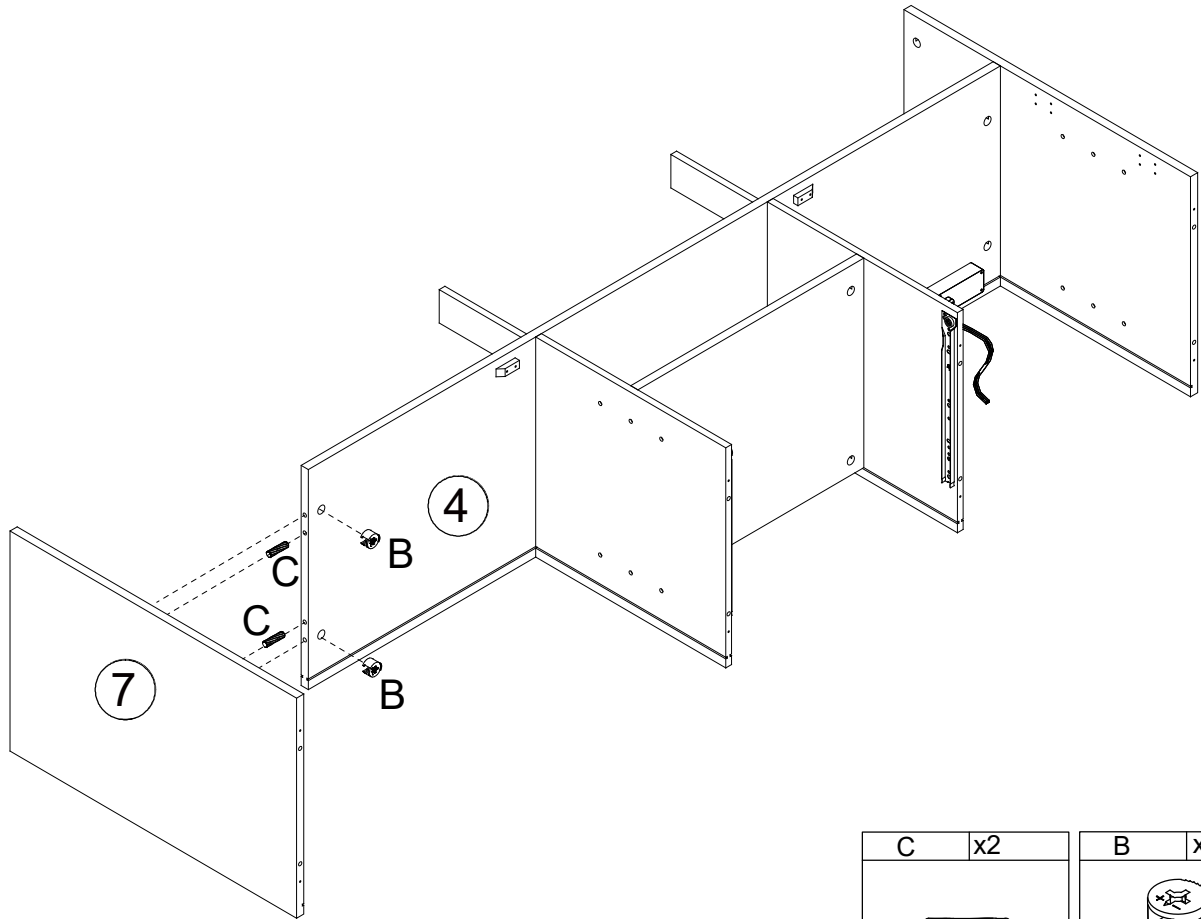
Screw A screws (4 pieces) into the corresponding positions on Panels 7 and 8 respectively.



8



First, insert C (2 pieces) into the corresponding positions.
Then, use B screws (2 pieces) to secure Panel 8 to Panel 4.

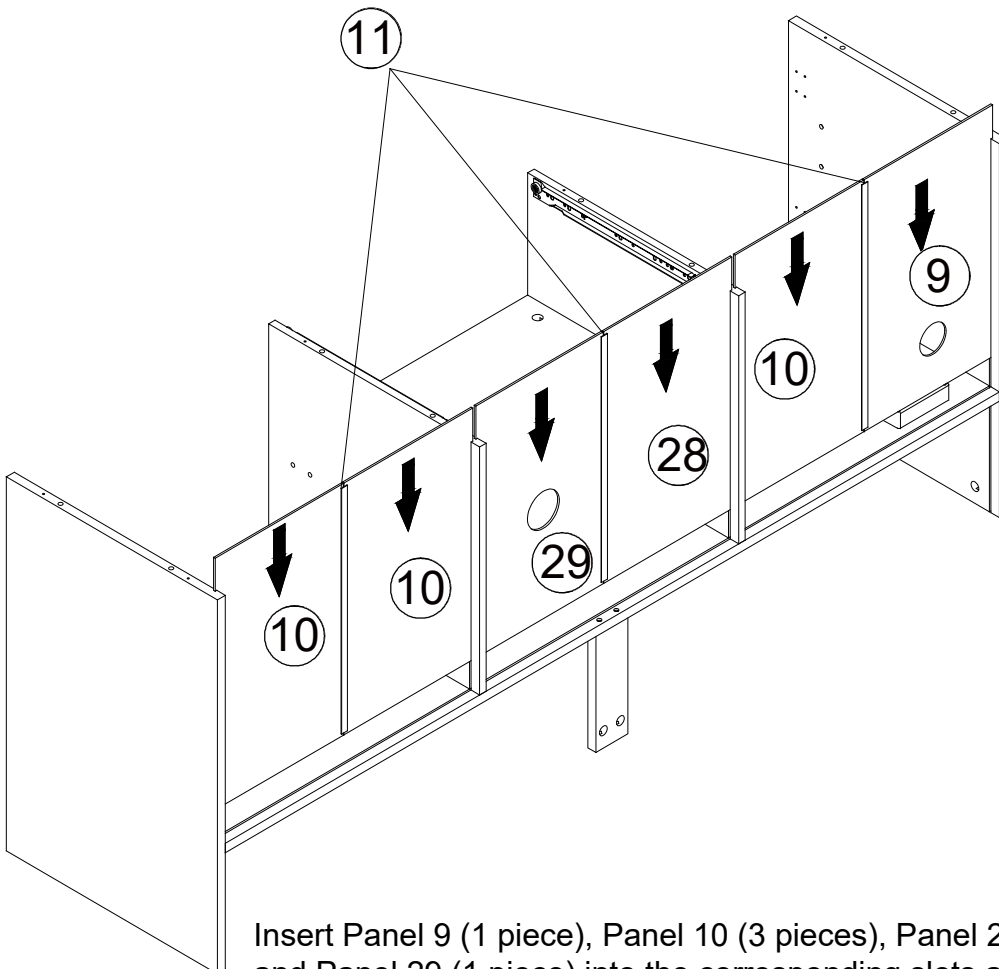
9



C	x2	B	x2
			

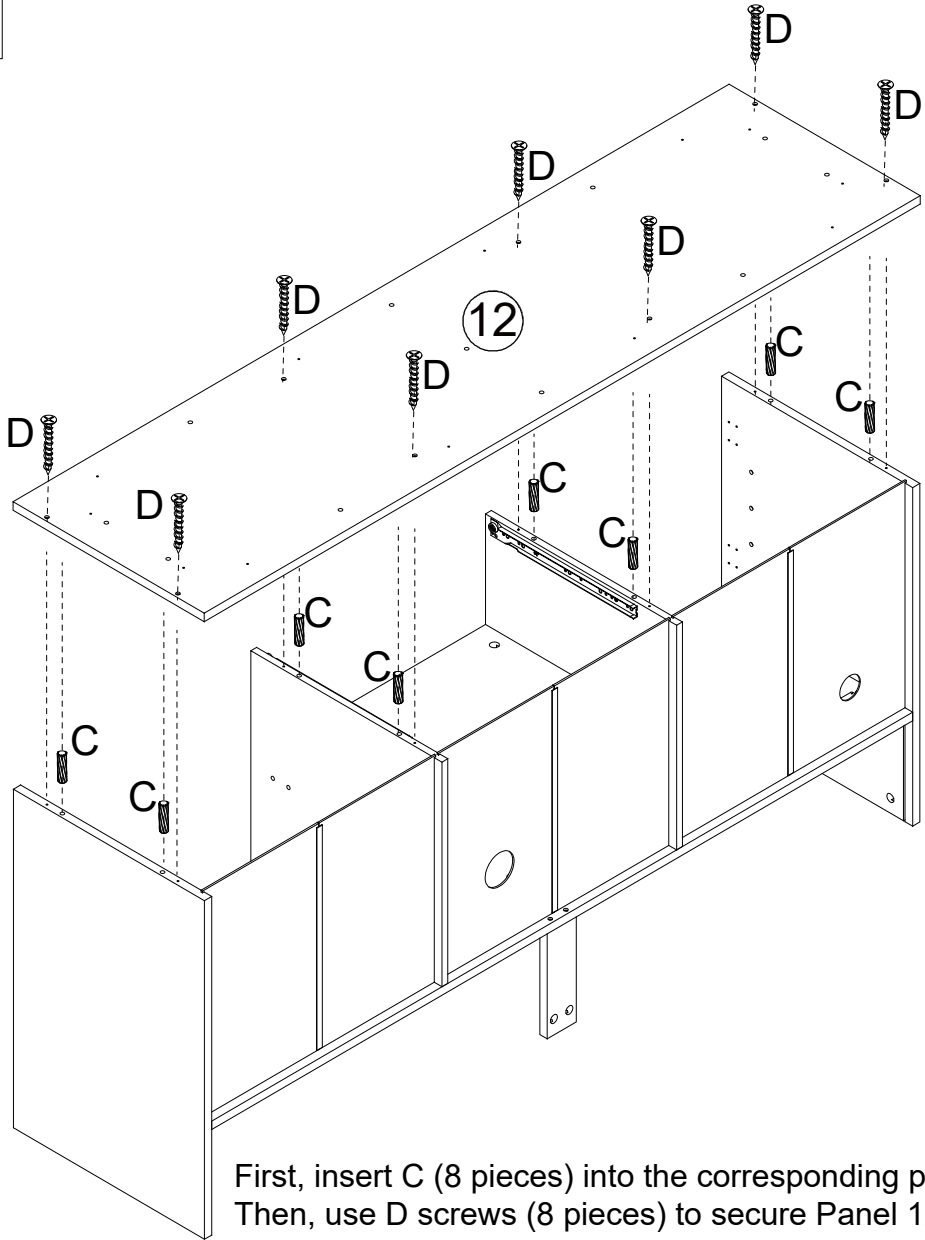
First, insert C (2 pieces) into the corresponding positions.
Then, use B screws (2 pieces) to secure Panel 7 to Panel 4.

10



Insert Panel 9 (1 piece), Panel 10 (3 pieces), Panel 28 (1 piece),
and Panel 29 (1 piece) into the corresponding slots as shown in the diagram.

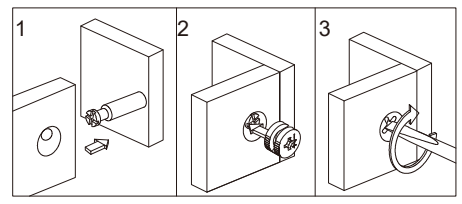
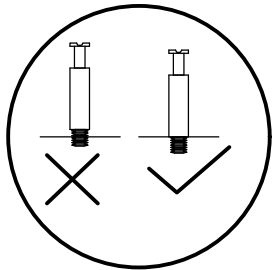
11



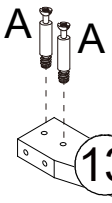
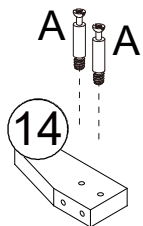
C	x8
D	x8

First, insert C (8 pieces) into the corresponding positions. Then, use D screws (8 pieces) to secure Panel 12 to the cabinet body.

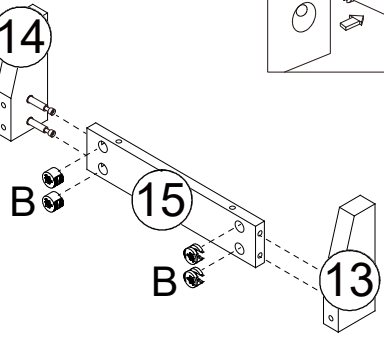
12



X 2



X 2



X 2

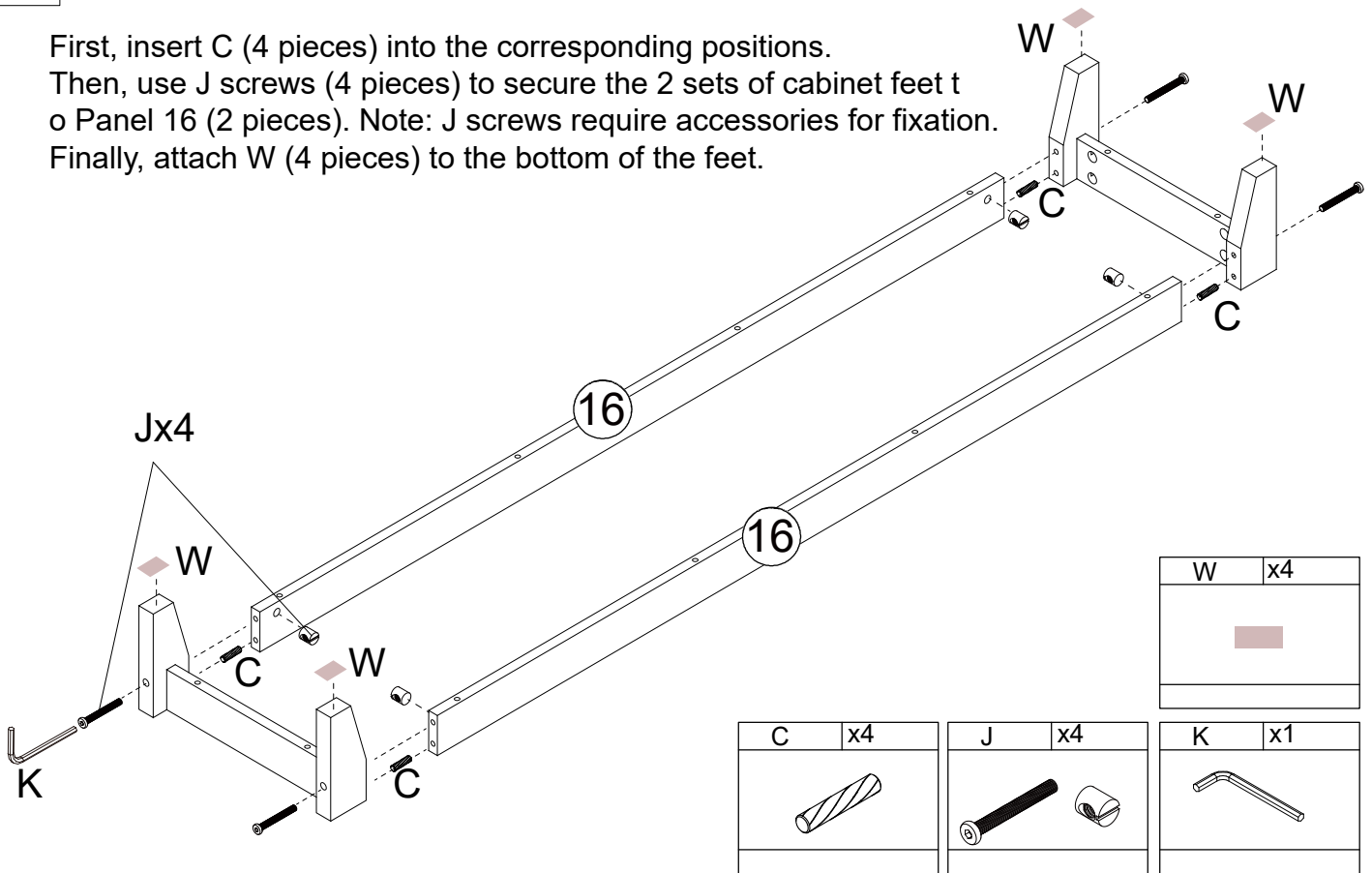
B	x8

A	x8

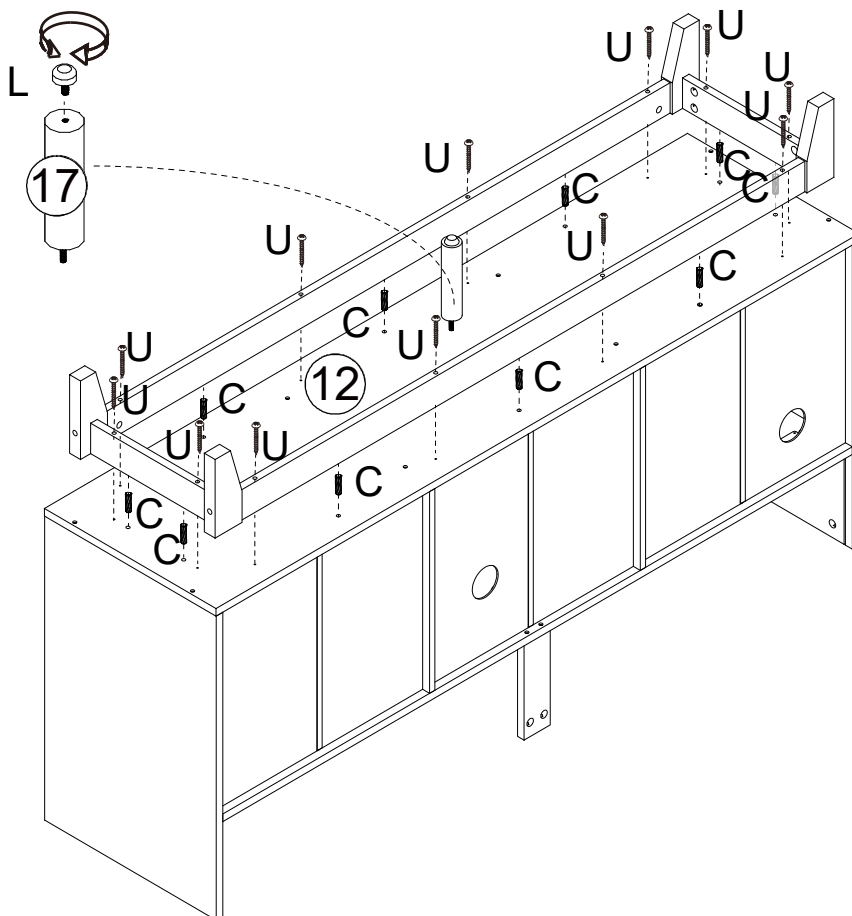
Screw A screws (2 pieces) into the corresponding positions on Panels 13 and 14 respectively. Repeat this process for 2 units of each panel. Then, use B screws (4 pieces) to secure Panels 13 and 14 to Panel 15. Repeat this process for 2 units of each assembly.

13


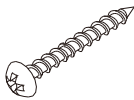

First, insert C (4 pieces) into the corresponding positions.
 Then, use J screws (4 pieces) to secure the 2 sets of cabinet feet to Panel 16 (2 pieces). Note: J screws require accessories for fixation.
 Finally, attach W (4 pieces) to the bottom of the feet.



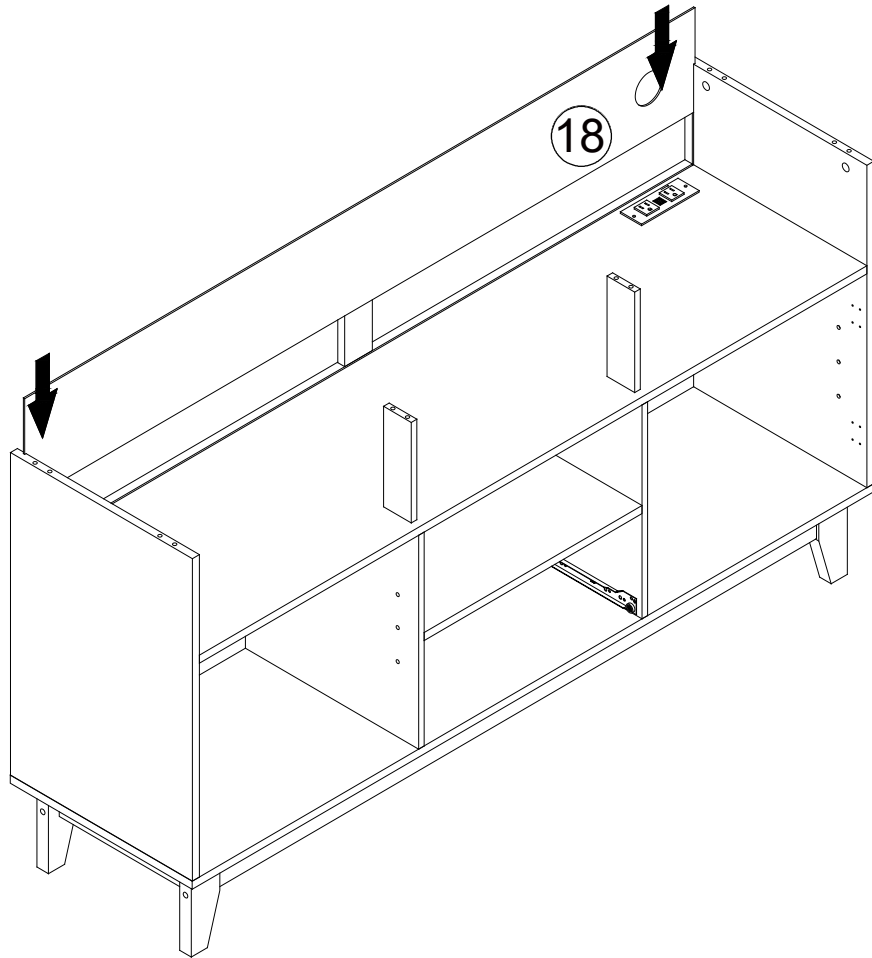
14



Insert C (10 pieces) into the corresponding positions.
 Then, use U screws (12 pieces) to secure the base assembled in the previous step to the cabinet body. Screw L into Panel 17, then screw Panel 17 into the corresponding position on the base panel.

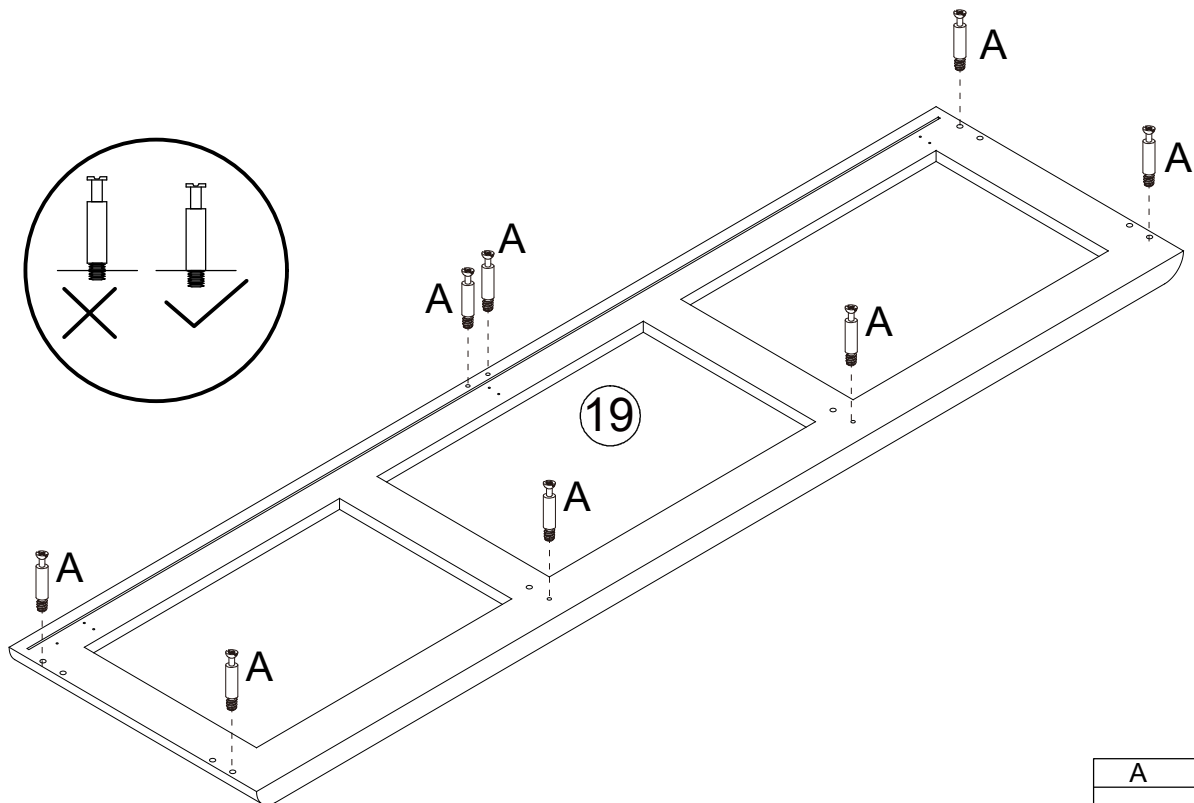
C	x10
	
U	x12
	
L	x1
	

15



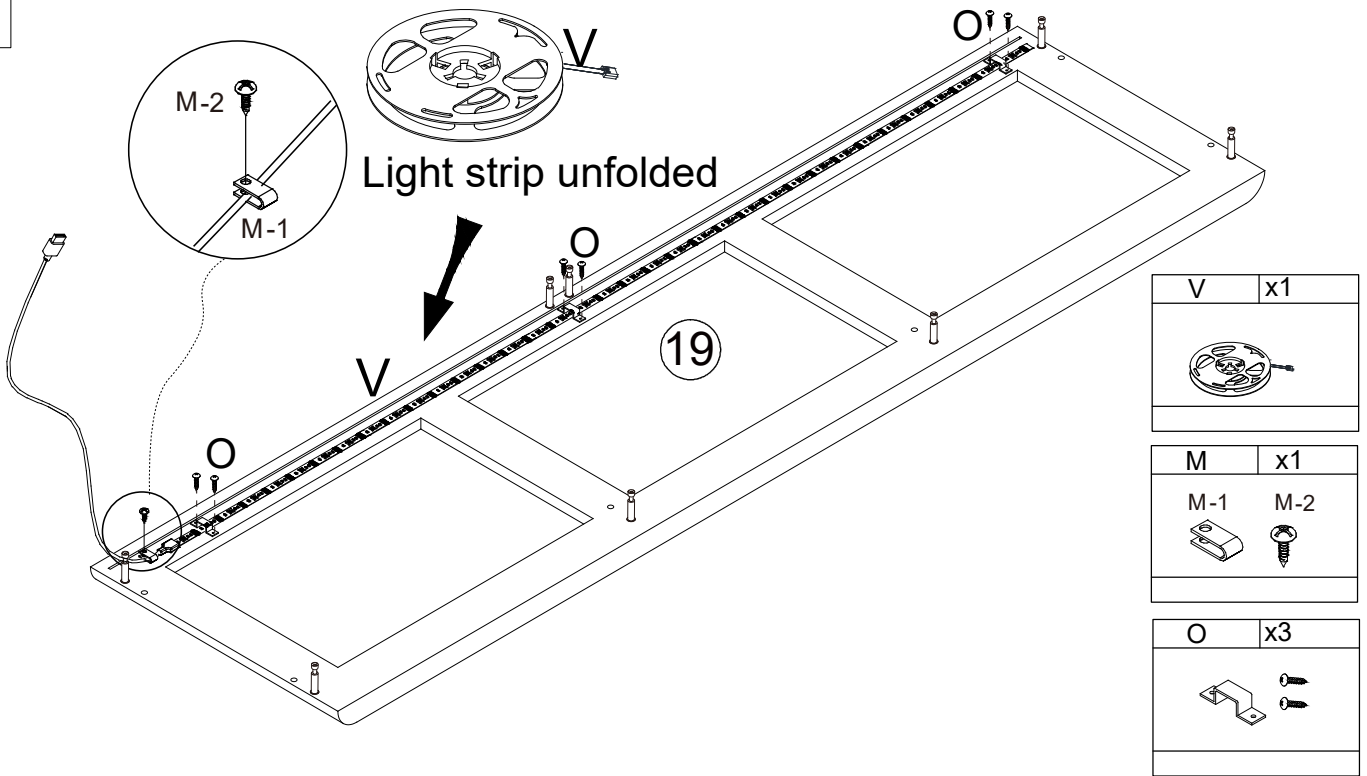
Insert Panel 18 into the corresponding slot as shown in the diagram.

16



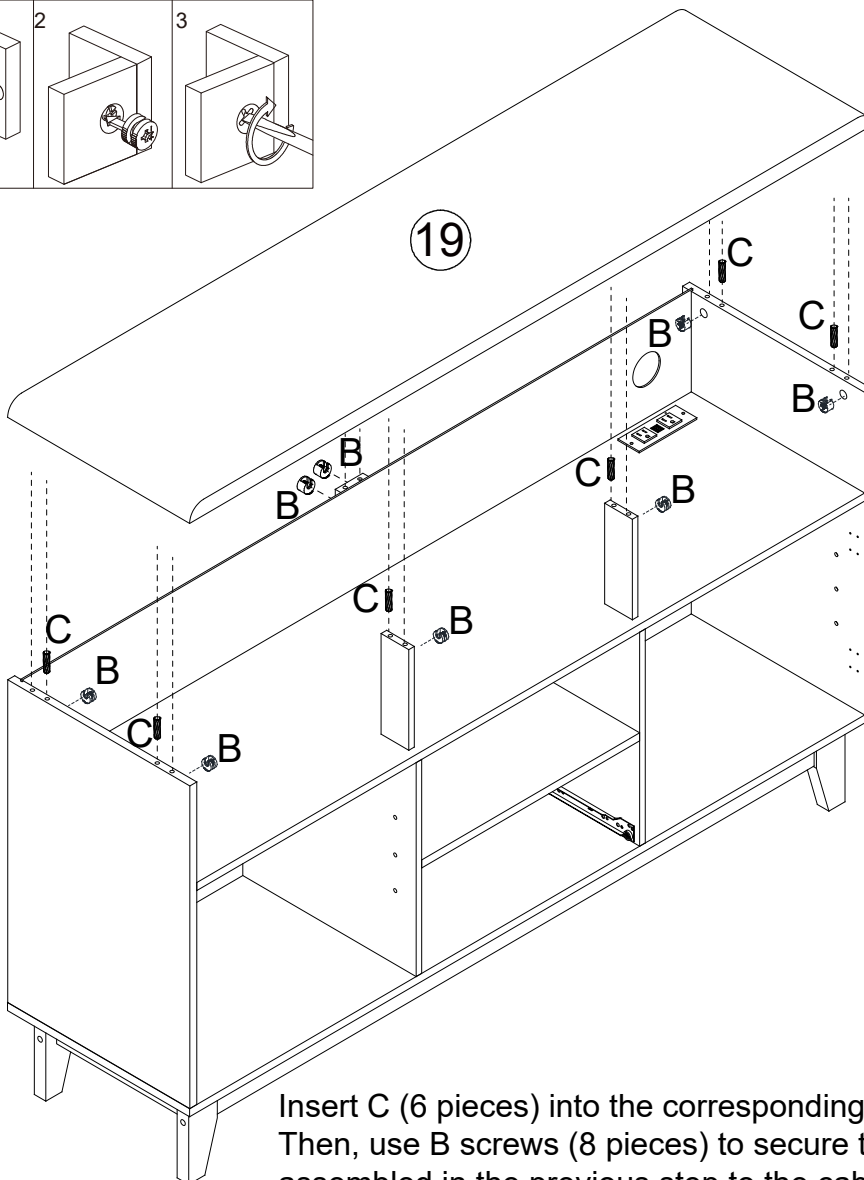
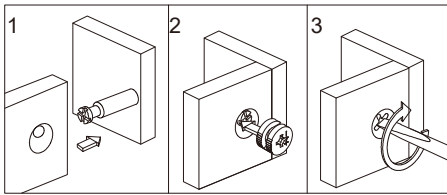
Screw A screws (8 pieces) into the corresponding positions on Panel 19.

17



Stick the light strip V onto the indicated position, and secure it using O (3 pieces) and M (1 piece).

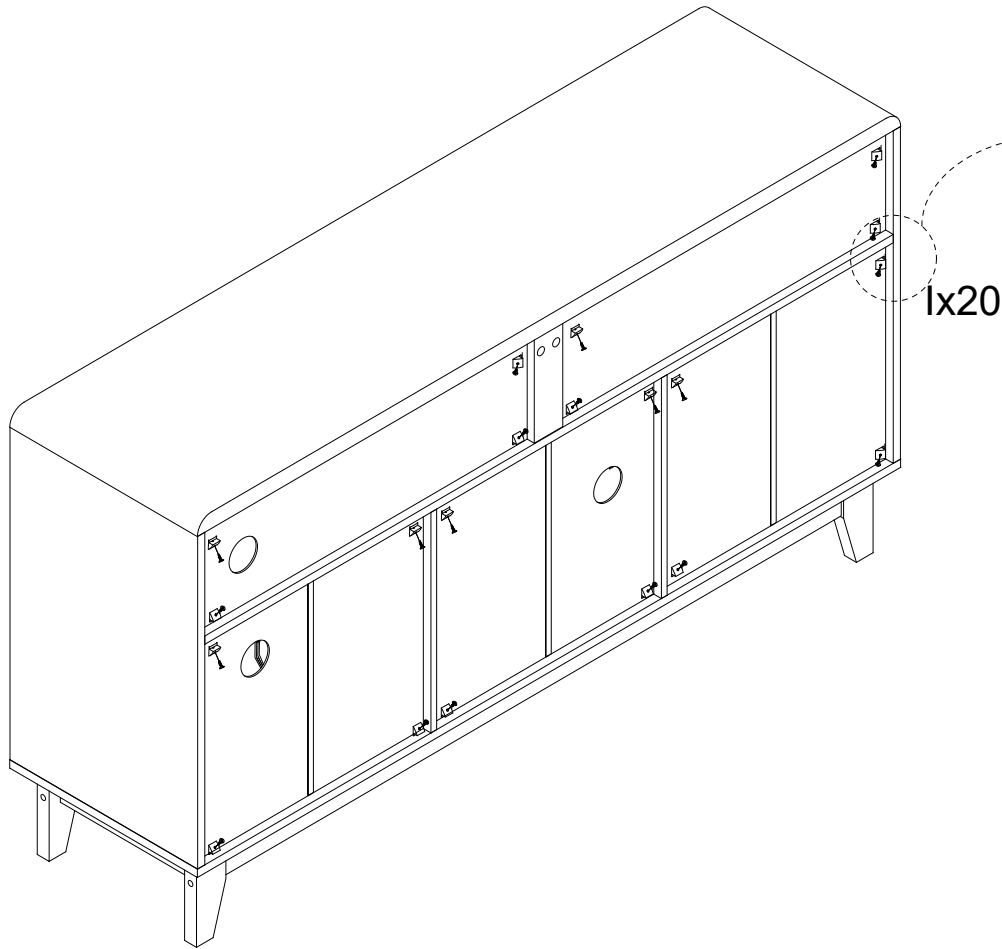
18



C	x6
B	x8

Insert C (6 pieces) into the corresponding positions. Then, use B screws (8 pieces) to secure the top panel (Panel 19) assembled in the previous step to the cabinet body.

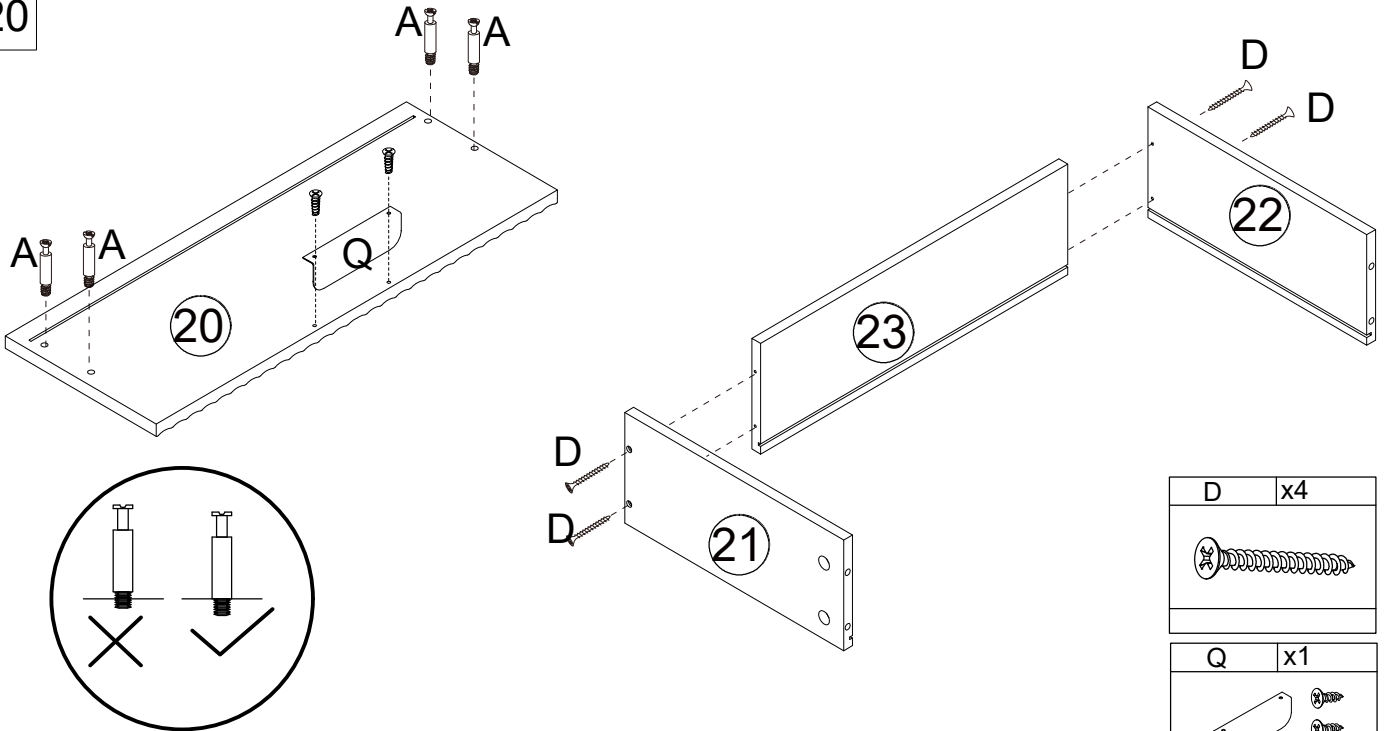
19



Next, move to the back of the cabinet. Use I (20 pieces) to reinforce the back panel to the cabinet body.

I	x20

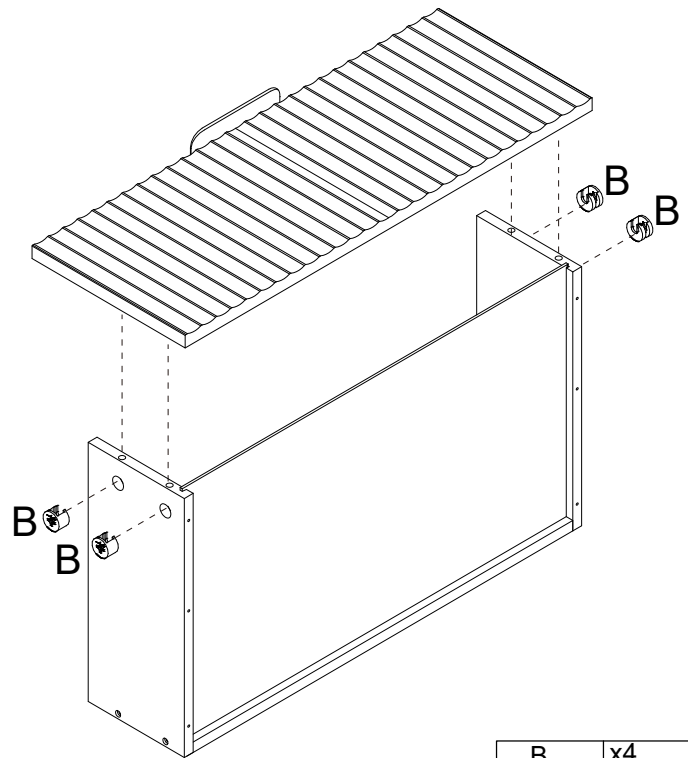
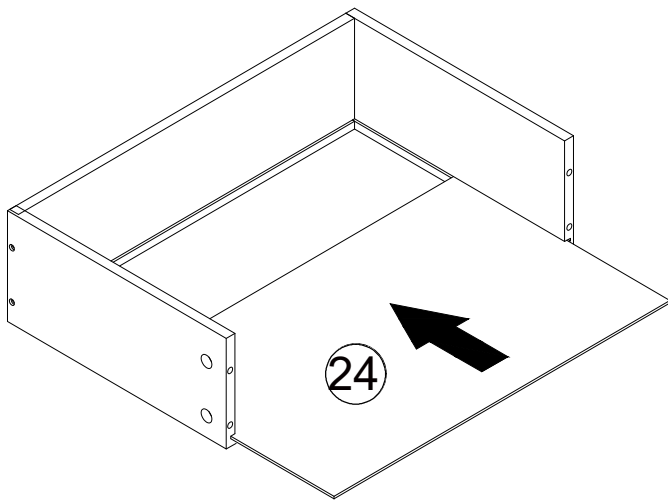
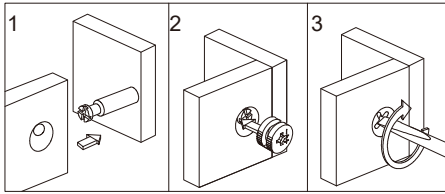
20



D	x4
Q	x1
A	x4

Screw A (4 pieces) into the correct positions on Panel 20, and attach the drawer handle Q. Secure Panels 21, 22, and 23 together using D screws (4 pieces).

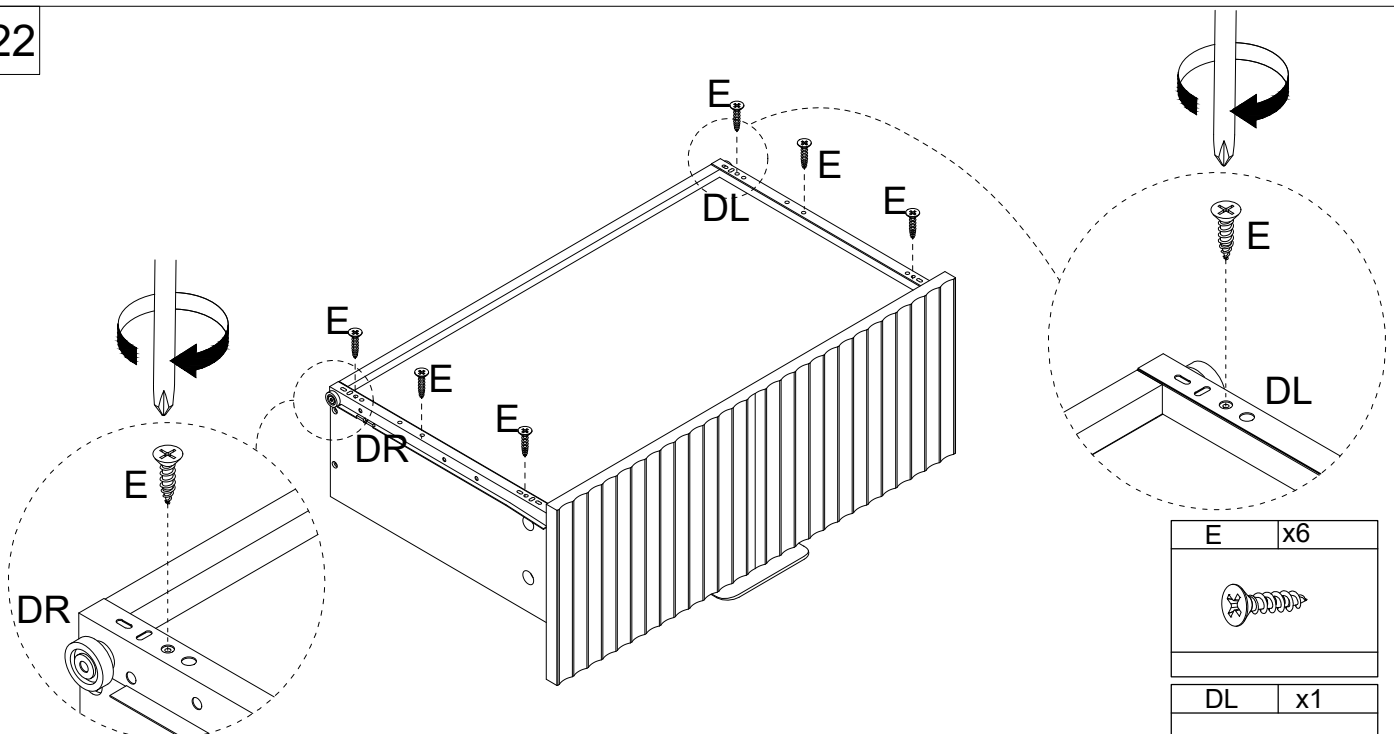
21



B	x4

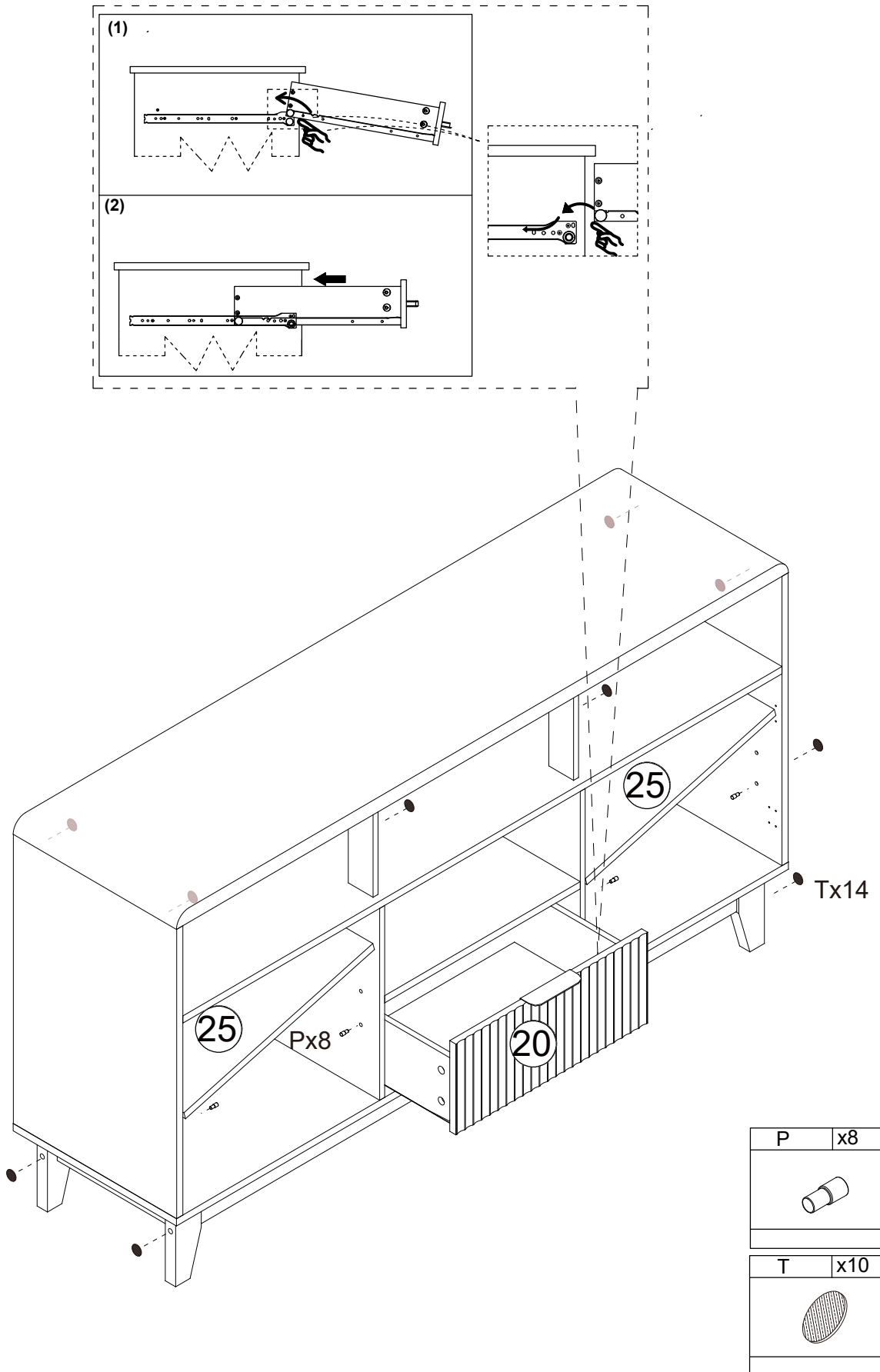
Insert Panel 24 into the corresponding slot as shown in the diagram. Secure the drawer front (Panel 20) to the drawer using B screws (4 pieces).

22



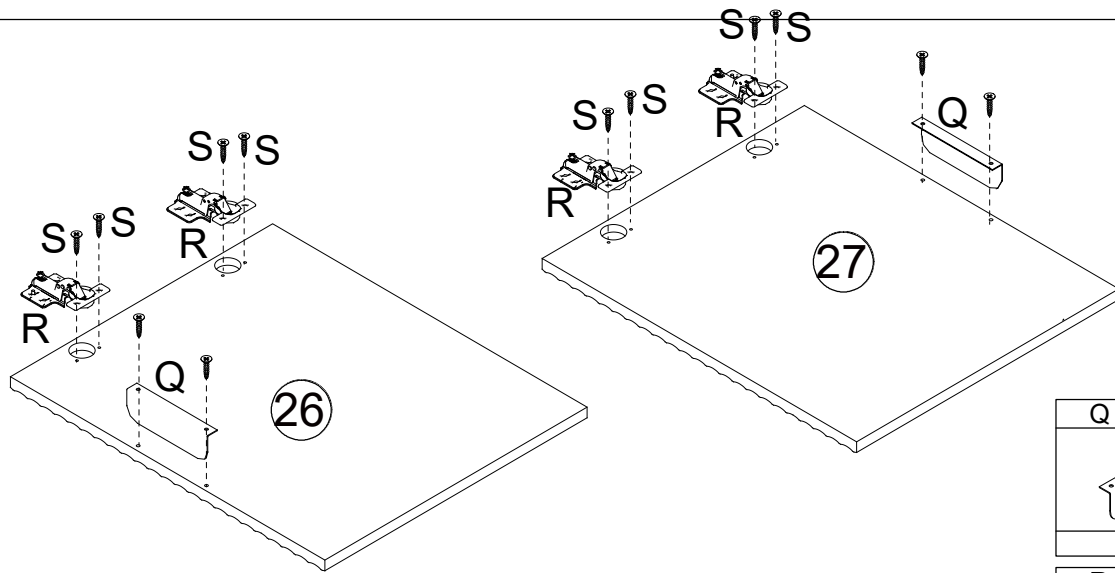
E	x6
DL	x1
L300mm	
DR	x1
L300mm	

Install the drawer bottom rails. Align the rails (pay attention to the orientation and markings as shown in the diagram) with the pre-drilled holes on the drawer bottom, and secure them using E screws (6 pieces).



Insert the assembled drawers into the cabinet as shown in the diagram. Insert part P (8 pieces) into the correct positions as indicated. Place Panel 25 (2 pieces) into the left and right spaces respectively. Finally, attach the hole stickers T (10 pieces) over the corresponding holes.
 [Note: Part P can be installed at a freely chosen height, but all 4 pieces must be installed at the same level.]

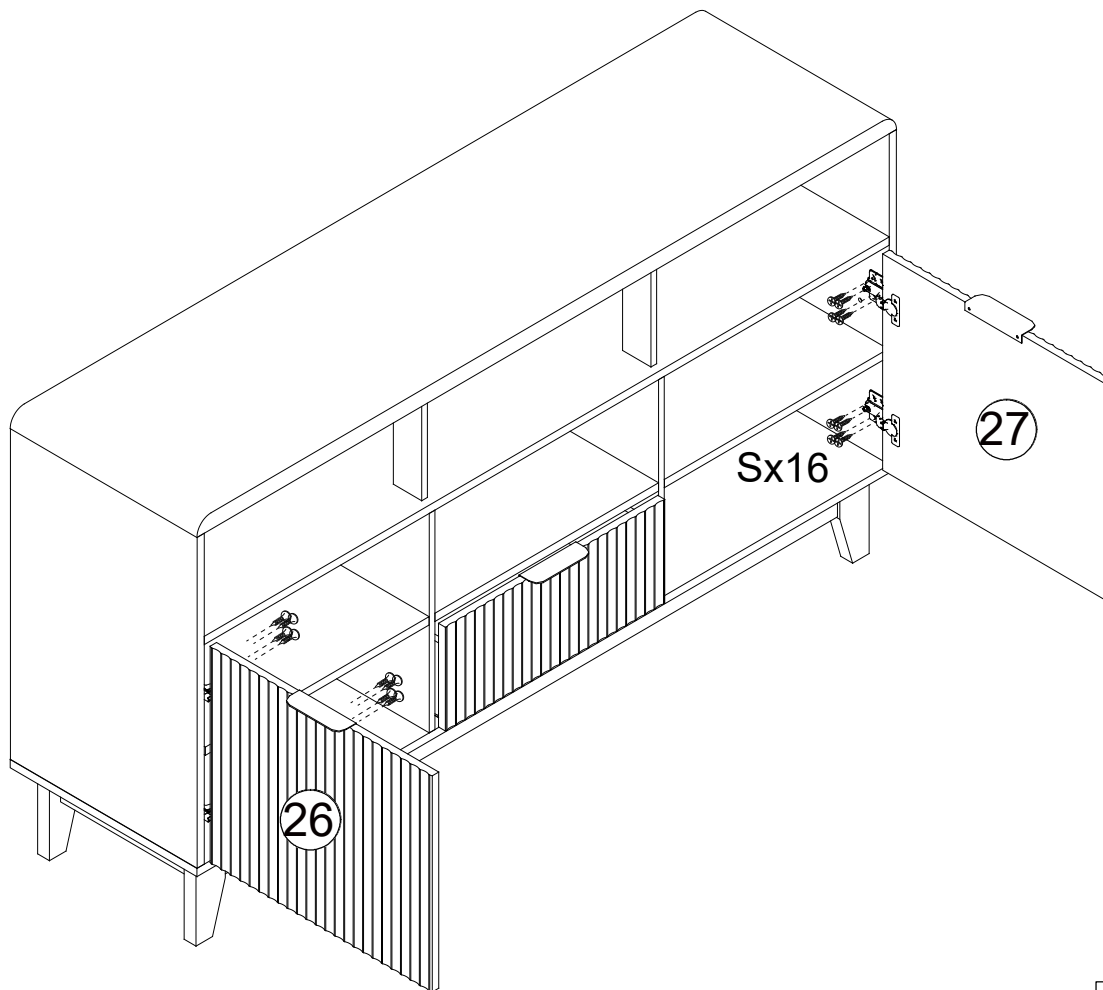
24



Q	x2
R	x4
S	x8

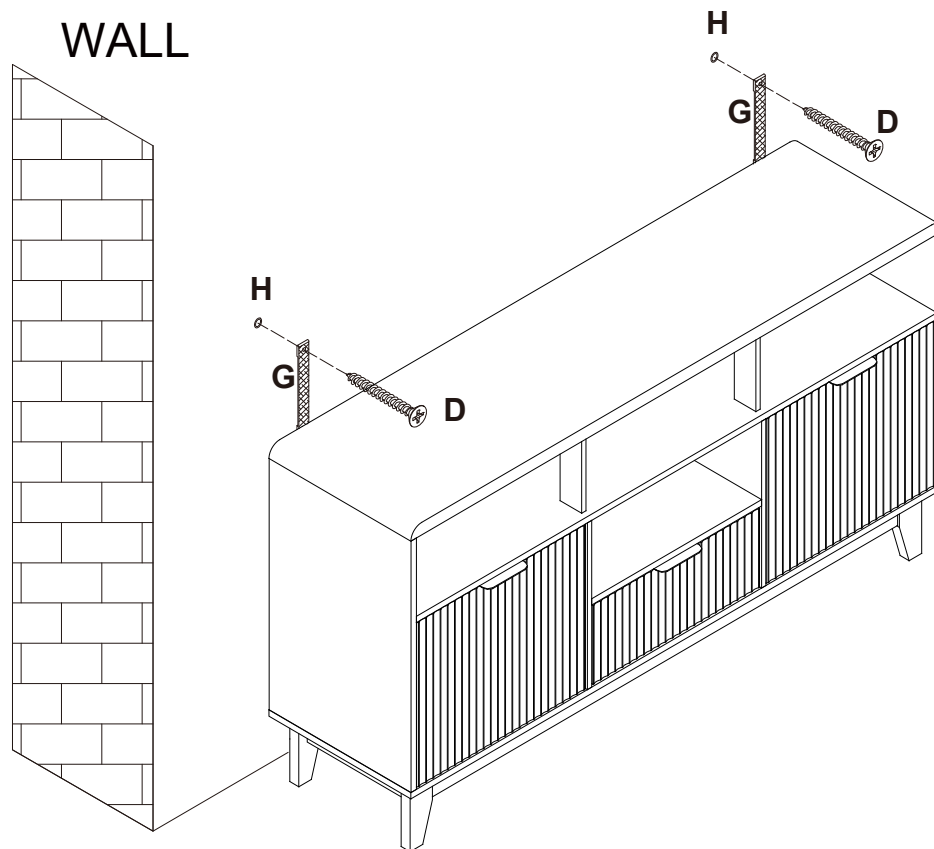
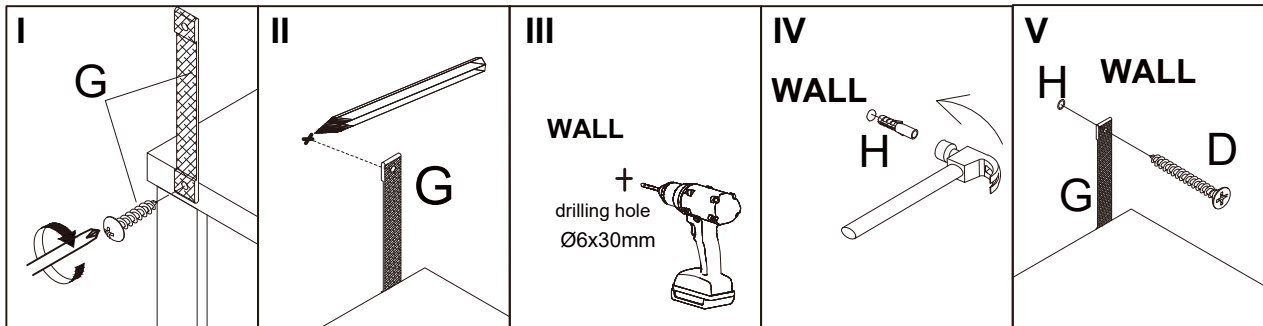
Insert the assembled drawers into the cabinet as shown in the diagram. Insert part P (8 pieces) into the correct positions as indicated. Place Panel 25 (2 pieces) into the left and right spaces respectively. Finally, attach the hole stickers T (14 pieces) over the corresponding holes. [Note: Part P can be installed at a freely chosen height, but all 4 pieces must be installed at the same level.]

25



S	x16

Use S screws (4 pieces) to fix R (2 pieces) onto Panels 26 and 27 respectively, and attach the handles Q to each.



This step aims to fix the cabinet to the wall.

I: use the corresponding screws to tighten the anti-dumping ligament strip G (2 pcs) in the corresponding positions.

II: First, align the ligament G with the position on the wall where it is to be fixed and preset and mark the points.

III: Use an electric drill to drill holes at the marked positions on the wall. The size of the holes should be suitable for the screws and should not exceed the size.

IV: Then use a hammer to insert the screw cap H into the wall hole.

V: Use screw D to embed and fix the ligament G alignment nut H.

Thank You!

For Your Purchase

Dear Customer,

Thank you for your recent order.

Each customer enjoys a one-year warranty. Once the warranty is activated, we promise to provide you with a risk-free experience, please contact us to register and activate it.


Contact us before a refund/ return to open the fast track. We're online 24 hours a day.

Have a wonderful day!

Contact us to unlock benefits

- ✓ Activating the One-year Warranty
- ✓ Viewing the Installation Video
- ✓ Getting a \$5-\$15 Gift Card / Salt Lamp
- ✓ Joining the New Product Trial Program

Please kindly contact us in time if you need customer service.

 +1 7402568754

 service_April@163.com

Thanks again for your purchasing!