

CONTENTS

01	WARNING	01
02	SAFETY INFORMATION	01
03	ASSEMBLY PARTS AND TOOL	02
04	ASSEMBLY INSTRUCTIONS	03
05	PRODUCT FEATURES	13
06	LIMITED WARRANTY	15

WARNING

Please read the instructions carefully and follow the assembly steps.

To ensure proper assembly, please follow all steps and use all parts provided. Not following this warning may result in serious injury to you or others.

To prevent misalignments, keep the screws loose and do not tighten them until they are all in their correct positions.

Avoid overtightening or forcing the screws, as this could cause them to break, strip, or damage the threads of the holes.

Using the wrong size of screws for a particular part could cause damage to the screw or the part.

Please lubricate all moving parts regularly and tighten all bolts and screws every 6 months, or as needed.

SAFETY INFORMATION

WEIGHT CAPACITY FOR SEATING: 300LBS



Sit in the center of the chair with your back against the backrest



Do not sit at the front edge of the chair



Do not stand on the chair



Do not use the chair with more than one person



Do not push the chair around when a person is sitting in it



Do not push down on the backrest when a person is reclined

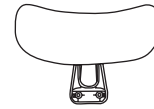


Do not place all your weight on the backrest only

ASSEMBLY PARTS AND TOOL

PLEASE MAKE SURE ALL THE PARTS ARE INCLUDED.

A



Headrest *1

B



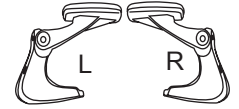
Back Cushion*1

C



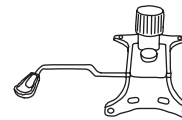
Seat Cushion *1

D



Arms*2

E



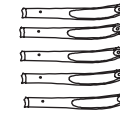
Seat Plate*1

F



Gas Lift *1

G1



Base Leg *5

G2



Star Base *1

G3



Deco-ring *1

H



Caster *5

I



Plastic Cap *1

J



Round Plastic Cover *4

K



Bolts M6X14mm *5

L



Bolts M6X18mm *6

M



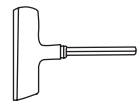
Bolts M6X25mm *4

N



Bolts M6X45mm *4

O



Wrench *1



BEFORE YOU GET STARTED, A FEW POINTERS:



Having a friend to help makes assembly extra-easy

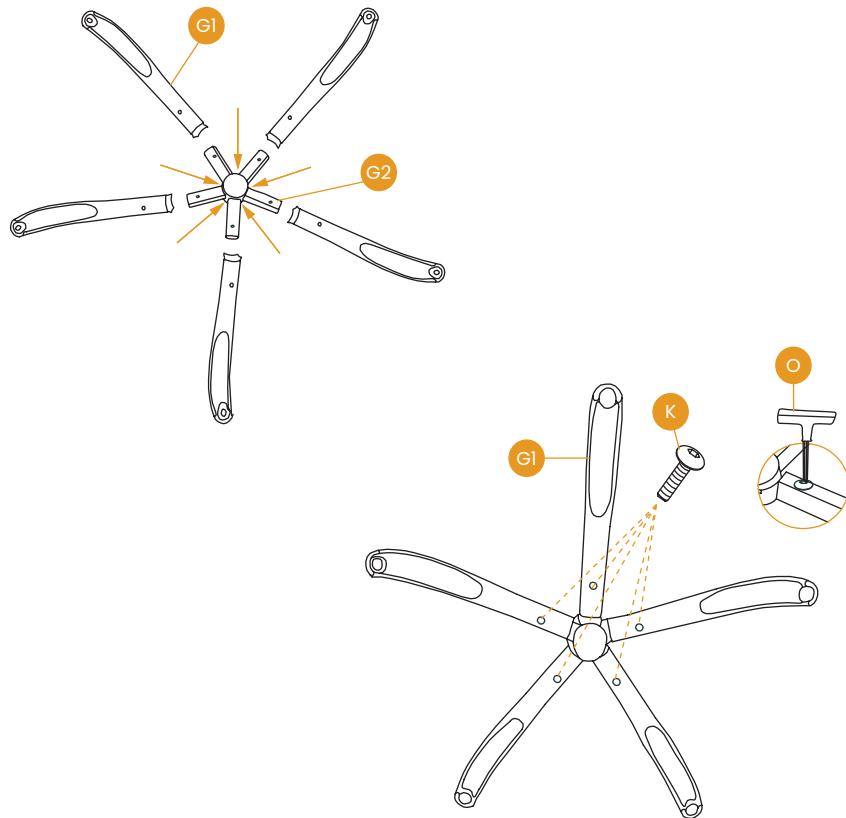


Mind the important safety information

ASSEMBLY INSTRUCTIONS

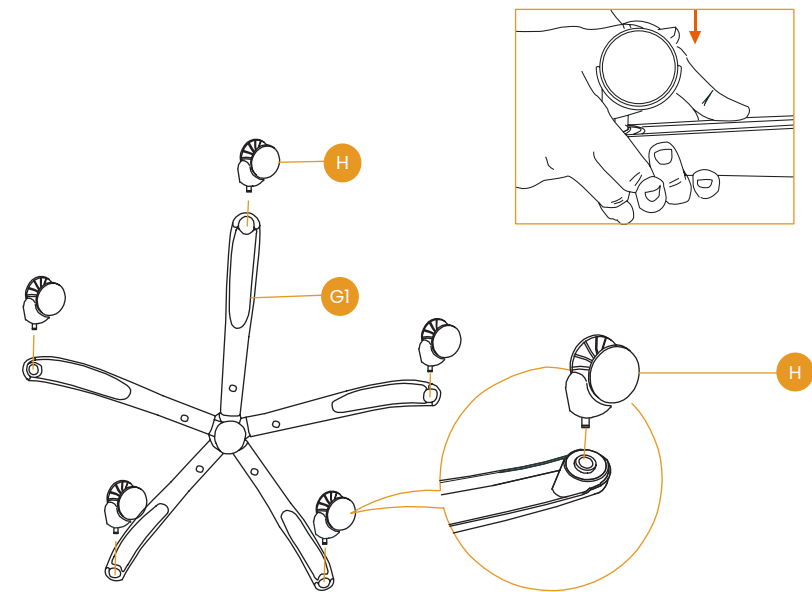
Tips: Please do not 100% tighten all the bolts until the chair is fully assembled, just 50% is OK, make it has space to adjust the chair.

STEP 1 Attach Five Base Leg G1 to Star Base G2, using Five M6*14mm Bolts K, tighten by Wrench O.



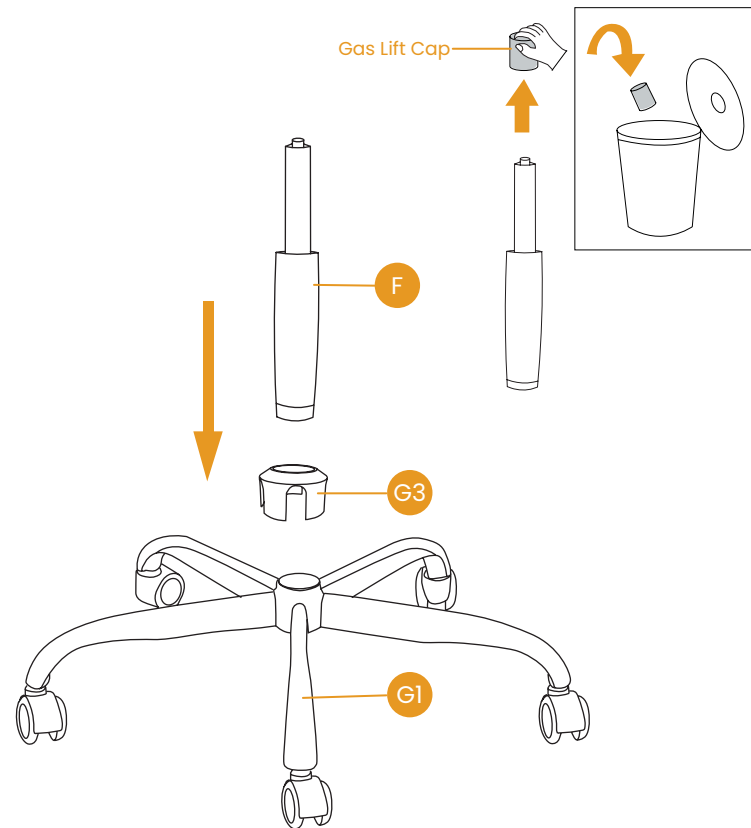
ASSEMBLY INSTRUCTIONS

STEP 2 Turn the five-star base upside down, press Five Casters H into the holes at the end of each base leg.



ASSEMBLY INSTRUCTIONS

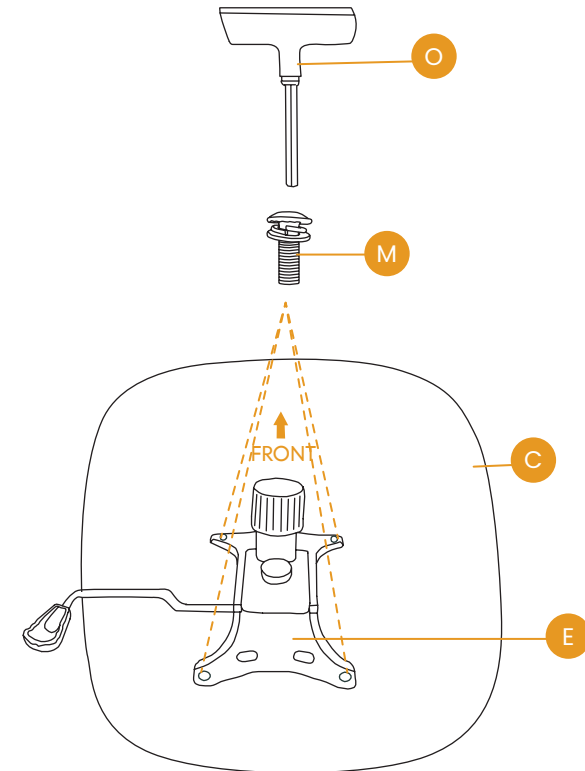
STEP 3 Insert Deco-ring G3 and Gas Lift F into Star Base G2.



ASSEMBLY INSTRUCTIONS

STEP 4 Attach Seat Plate E to Seat Cushion C, using Four M6*25mm Bolts M and tighten by Wrench O.

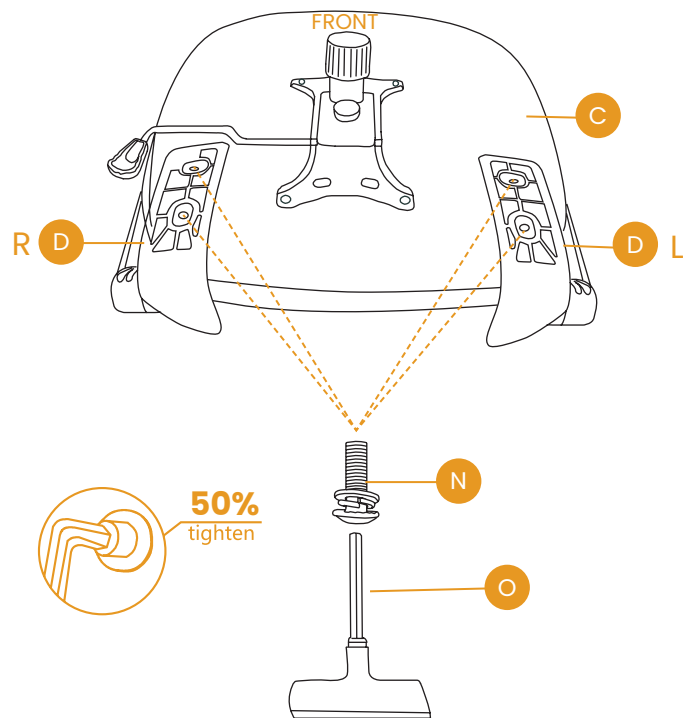
Note: Place the seat plate according to sticker instructions.



ASSEMBLY INSTRUCTIONS

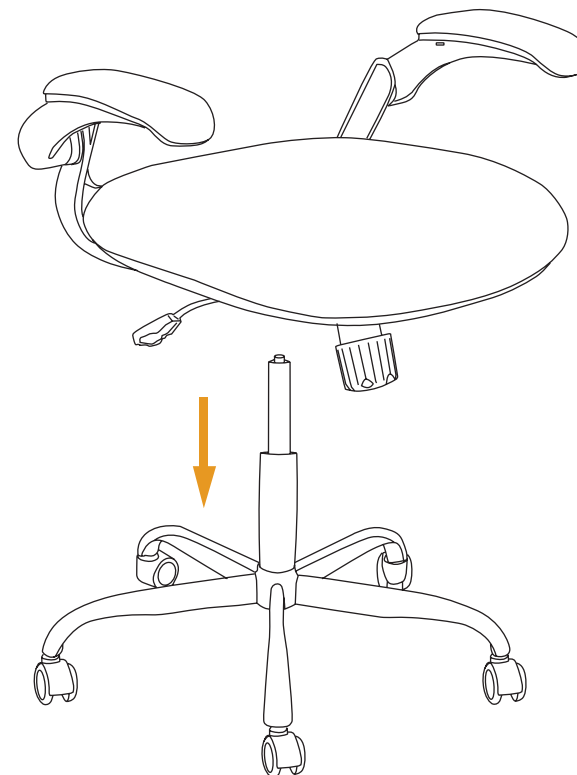
STEP 5 Attach Arms D to Seat Cushion C, using Four M6*45mm Bolts N, tighten to 50% by Wrench O.

Note: Arms are marked with Letter "L" (left) or "R" (right) to show which sides they should be placed on.



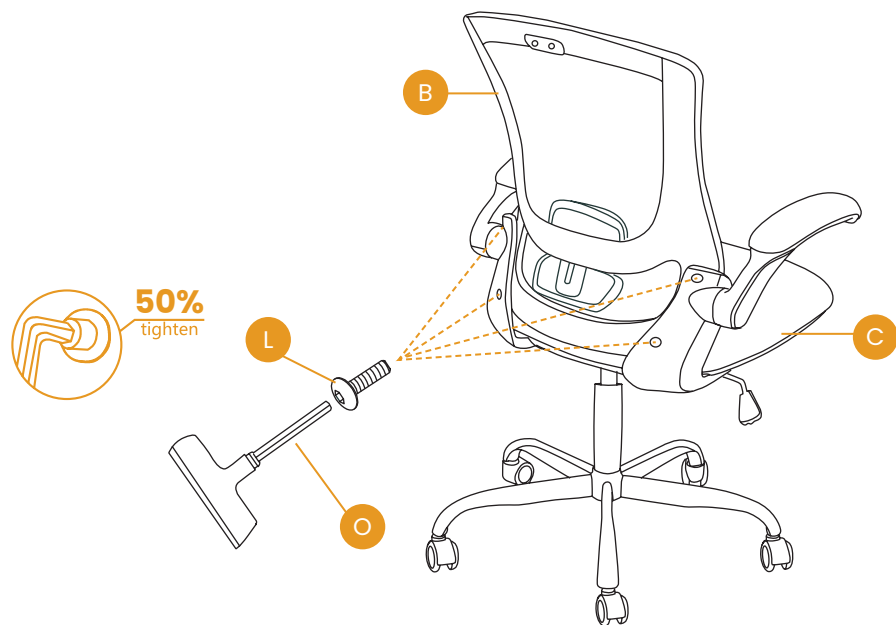
ASSEMBLY INSTRUCTIONS

STEP 6 Push the seat part down onto finished base firmly until the connection is secure.



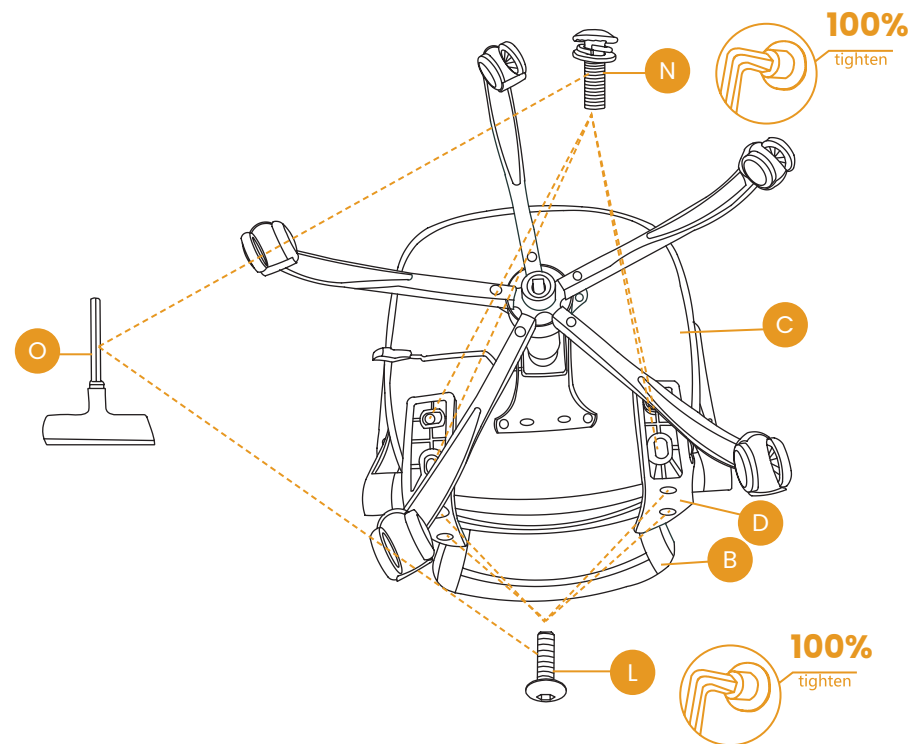
ASSEMBLY INSTRUCTIONS

STEP 7 Align the slots on Back Cushion B and Arms D, using Four M6*18mm Bolts L, tighten to 50% by Wrench O.



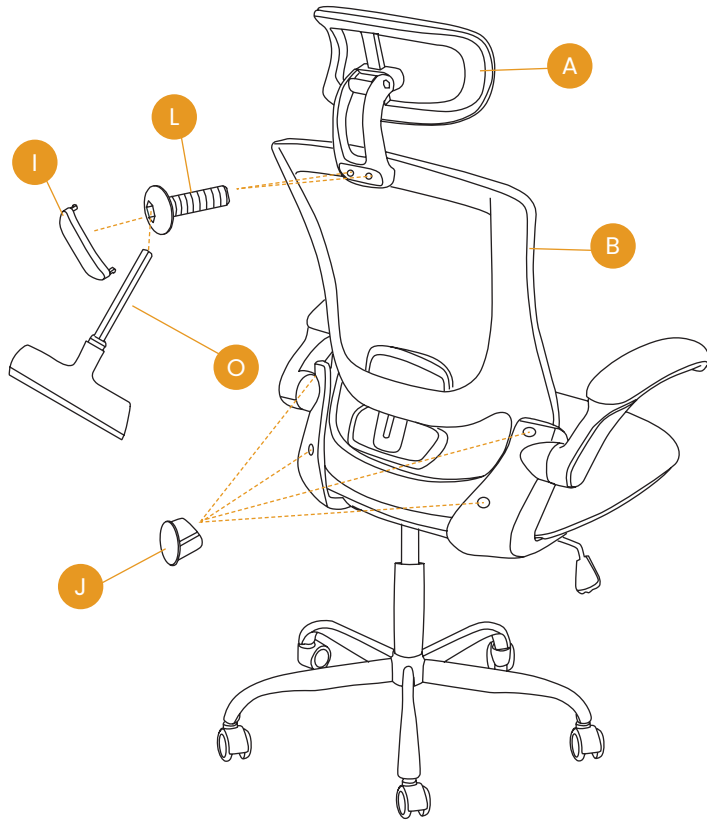
ASSEMBLY INSTRUCTIONS

STEP 8 Then tighten Bolts N and Bolts L to 100%.



ASSEMBLY INSTRUCTIONS

- STEP 9** Attach Headrest A to Back Cushion B, using Two M6*18mm Bolts L, tighten by Wrench O. Then press firmly to place Plastic Cap I and Round Plastic Cover J over Bolts L



ASSEMBLY INSTRUCTIONS

- STEP 10** Now your chair is successfully assembled.



PRODUCT FEATURES

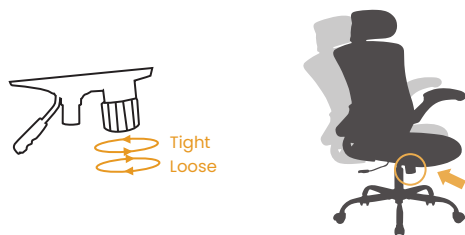
Pneumatic Seat Height Adjustment

Pulling the lever upwards enables height adjustment of the seat, then the seat can be locked at a fixed height by releasing the lever.



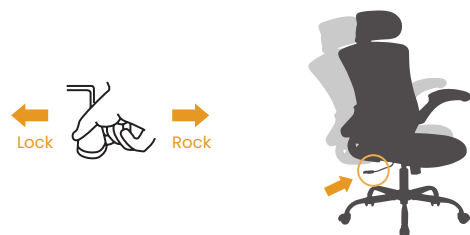
Rock Tension Adjustment

Simply adjust the knob counterclockwise to tighten the tension of rocking. Or loosen the tension by turning the knob clockwise whenever needed.



Seat Back Locking Mechanism

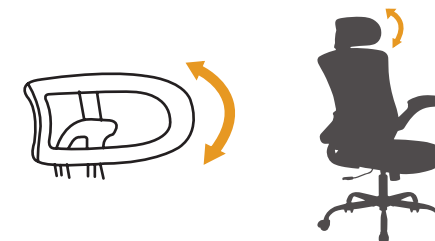
Simply press the lever down to lock the seat in an upright position.



PRODUCT FEATURES

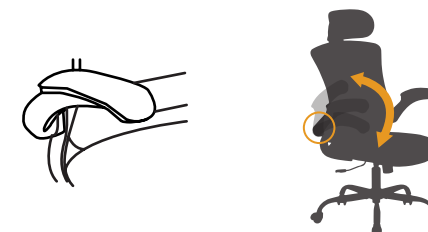
Headrest Angle Adjustment

While seated, simply rotate the headrest to the angle that you feel most comfortable.



Foldable Arm

Pull the armrest upward to fold it, and pull down the armrest to restore it.



LIMITED WARRANTY

promises to repair or replace any chair that is found to be defective in material or workmanship within one year from the date of original purchase, as long as you, the original purchaser, still own it. This is your sole and exclusive remedy under this warranty, subject to the provisions outlined below.

EXCLUSIONS

This warranty does not apply to, and no other warranty applies to:

- Normal wear and tear, which is to be expected over the course of ownership.
- Misuse, abuse, or excessive use of the product.
- Modifications or attachments to the product that are not approved
- Products that were not installed, used, or maintained in accordance with the product instructions and warnings.
- Products used for rental purposes or unauthorized retail activities.

Seating Usage: Normal use for seating is defined as equivalent to a single shift, forty-hour (40) workweek. If the seating product is used in a manner exceeding this, the applicable warranty period will be proportionately reduced.

RETURN POLICY

We offer a 30-day return policy, meaning that all products purchased through this website may be returned to us within that timeframe. You must contact us within 30 days of receiving the product(s), and they must be returned to us without any undue delays.

CONDITIONS:

- Returned products must be in the same condition as received and returned in their original packaging.
- If the product is not faulty (i.e., if you change your mind or are unhappy with the product for another reason), you are responsible for the cost of return shipping. You must ensure the package arrives safely to us, so we recommend using a courier service that offers tracking.

LIMITED WARRANTY

- If the product is faulty when received, please contact us, and we will assist you with the return, covering the shipping costs in this case.
- We reserve the right to offer partial refunds for returned products that are not in unused condition, are damaged, or have missing parts not due to our error.

HOW RETURNS WORK

To request a return, please fill out the contact form on our website and attach a copy of your invoice as proof of purchase, along with the reason for the return.

We will provide the return address for the product as soon as possible. Once the returned product is received and inspected, we will provide a specific resolution.

If the return is approved, the refund amount will be automatically credited to your original payment method.

MAINTENANCE INSTRUCTIONS



Dust and clean up spills immediately using a clean, non-colored, lint-free cloth.



Use a mild soap solution and a damp cloth to remove stains.



Do not place hot items directly on the furniture surface without using a protective barrier.



For indoor use only. Do not place the furniture outside.



Do not place furniture in direct sunlight.



Do not write on the furniture surface without a padded barrier to protect it.



Do not clean furniture with harsh cleaners or polishes.



Do not place furniture near heating or cooling vents (keep at least 3 feet away)