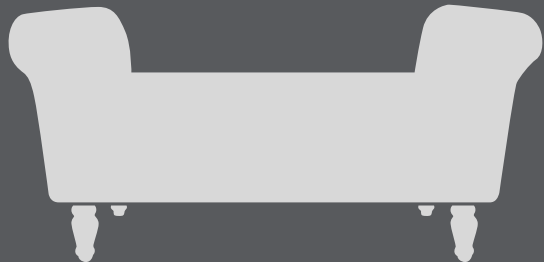


Ottoman

ASSEMBLY
INSTRUCTION



Dear customer, Thank you very much for buying our items. Please read the assembly instruction carefully before assembly.

Notices:

- Verify that all parts are present and in good condition before assembly.
- Put the ottoman on a clean flat surface.
- Please tighten the screws to about 80% for the first step; Then, sit with caution on the ottoman to adjust the balance; Finally, tighten all the screws to 100%.

Contact us

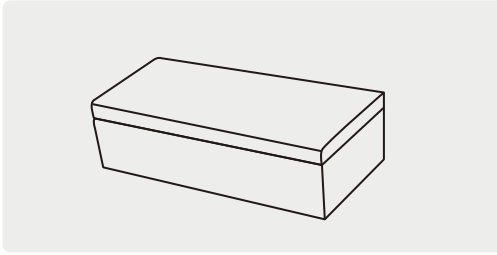
If there are installation problems, damage, missing parts, or any questions and concerns, please contact the shop where you bought it so we can make things right.

If the product is damaged, please send the following information:

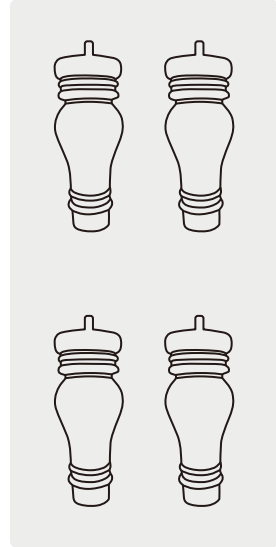
- Photos that show the reason for your claim/damage.
- Photos of the packaging (inside and outside).

Thank you very much for your support!

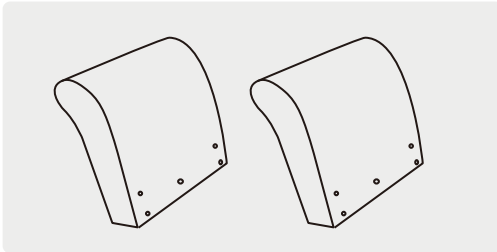
Package Contents



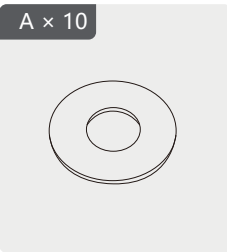
Seat



Legs



Armrest



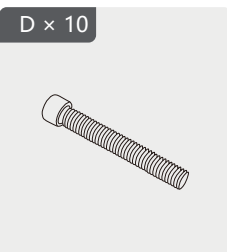
Big Washer



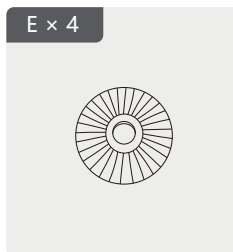
Spring Washer



Spanner



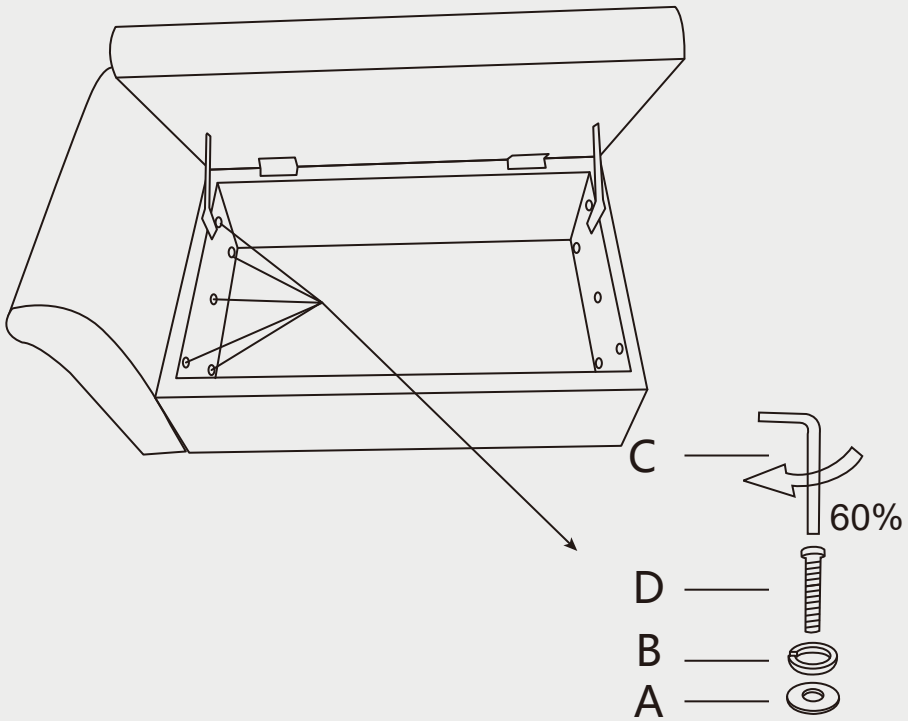
M8x55mm
Screws



Gasket

Step by Step Guide

1



Open the ottoman lid, take the legs and screws out.

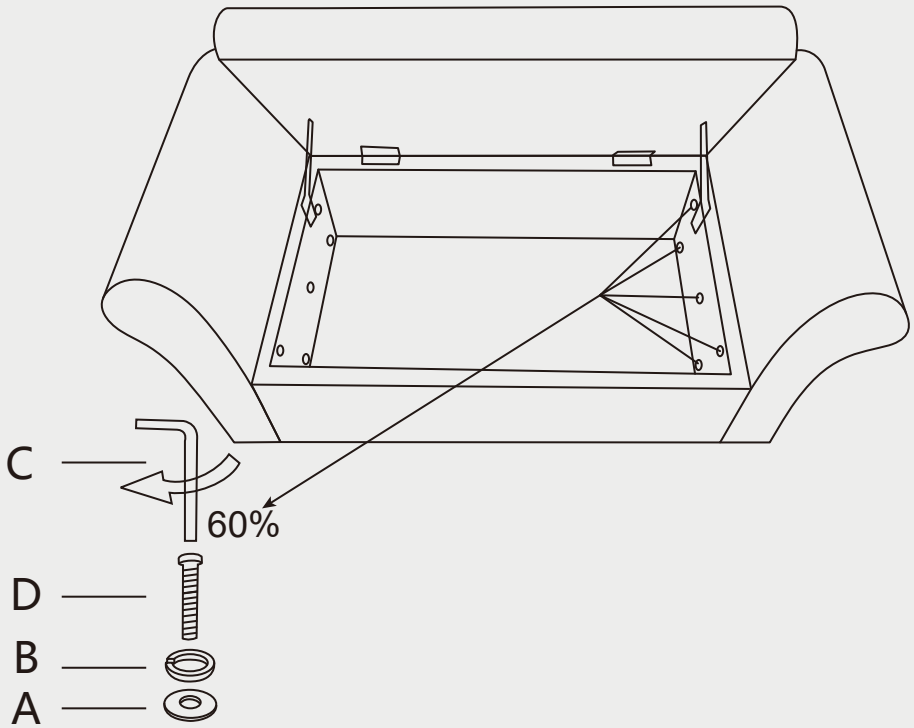
Align the five screws of the armrest and seat cushion from the inside out by using the screw (D) with washers (#A, B).

Tighten all 4 screws up to 60-80% at the same time.

The other side is also assembled in the same way.

Step by Step Guide

2

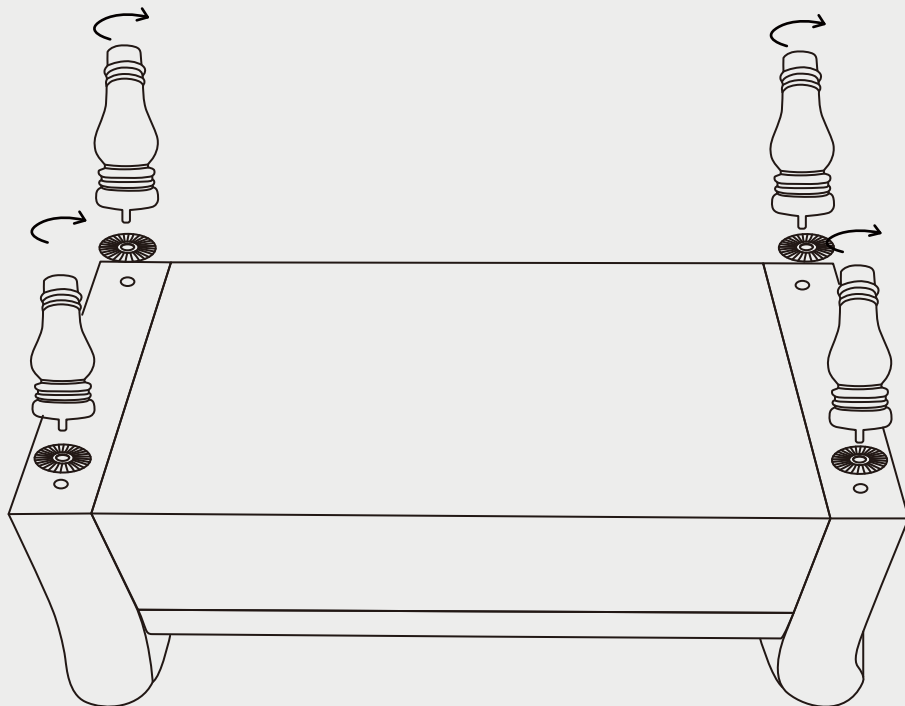


Align the five screws of the armrest and seat cushion from the inside out by using the screw (D) with washers (#A, B).

Tighten all 4 screws up to 60-80% at the same time.

Step by Step Guide

3

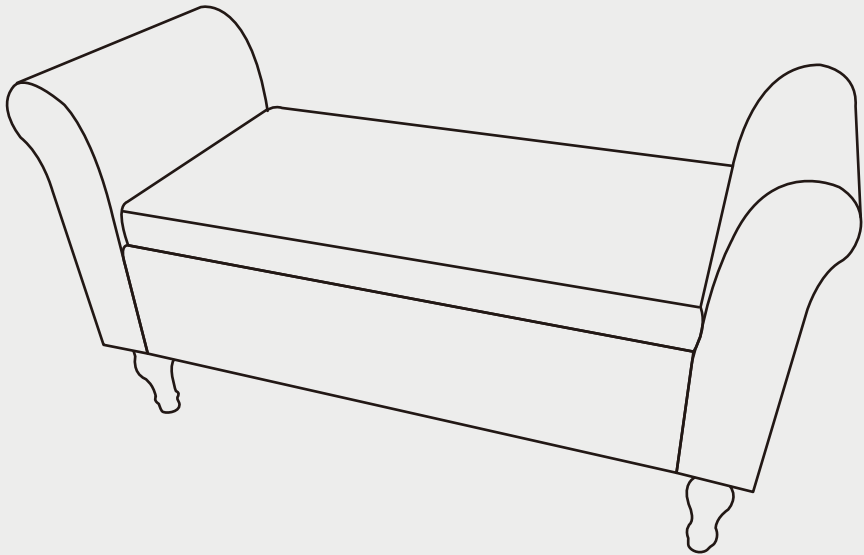


Align the holes of the ottoman bottom and tighten 4 legs (the screws are fixed to the legs).

Be sure all of the legs tighten up to 100%.

Step by Step Guide

4



Tighten all the screws up to 100%.

Then close the lid of the ottoman.

Sit on the ottoman, and check whether the bench is steady or not.

If not, please check all of the screws are tightened.