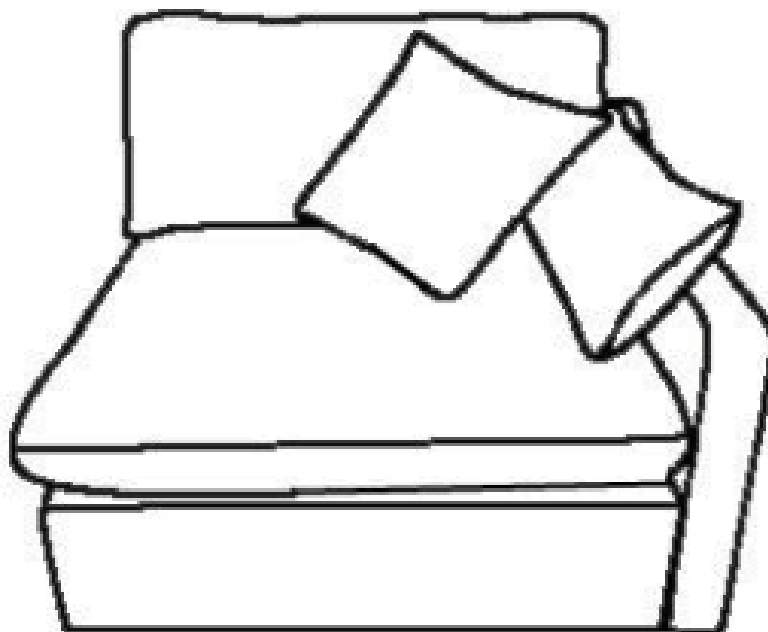


ASSEMBLY INSTRUCTIONS



**RAF
CHAIR**

ASSEMBLY INSTRUCTIONS

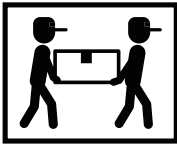
ASSEMBLY TIPS:

1. Remove hardware from box and sort by size.
2. Please check to see that all hardware and parts are present prior to start of assembly.
3. Please follow attached instructions in the same sequence as numbered to assure fast & easy assembly.



WARNING!



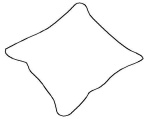

1. Don't attempt to repair or modify parts that are broken or defective. Please contact the store immediately.
2. This product is for home use only and not intended for commercial establishments.



ASSEMBLY TIME

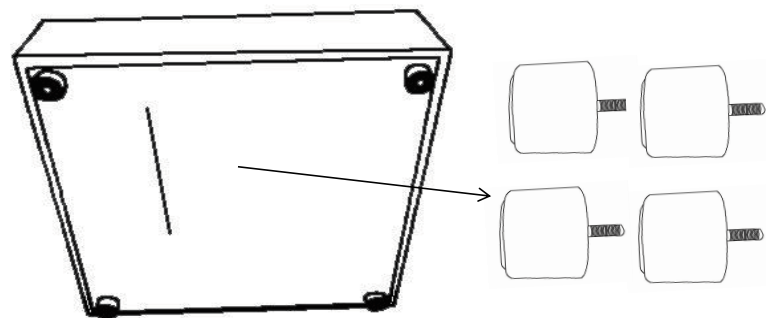
5 MINUTES

PARTS IDENTIFICATION

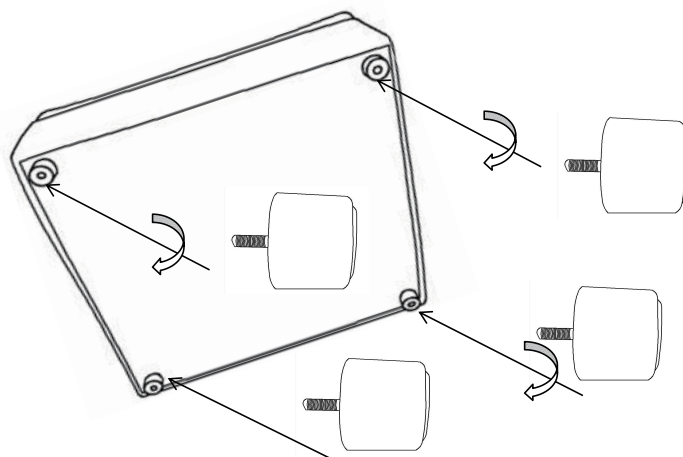
	PART NAME	FIGURE	QUANTITY
I	RAF ARMLESS CHAIR BASE		1PC
J	LEG		4PCS
K	PILLOW		1PC
L	ARM PILLOW		1PC

ASSEMBLY INSTRUCTIONS

STEP 1



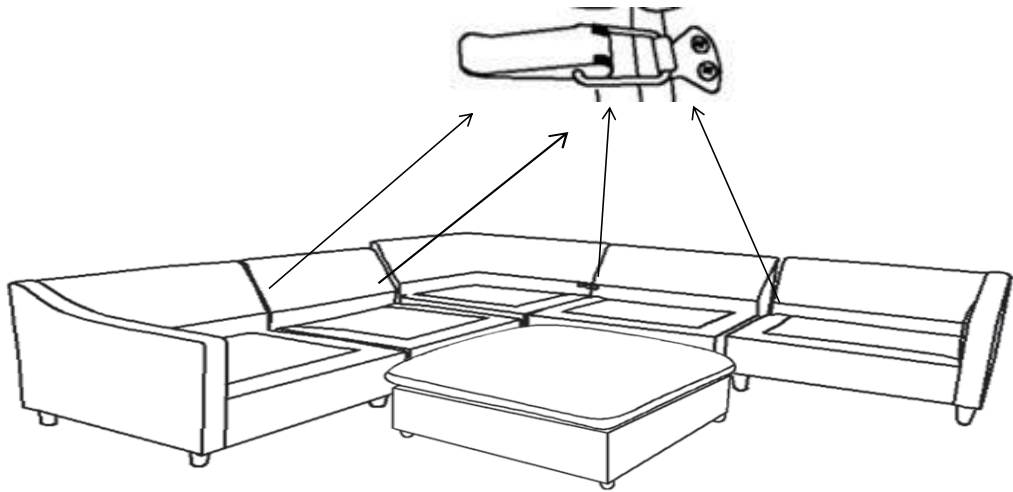
STEP 2



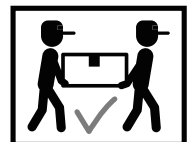
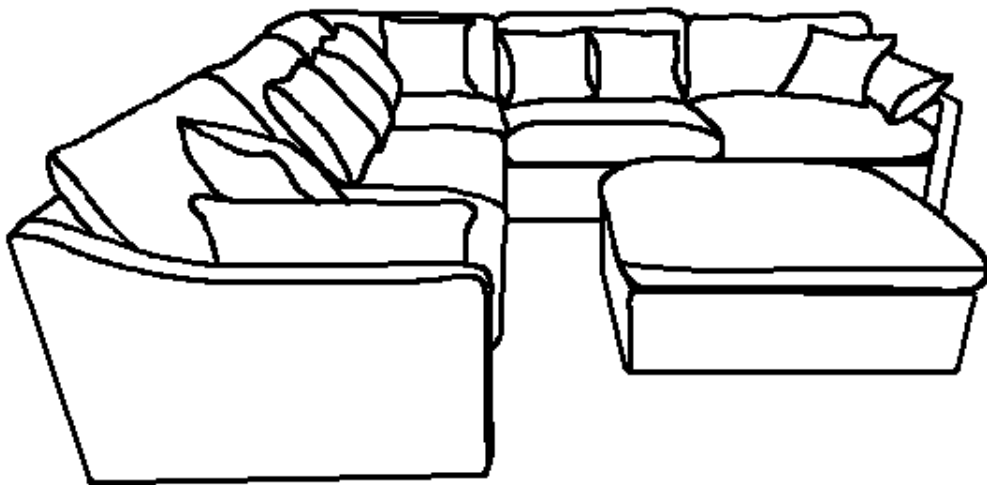
STEP 3

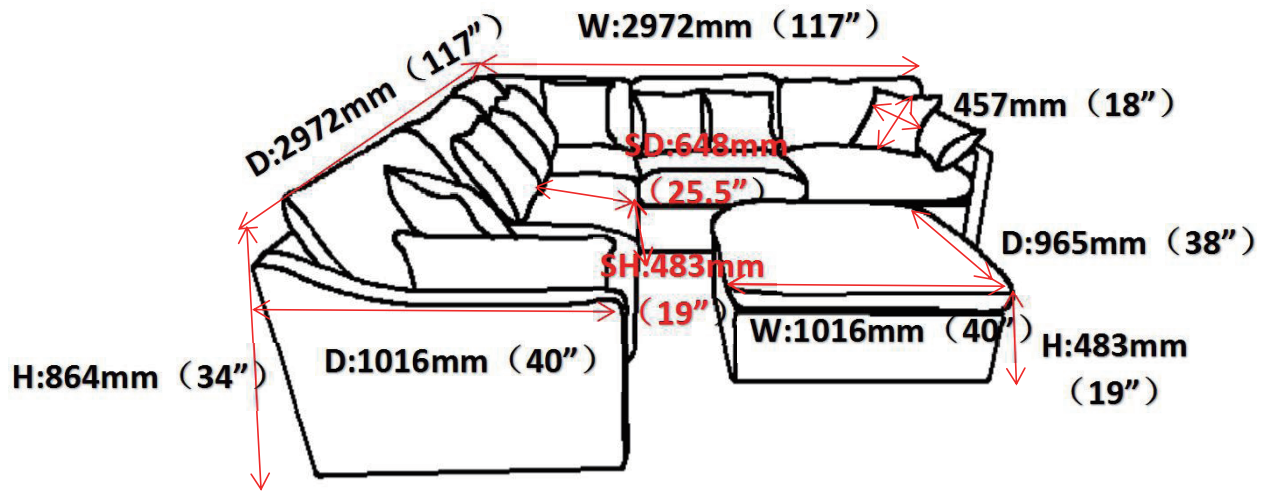


ASSEMBLY INSTRUCTIONS
STEP 2



STEP 1





Note : Dimension tolerance $\pm 5\%$