



LEFROY BROOKS

1 8 2 8 T R O U T M A N S T R E E T
R I D G E W O O D N E W Y O R K N Y 1 1 3 8 5 U S A
T : + 1 (7 1 8) 3 0 2 5 2 9 2 F : + 1 (7 1 8) 3 0 2 4 1 7 7

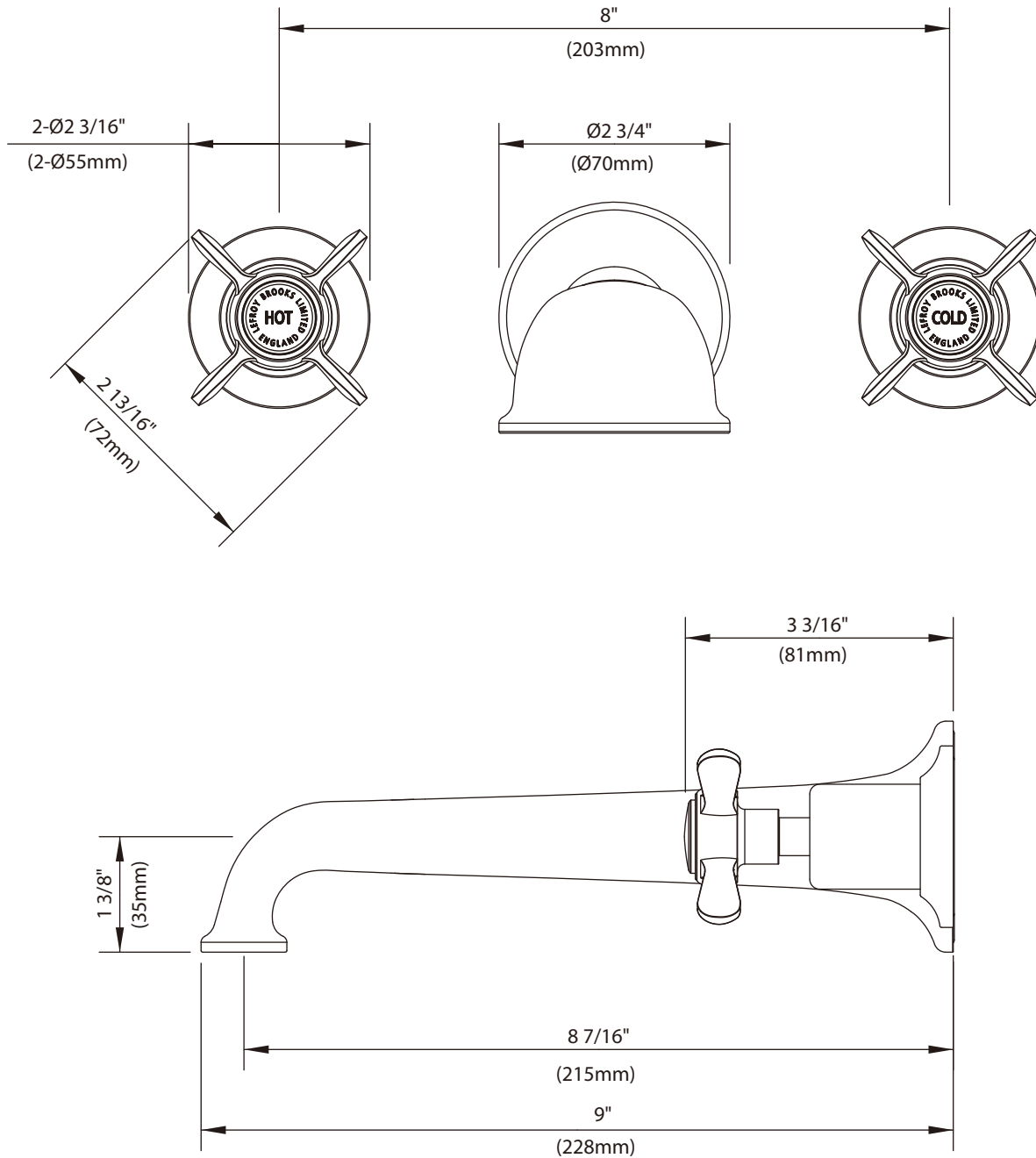
C1-2400

CROSS HANDLE 3-HOLE WALL-MOUNTED BATH FILLER TRIM ONLY,
TO SUIT R1-4035 ROUGH

DIMENSIONAL DATA SHEET

DATE: 22 MAY 2014

No: A66F416



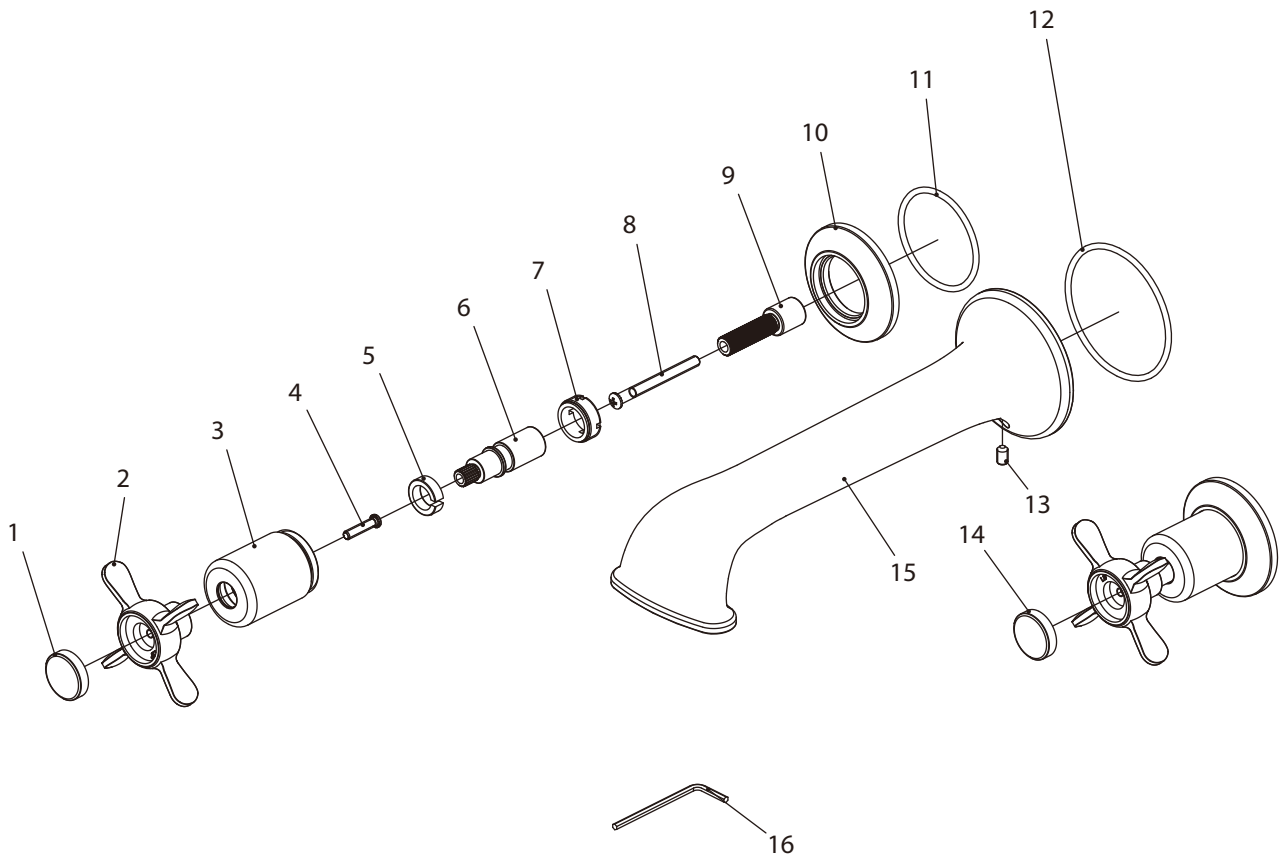
COPYRIGHT © LBIP LTD 2012. ALL RIGHTS RESERVED.

DIMENSIONS IN INCHES & MILLIMETRES

WHILST EVERY EFFORT IS MADE TO ENSURE THE ACCURACY OF THESE DATA SHEETS THEY ARE SUBJECT TO CHANGE WITHOUT NOTICE AS PART OF THE COMPANY'S PRODUCT DEVELOPMENT PROCESS

C1-2400

CROSS HANDLE 3-HOLE WALL-MOUNTED BATH FILLER TRIM ONLY, TO SUIT R1-4035 ROUGH



1	Ceramic cap (H) (129312H)	7	Adaptor (057507)	13	Set screw (075208)
2	Handle (069031)	8	Screw (008488)	14	Ceramic cap (C) (129312C)
3	Canopy (018294)	9	Stem extension (110490)	15	Spout (118052)
4	Screw (008486)	10	Escutcheon (034209)	16	Allen key (031000)
5	Clip (012242)	11	O-ring (004045N)		
6	Stem extension (110357)	12	O-ring (048061)		

Standards

IAPMO/cUPC Listed
Meets A112.18.1

Please note :
Final achievable flow rate is dependent on the outlets fitted, see relevant outlets (spouts, roses, sprays) for fully assembled product flow rate.