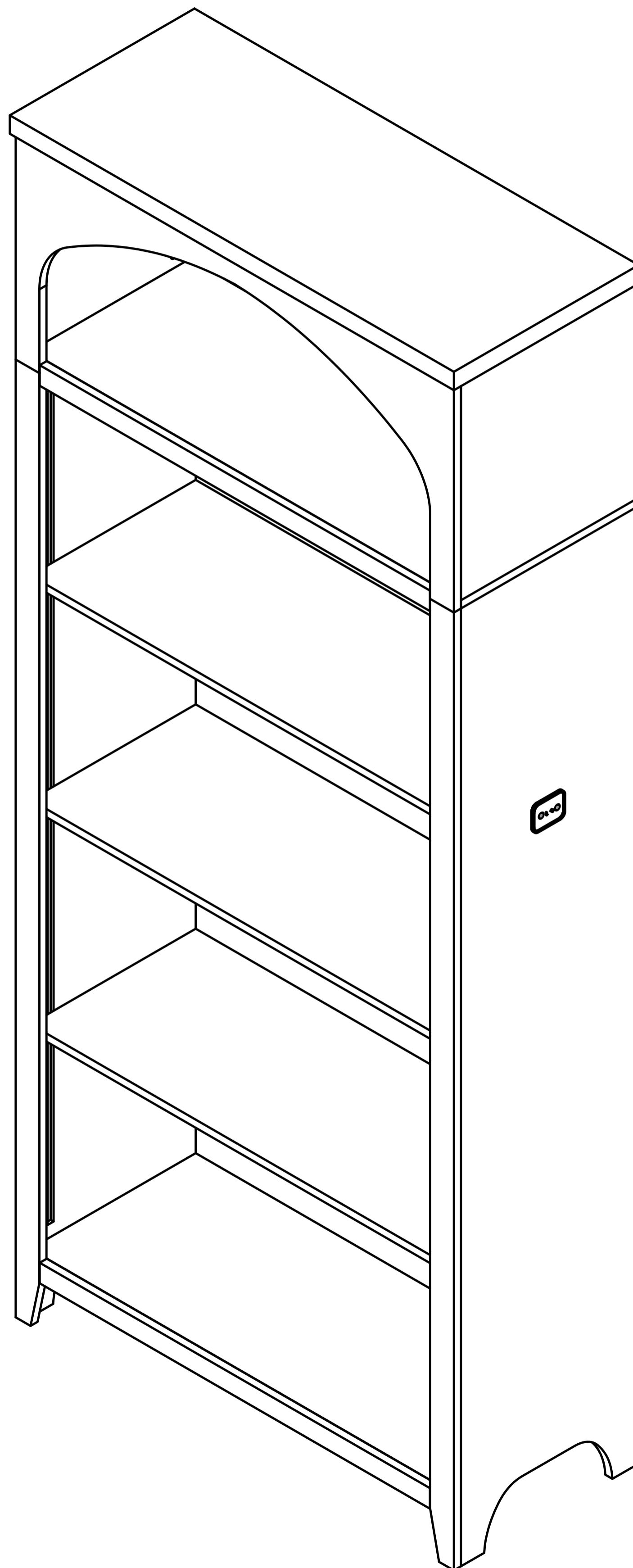
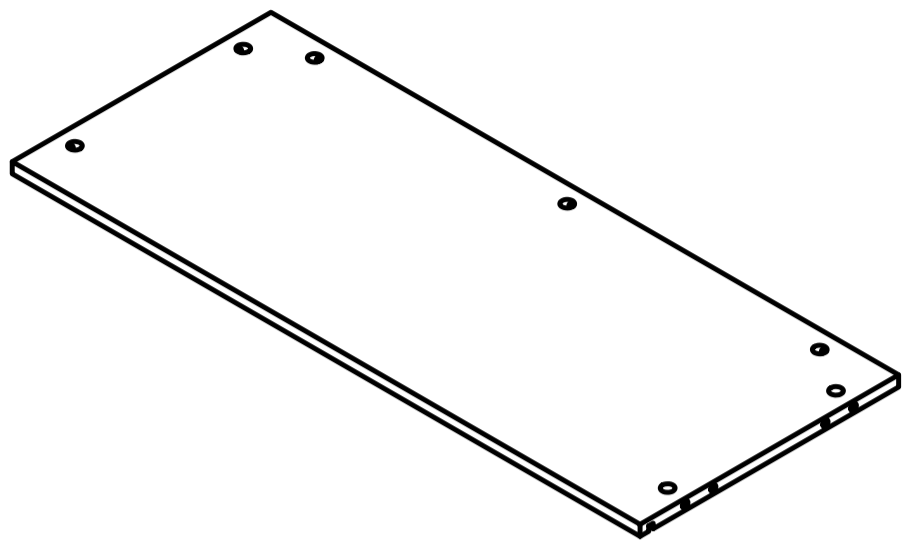
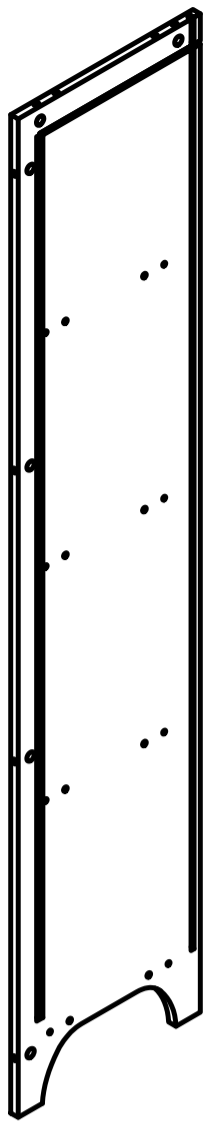


98007 Product Installation Instructions

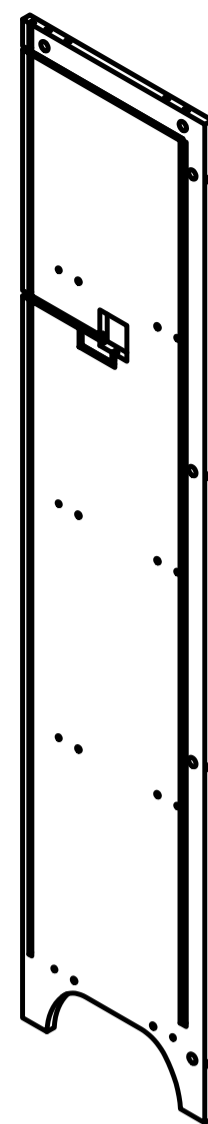




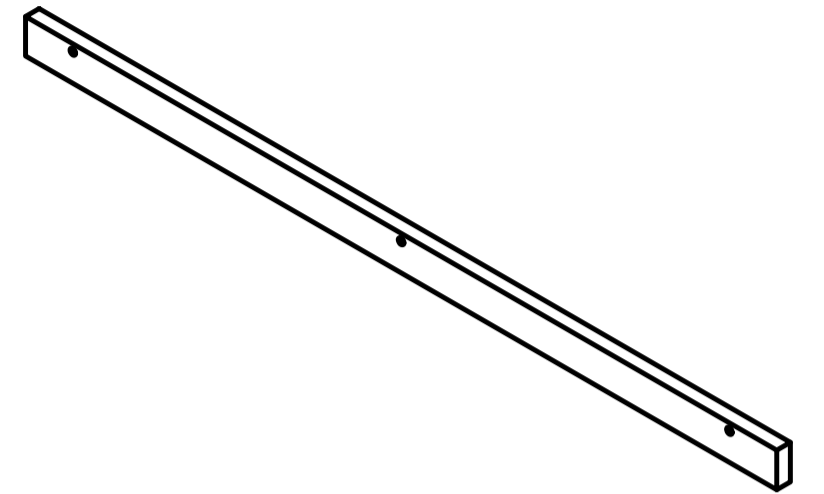
A x1



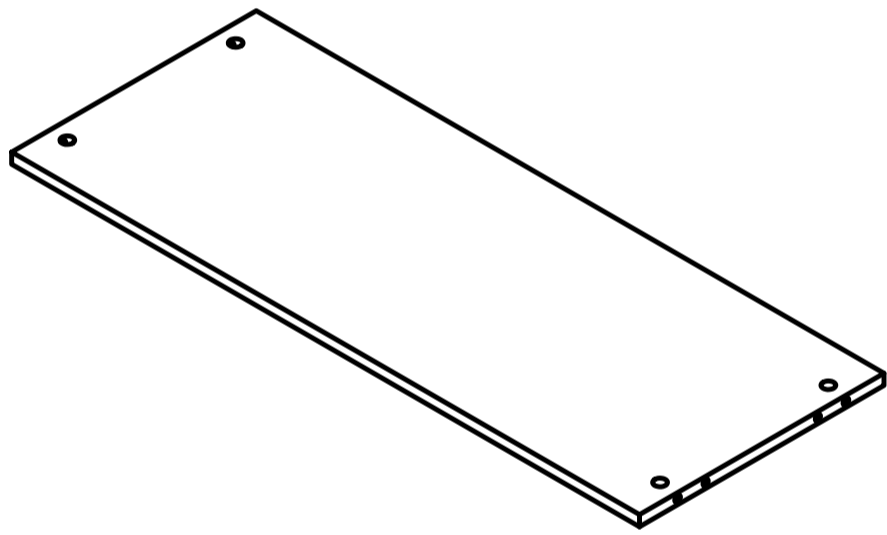
B x1



C x1



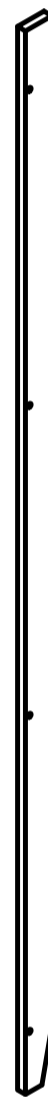
D x2



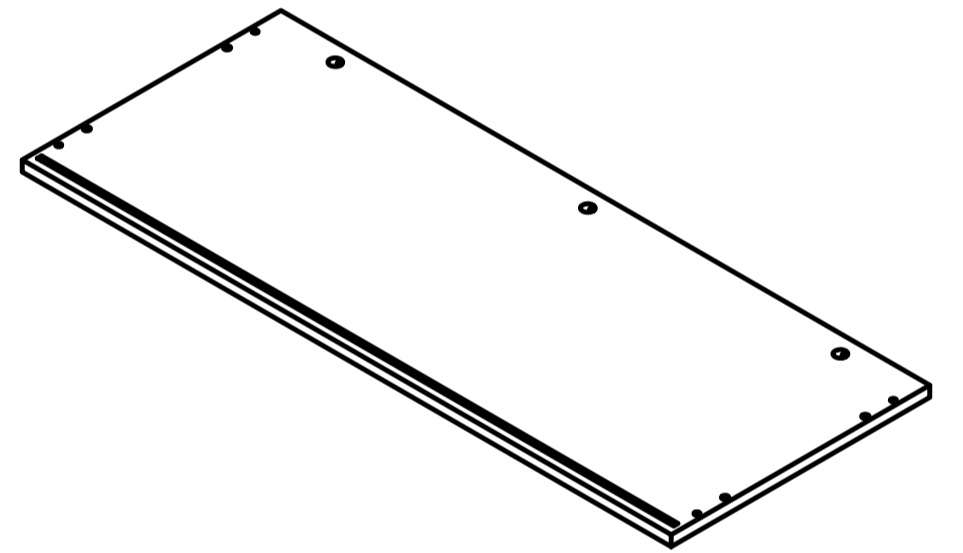
E x3



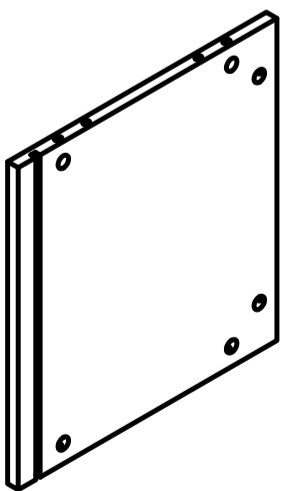
F x1



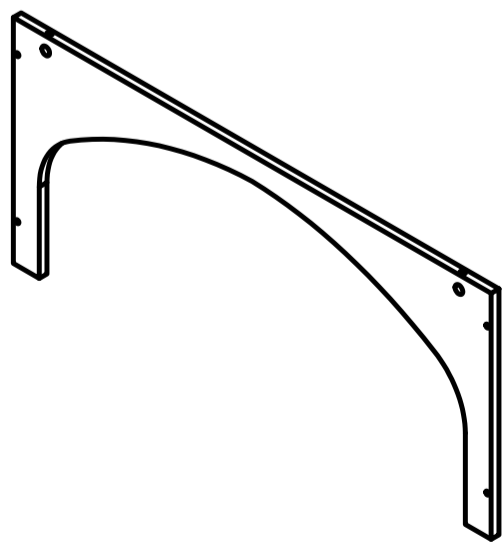
G x1



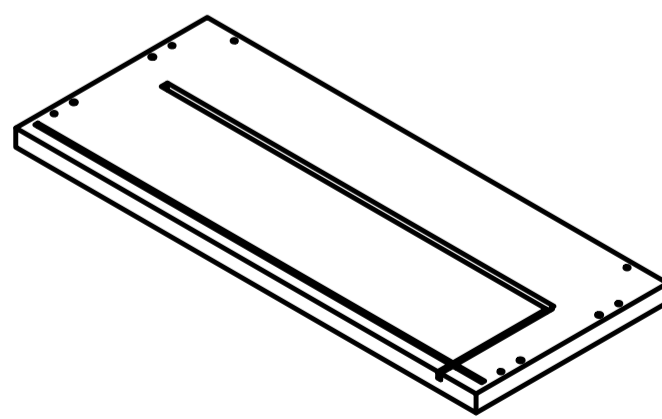
H x1



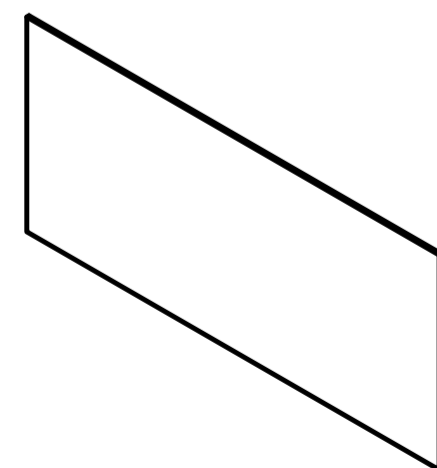
I x2



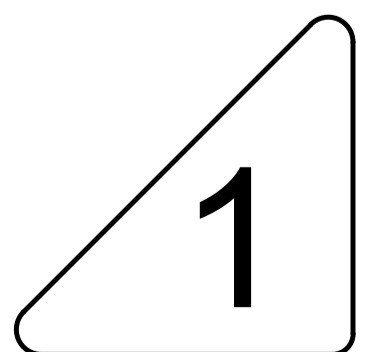
J x1



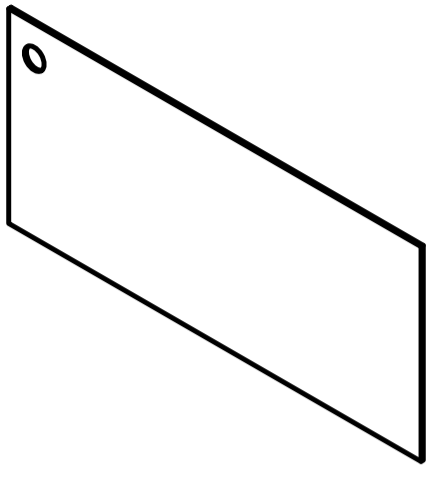
K x1



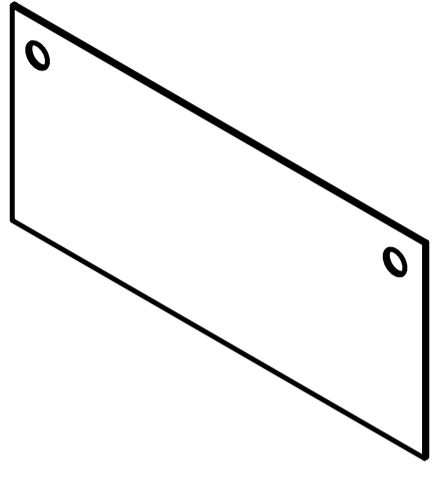
L x2



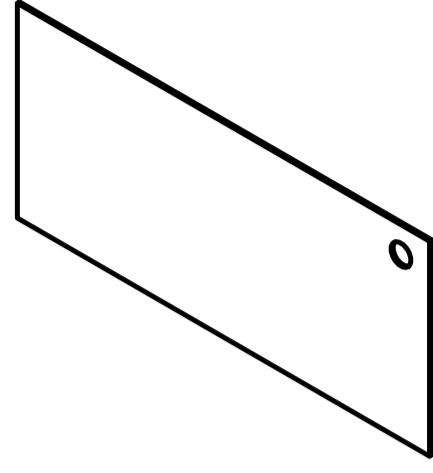
SY



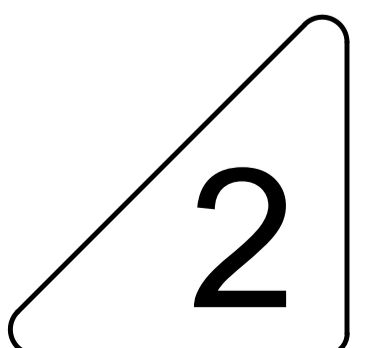
L1 x1



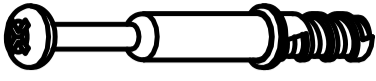


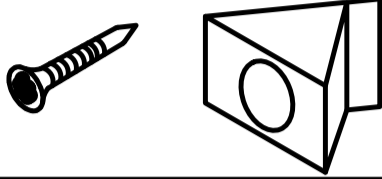
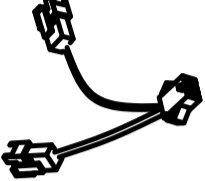

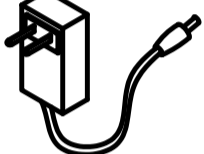


L2 x1



M x1



SY

①		Two In One Screw (6x28mm)	48pcs +2pcs
②		Two In One Nut (10x12mm)	48pcs +8pcs
③		Wood Chipping (6x30mm)	28pcs +8pcs
④		Fixing clip & screw (3x16mm)	12pcs +1pcs
⑤		power cord extension cord	1pcs
⑥		Wire Clamp	4pcs
⑦		The power adapter	1pcs
⑧		Non-slip pads	4pcs
⑨		nail	6pcs

Anti Fall Hardware

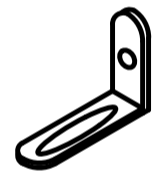
⑩



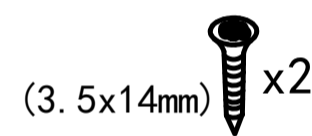
x2



x4



x2

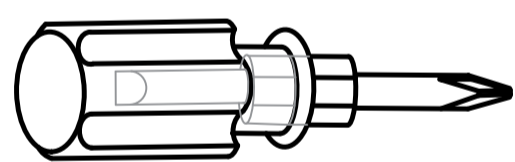


(3.5x14mm) x2

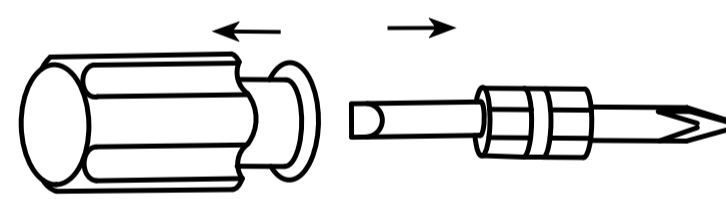


x2

(4x45mm)

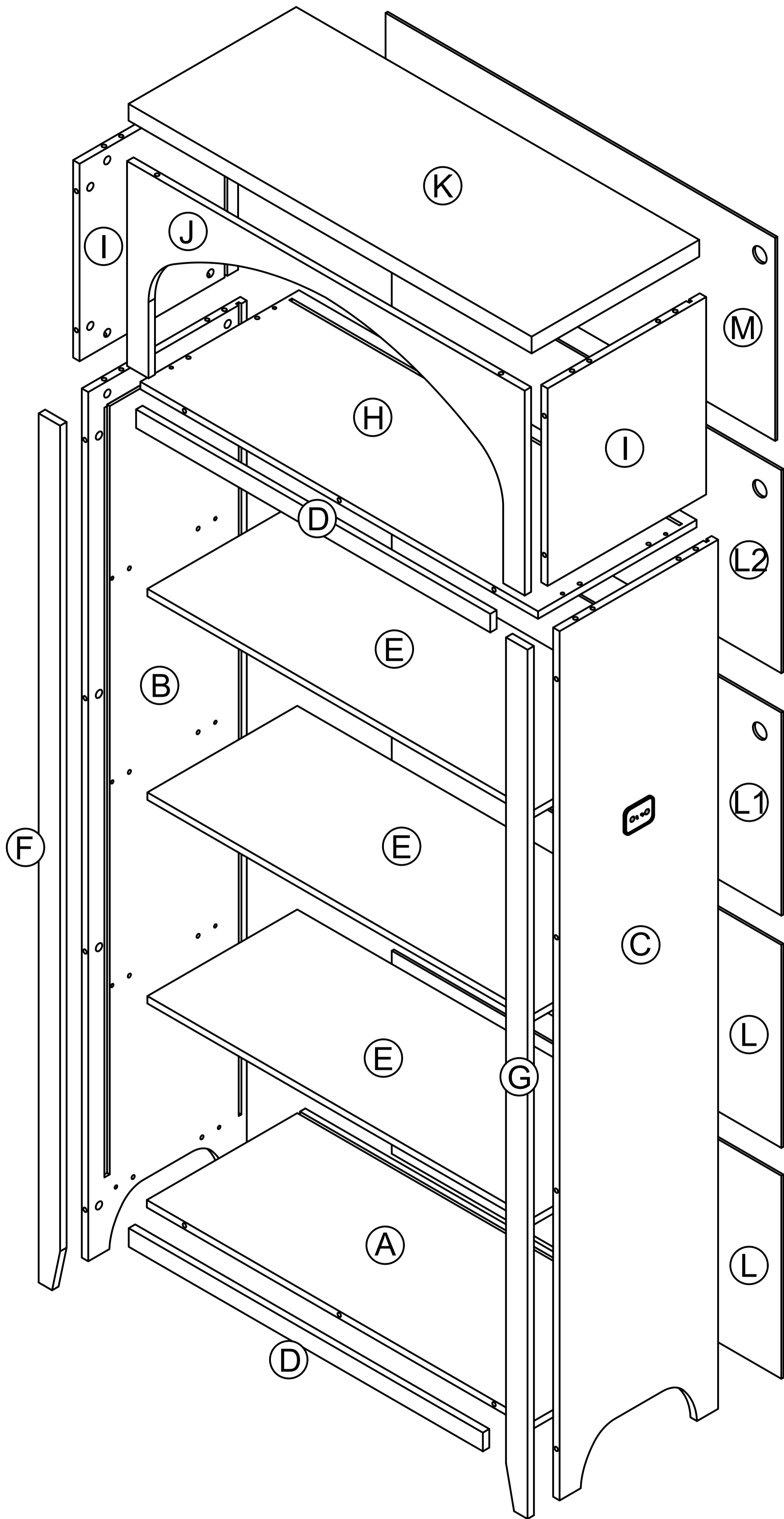


1pcs



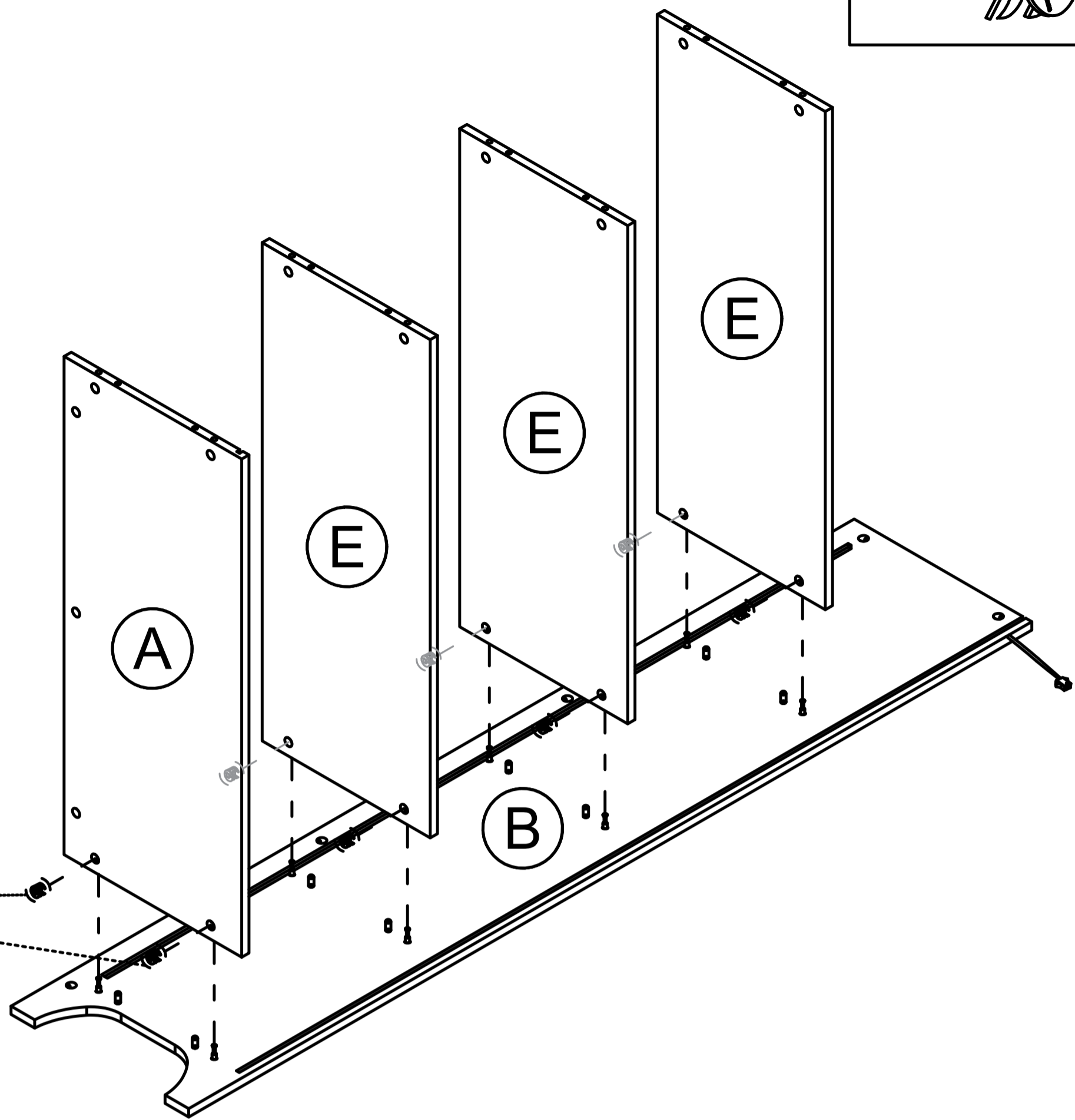
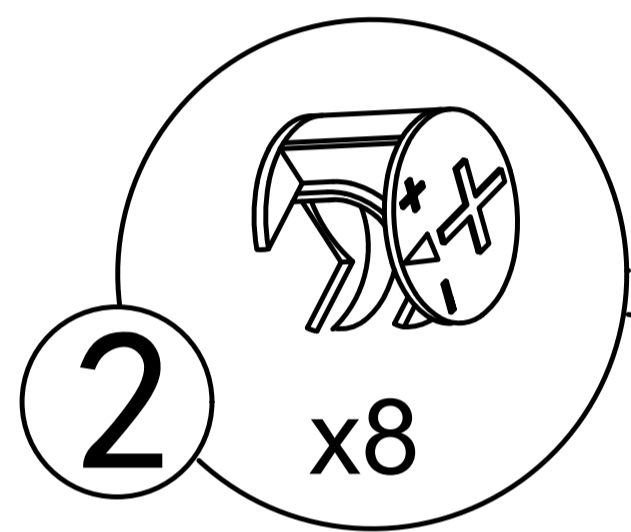
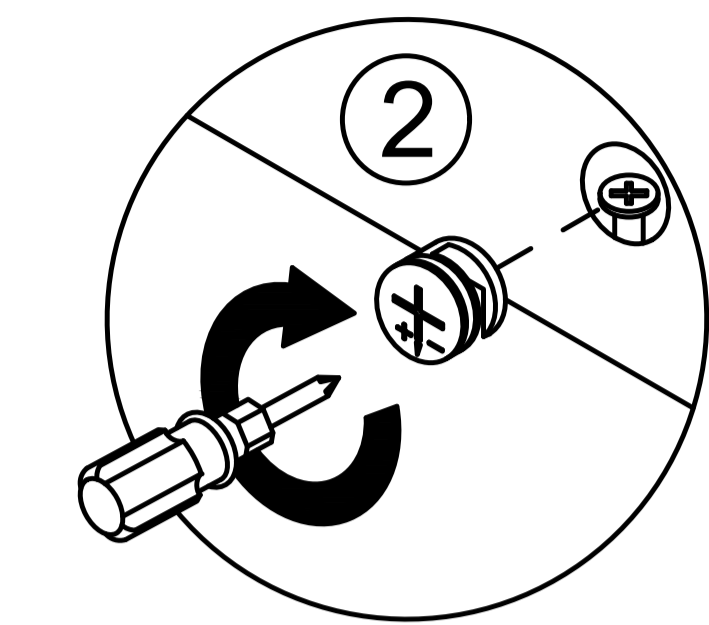
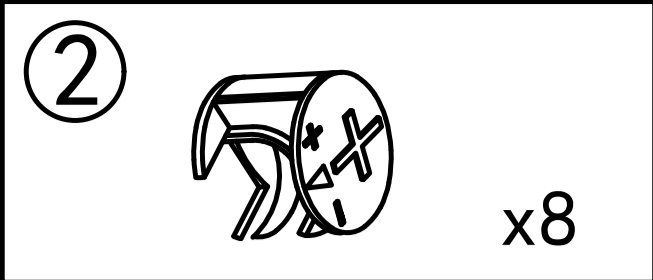
Double-head screwdriver, use as required



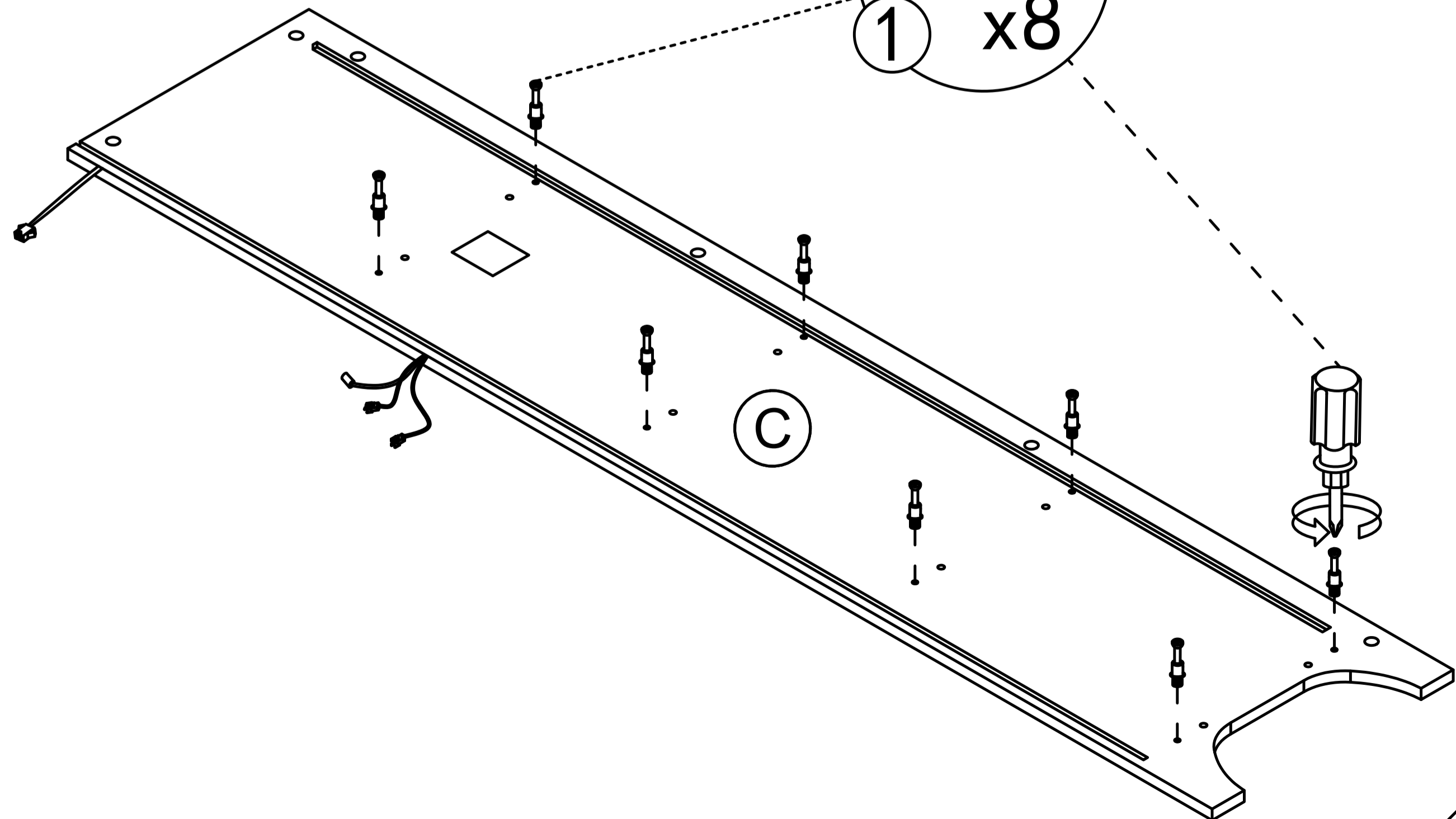
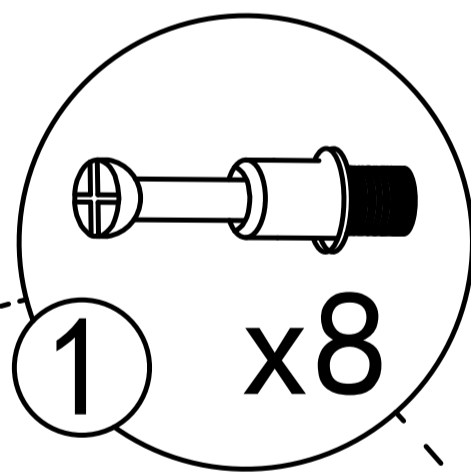
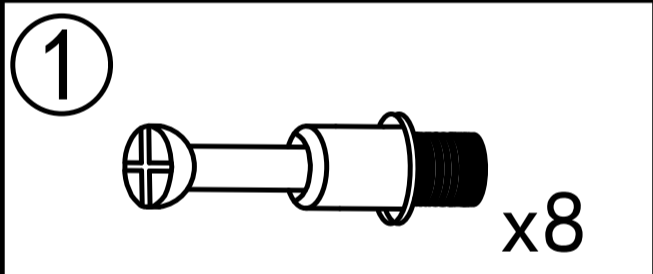


SY

Step 2

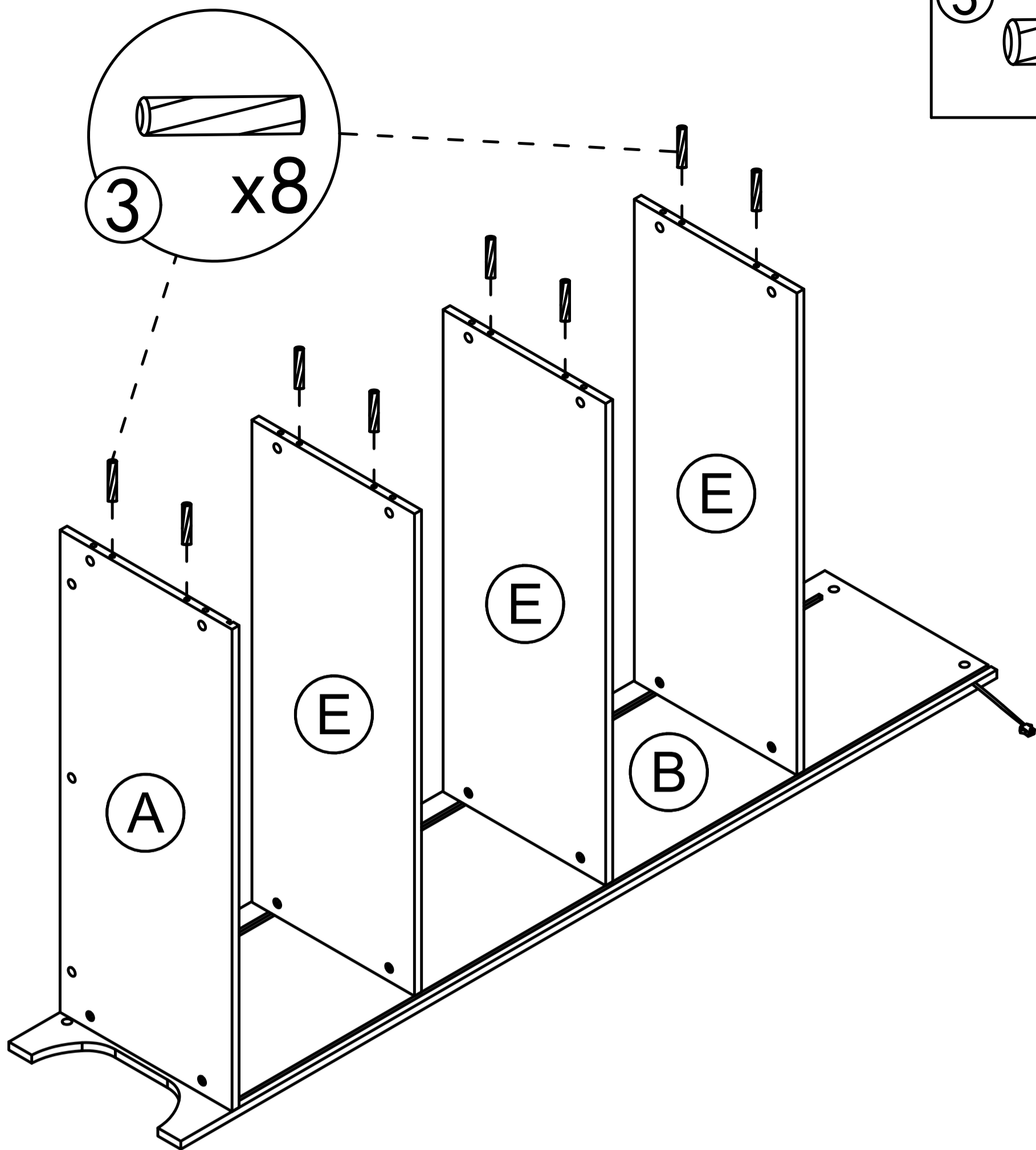
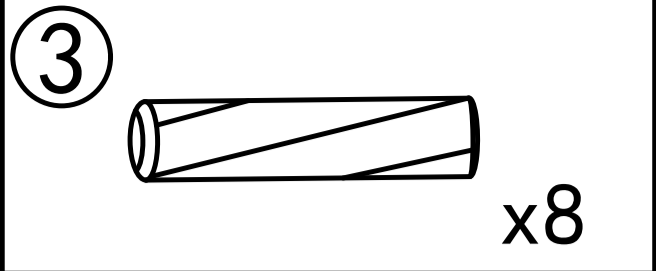


Step 3

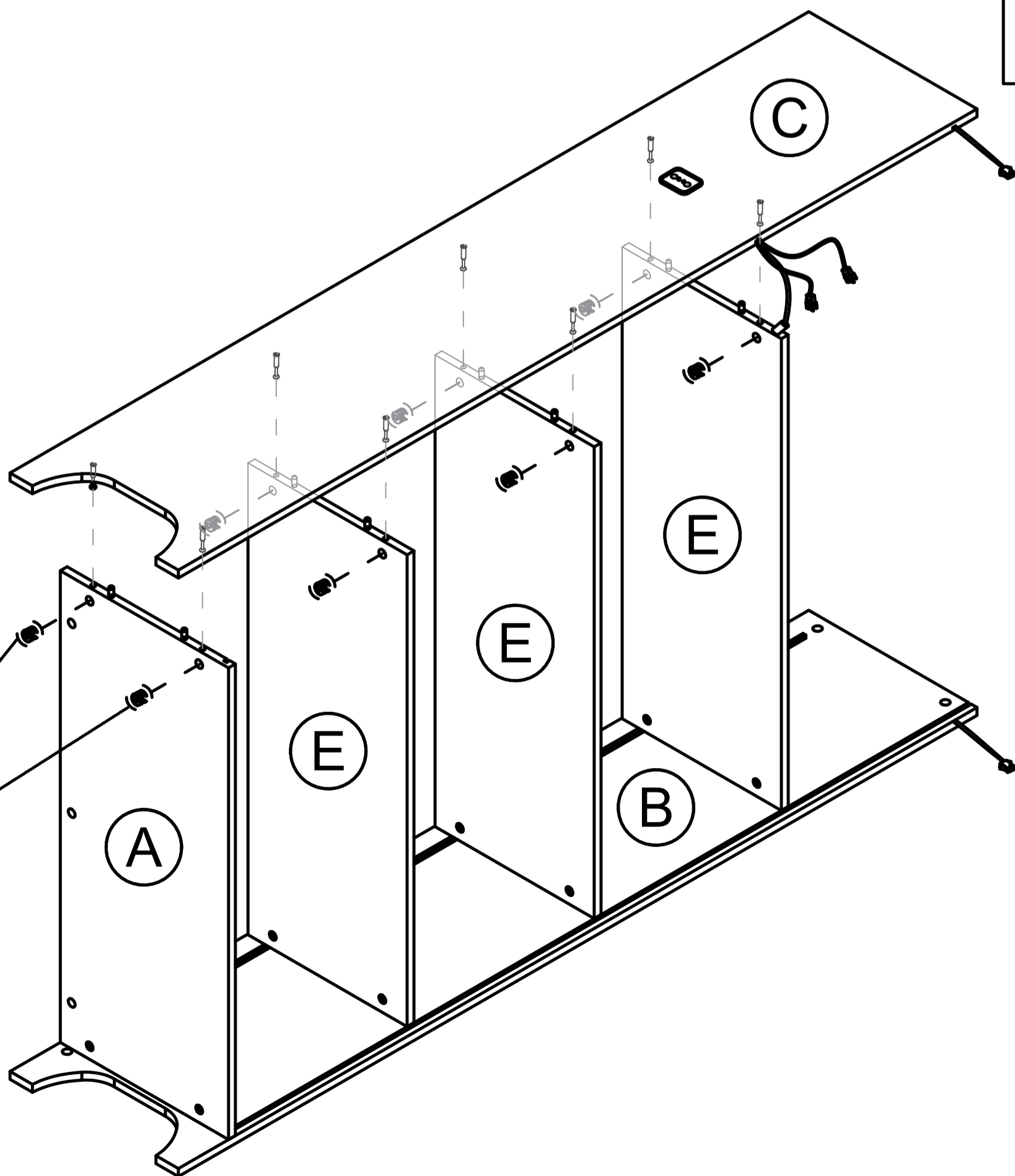
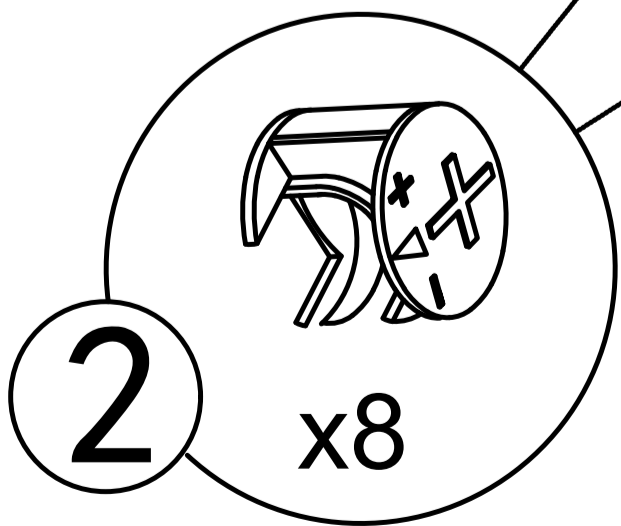
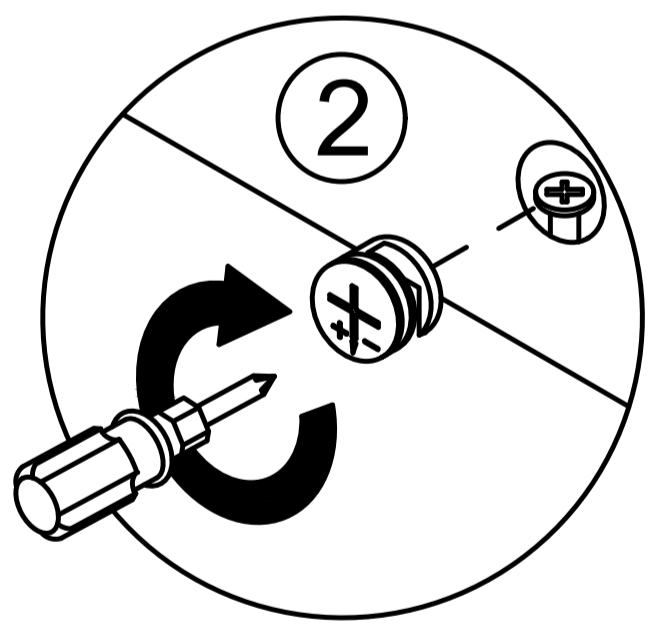
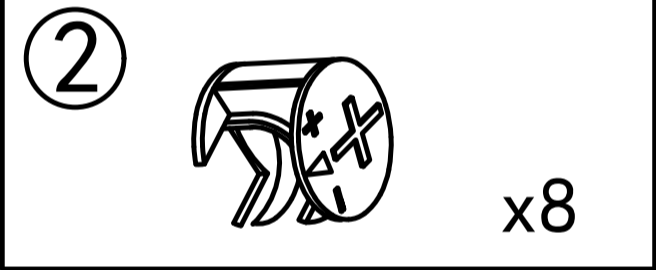


SY

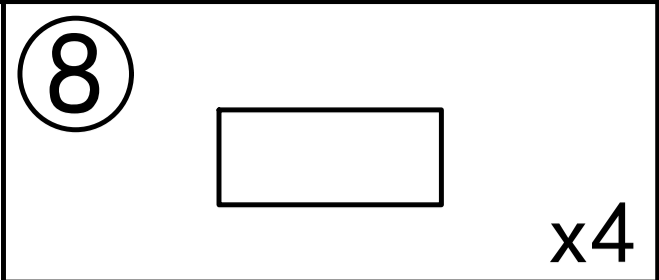
Step 4



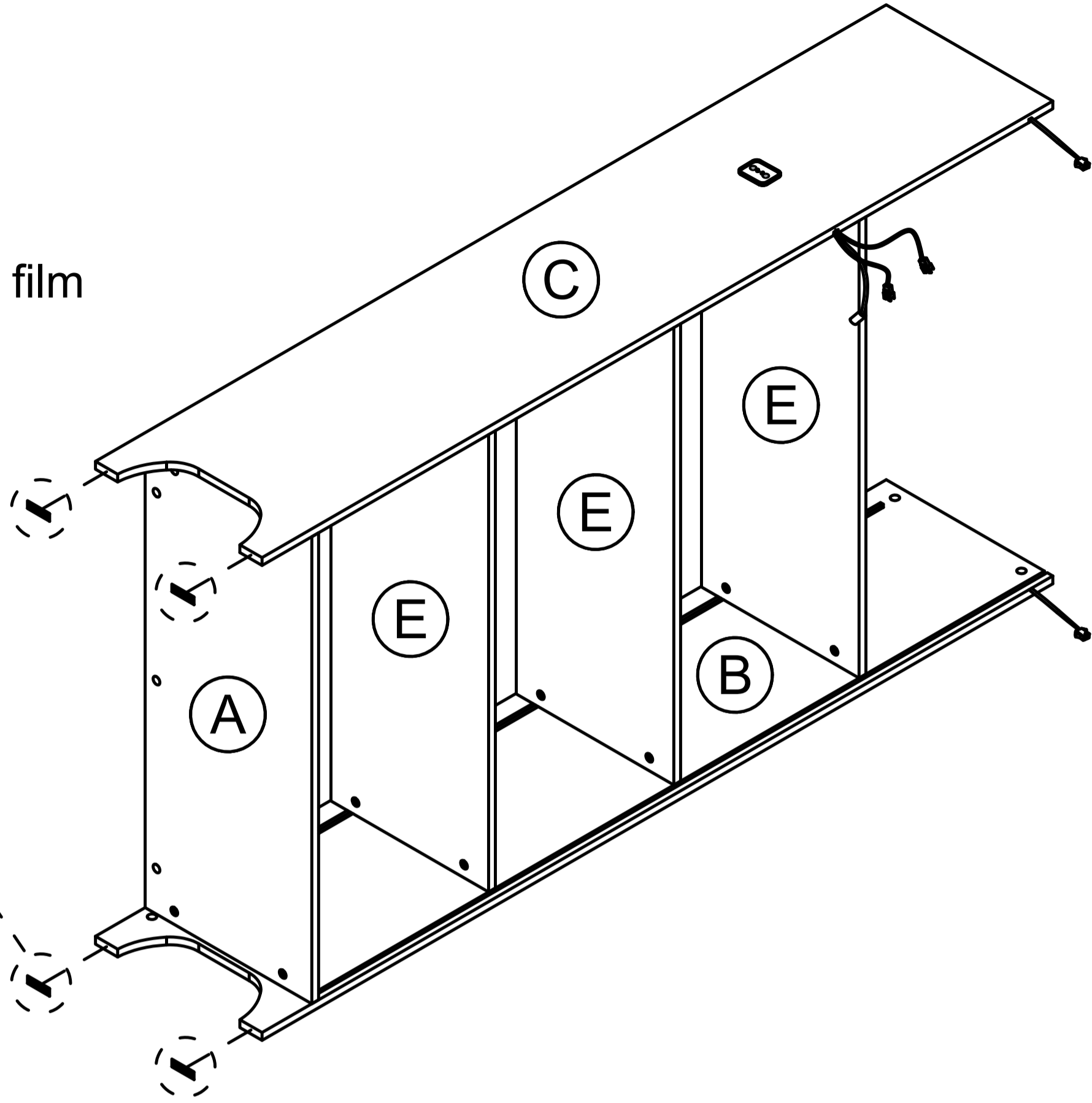
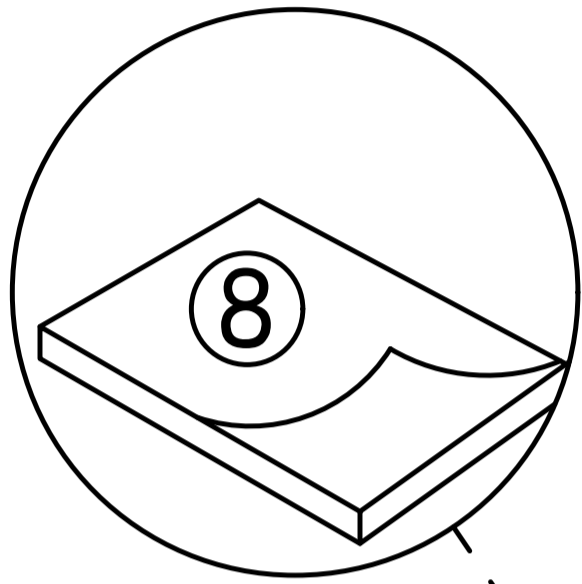
Step 5



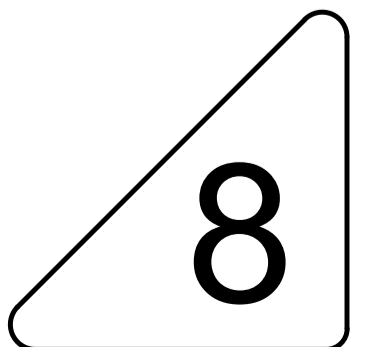
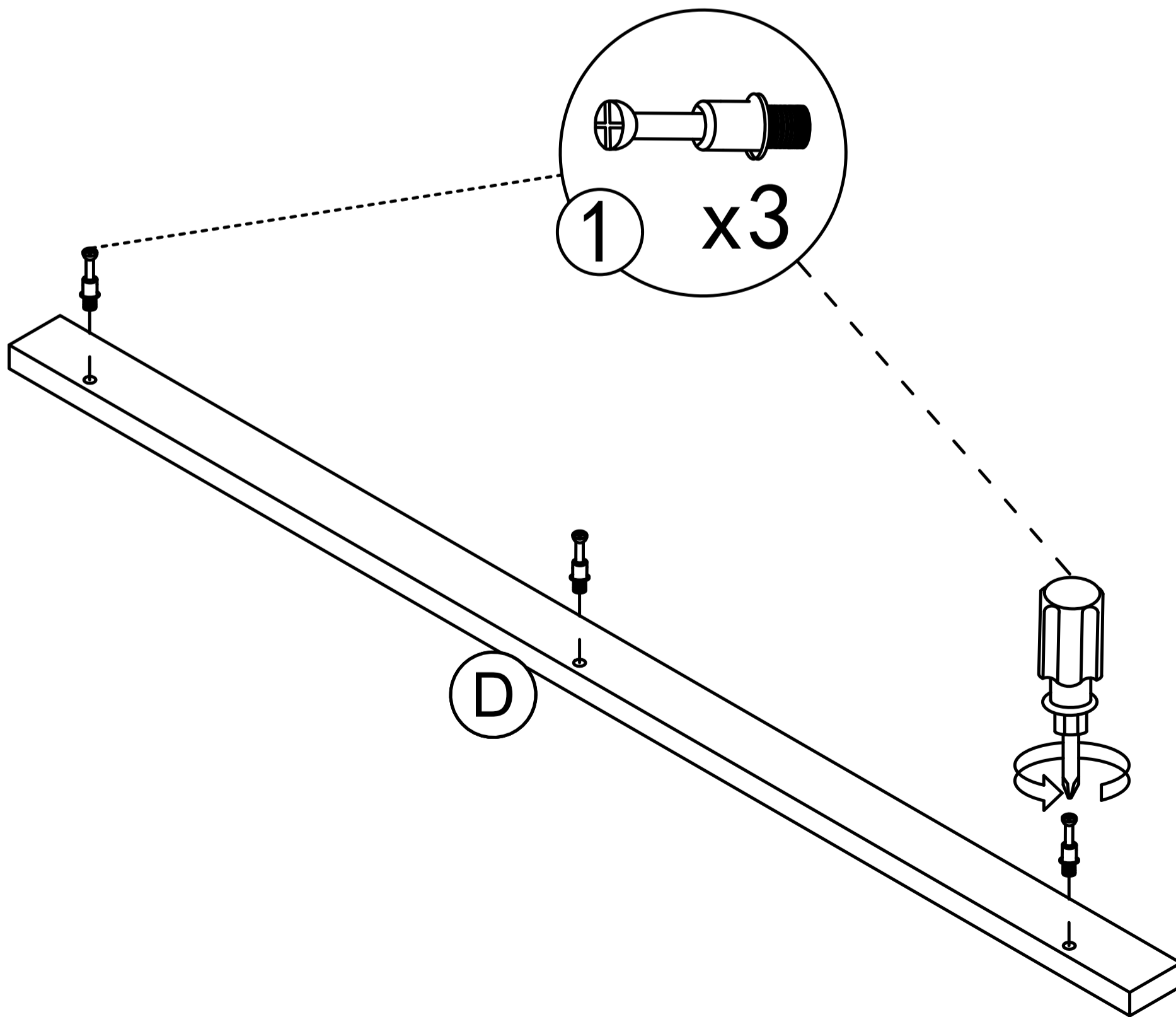
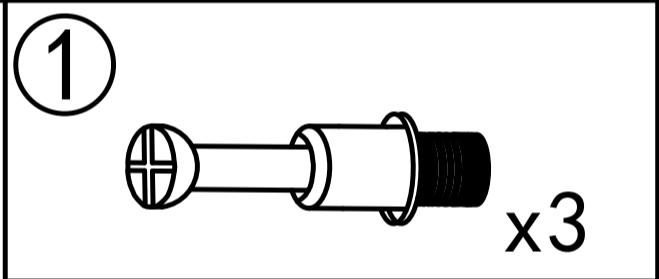
Step 6



Tear off the protective film before installation

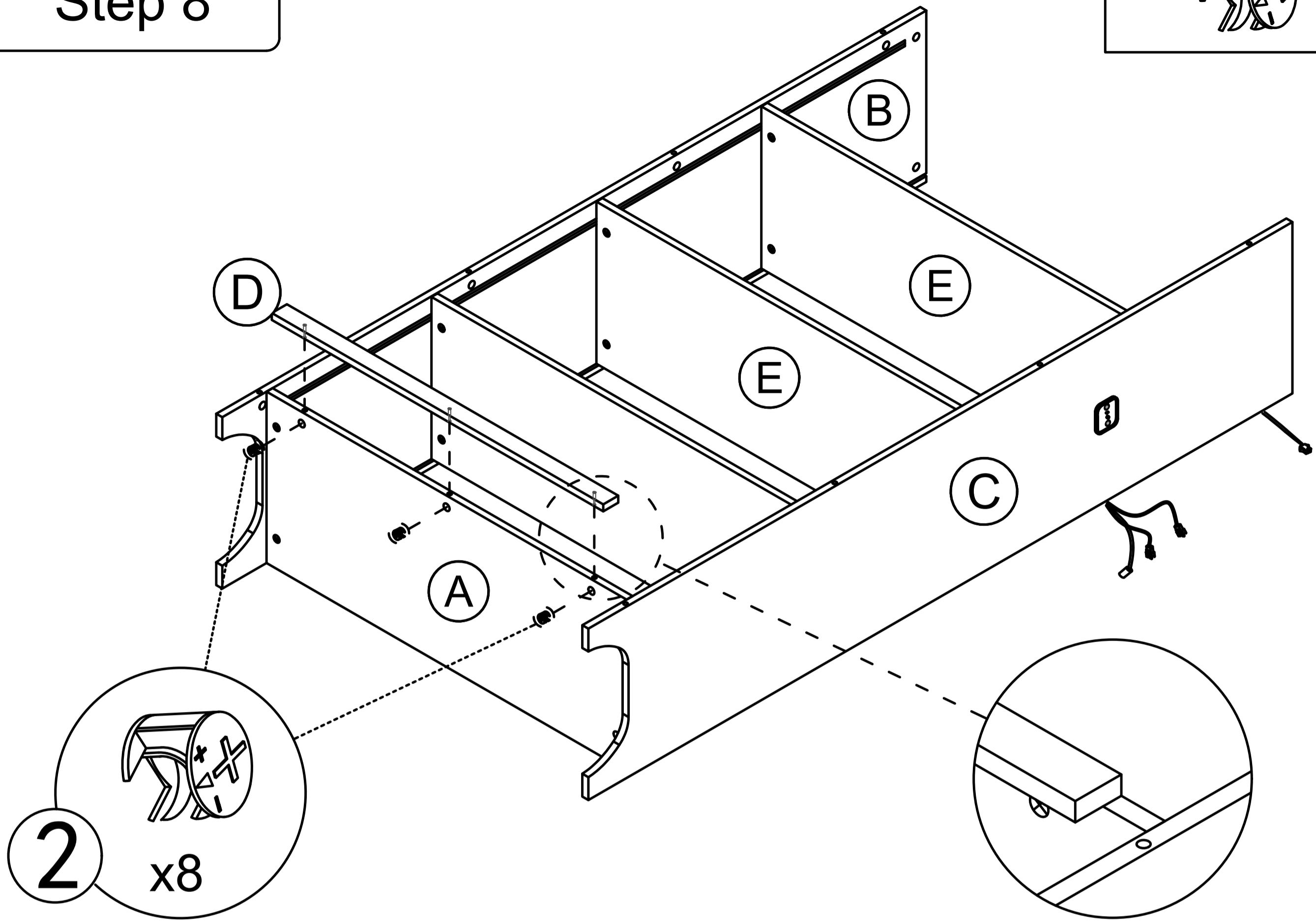
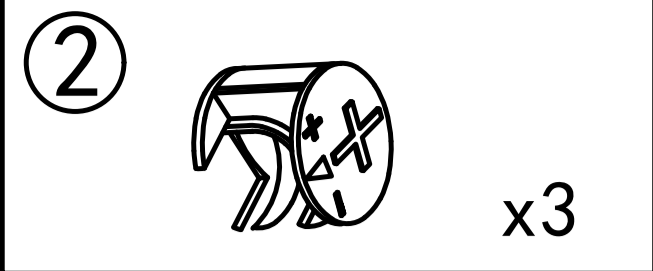


Step 7

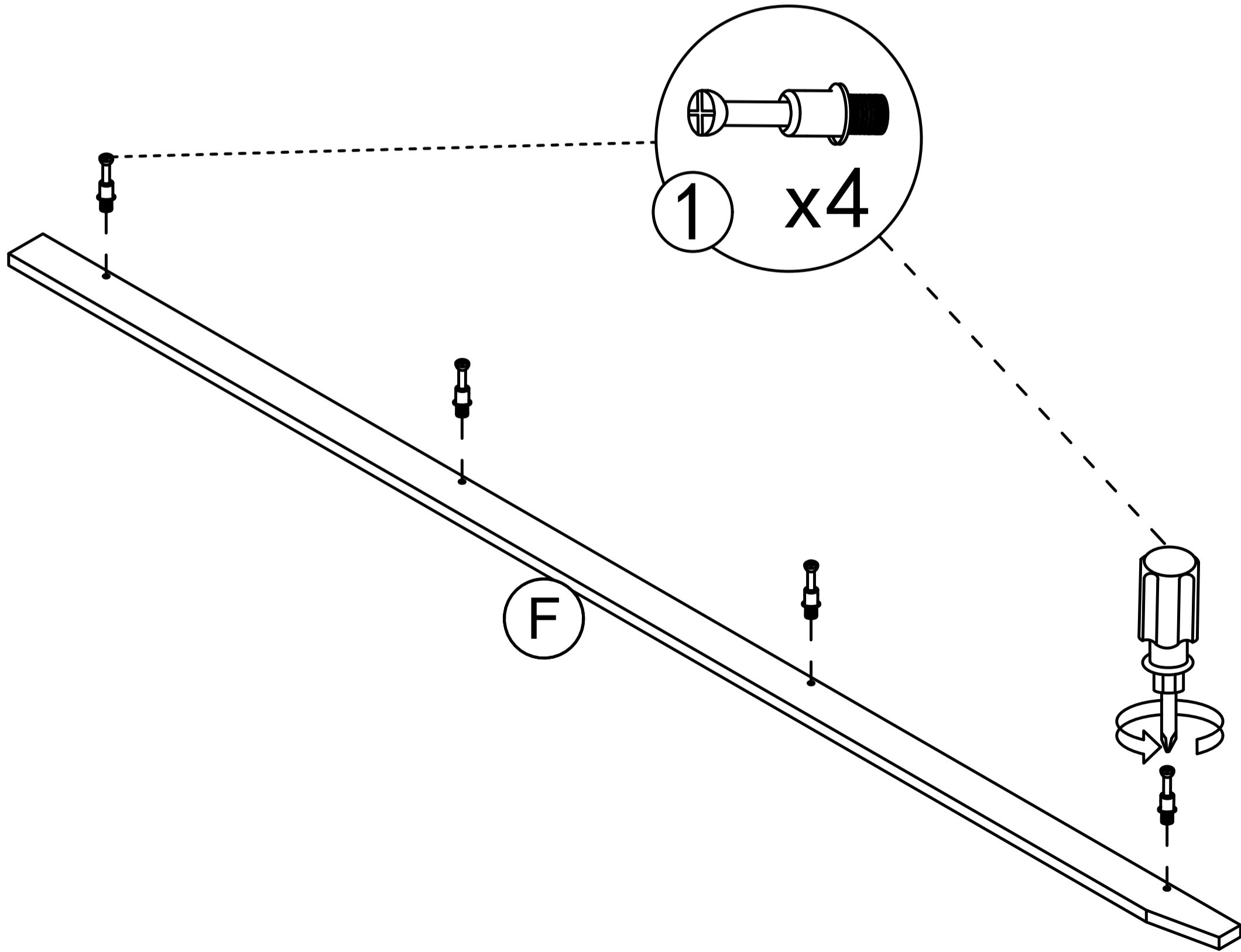
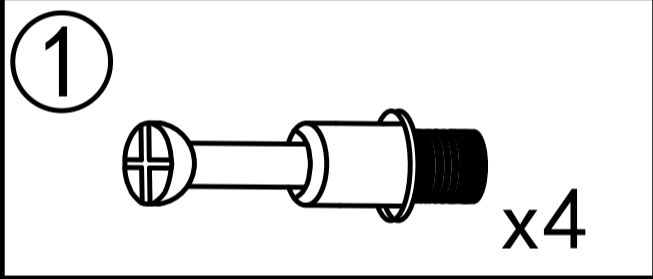


SY

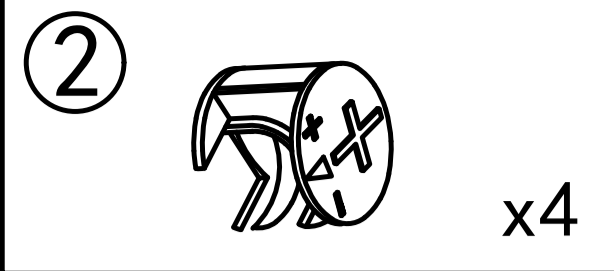
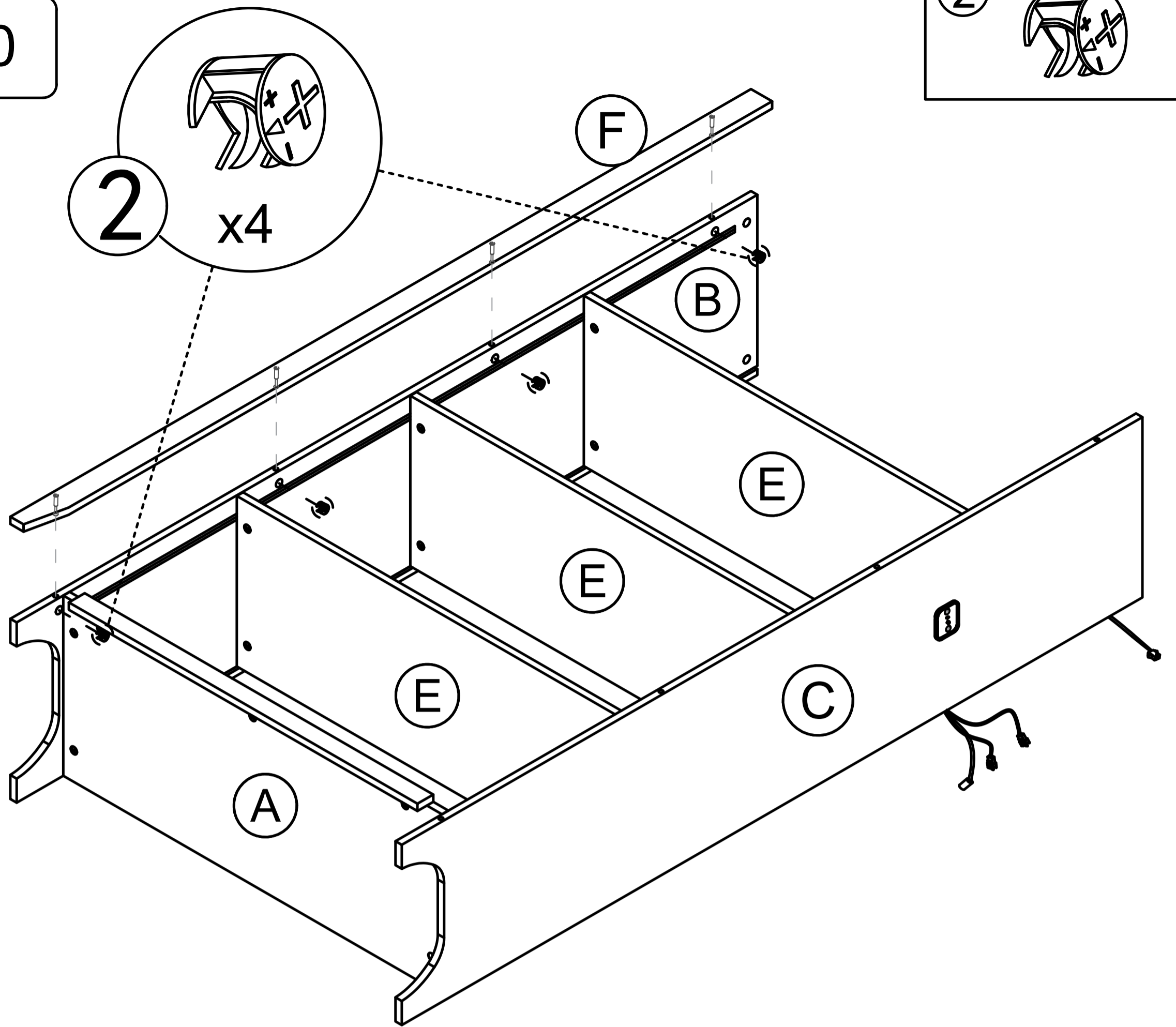
Step 8



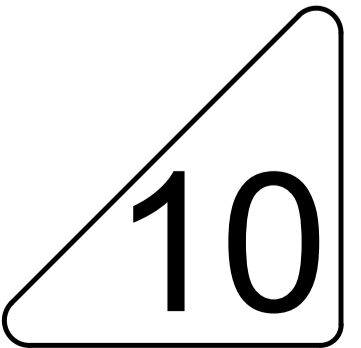
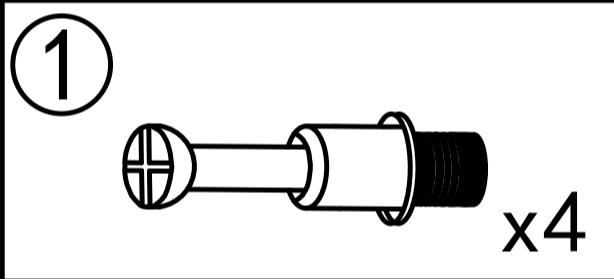
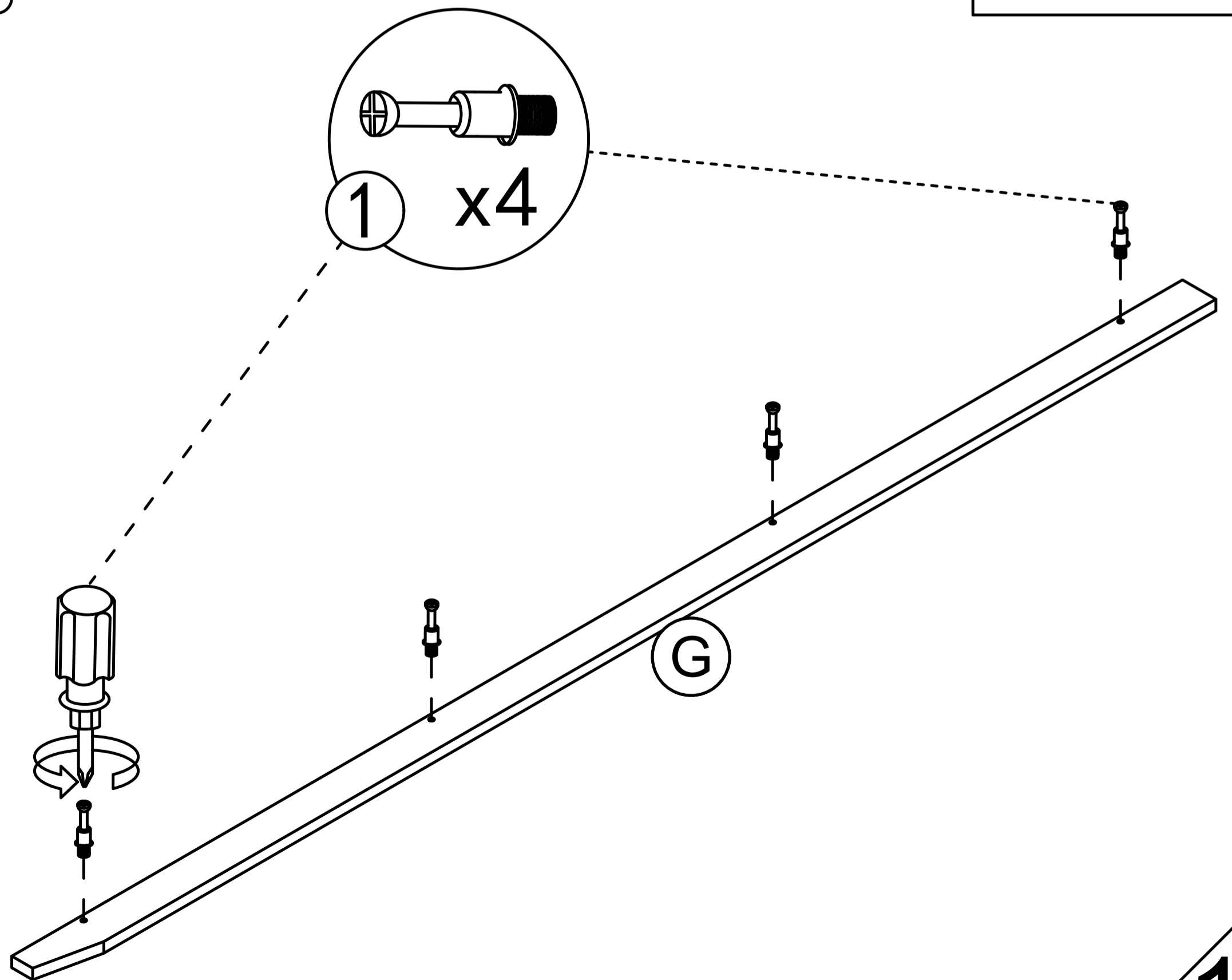
Step 9



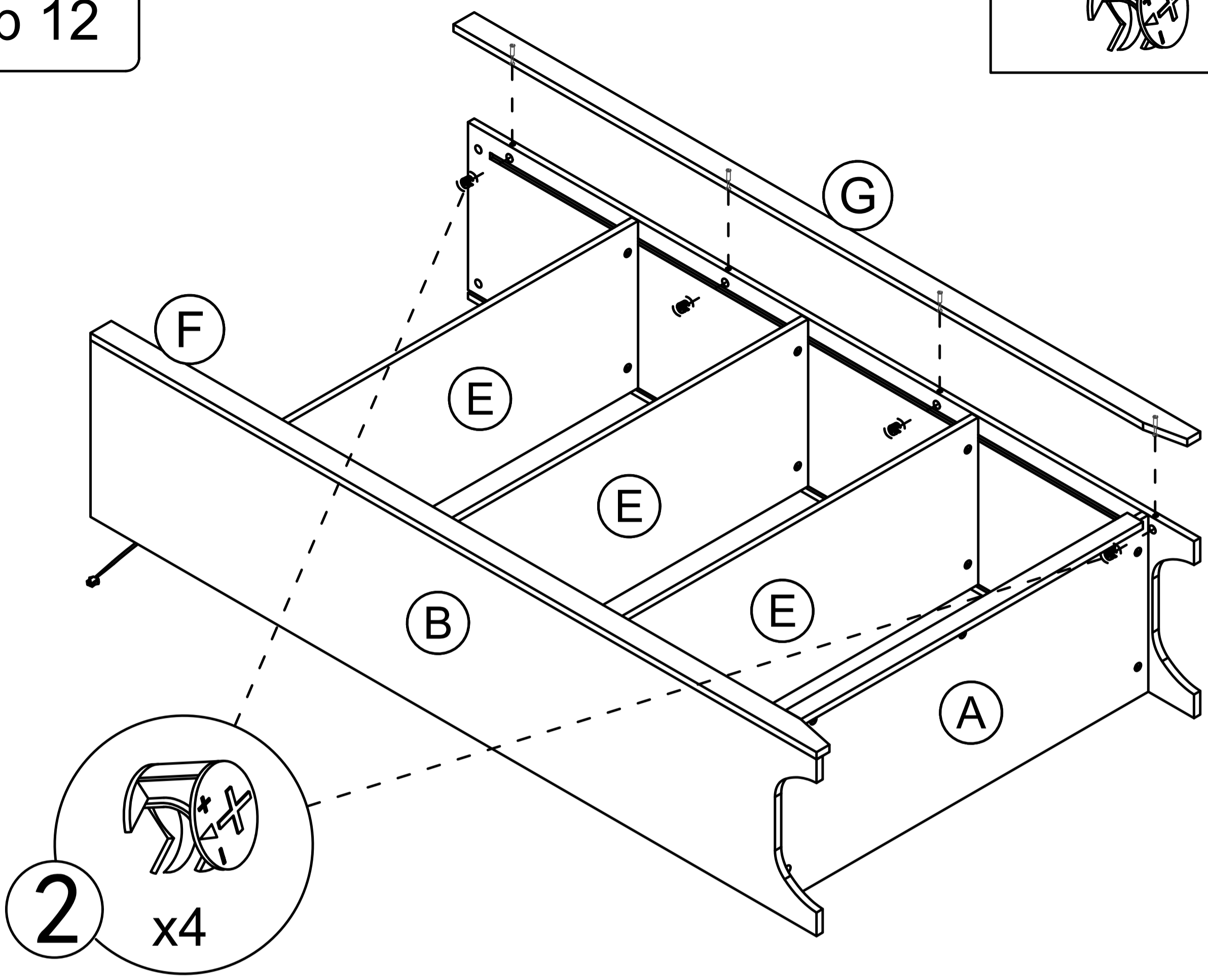
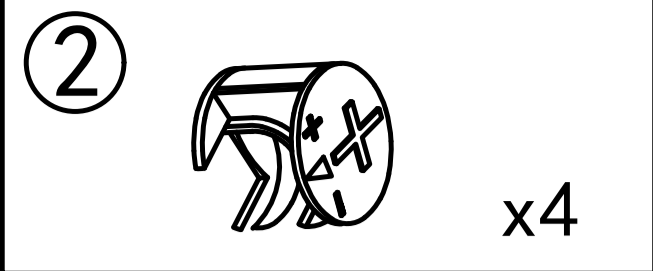
Step 10



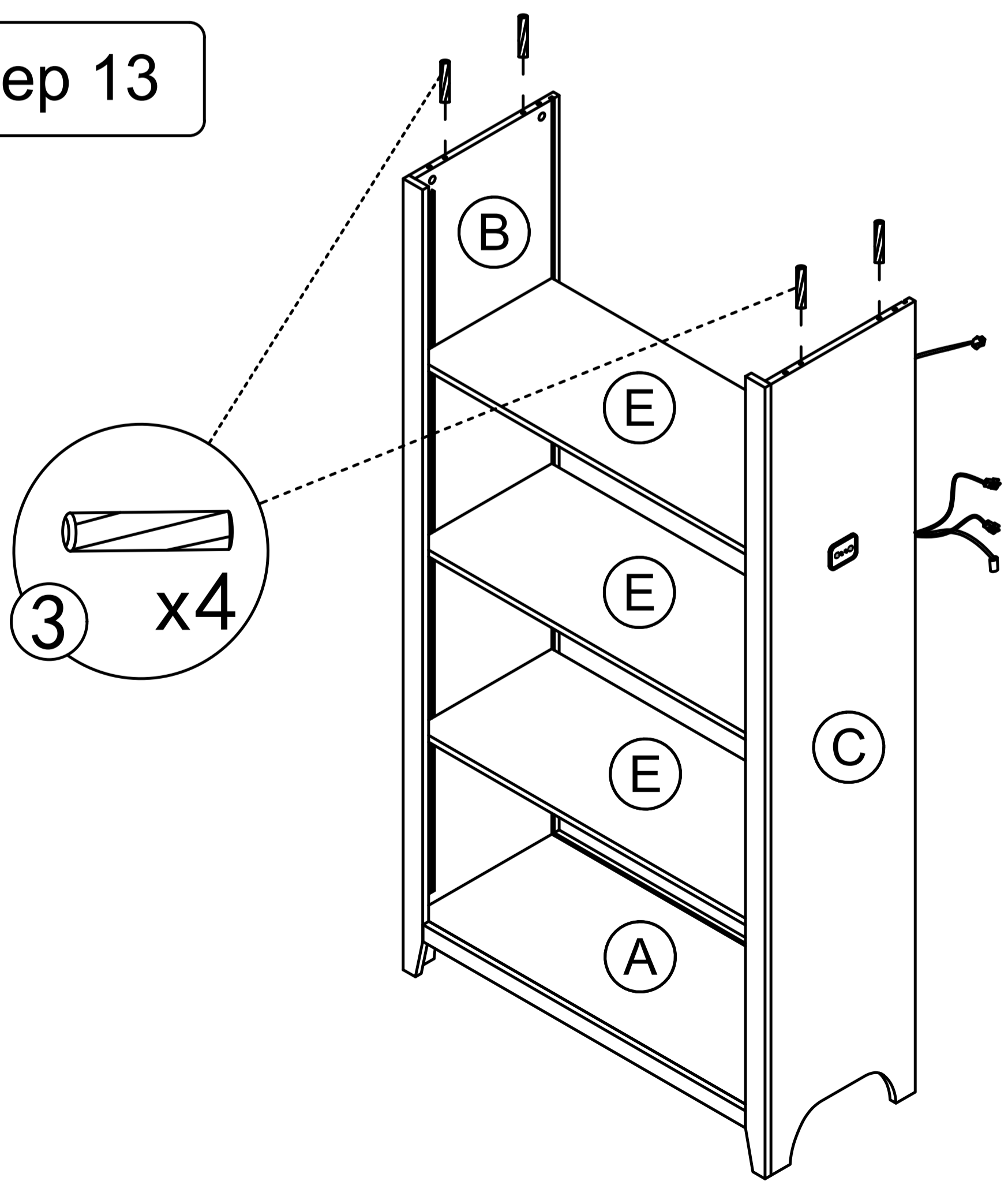
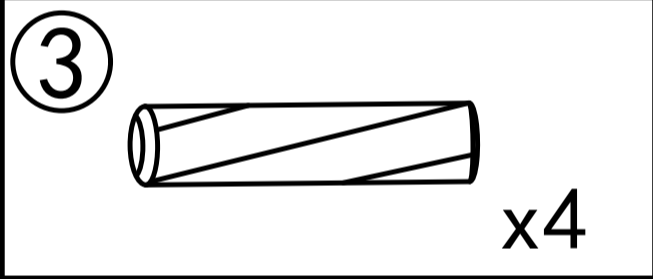
Step 11



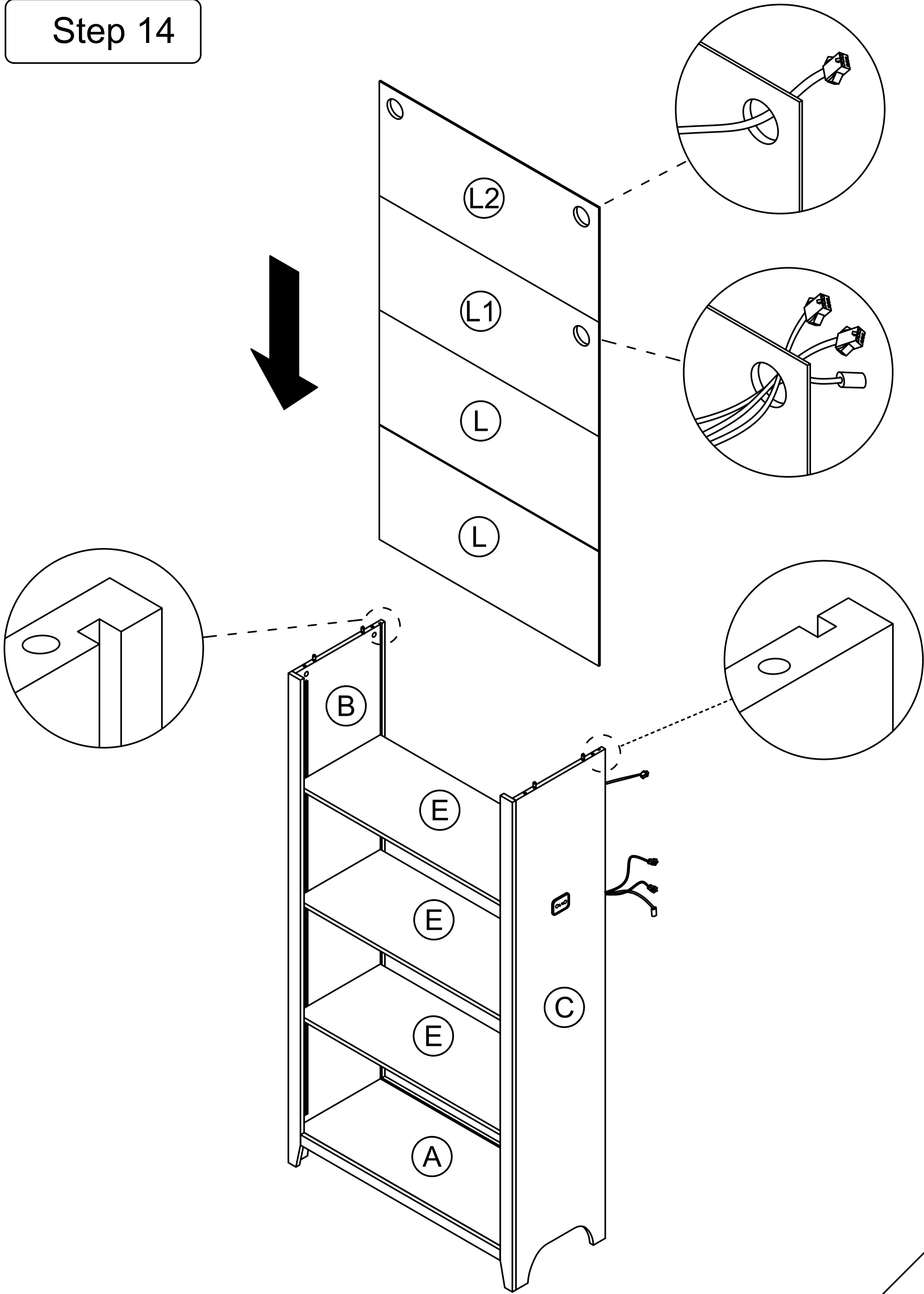
Step 12



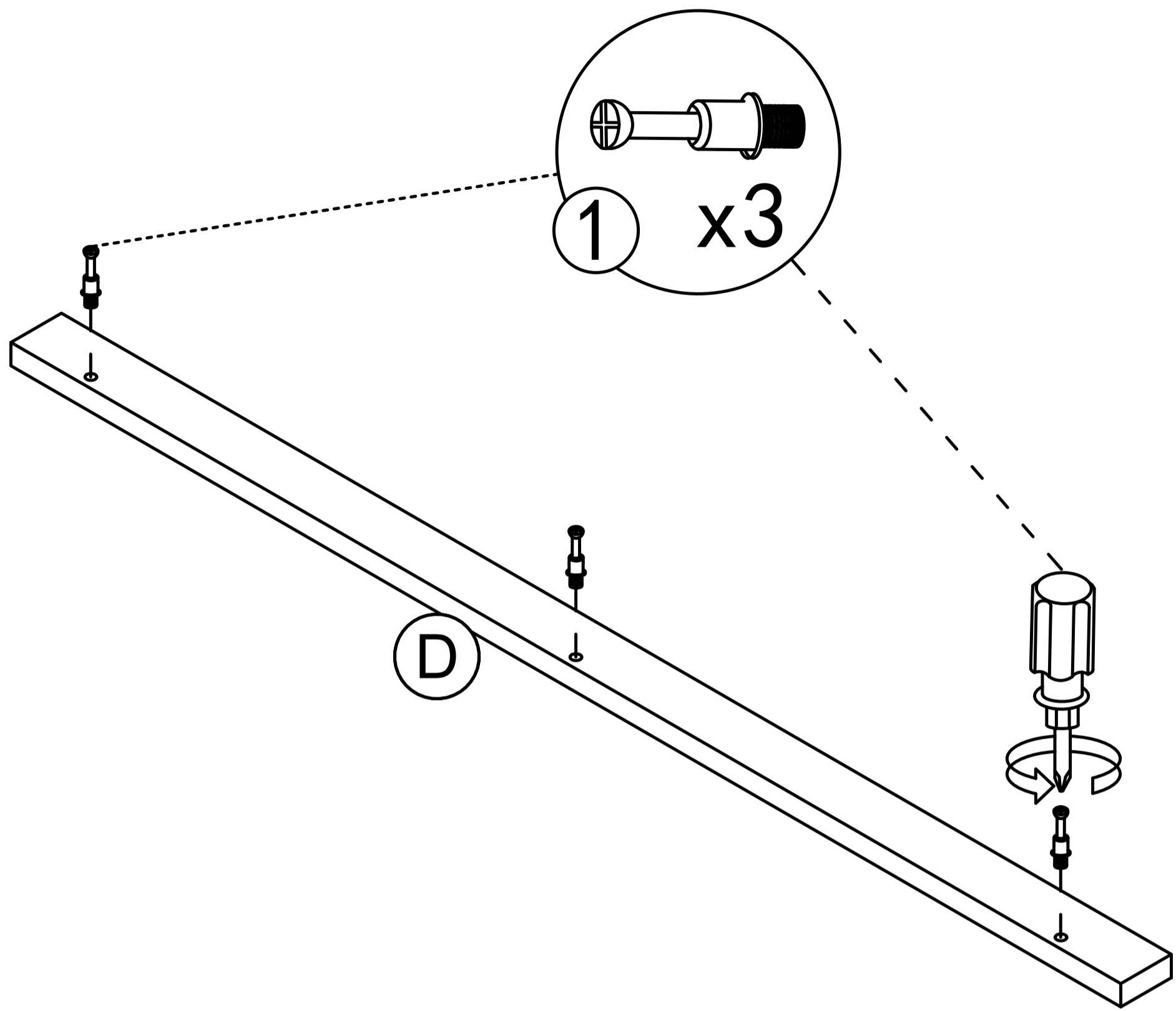
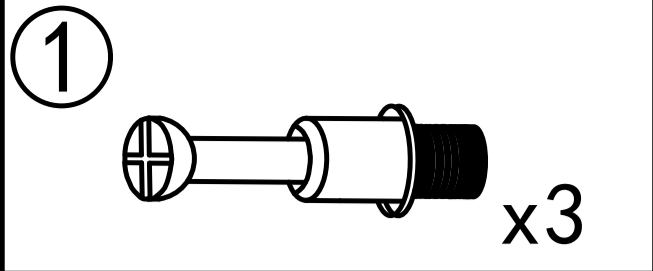
Step 13



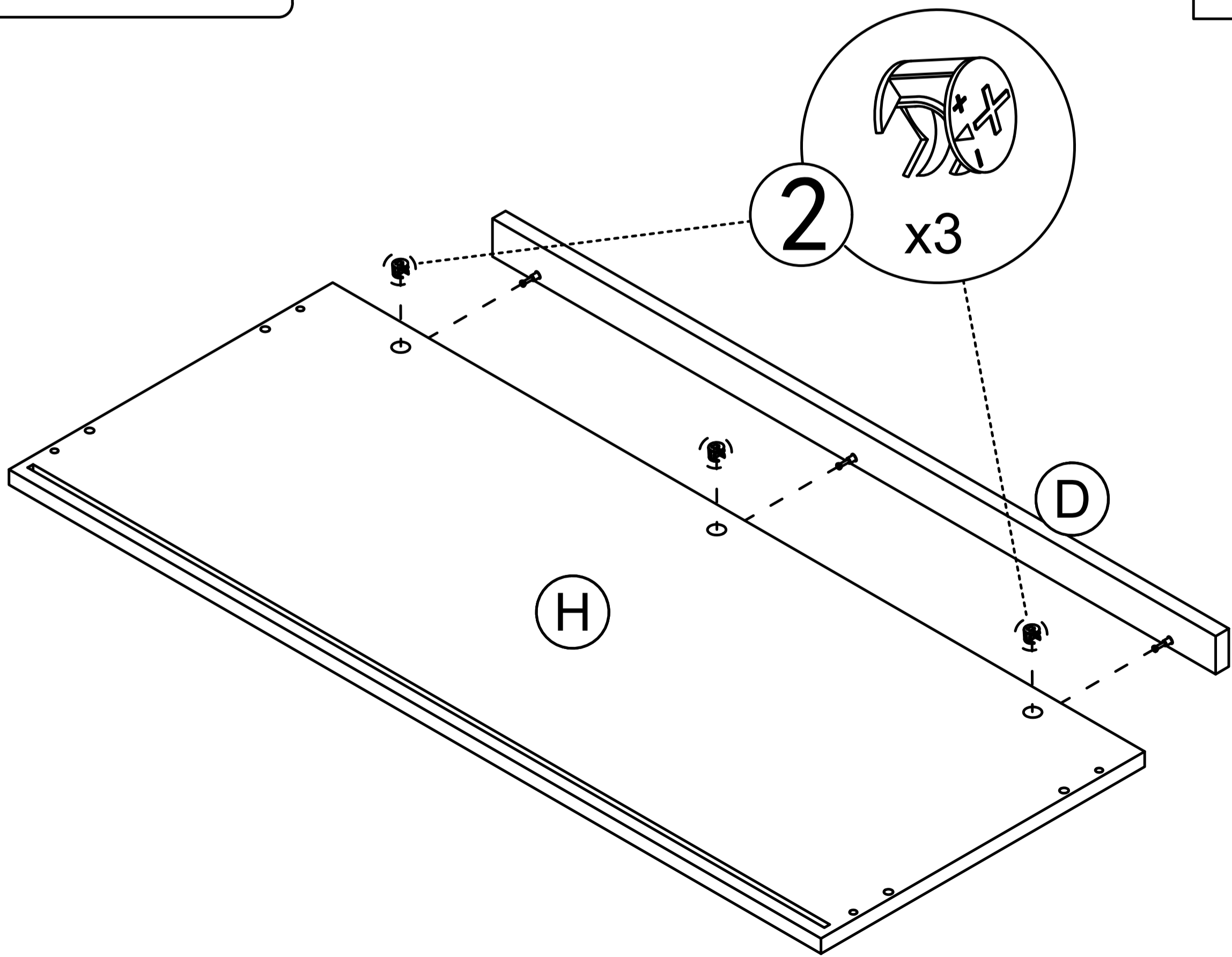
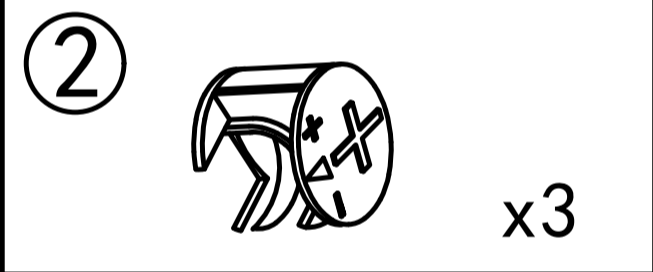
Step 14



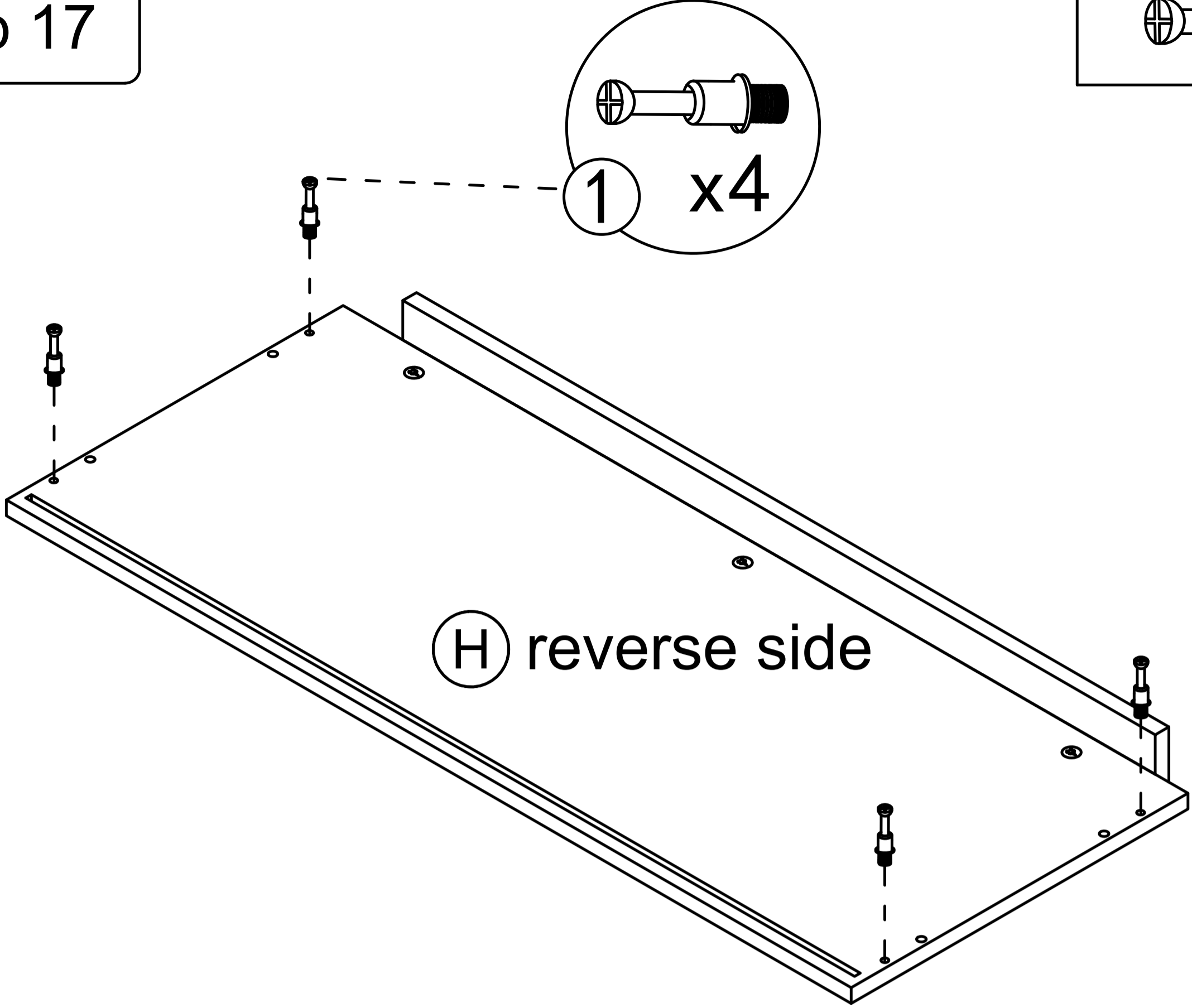
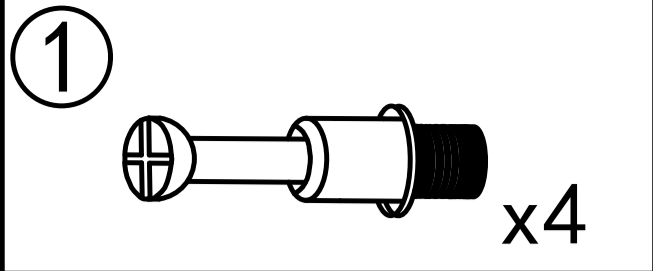
Step 15



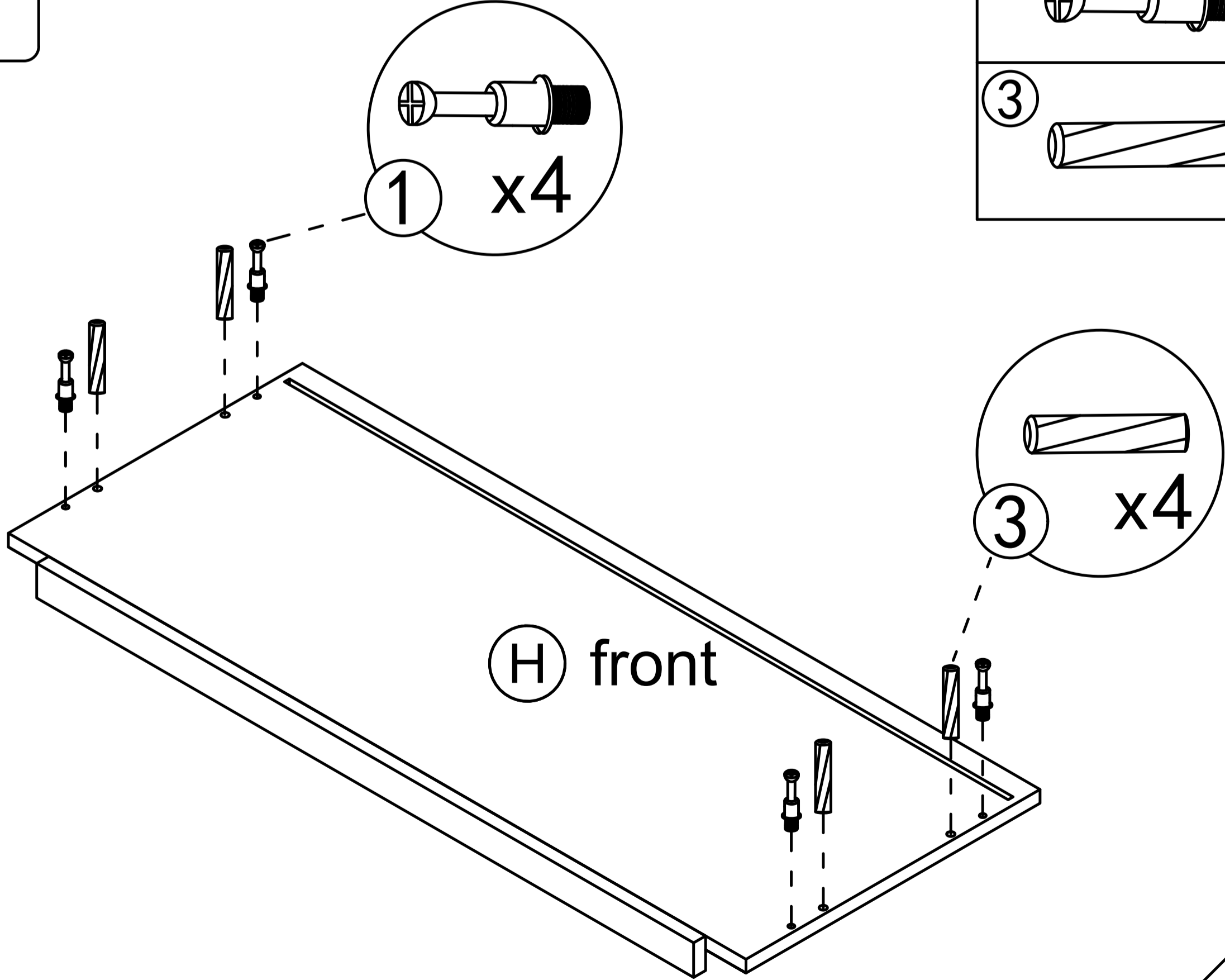
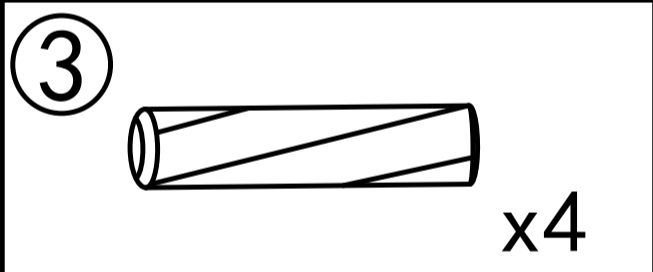
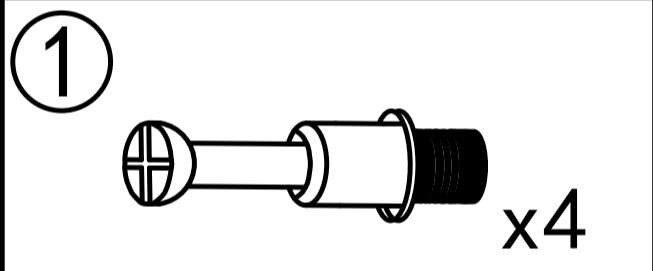
Step 16



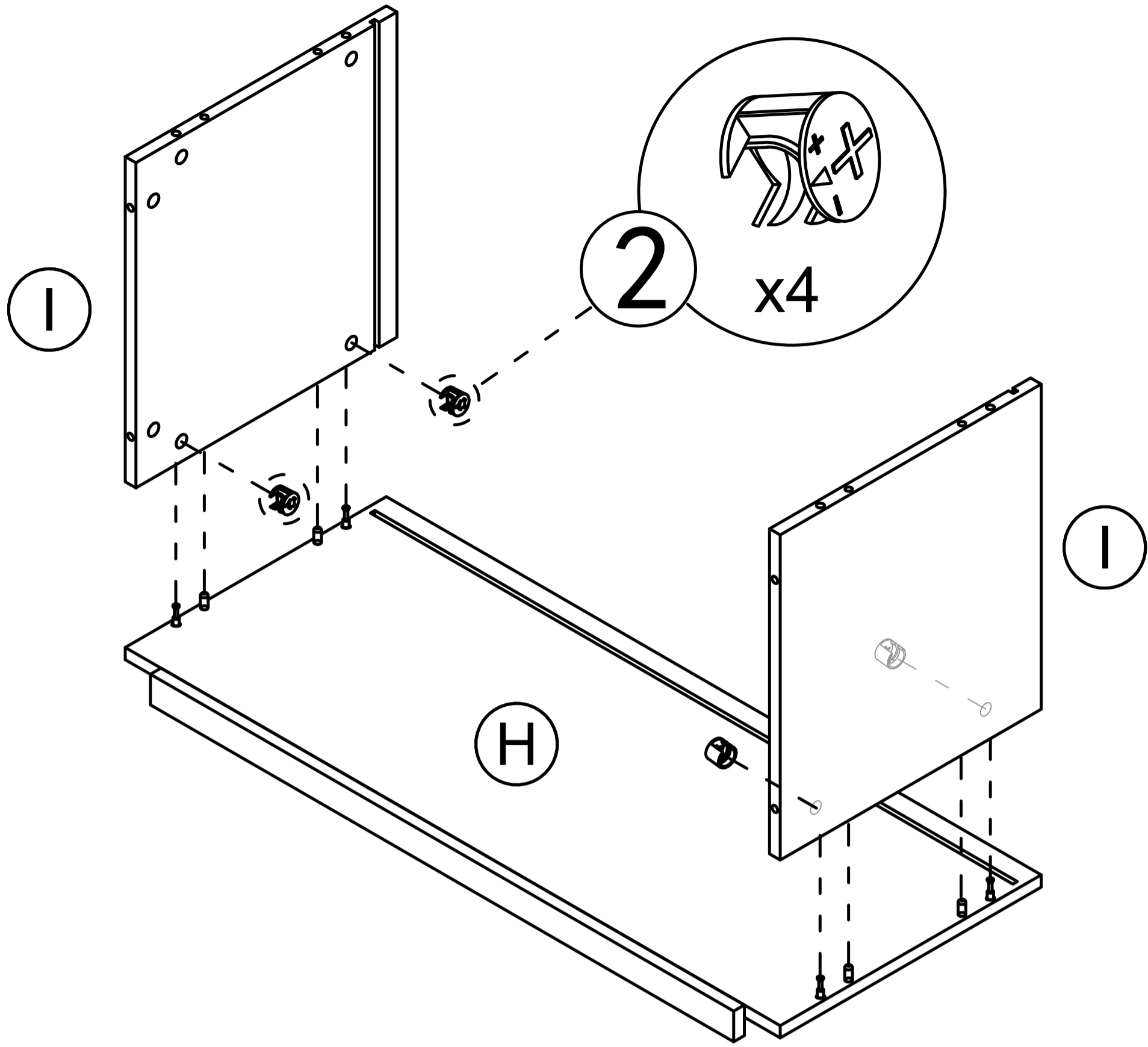
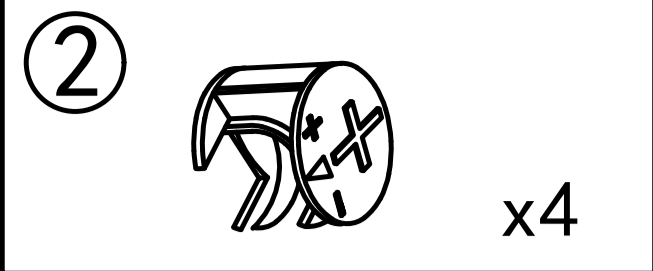
Step 17



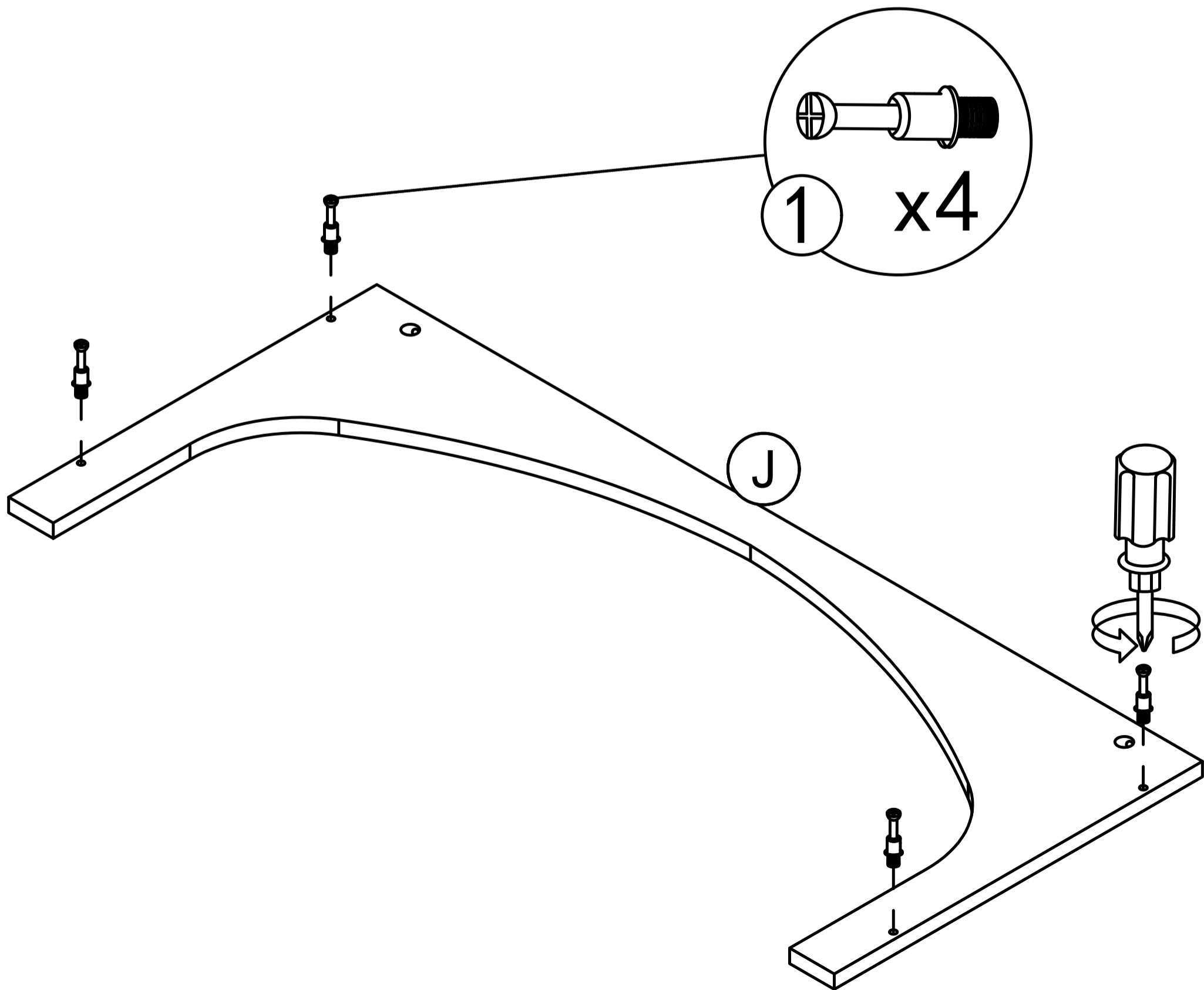
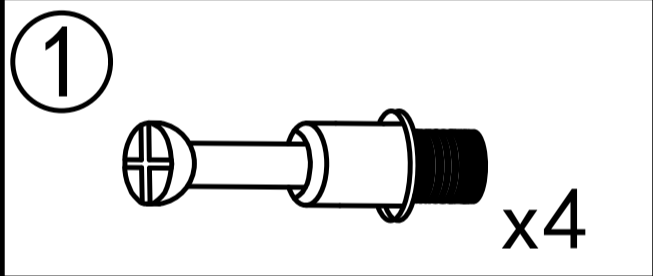
Step 18



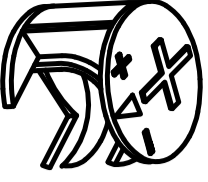
Step 19

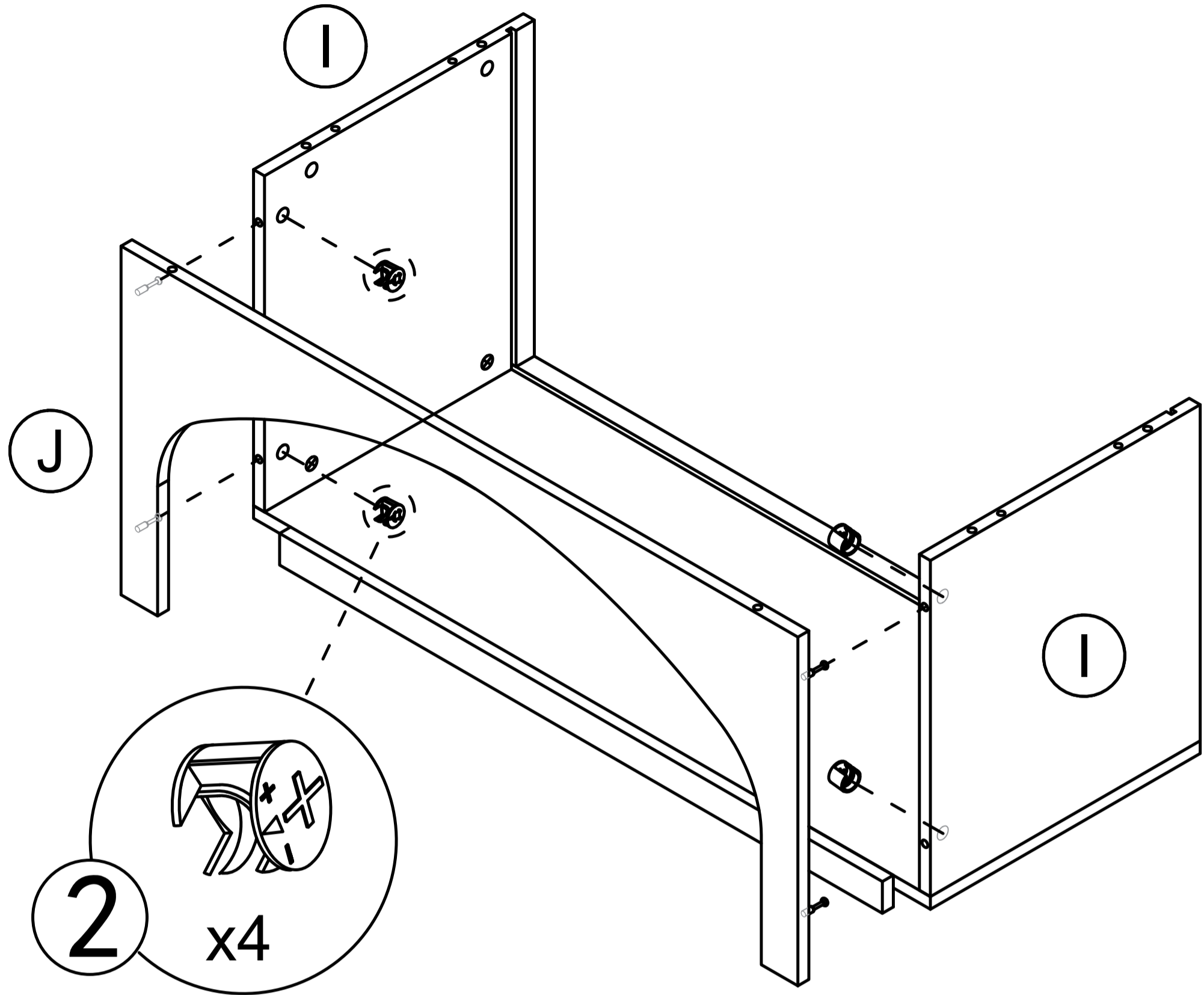


Step 20

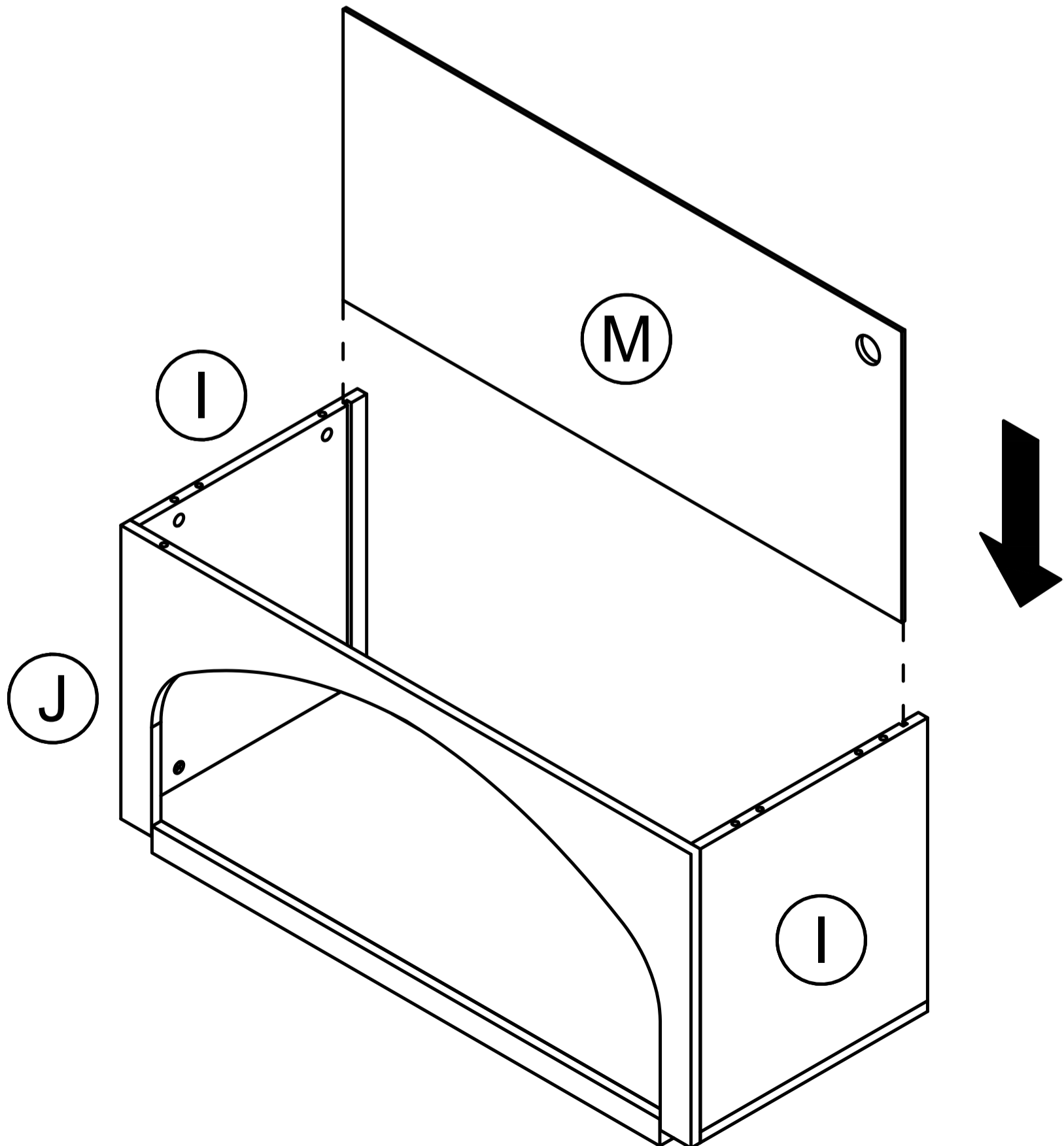


Step 21

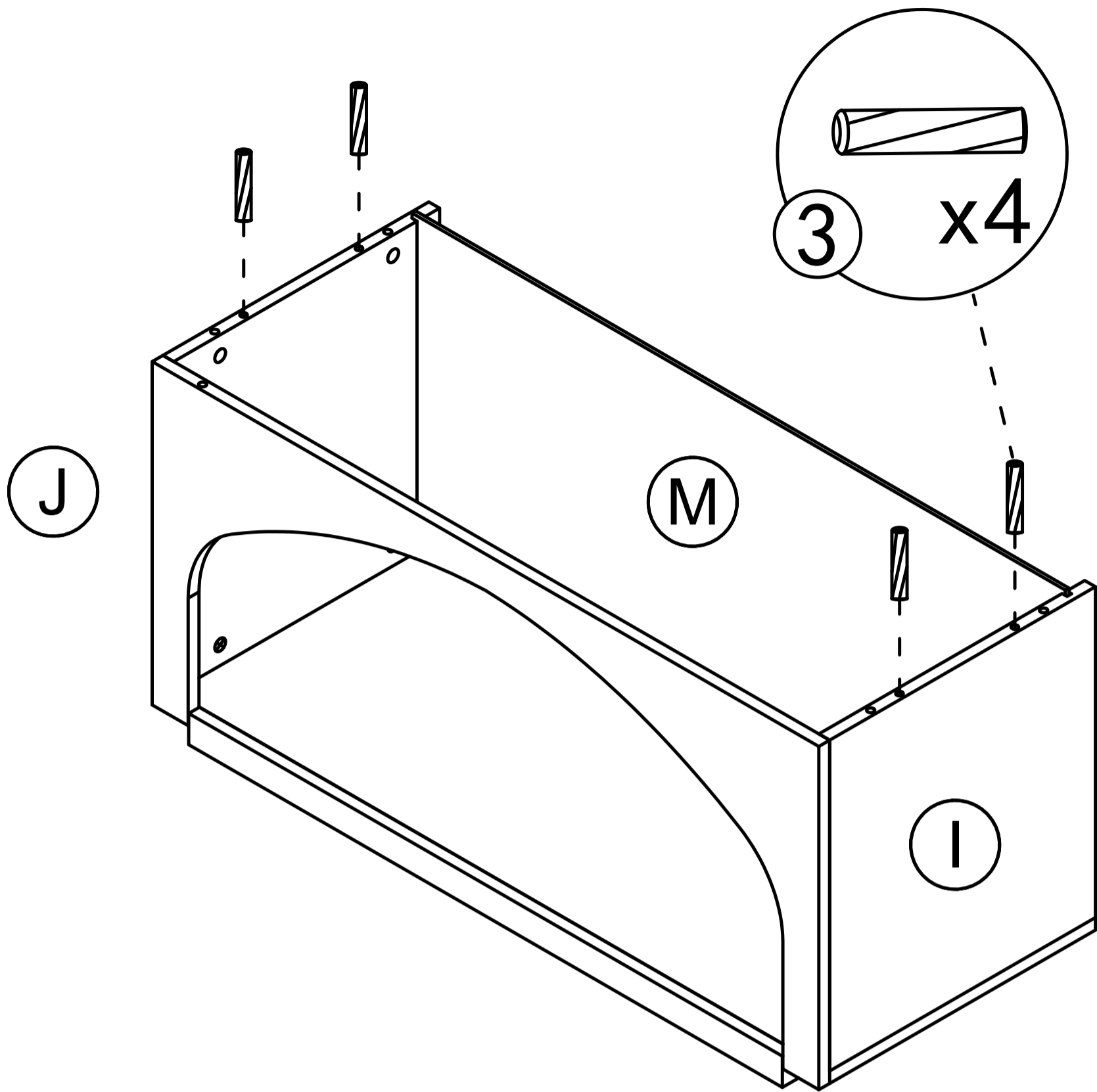
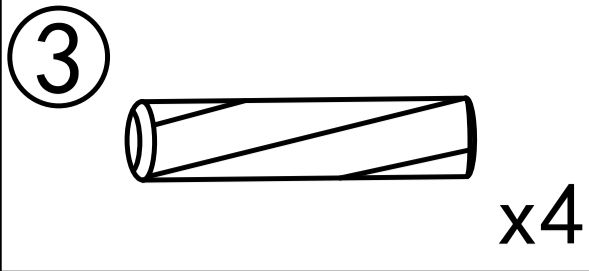
②  x4



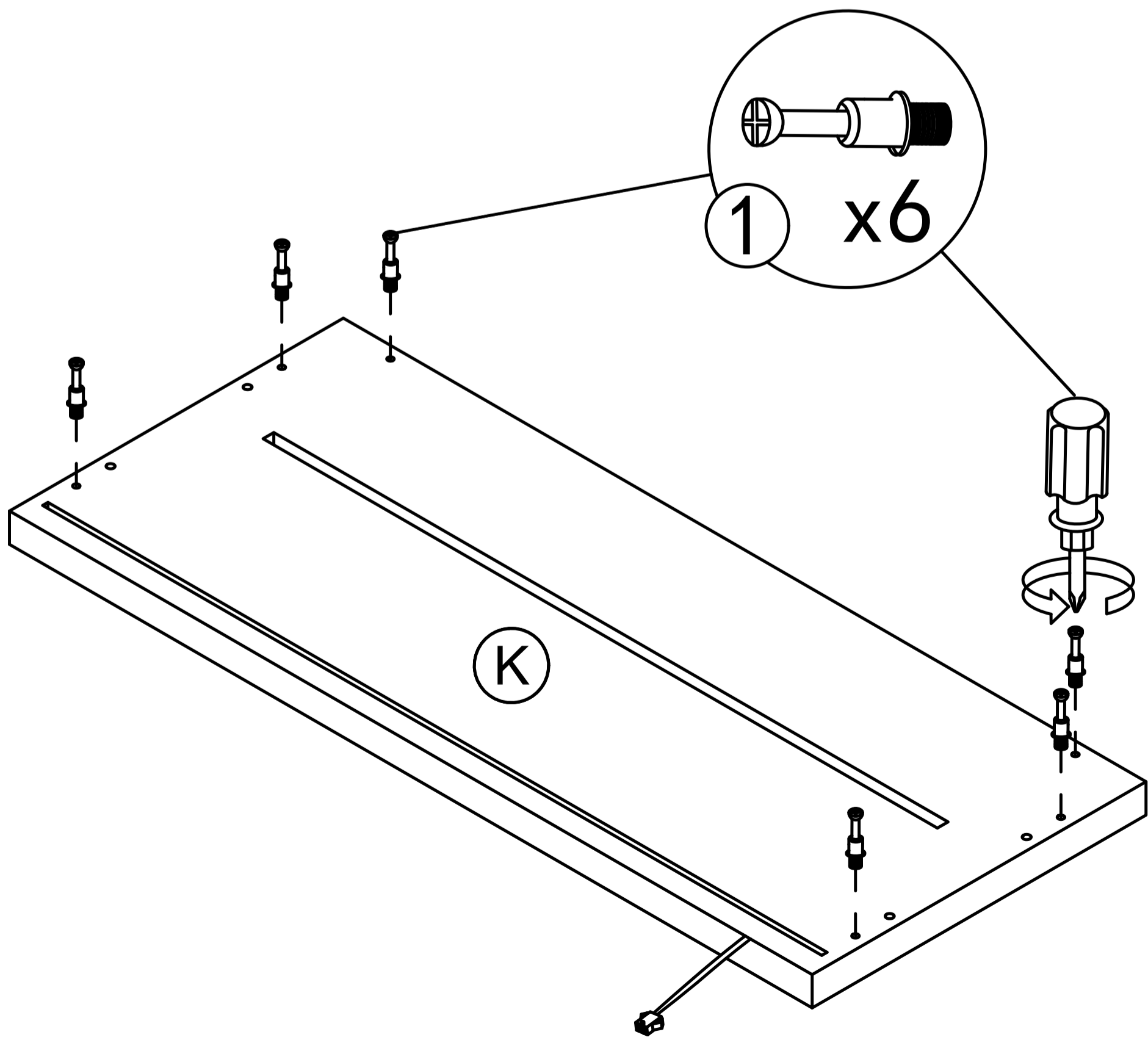
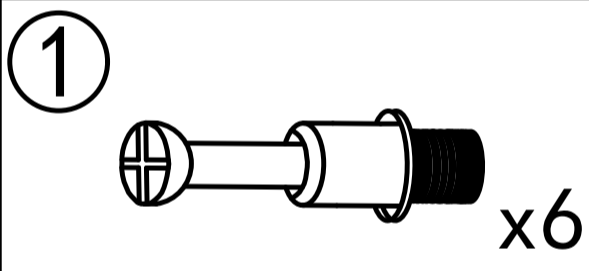
Step 22



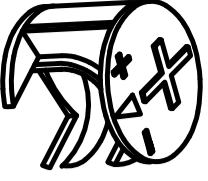
Step 23

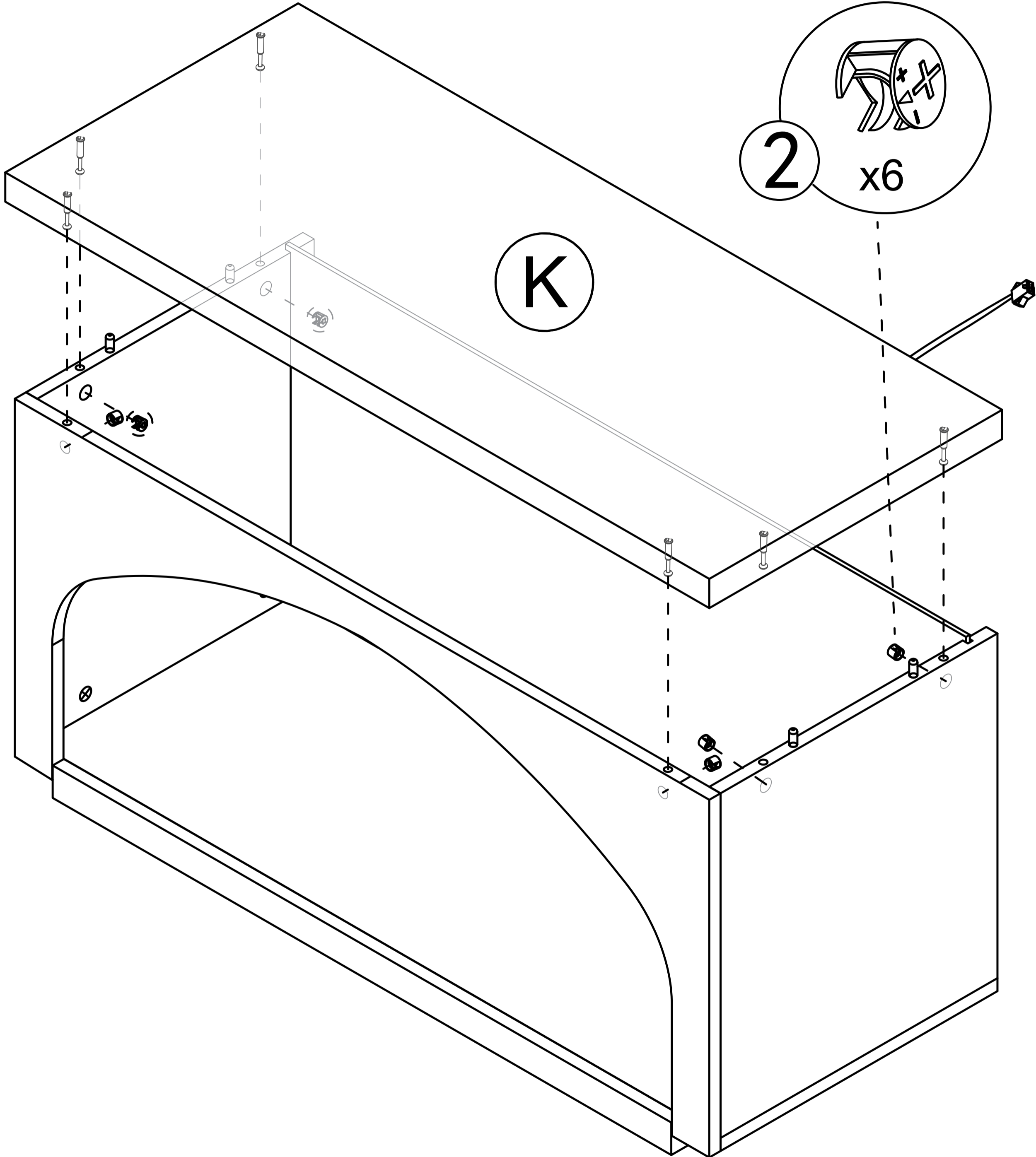


Step 24

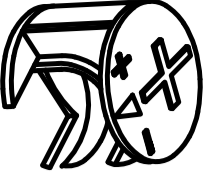


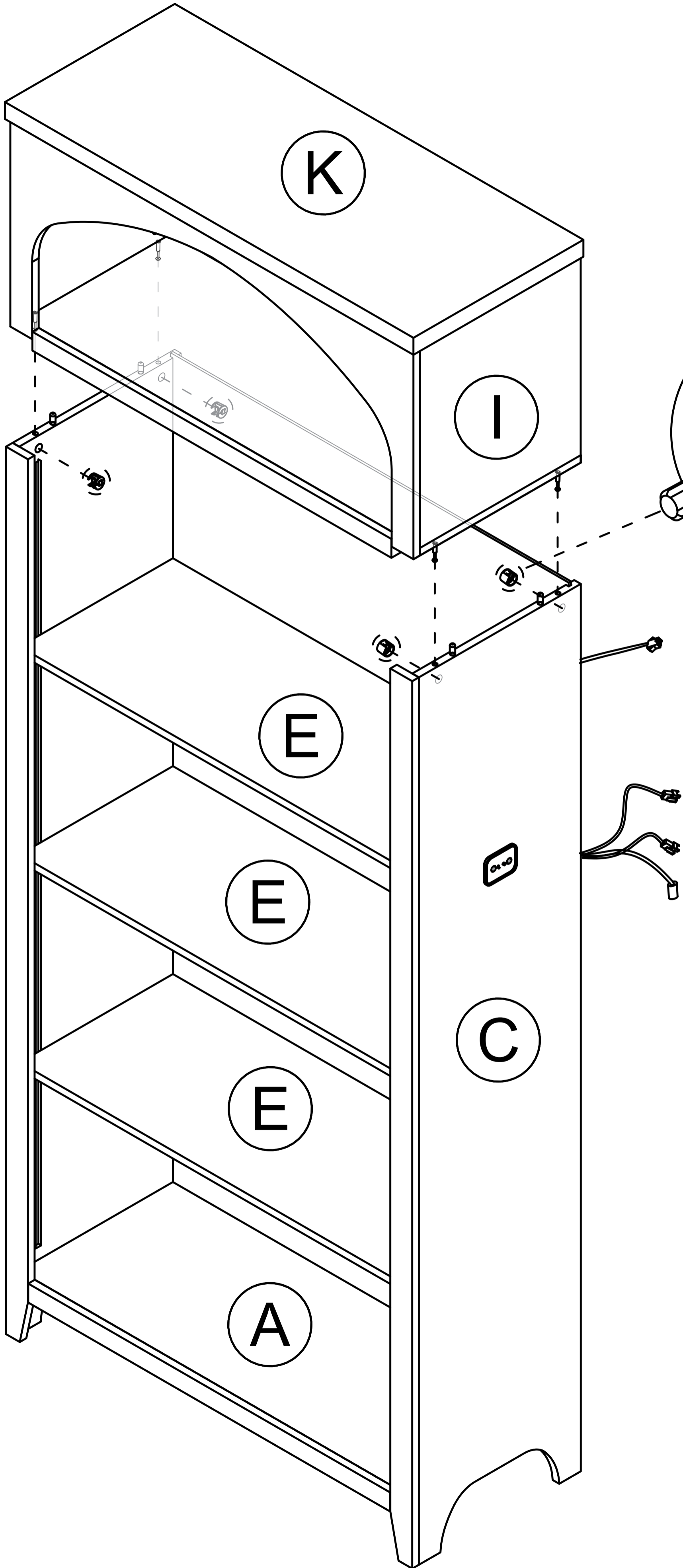
Step 25

②  x6

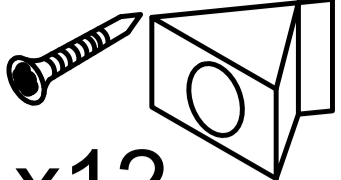


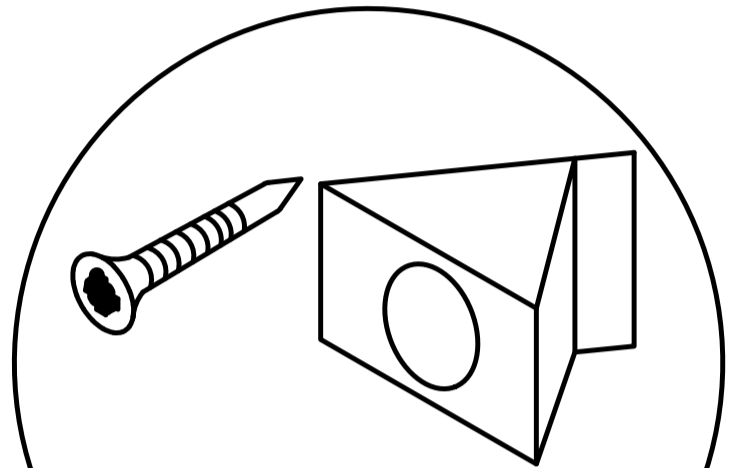
Step 26

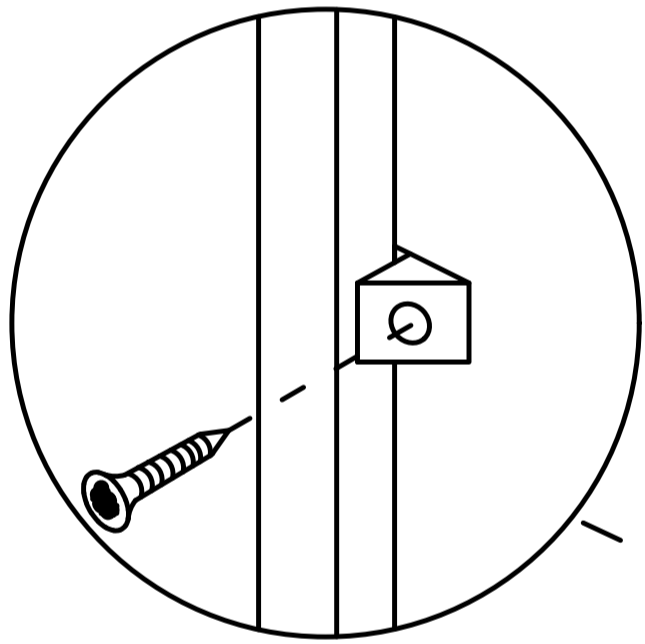
②  x4

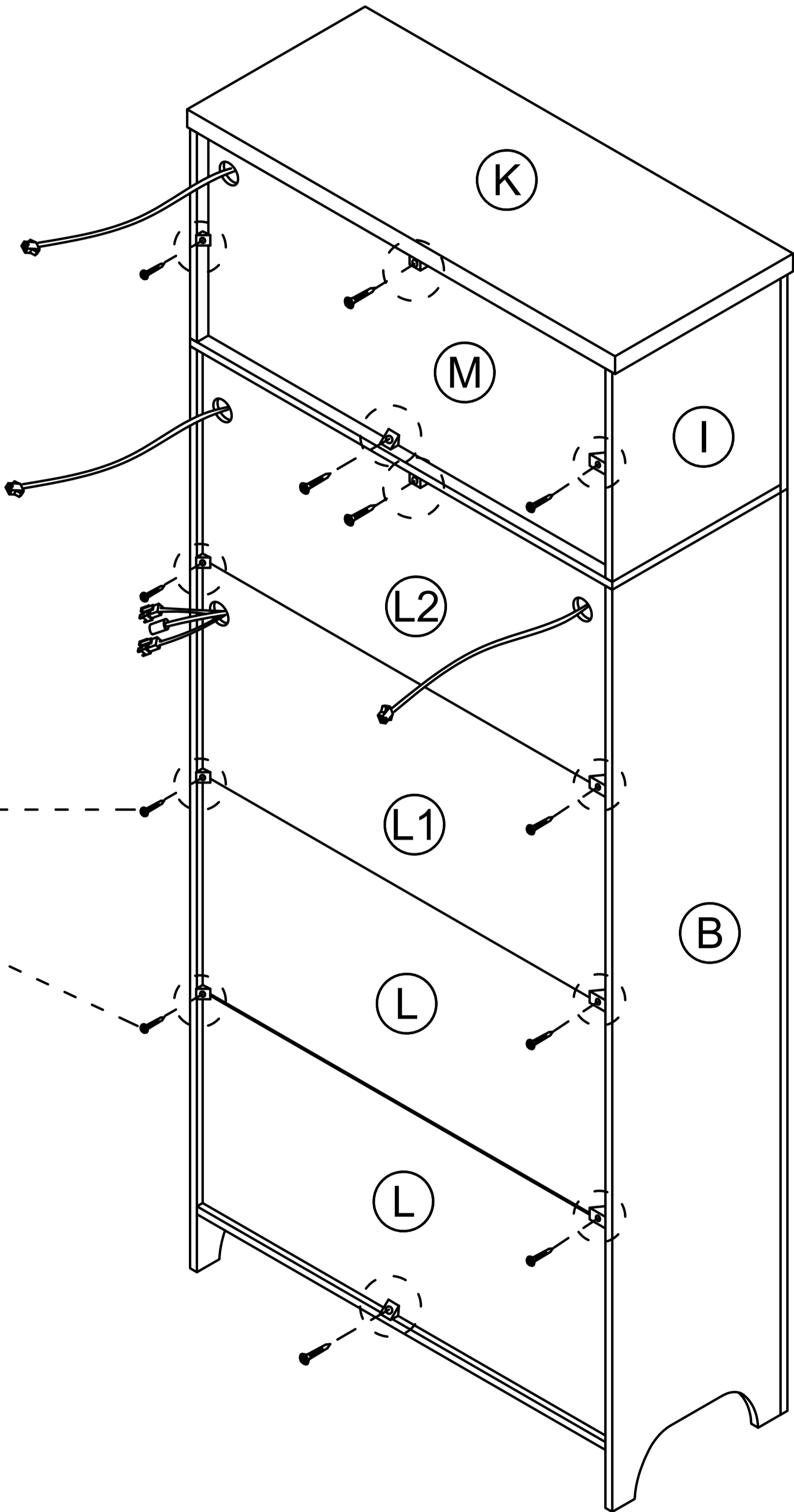


Step 27

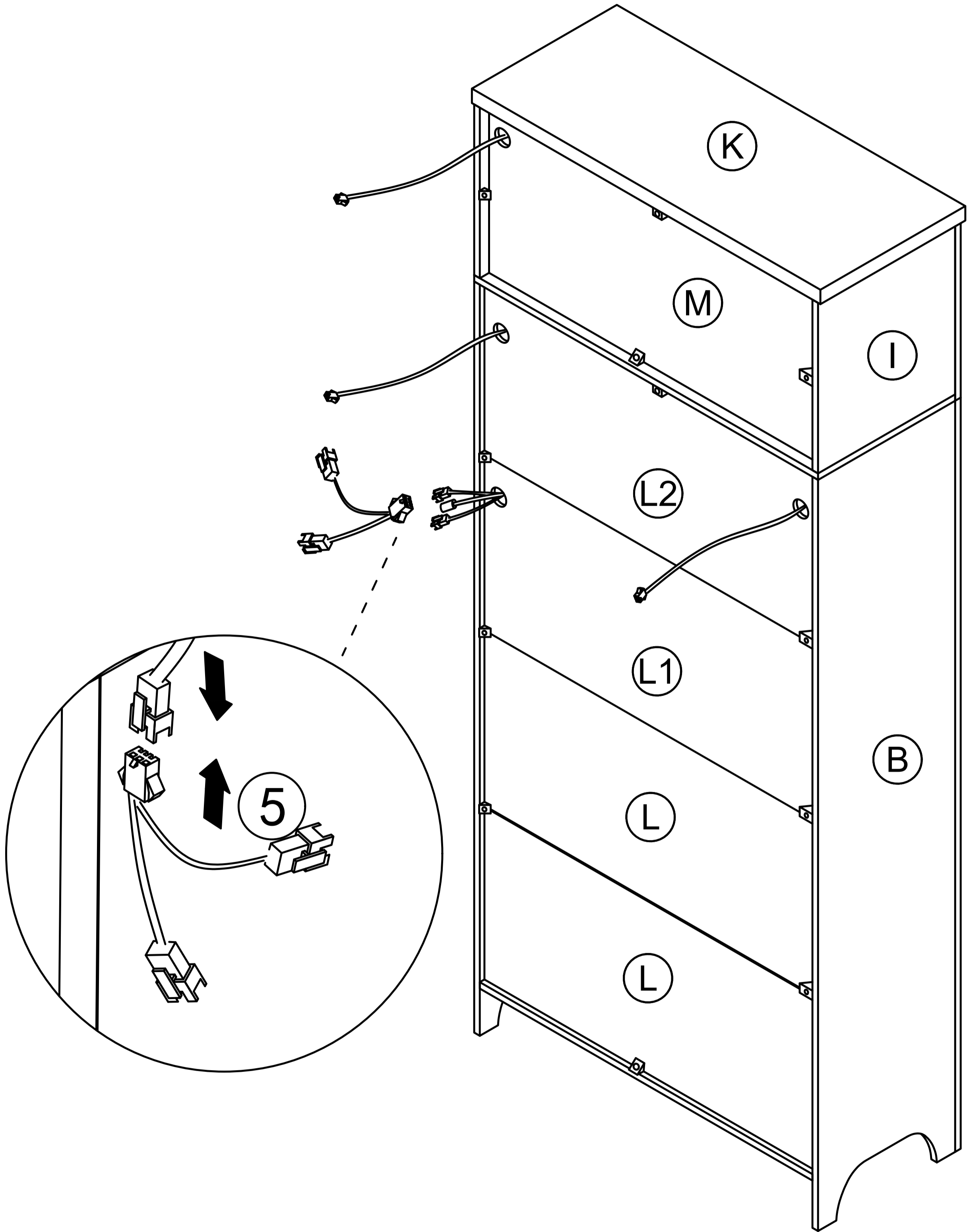
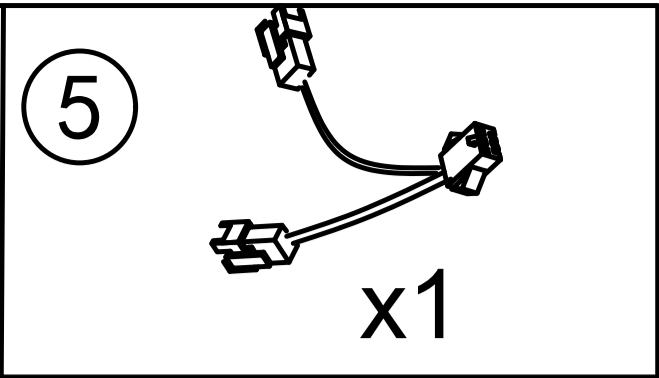
④ 
x12


④ x12

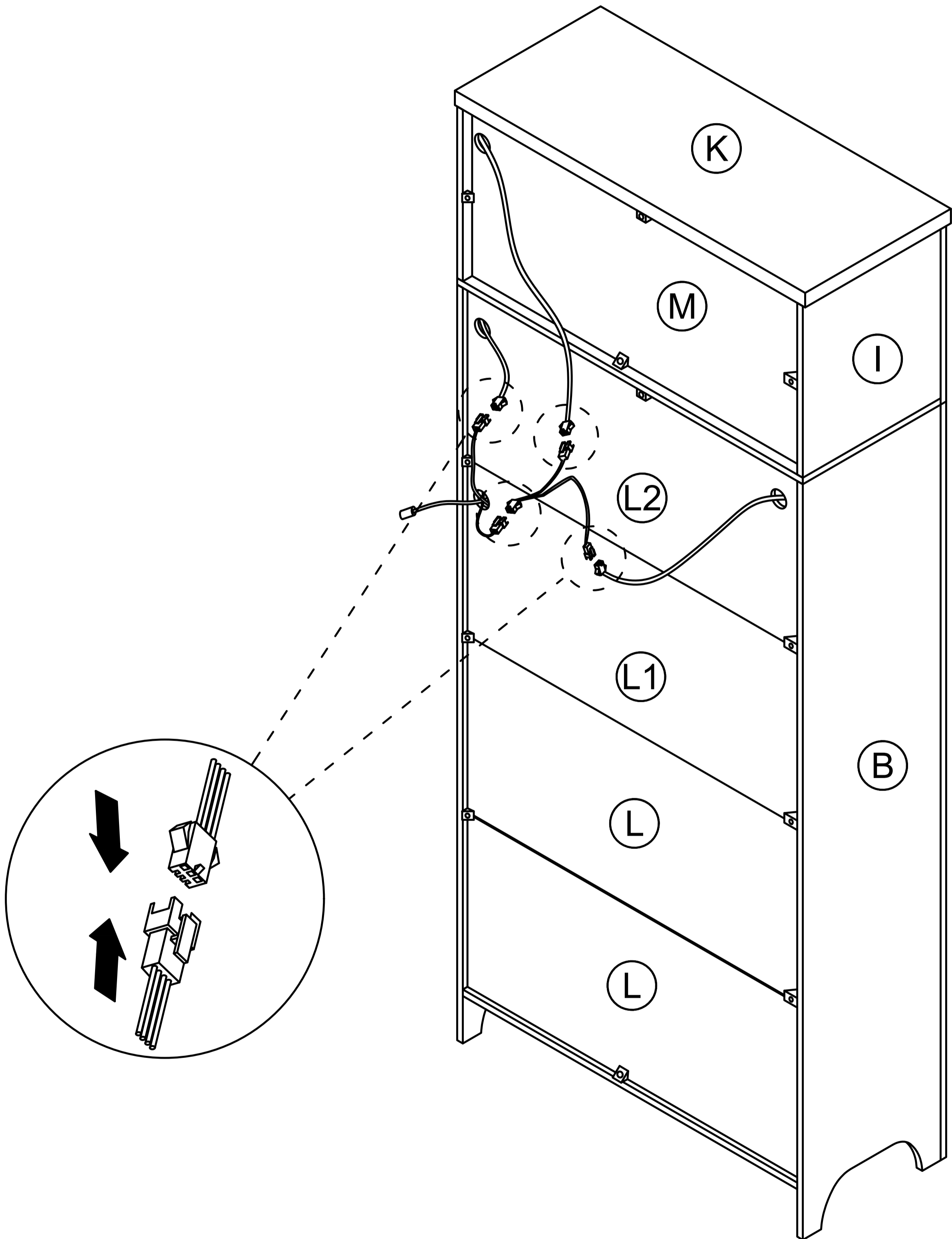






Step 28

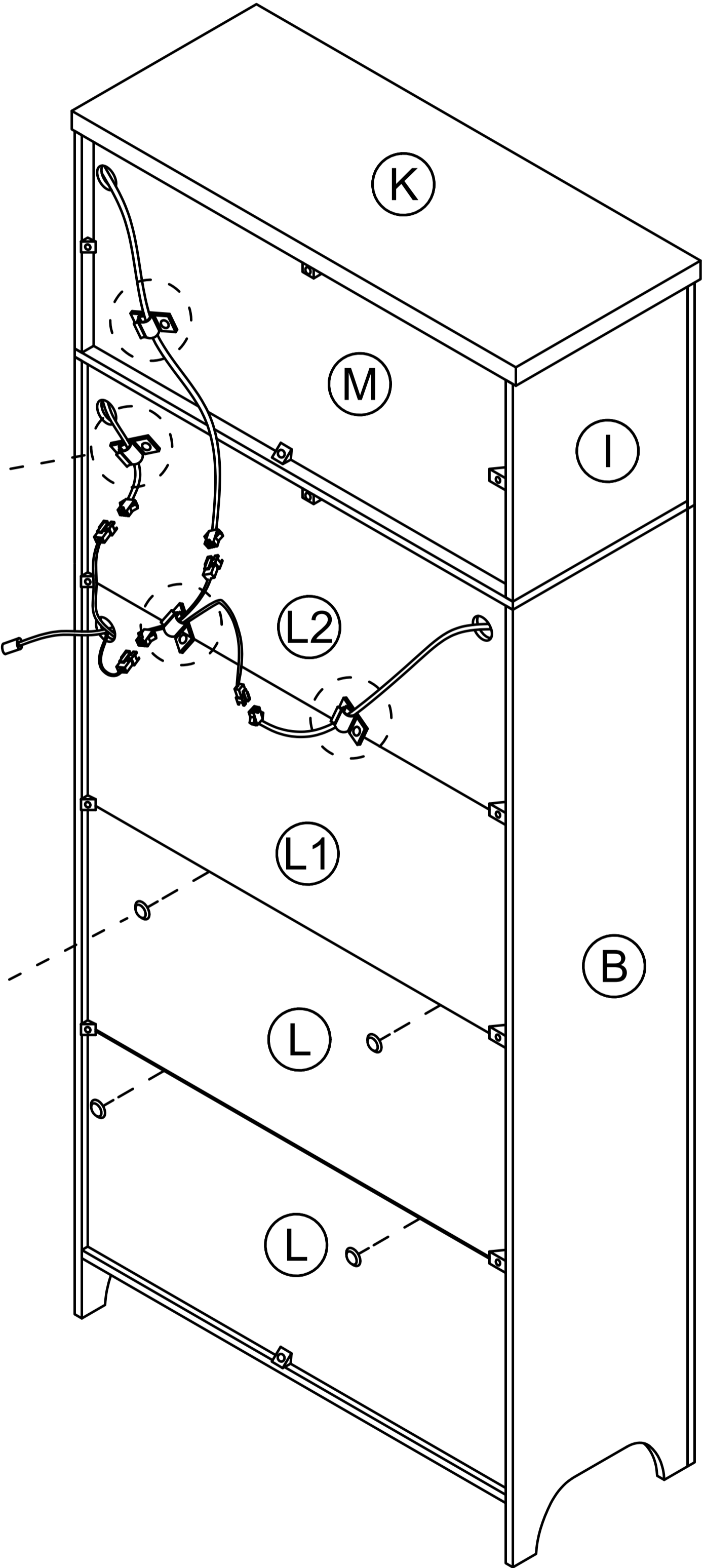
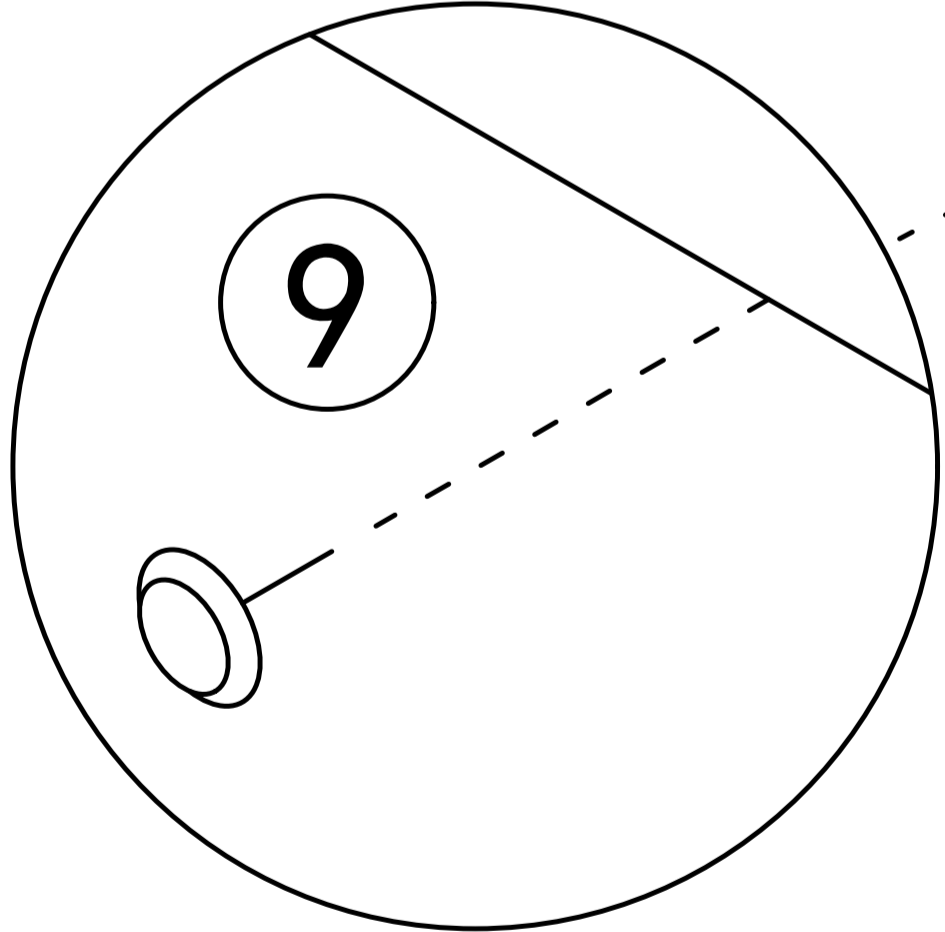
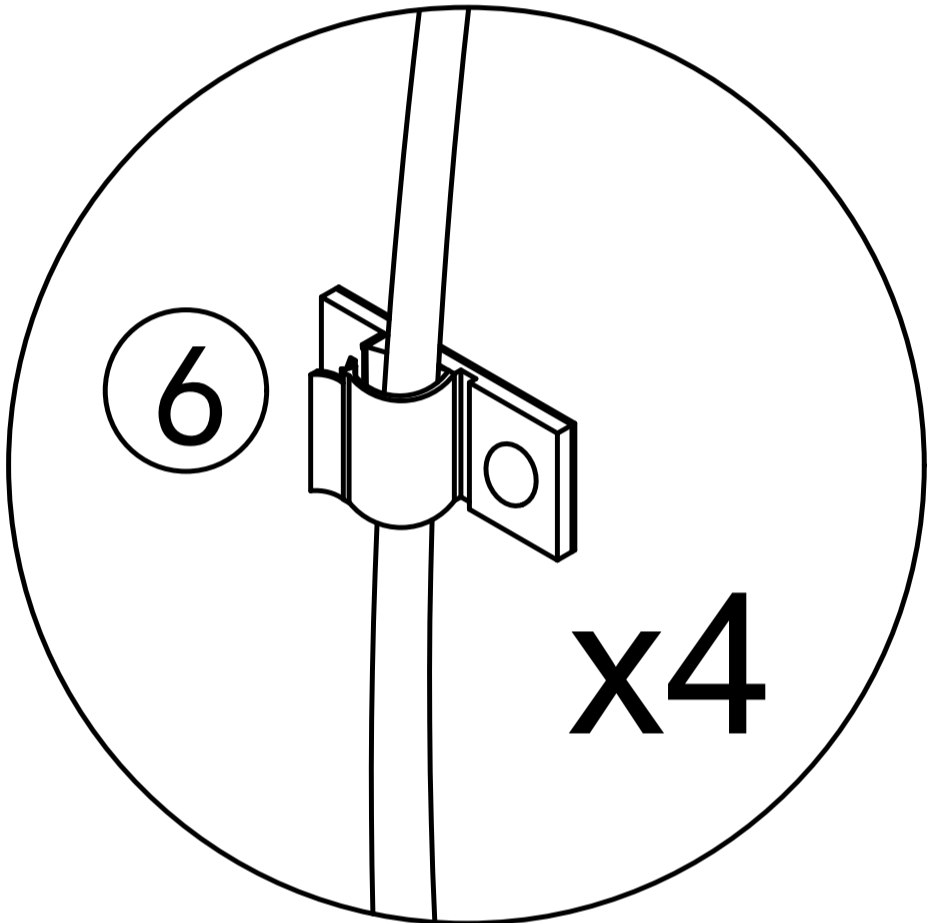


Step 29

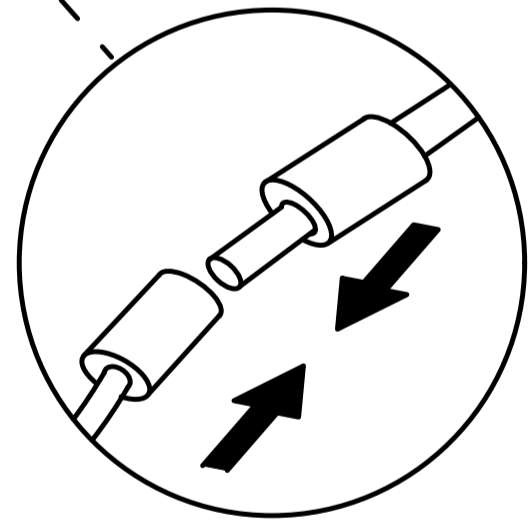
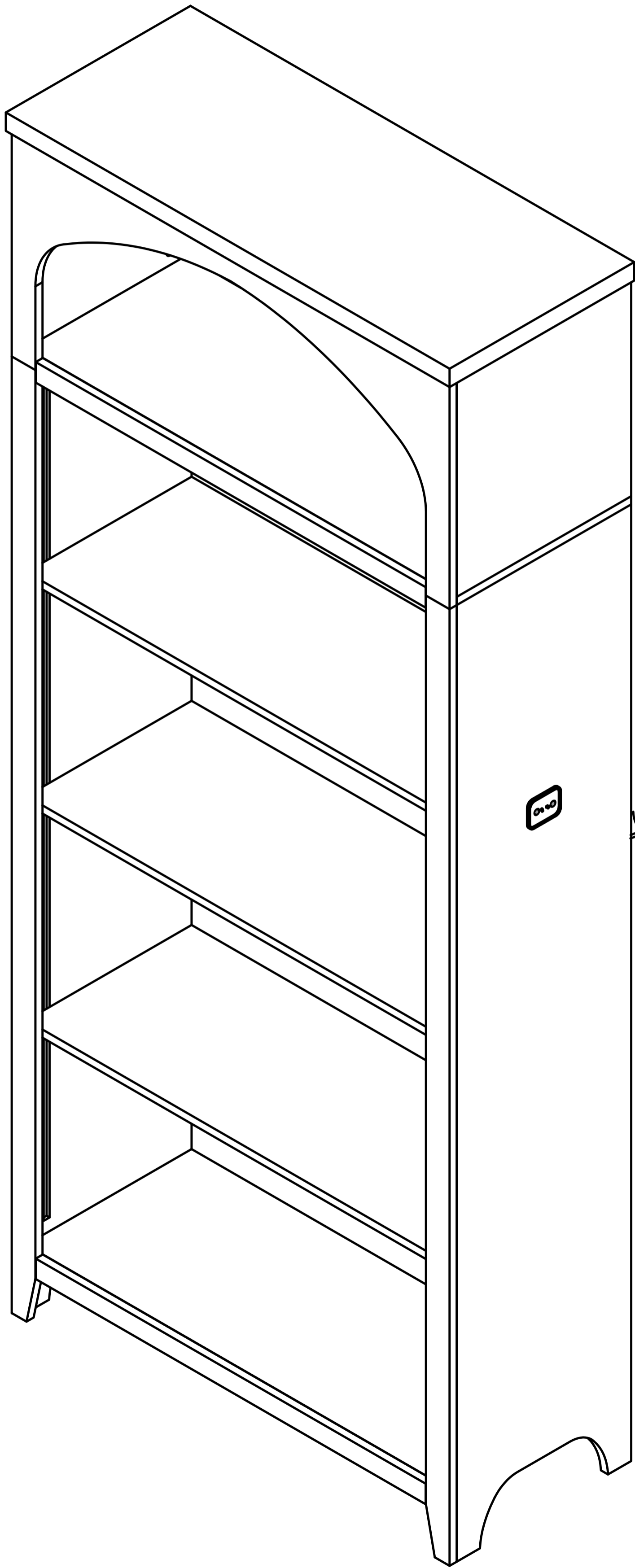
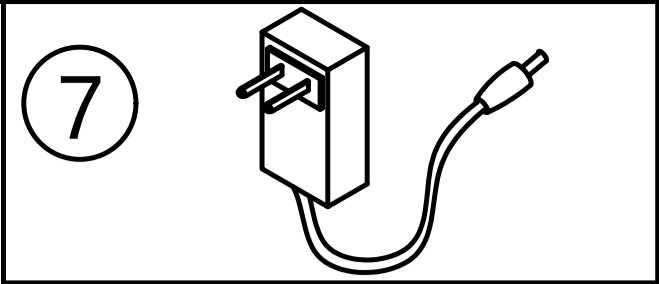


Step 30

- 6  x4
- 9  x6


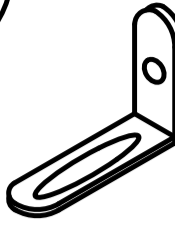
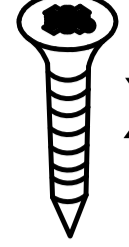
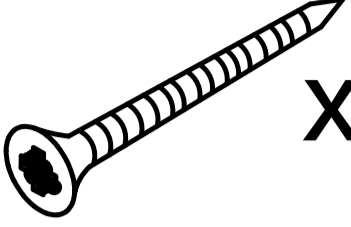



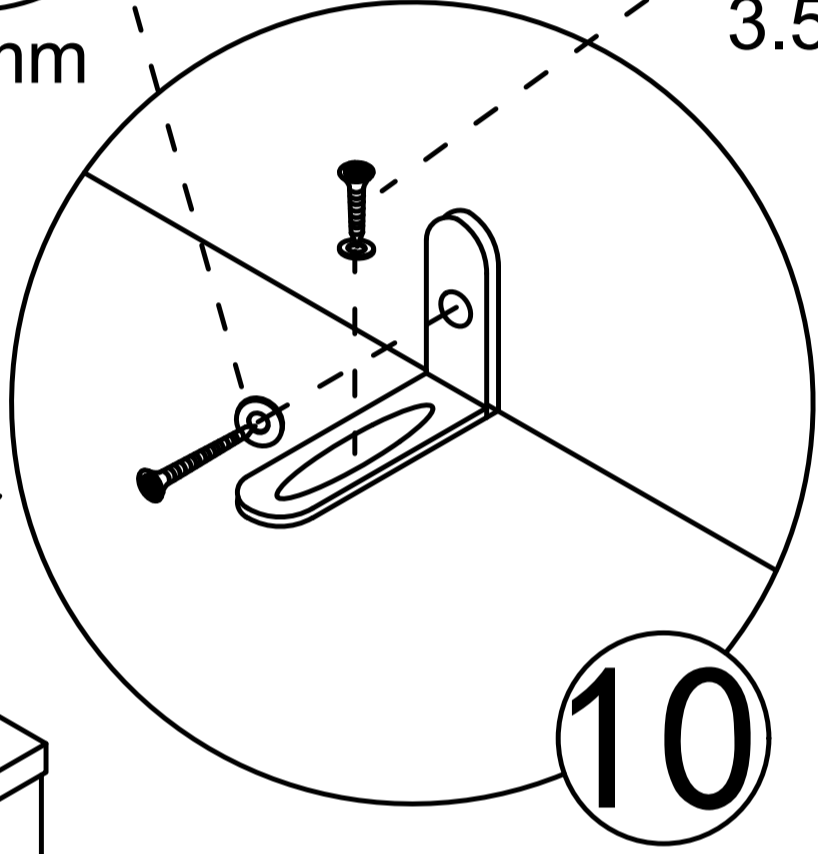
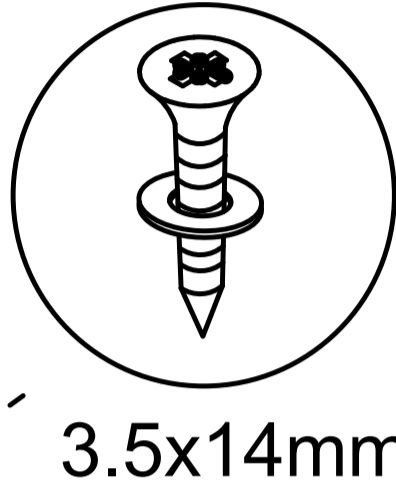
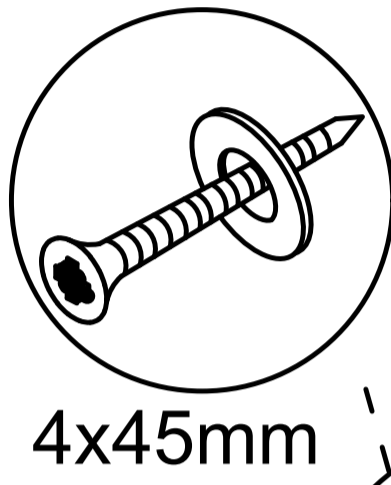
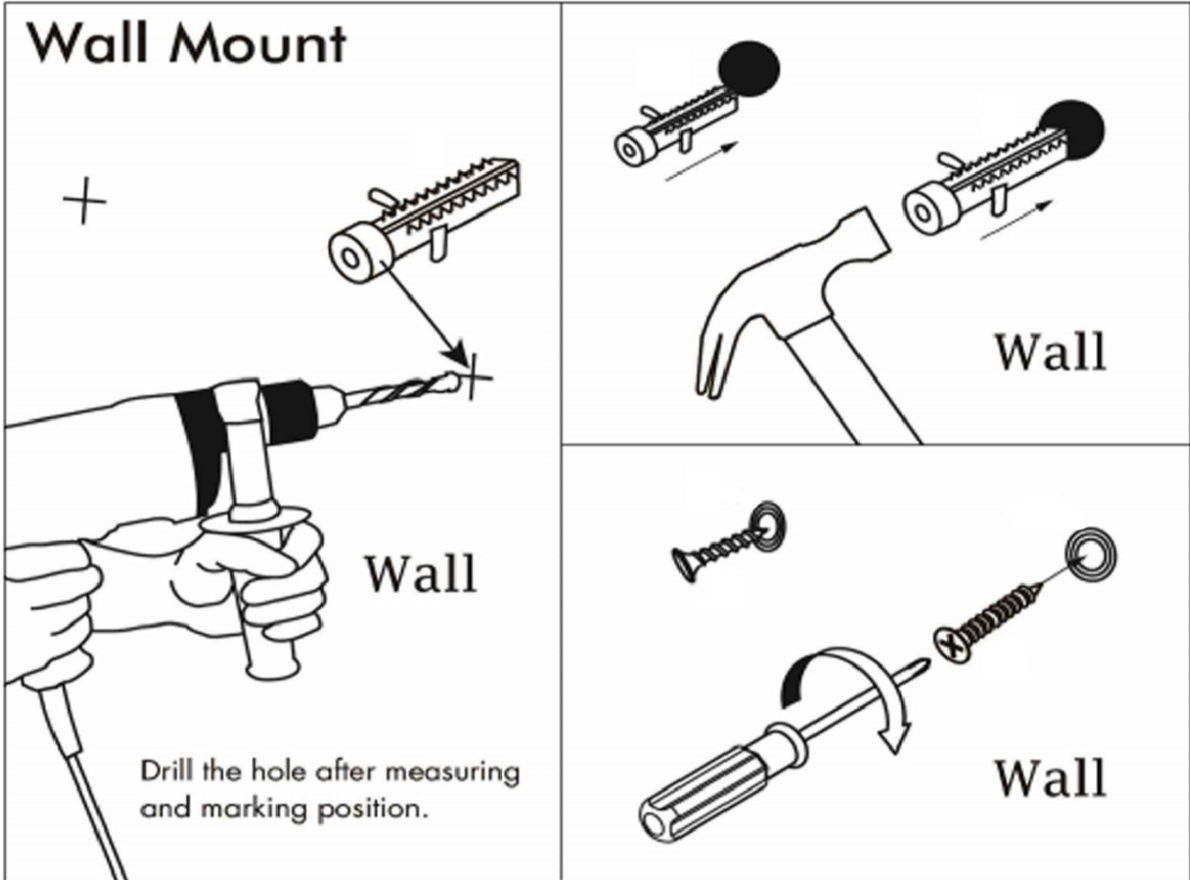
Step 31



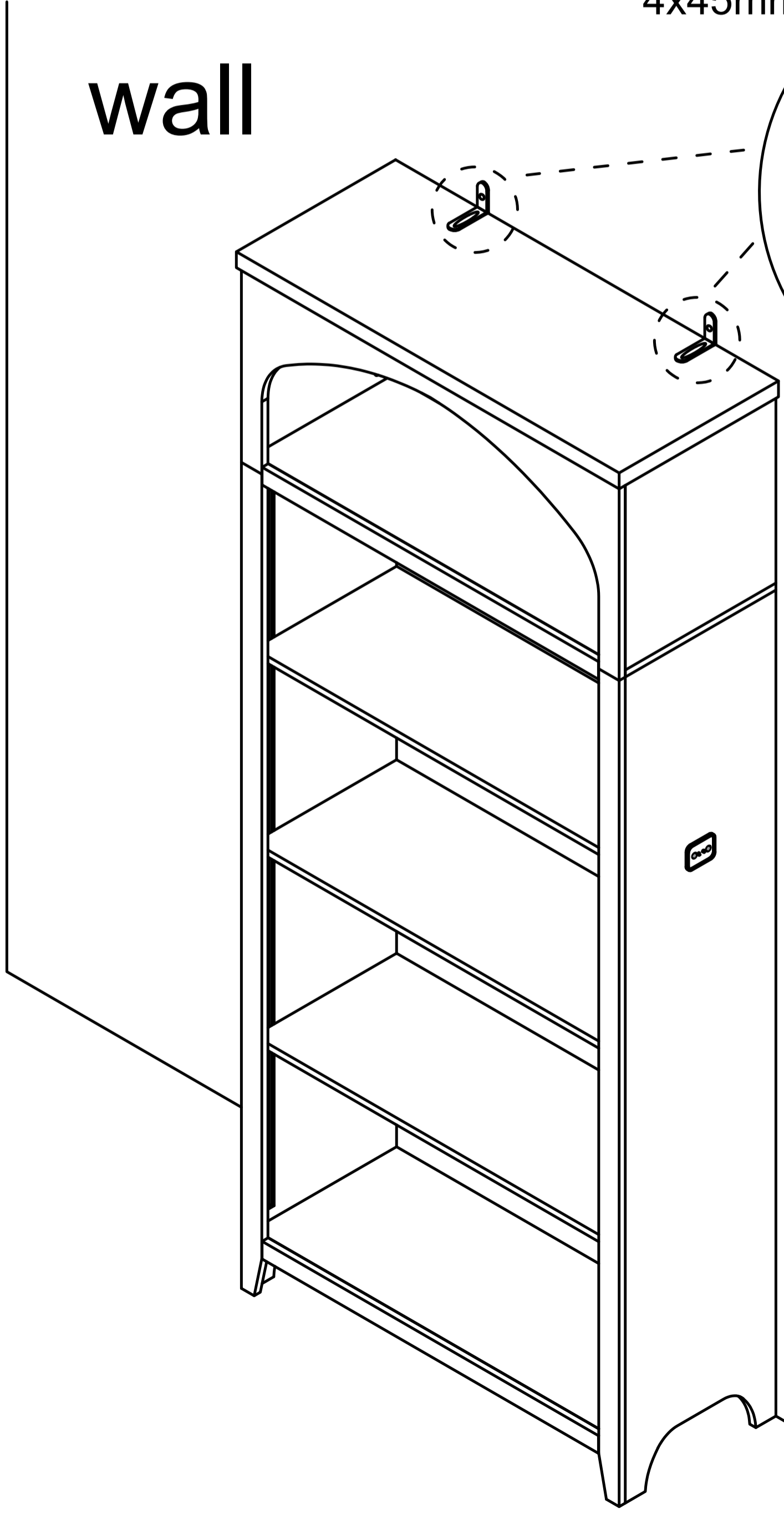
SY

Step 32

- 10  x2
-  x2
-  x2
-  x2
-  x4



wall



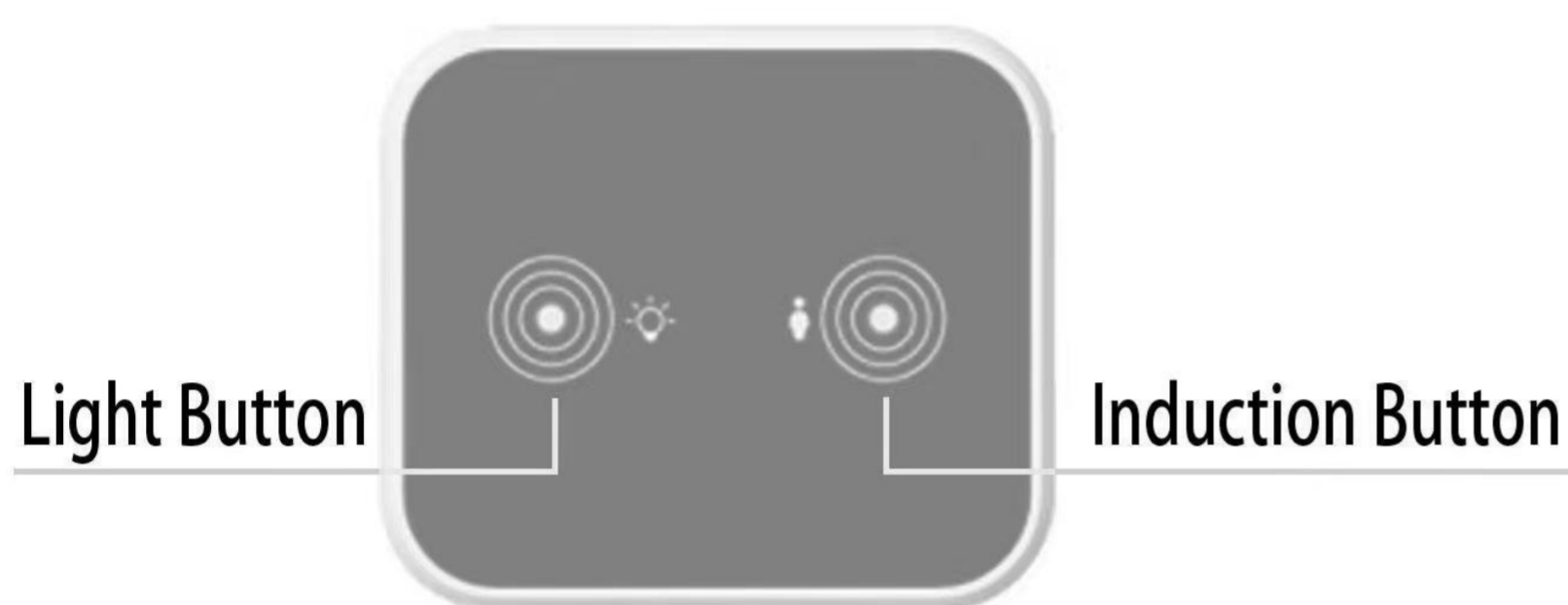
User's Guide

Thank you for purchasing this product. To use this product, please plug it into a 12V DC power supply. Please use if the product works normally after connecting to power.

Introduction

The box is an intelligent controller with 2 touch buttons. It can turn ON/OFF the light, change light colors, and adjust the light luminance.

Product Show



ATTENTION PLEASE

1. If there is no touch response suddenly, Re-plug the power to reset the touch static electricity.
2. If bubbles appear on the panel, remove the protective film.

Operation



This touch button is used to turn on/off, change colors, and adjust brightness.

A. Short touch -> lighting on -> short touch -> change light color -> short touch -> change light color -> short touch -> lighting off. B. Long touch -> adjust the luminance



This touch button is used to turn on/off the induction function.

A. Short touch to turn on the induction function. It can auto-turn on the light when people are close to the controller in 1 meters. It can auto power off the light when the body is far away from the controller after 30 seconds.

B. Long touch to turn off the induction function.

C. Note: When you touch the light button to change the light modes, the induction function will automatically turn off. It is best to turn on this function after selecting the light color and adjusting the brightness you want.