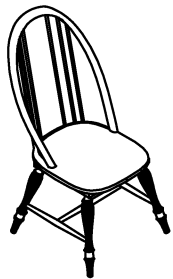


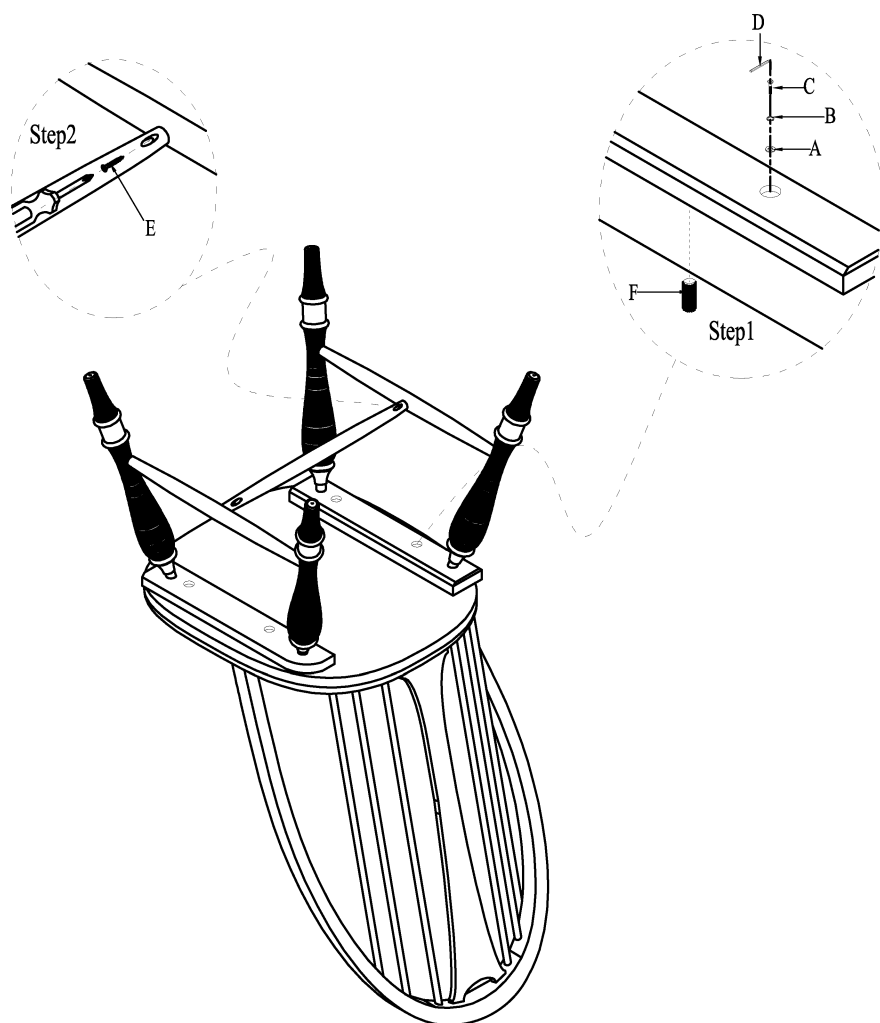
ASSEMBLY INSTRUCTION

76-063 BAYLIS SIDE CHAIRS .



IMPORTANT NOTES :

- . Place all wooden parts on a clean and smooth surface such as a rug or carpet to prevent the parts from being scratched.
- . Check to be sure that you have all parts and hardware.
- . Remove all wrapping materials, including staples and packing straps before you start to assemble.
- . Do not tighten all screws and bolts until completely assembled.
- . Keep all hardware out of the reach of children.



NO.	PART DESCRIPTION	QTY
A	Flat washer 5/16*19	4pcs
B	Lock washer 5/16"	4pcs
C	Bolt 5/16*35mm	4pcs
D	Allen Key	1pcs
E	SCREW (8*32mm)	2pcs
F	DOWEL (10*30mm)	2pcs