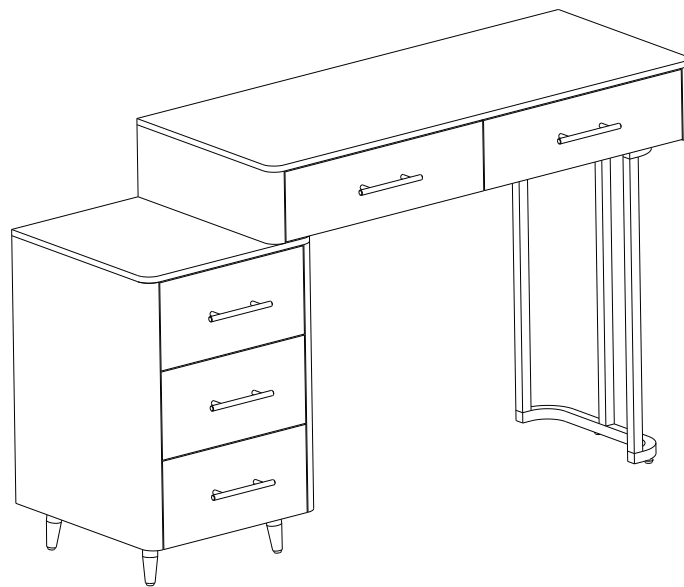
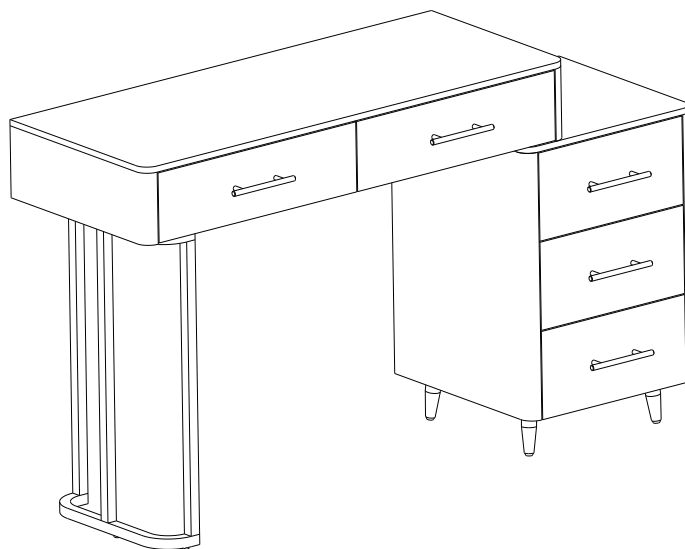


ASSEMBLY INSTRUCTIONS

α



β



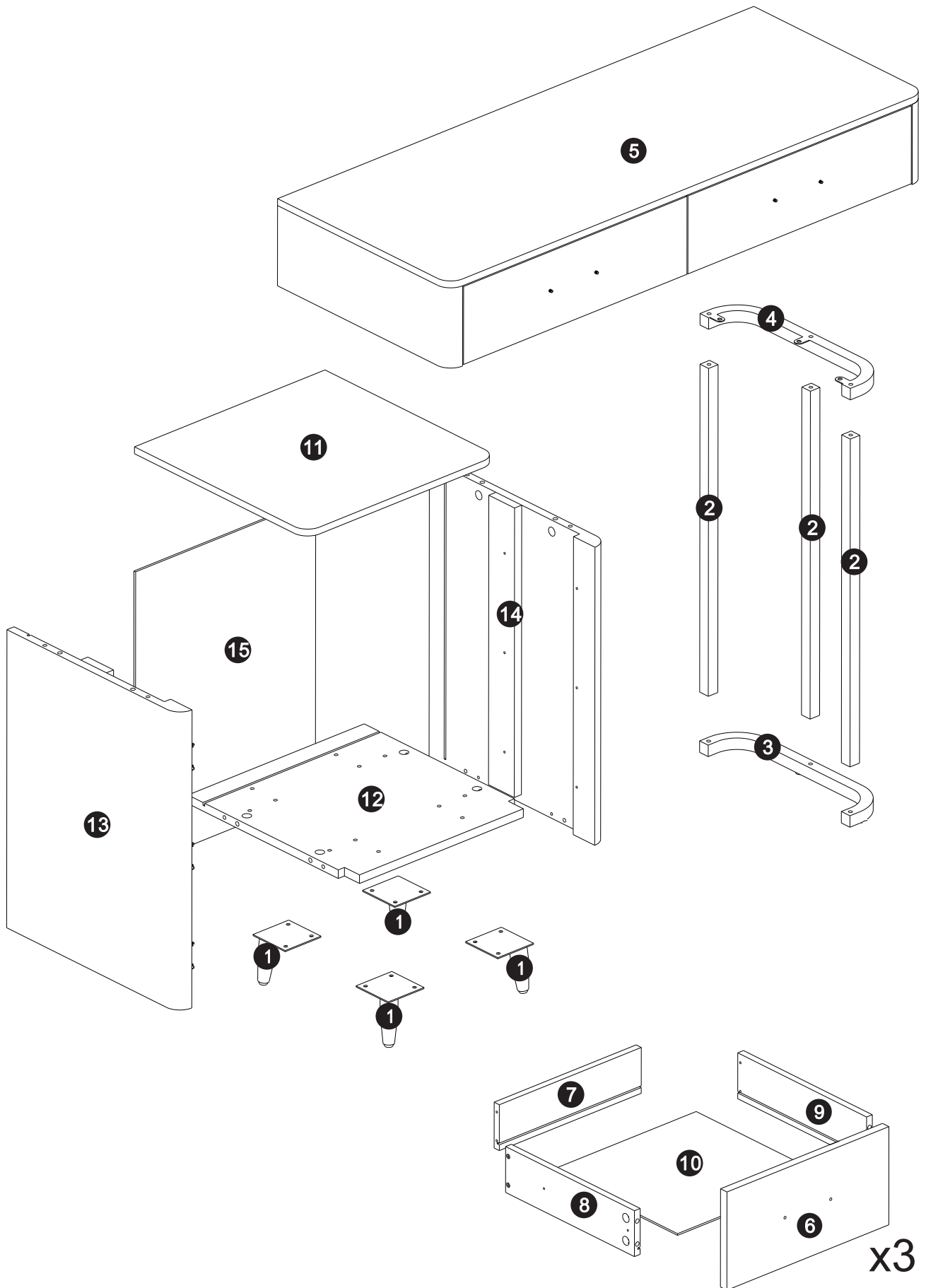
IMPORTANT NOTE

**PLACE ALL PARTS ON A CLEAN AND SMOOTH SURFACE SUCH AS A RUG OR CARPET TO AVOID THE PARTS FROM BEING SCRATCHED

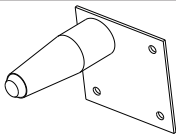
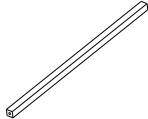
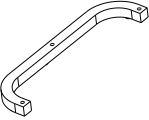
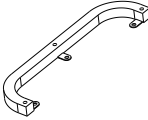
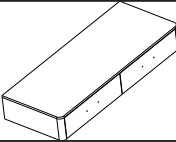
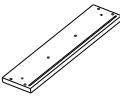
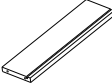
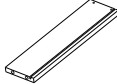
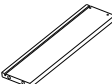
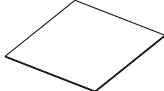
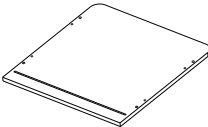
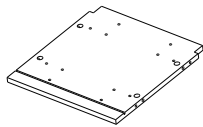
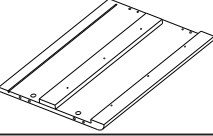
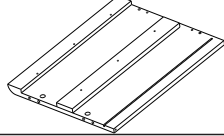
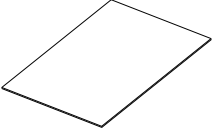
**BEFORE YOU BEGIN,KINDY FOLLOW THE ASSEMBLY INSTRUCTIONS STEP BY STEP

**DO NOT TIGHTEN ALL SCREWS AND BOLTS UNTIL THE BED IS FULLY SET-UP

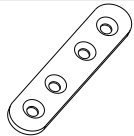
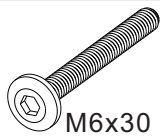

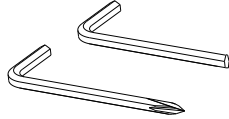
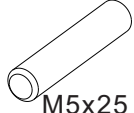
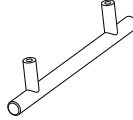



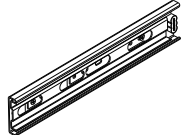
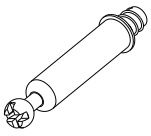

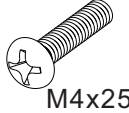
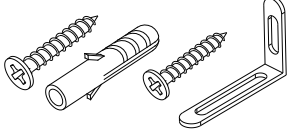
ASSEMBLY INSTRUCTIONS



ASSEMBLY INSTRUCTIONS

1	Iron foot Pied de fer		4	2	Iron support Support en fer		3
3	Iron support Support en fer		1	4	Iron support Support en fer		1
5	Desk body Corps de bureau		1	6	Drawer board Plateau de tiroirs		3
7	Drawer back plate Plateau arrière tiroir		3	8	Drawer side panel Panneau latéral tiroir		3
9	Drawer side panel Panneau latéral tiroir		3	10	Drawer bottom Fond de tiroir		3
11	Cabinet panel Panneau de Cabinet		1	12	Cabinet bottom plate Plaque de fond du Cabinet		1
13	Cabinet left panel Cabinet panneau gauche		1	14	Cabinet right panel Cabinet panneau droit		1
15	Cabinet rear panel Panneau arrière du Cabinet		1				

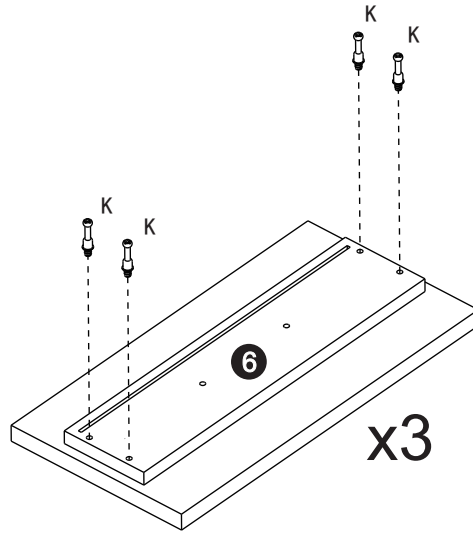
ASSEMBLY INSTRUCTIONS


A	Fixed iron Fer fixe		1	B	Hex screw Vis hexagonale		6
C	Hex screw Vis hexagonale		15	D	wrench Clé à clé		1
E	Wood tip Pointe en bois		8	F	Handle poignée		5
G	Handle screw Poignée vis		6	H	Pointed screw Vis pointue		12
I	Pointed screw Vis pointue		26	J	Drawer slide Glissière de tiroir		6
K	Two-in-one screw Vis deux-en-un		20	L	Two-in-one nut Deux en un écrou		20
M	Handle screw Poignée vis		4	N	Tip guard Garde de pointe		2

ASSEMBLY INSTRUCTIONS

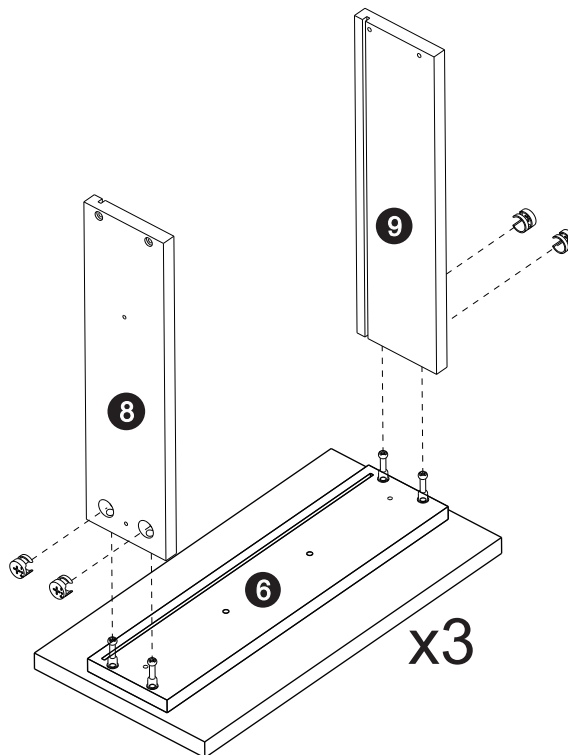
INSTRUCTIONS DE MONTAGE

STEP 1

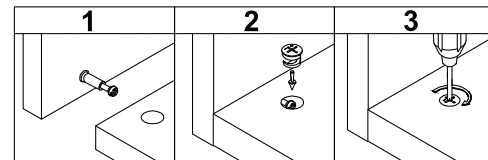


K	Two-in-one screw Deux en un Vis à vis		12
---	--	---	----

STEP 2

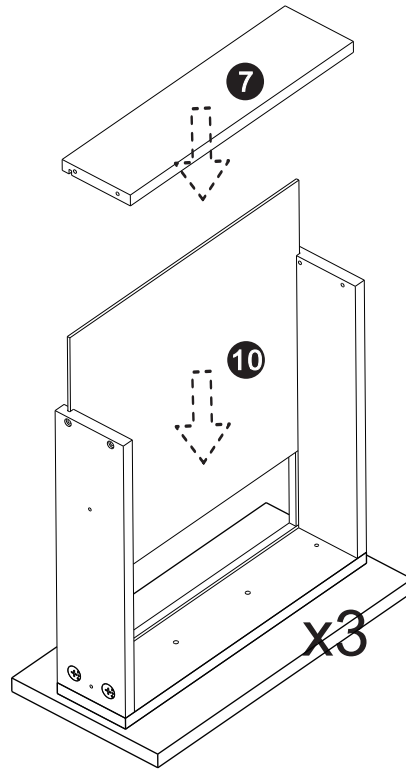


L	Two-in-one nut Deux en unnoix		12
---	----------------------------------	---	----

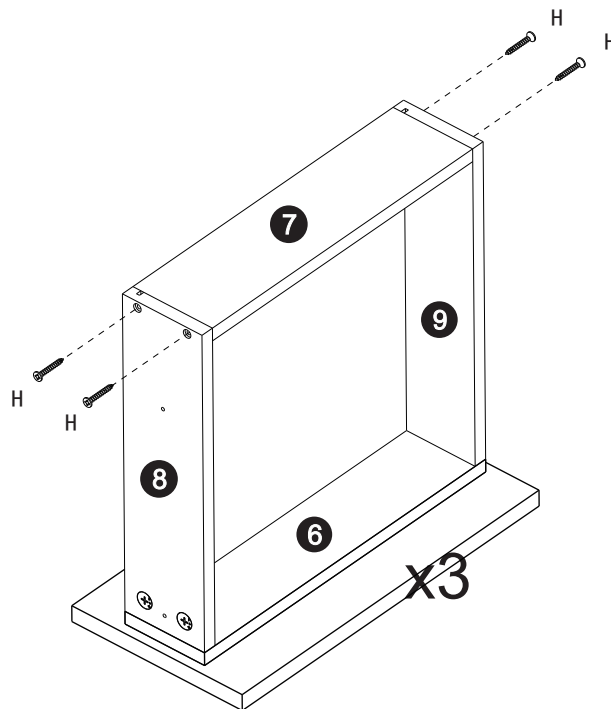


ASSEMBLY INSTRUCTIONS

STEP 3



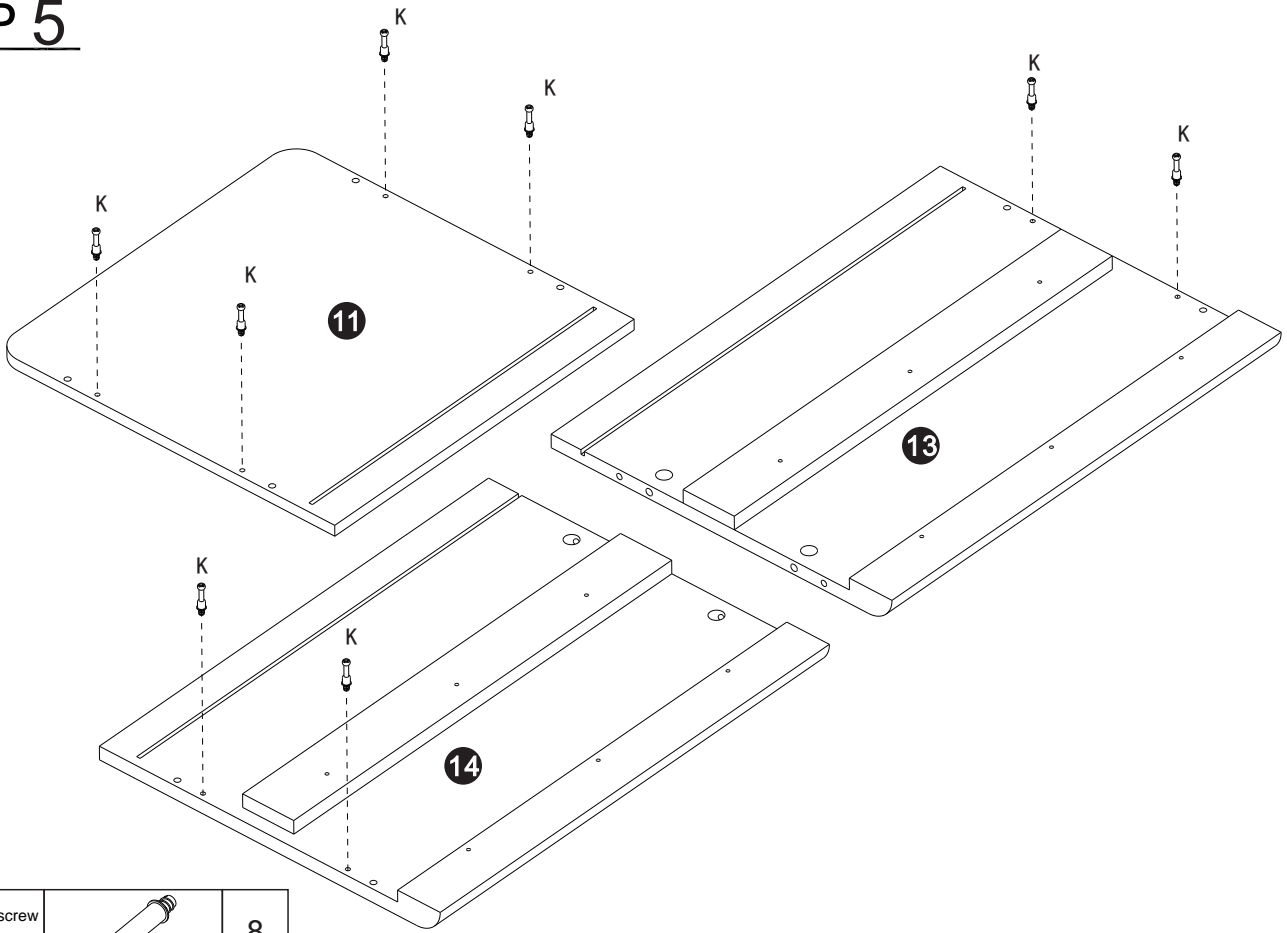
STEP 4



H	Pointed screw pointé/Vis à vis	 M4x30	12
---	-----------------------------------	--	----

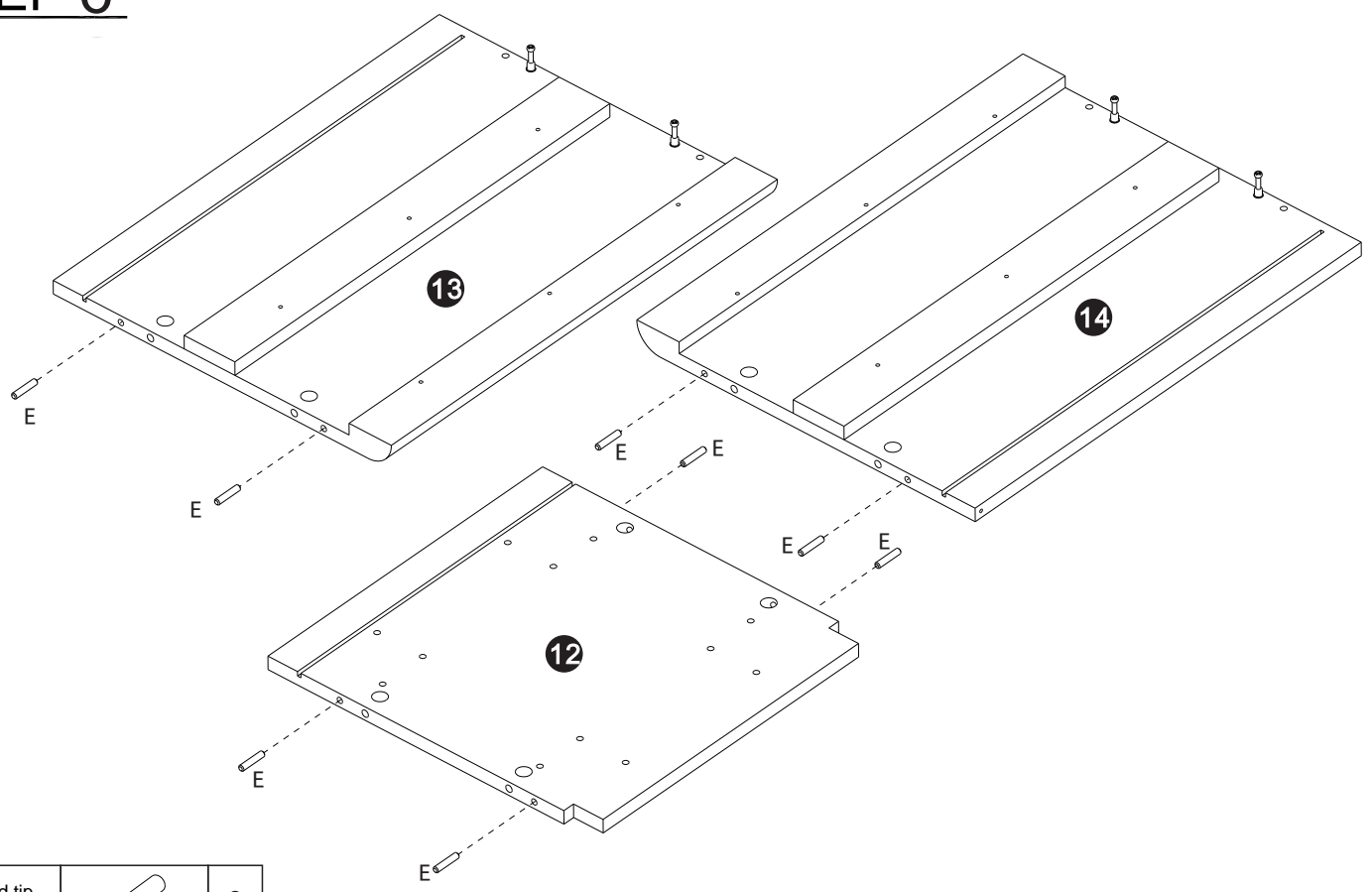
ASSEMBLY INSTRUCTIONS


STEP 5



K	Two-in-one screw Deux en un Vis à vis		8
---	--	---	---

STEP 6

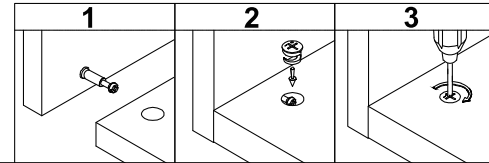
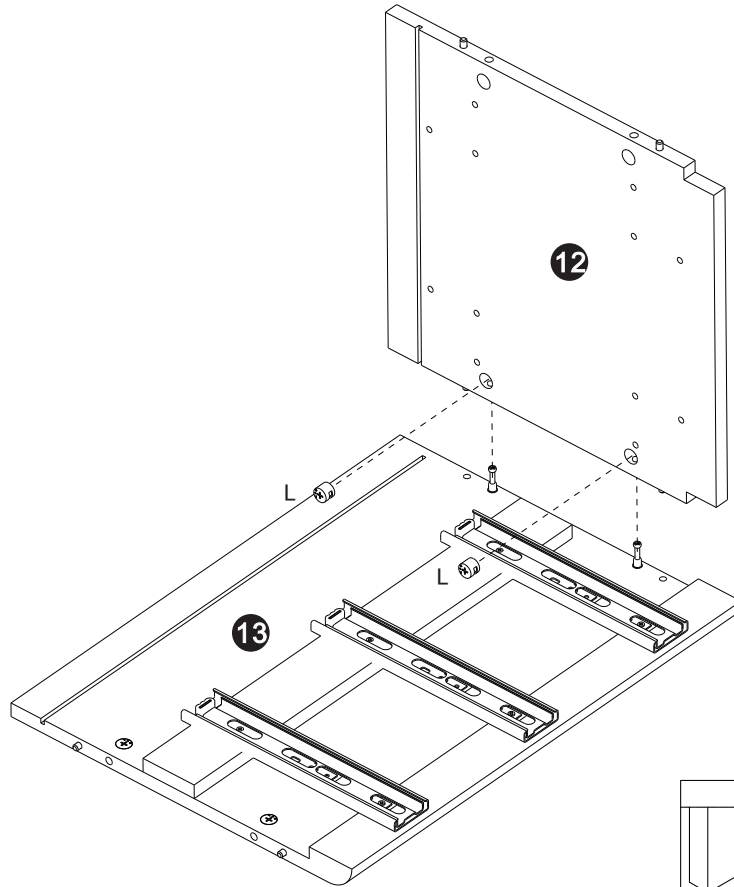


E	Wood tip Pointe en bois	 M5x25	8
---	----------------------------	--	---

MADE IN CHINA
FABRIQUÉ EN CHINE

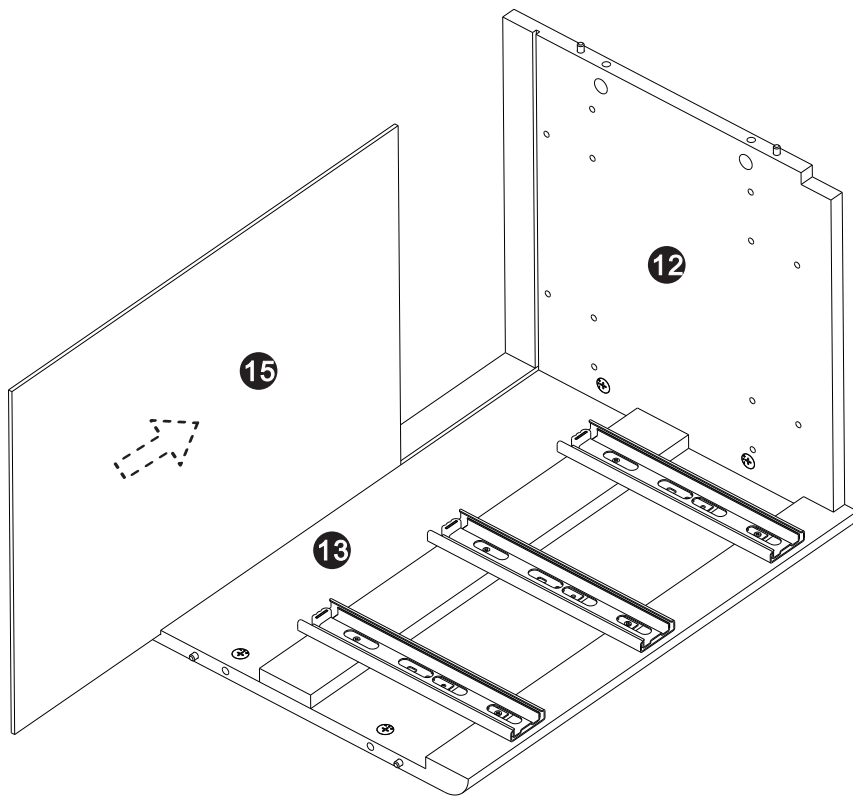
ASSEMBLY INSTRUCTIONS

STEP 9



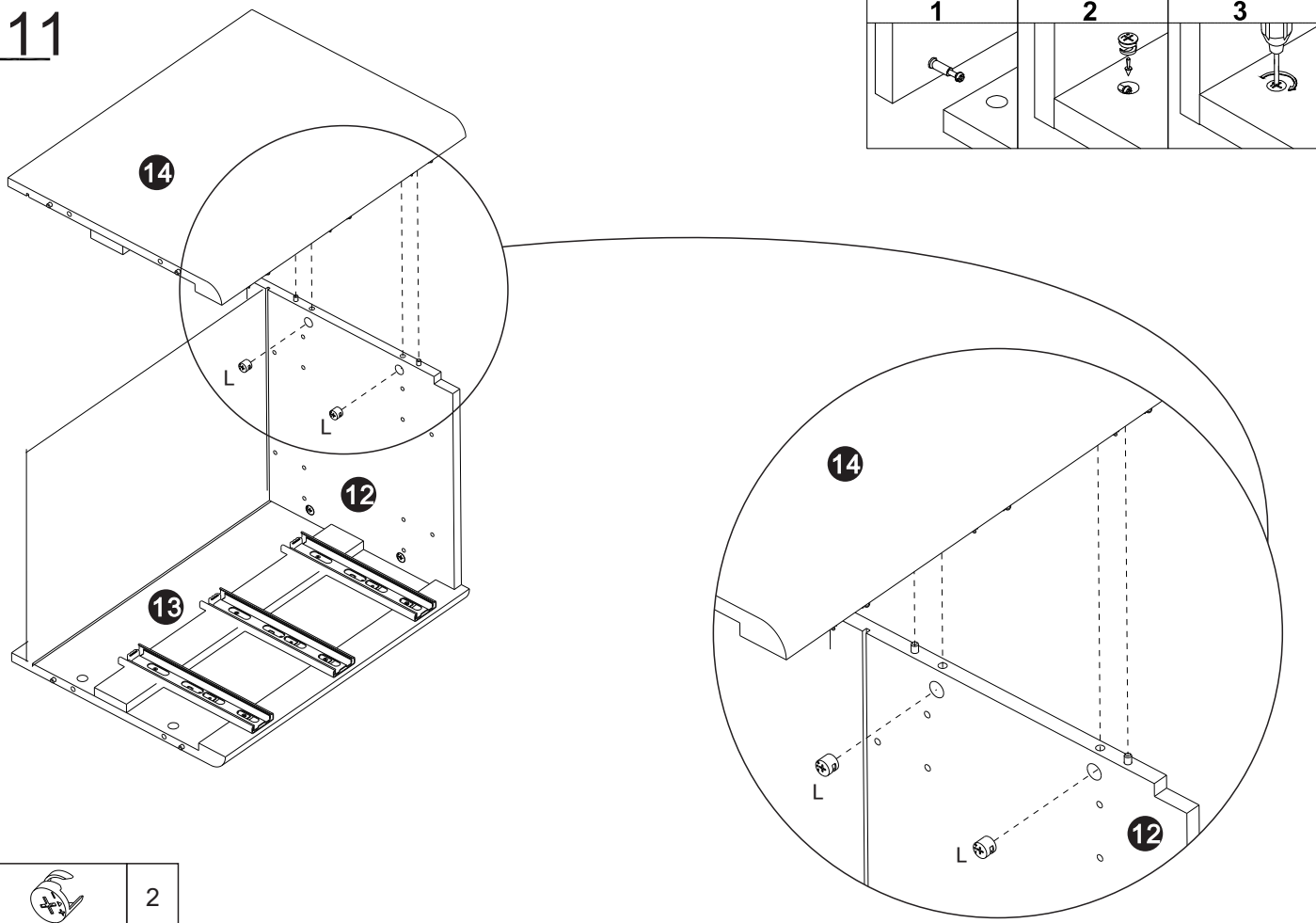
L	Two-in-one nut Deux en unnoix		2
---	----------------------------------	--	---

STEP 10



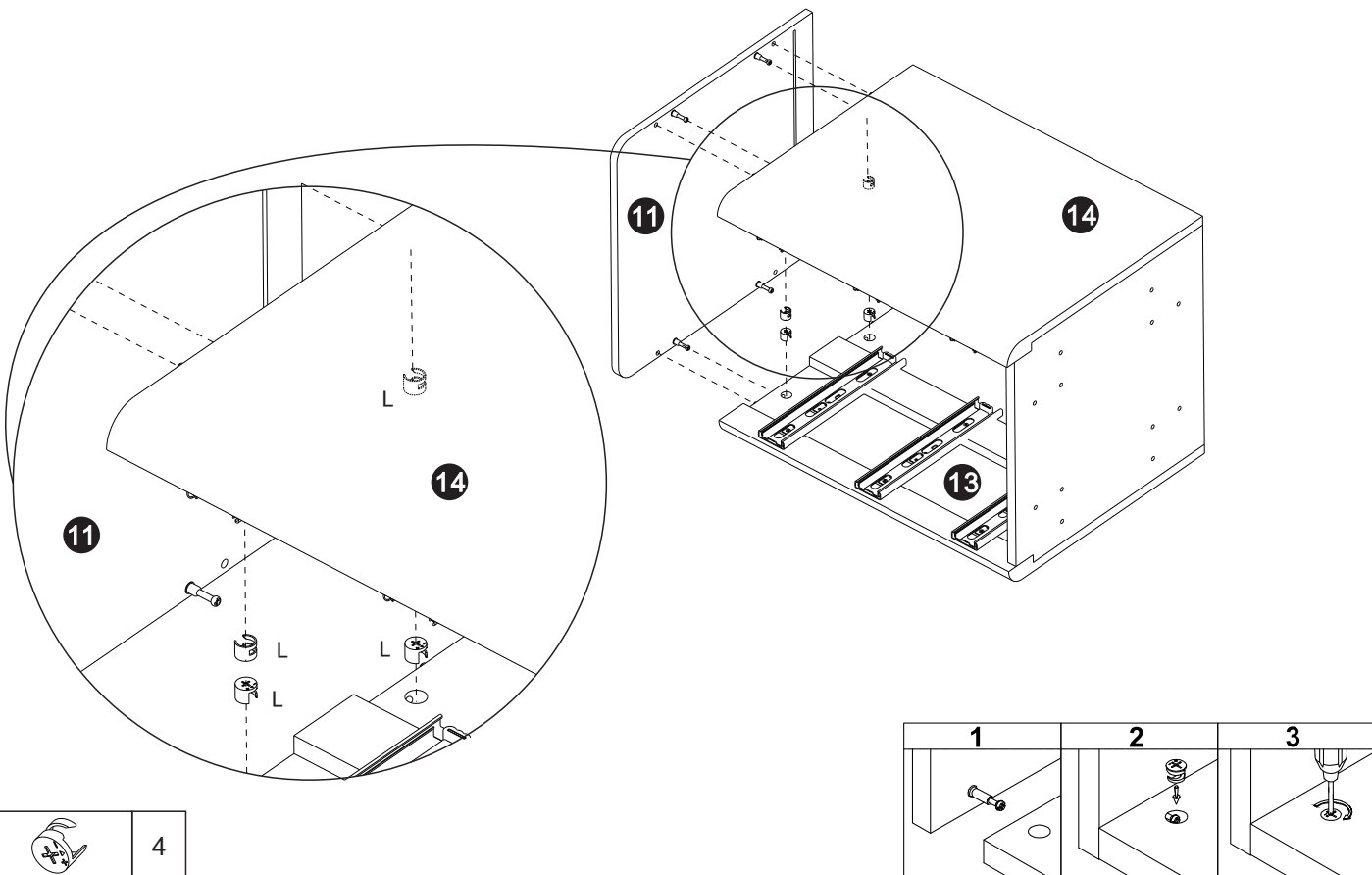
ASSEMBLY INSTRUCTIONS

STEP 11



L	Two-in-one nut Deux en unnoix		2
---	----------------------------------	--	---

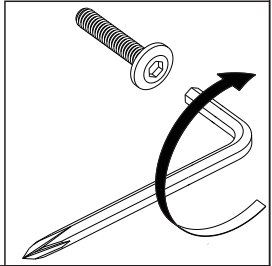
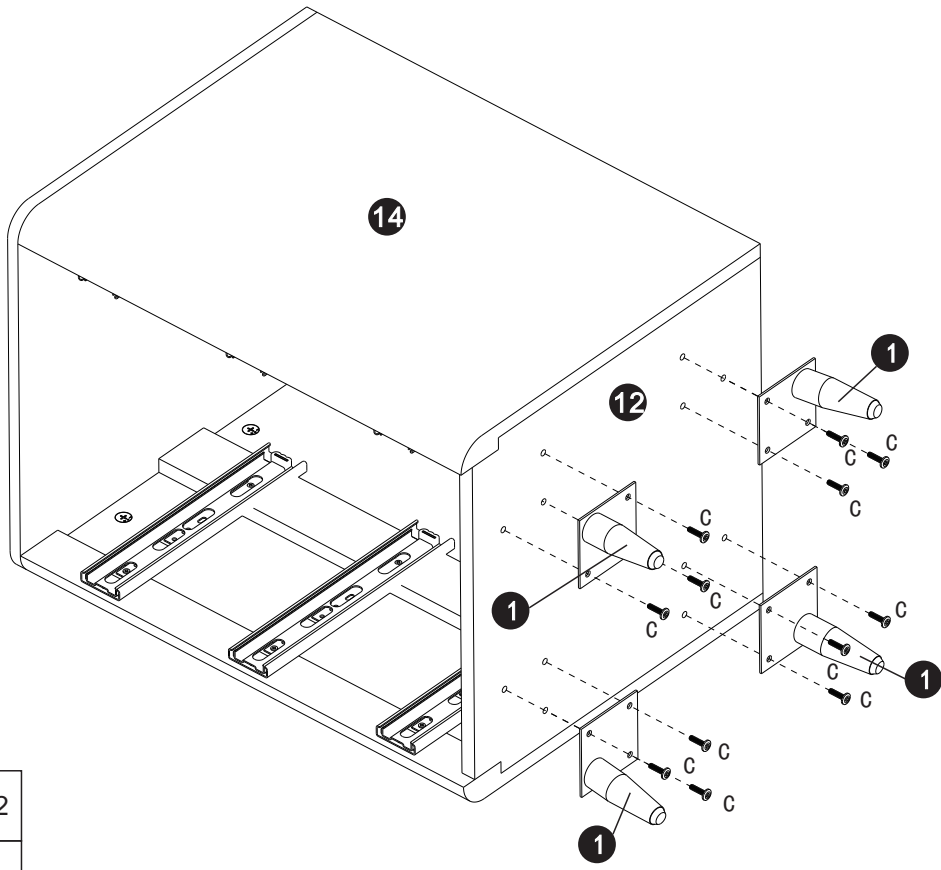
STEP 12





L	Two-in-one nut Deux en unnoix		4
---	----------------------------------	--	---

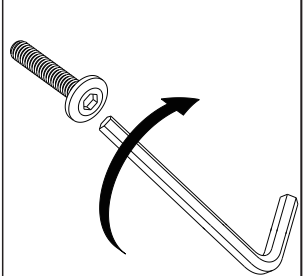
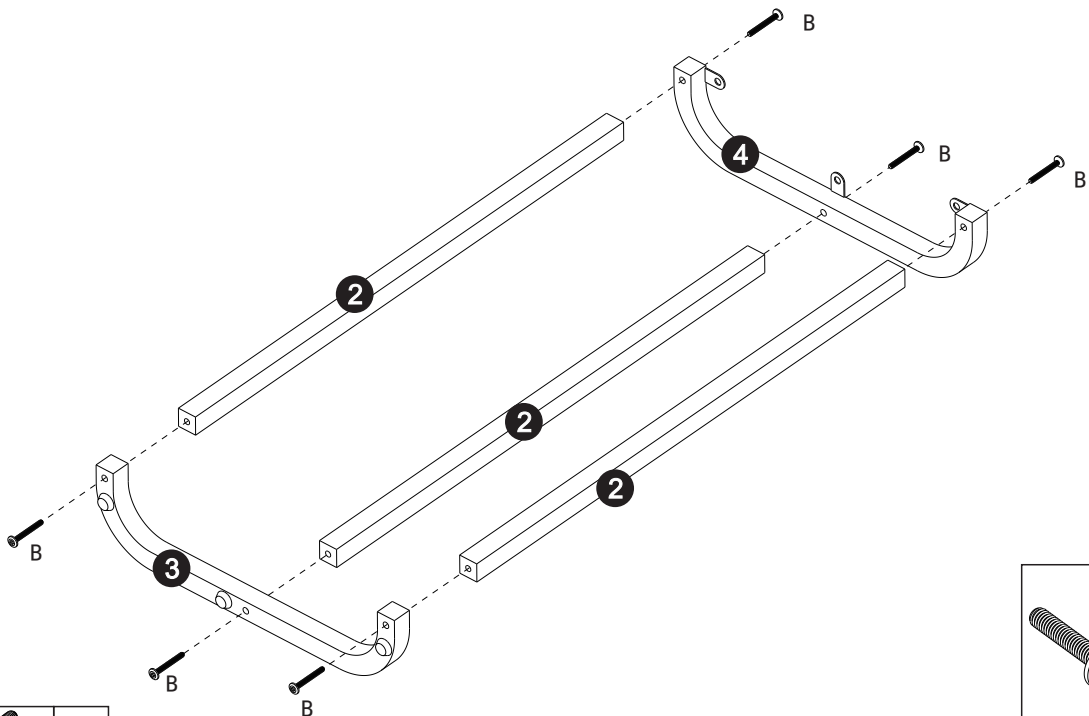
ASSEMBLY INSTRUCTIONS



STEP 13



C	Hex screw Vis hexagonale	 M6x16	12
D	wrench Clé à clé		1

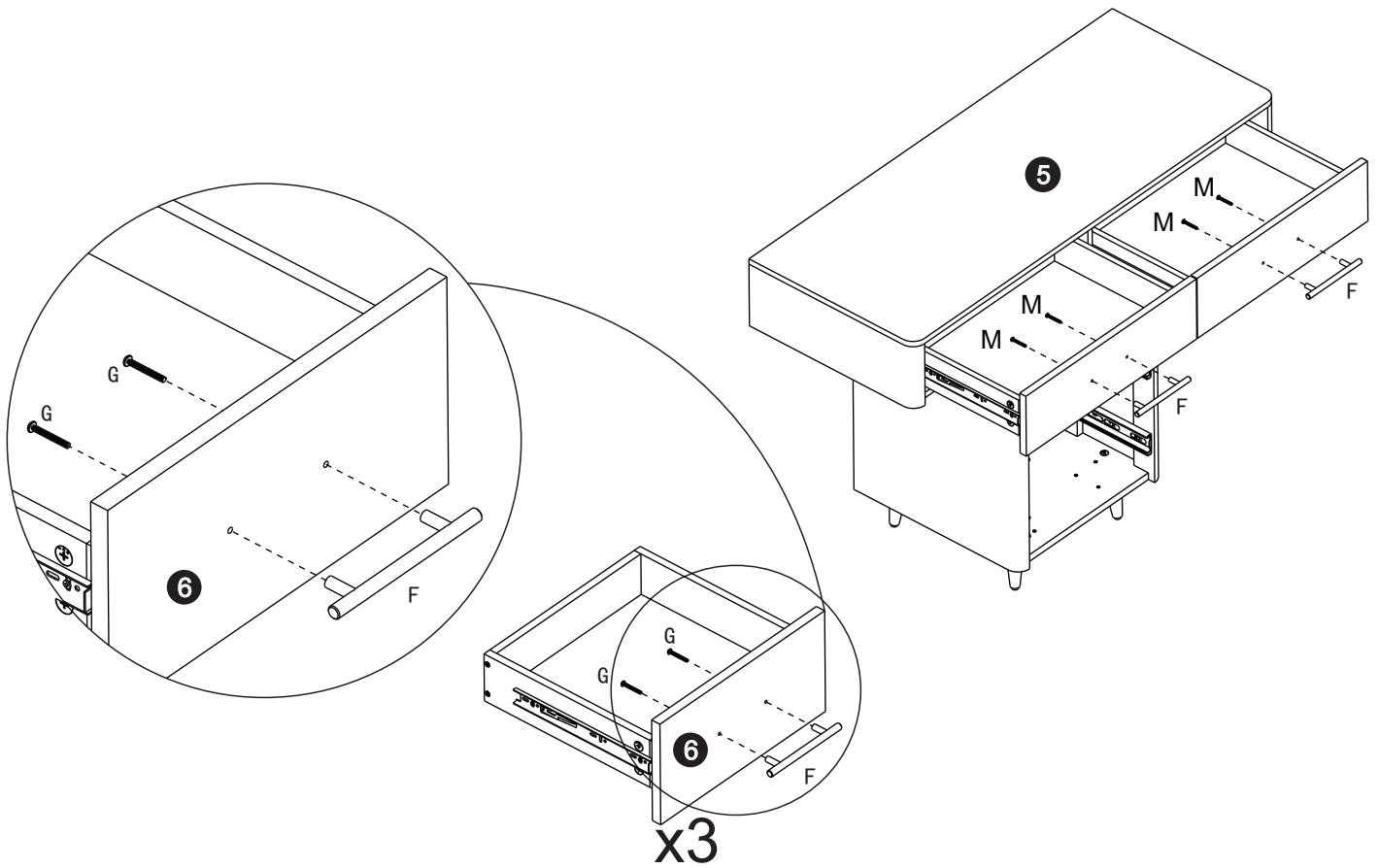
STEP 14


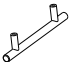



B	Hex screw Vis hexagonale	 M6x30	6
D	wrench Clé à clé		1

ASSEMBLY INSTRUCTIONS

STEP 15



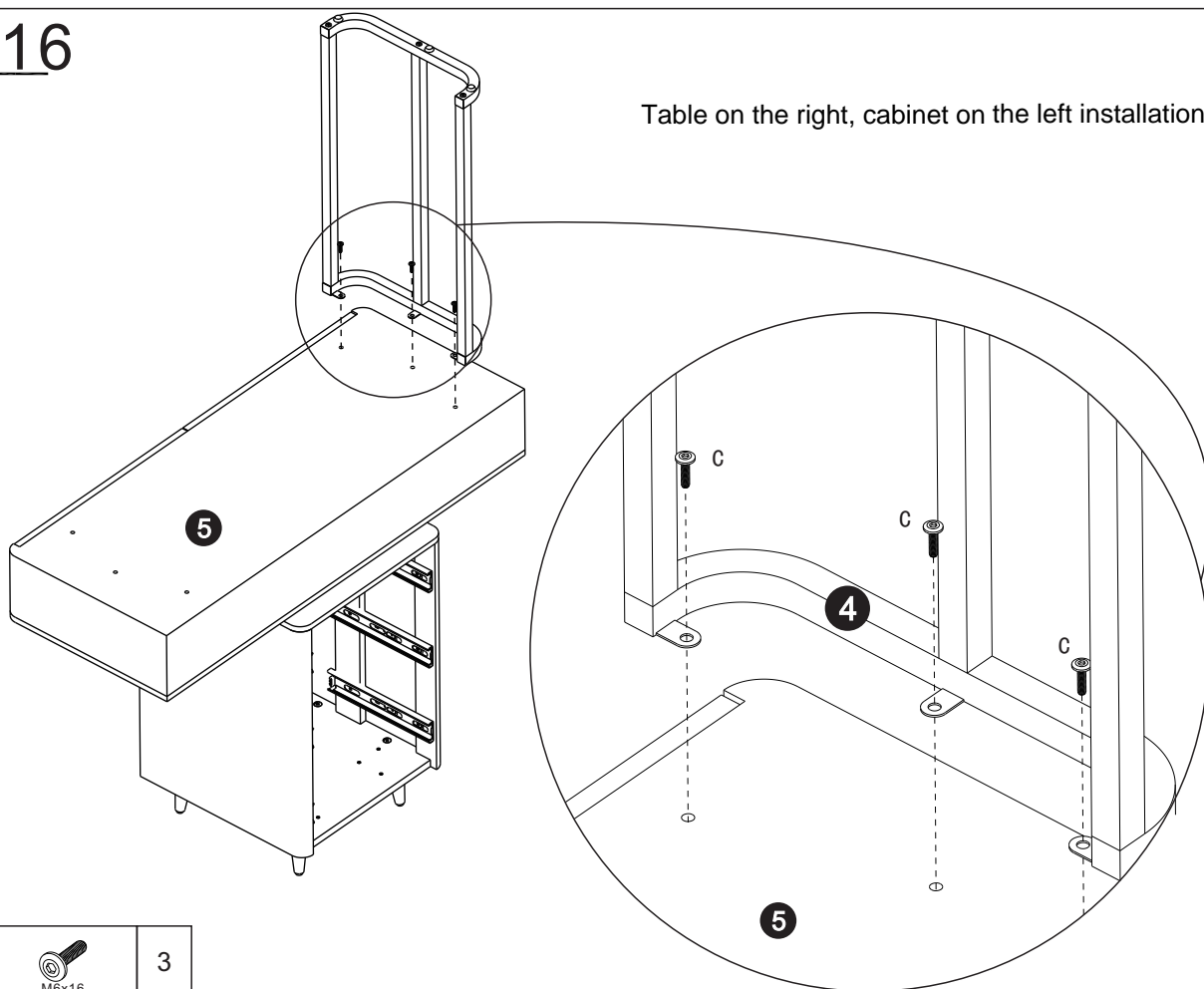
M	Handle screw poignée/Vis à vis	 M4x25	4
F	Handle		5
G	Handle screw poignée/Vis à vis	 M4x30	6

ASSEMBLY INSTRUCTIONS

STEP 16

Table on the right, cabinet on the left installation

α





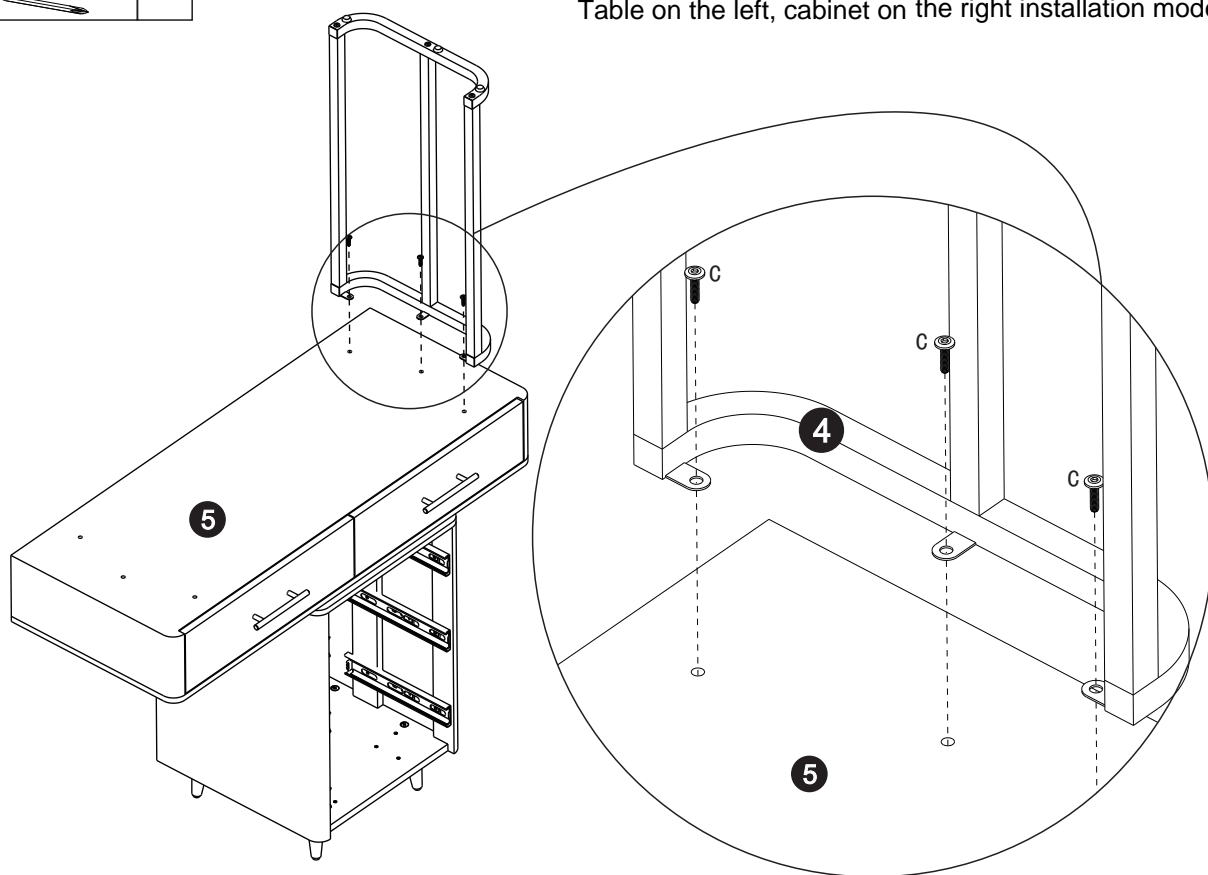
C	Hex screw Vis hexagonale	 M6x16	3
D	wrench Clé à clé		1

Table on the left, cabinet on the right installation mode

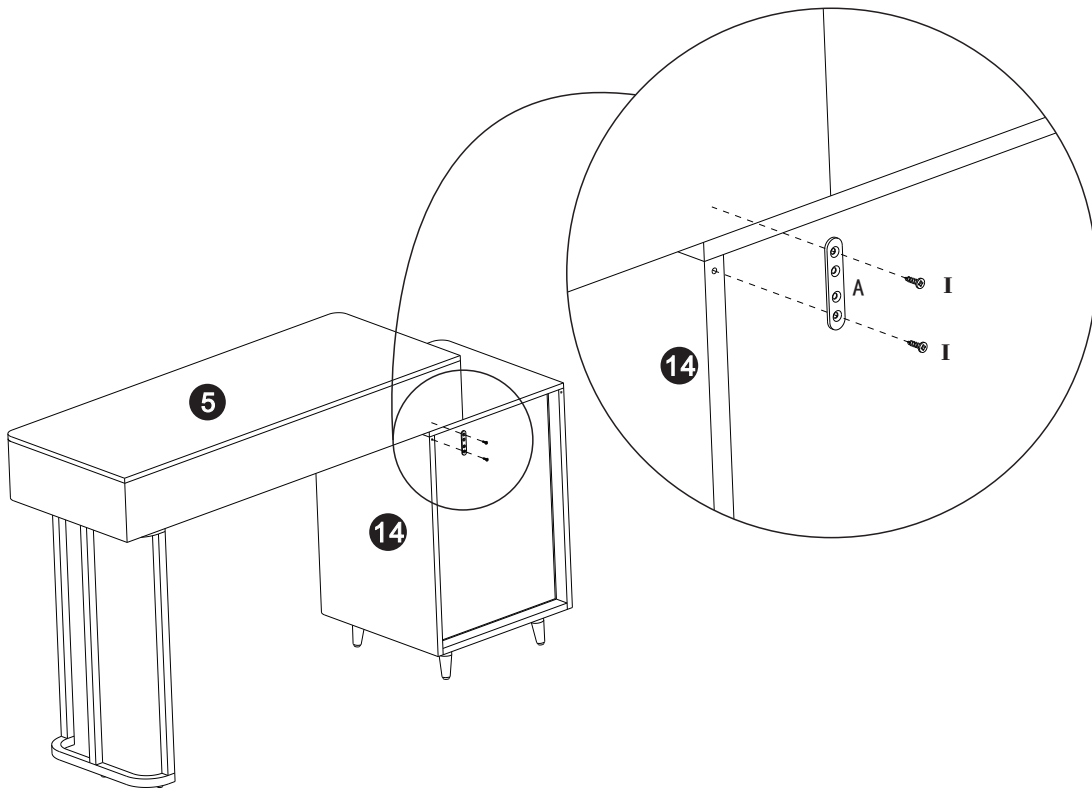
β



ASSEMBLY INSTRUCTIONS

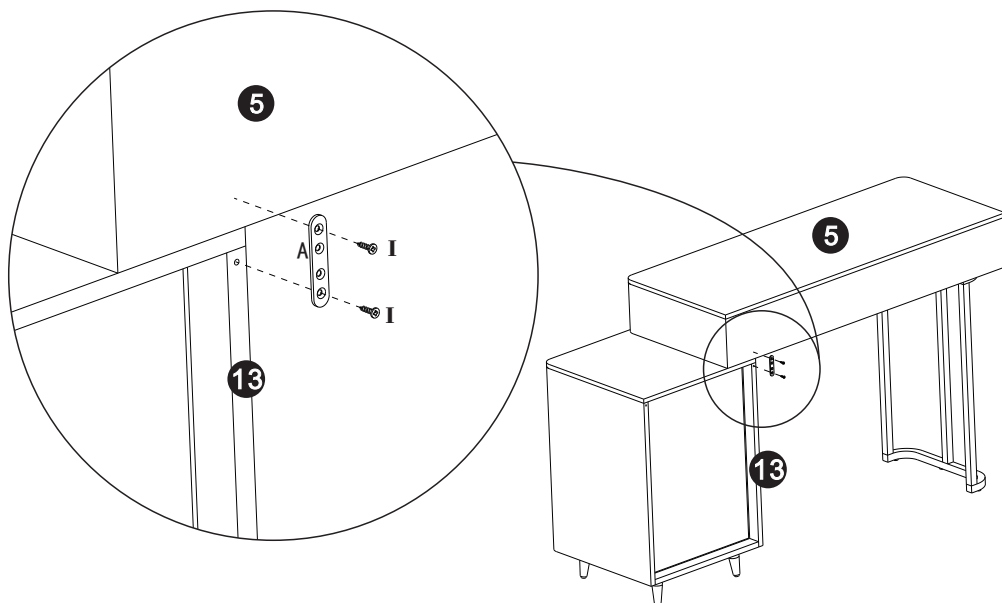
STEP 17

α



A	Fixed iron Fer fixe		1
I	pointé/Vis à vis Pointed screw	 M3.5x12	2

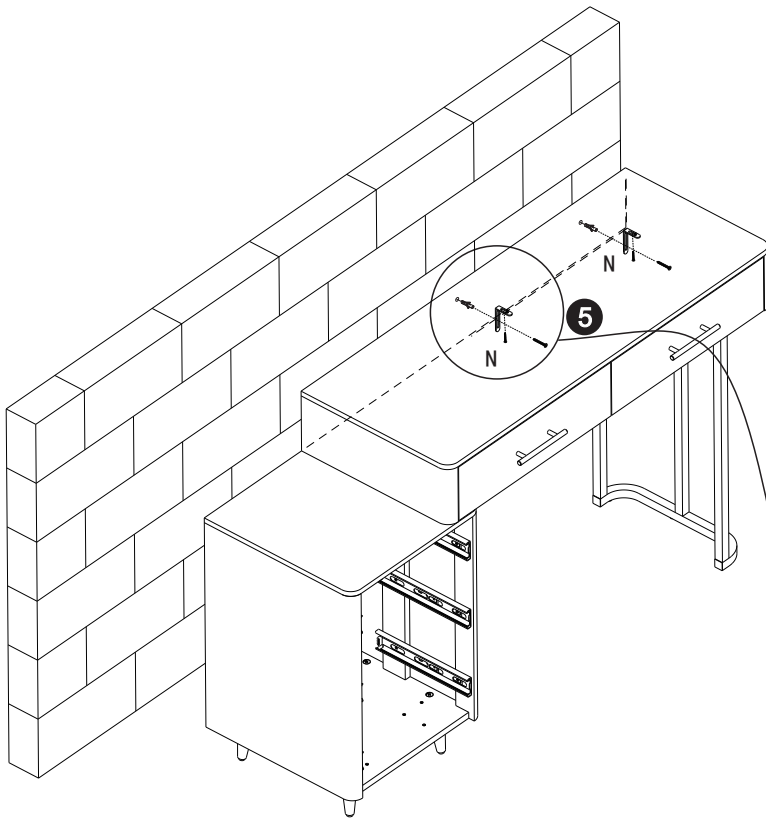
β



ASSEMBLY INSTRUCTIONS

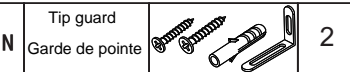
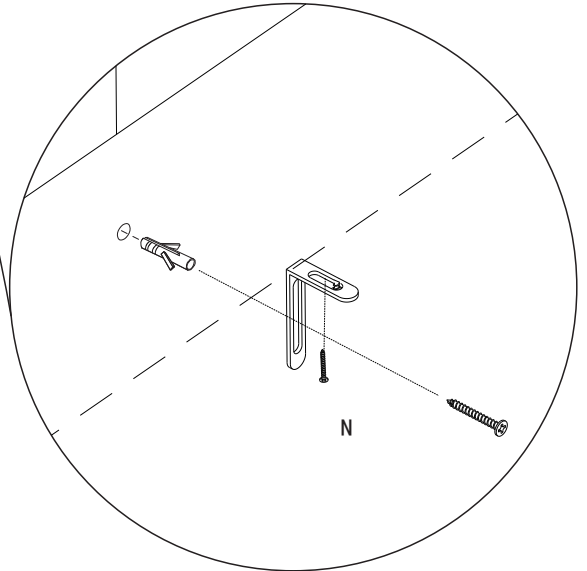
STEP 18

α

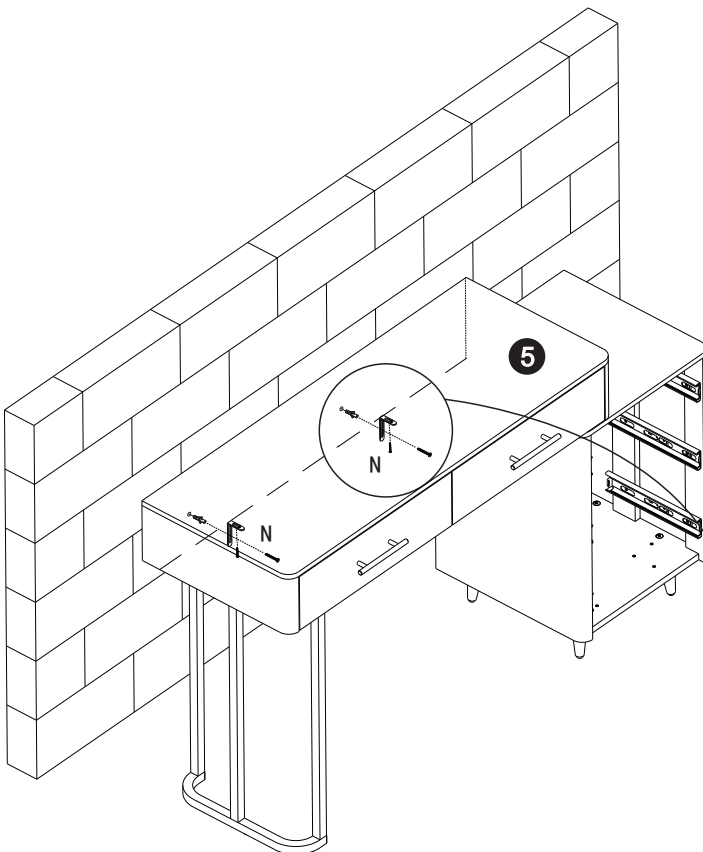


Drill a hole of 6mm in size and 40mm in depth for the wall and hammer in the expansion screws.

Le mur perce un trou d'une taille de 6mm avec une profondeur de 40mm et frappe dans la vis d'expansion.

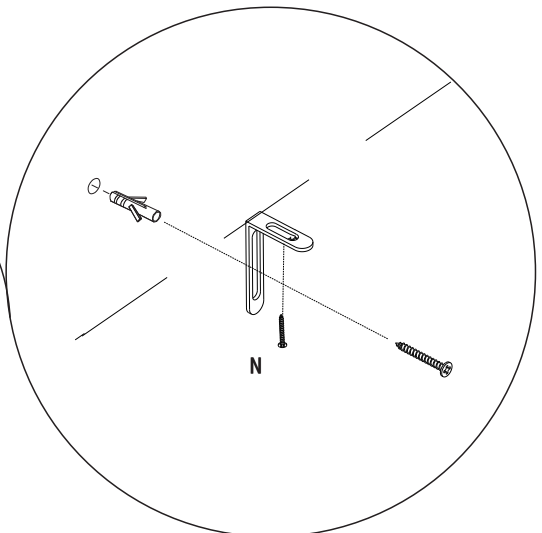


β



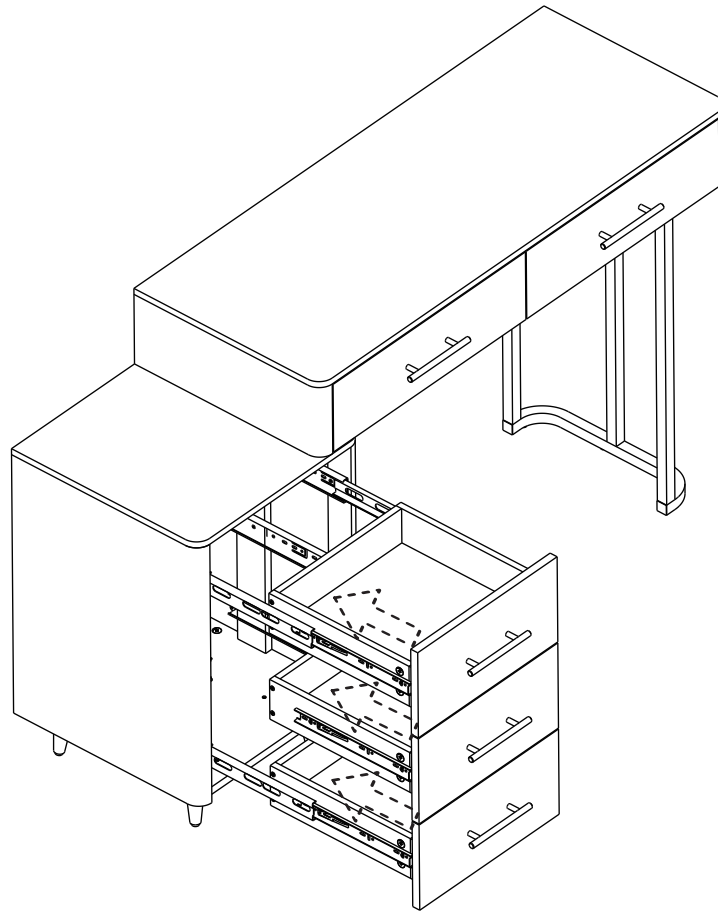
Drill a hole of 6mm in size and 40mm in depth for the wall and hammer in the expansion screws.

Le mur perce un trou d'une taille de 6mm avec une profondeur de 40mm et frappe dans la vis d'expansion.



ASSEMBLY INSTRUCTIONS

α



β

