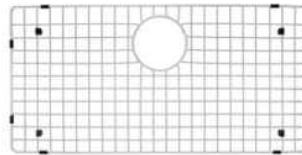


Series	Elite
Material	16 Gauge, Type 304 stainless steel
Installation Type	Apron front
Configuration	Single bowl
Finish	Soft satin brushed finish
Overall Dimensions	30" x 22 1/2"
Bowl Dimensions	28" x 18" x 10"
Drain Size	3 5/8"
Finish Available	Stainless Steel
Minimum cabinet size	30"
Template Included	Yes
Clips Included	Yes
Drain Location	Rear
Accessories Included	Strainer and Bottom grid

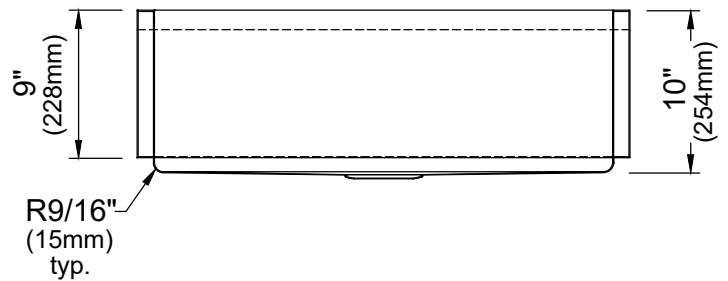
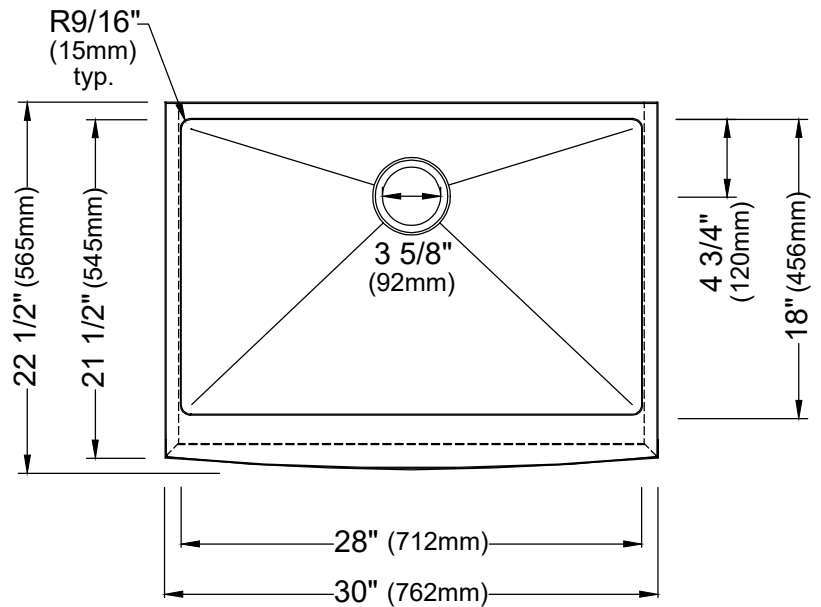


ACCESSORY
Strainer - L-1
Bottom Grid - GR-3219

Stocked Color Options



Stainless Steel



Listing and certifications:
cUPC

Limited lifetime warranty

We reserve the right to update product specifications without notice. Please visit karran.com for the most current specification sheets. All dimensions are accurate to 1/4". REV 01-2025