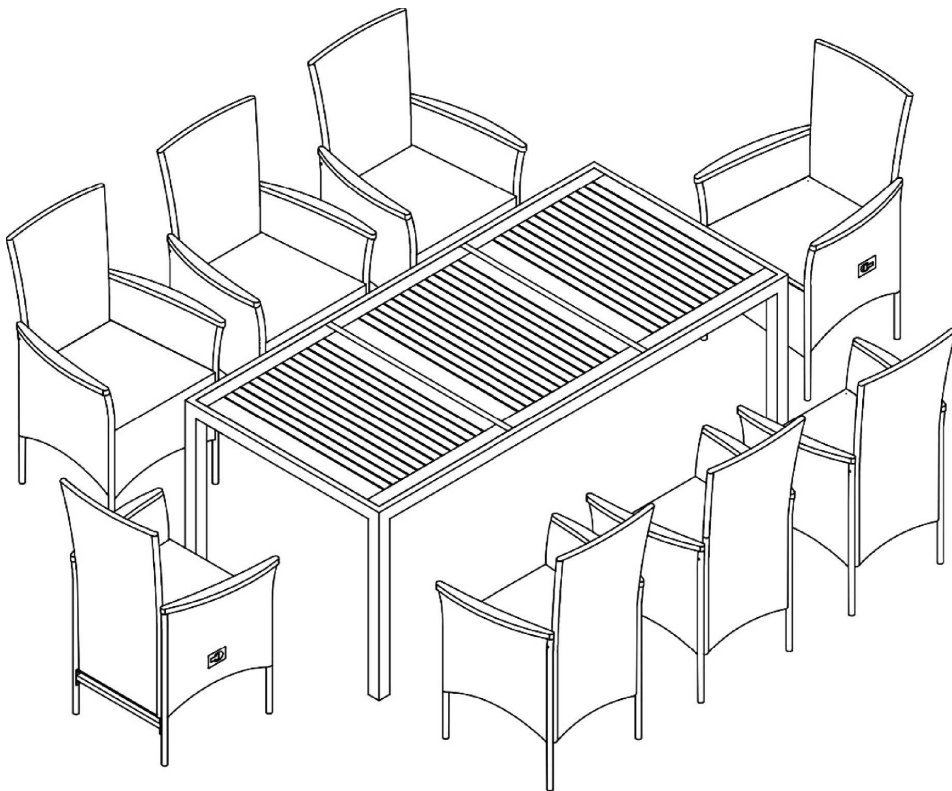
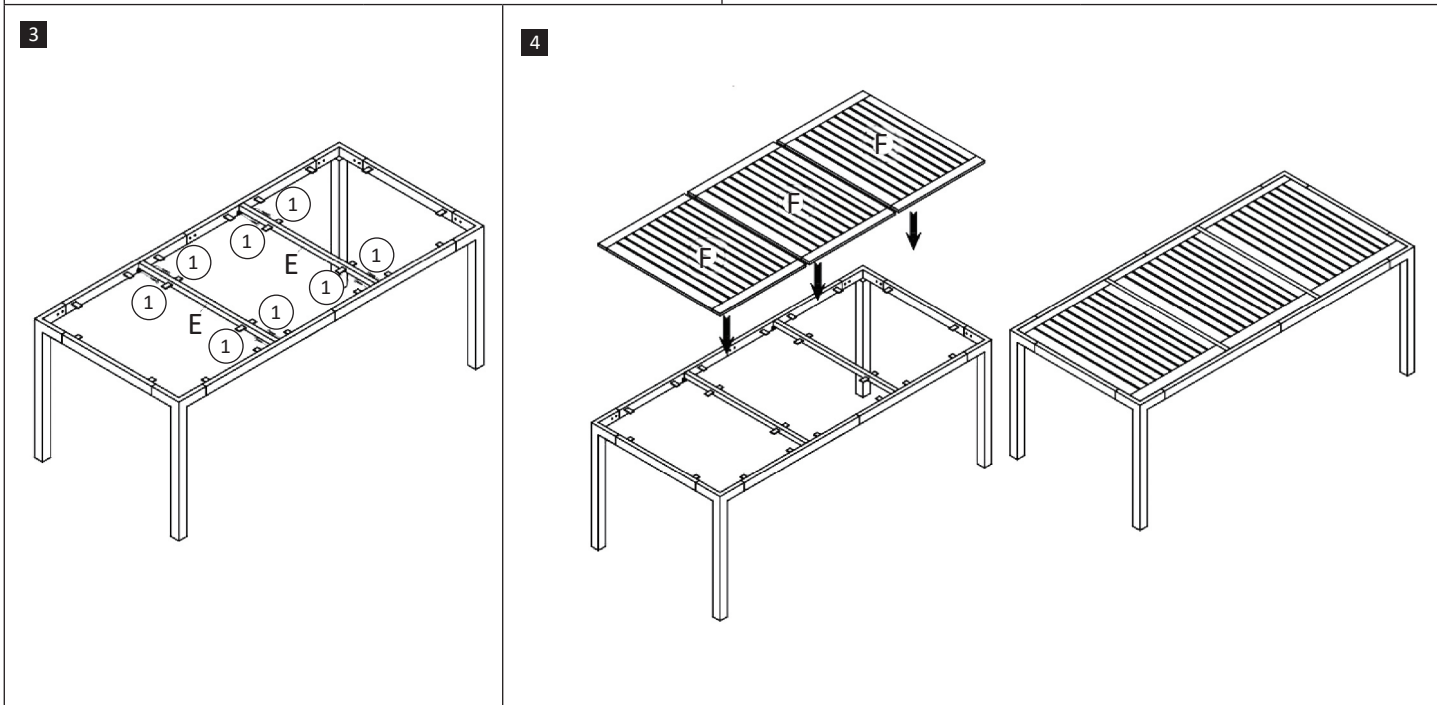
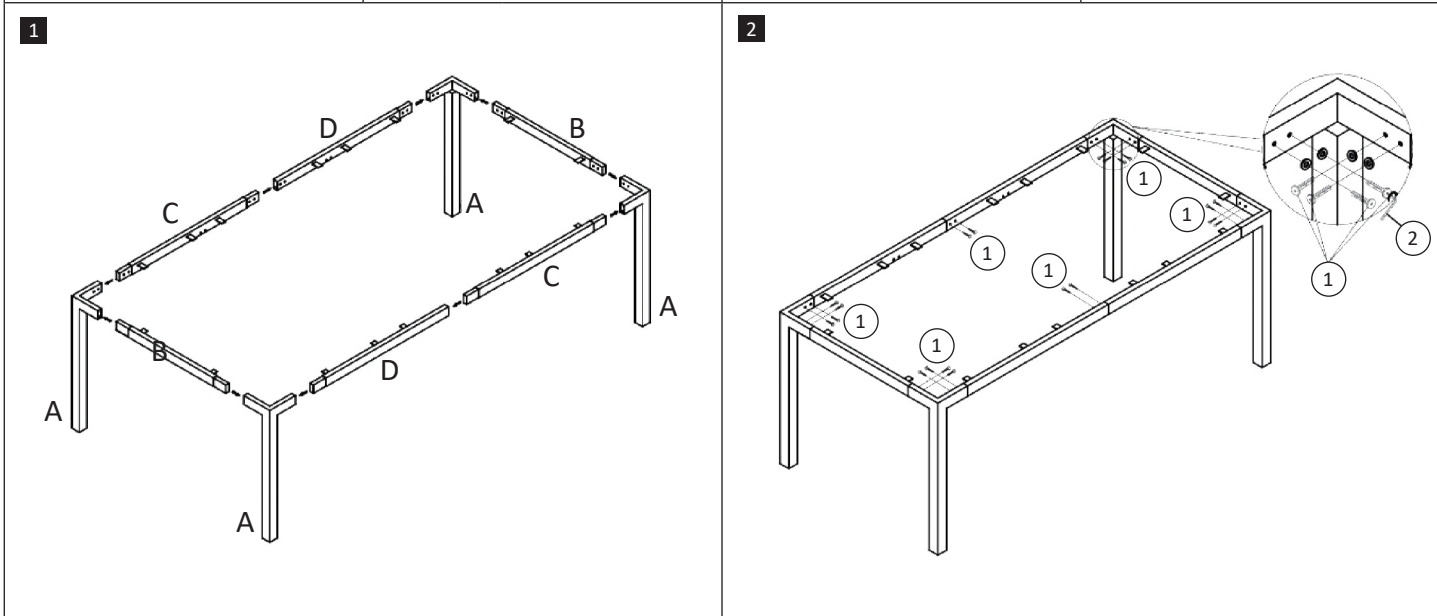
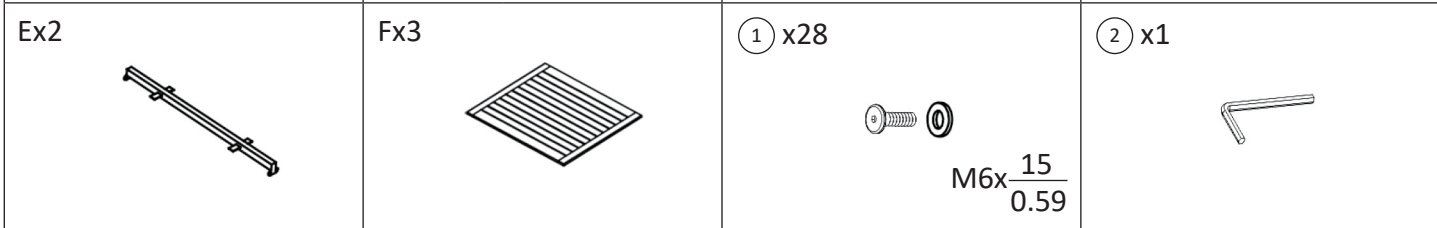
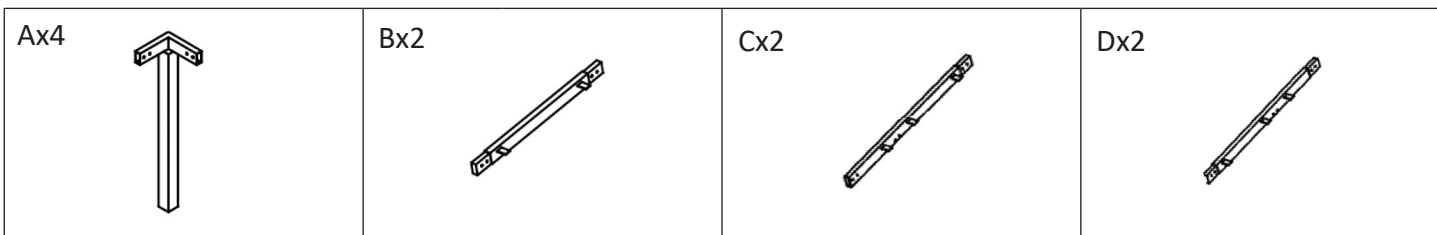





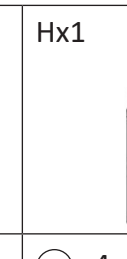



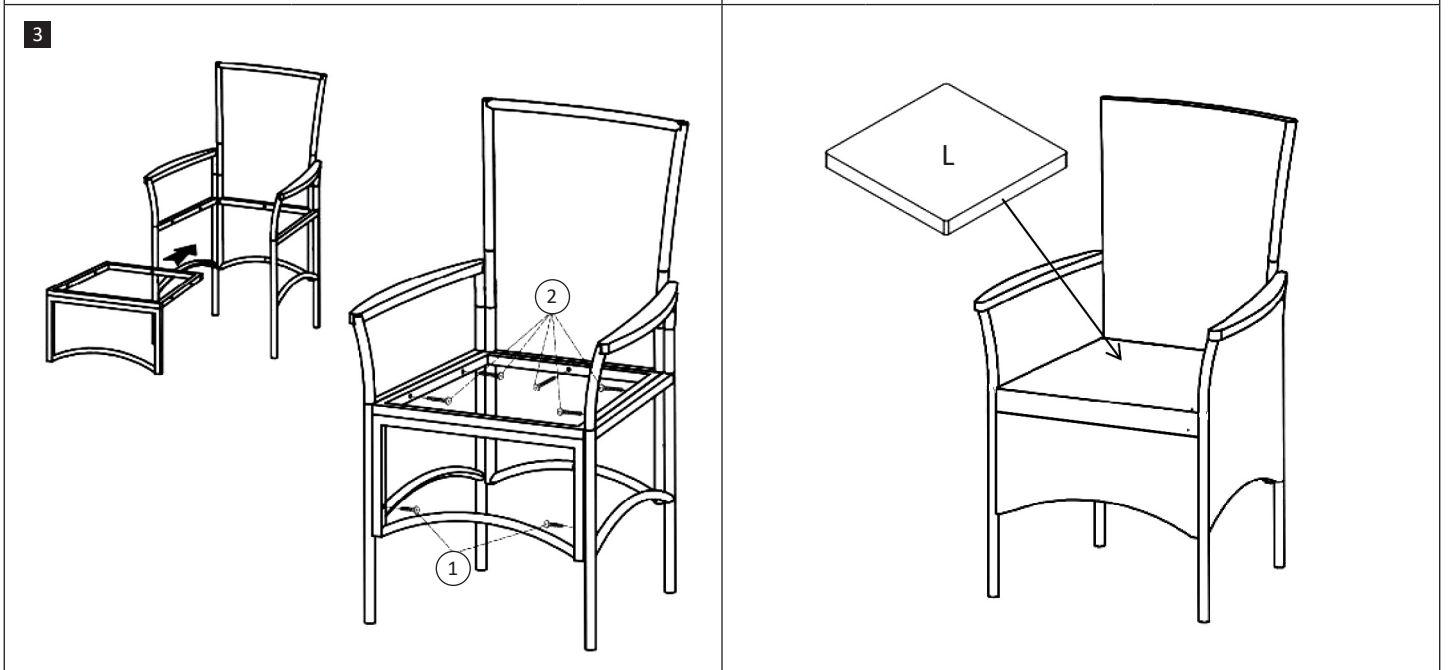
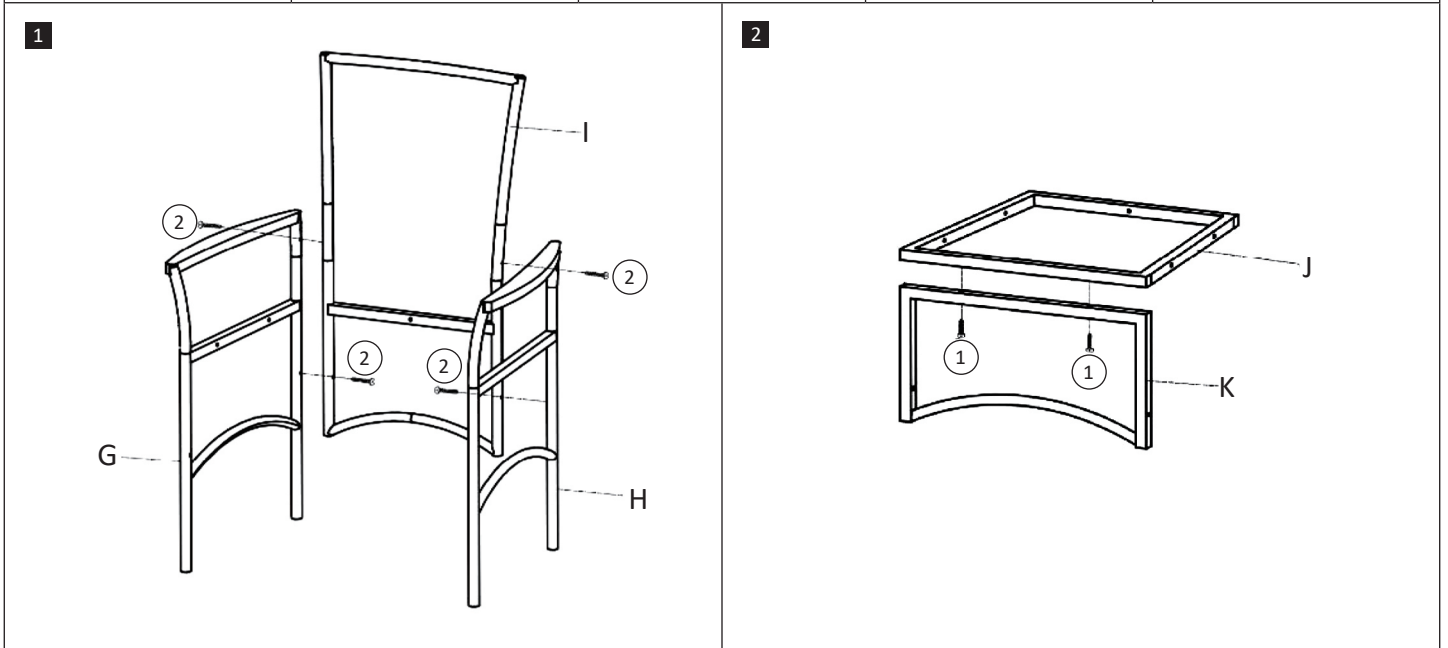


mm
inch
x1

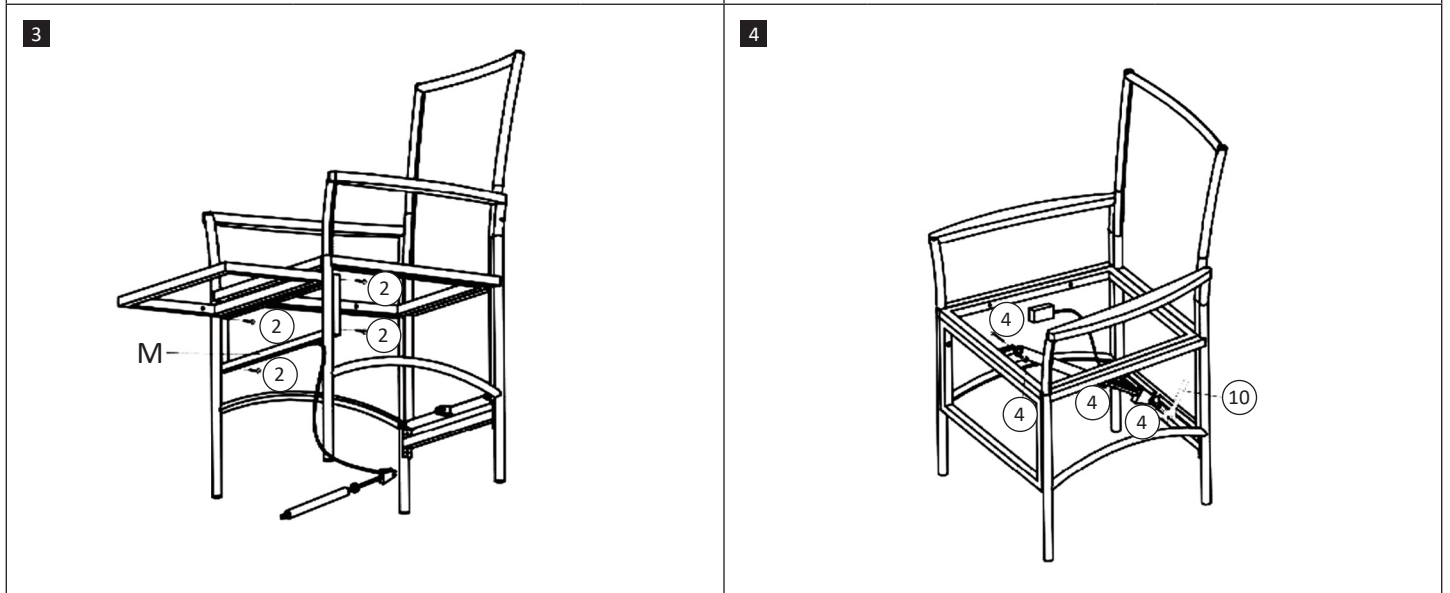
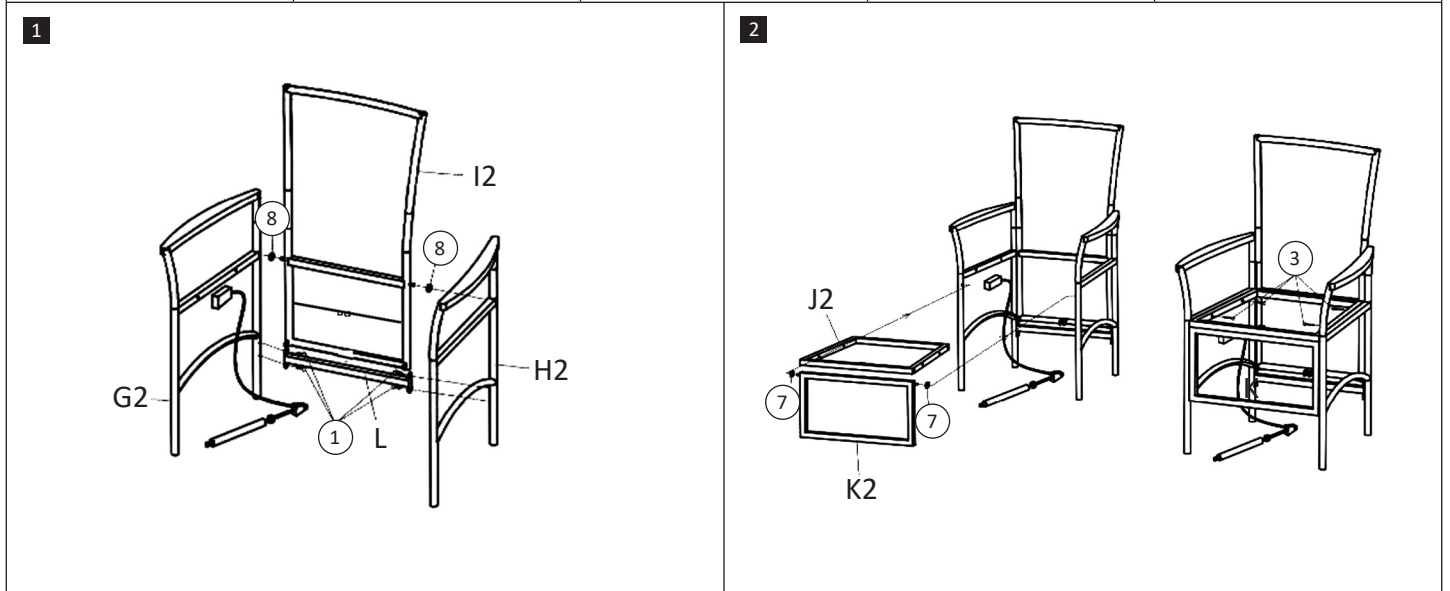




Gx1 	Hx1 	Ix1 	Jx1 	Kx1 
Lx1 	① x4  M6x $\frac{30}{1.18}$	② x9  M6x $\frac{40}{1.57}$	③ x1 	



G2x1 	H2x1 	I2x1 	J2x1 	K2x1
Lx1 	Mx1 	Nx2 	Ox1 	① x4 M6x $\frac{15}{0.59}$
② x4 M6x $\frac{30}{1.18}$	③ x4 M6x $\frac{40}{1.57}$	④ x2 M6x $\frac{35}{1.37}$	⑤ x2 M6x $\frac{15}{0.59}$	⑥ x2 M6x $\frac{15}{0.59}$
⑦ x2 	⑧ x2 	⑨ x1 	⑩ x1 	



5

