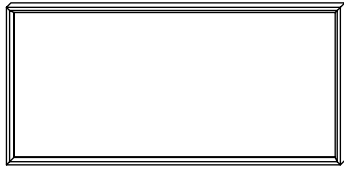


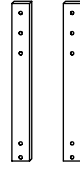
# Twin Headboard

## Assembly Instructions

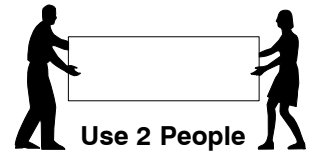
### 1 Parts List



**A** Headboard Panel x 1



**B** Support Bar x 2



### 2 Hardware List



**1** M6 x 35mm JCB x 6



**2** Spring Washer x 6



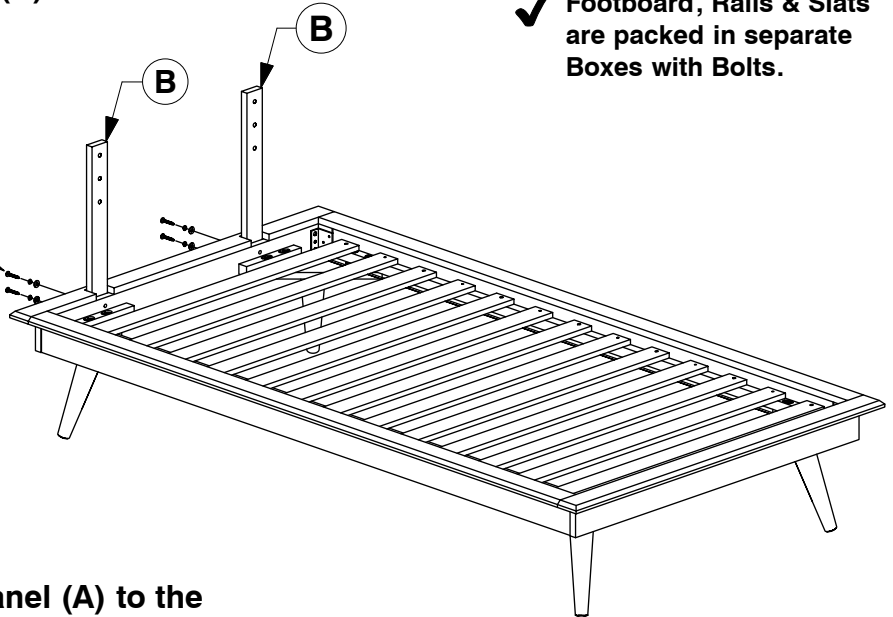
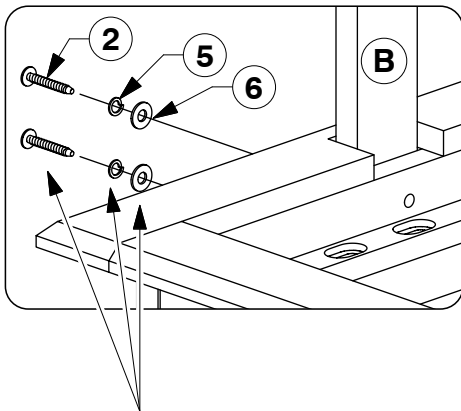
**3** Flat Washer x 6



**4** Allen Key x 1

**Note:** Do not assemble using power tools. This can cause the bolts to be overtightened

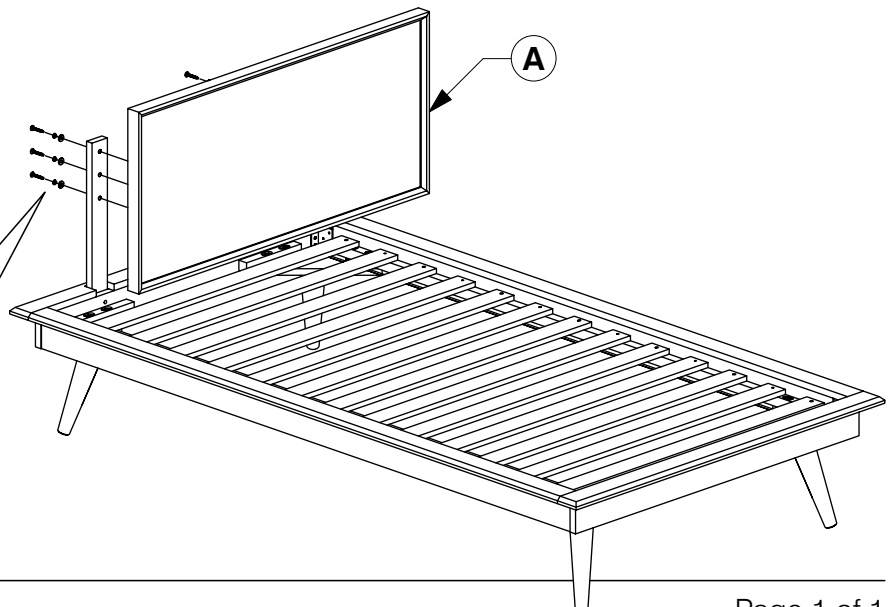
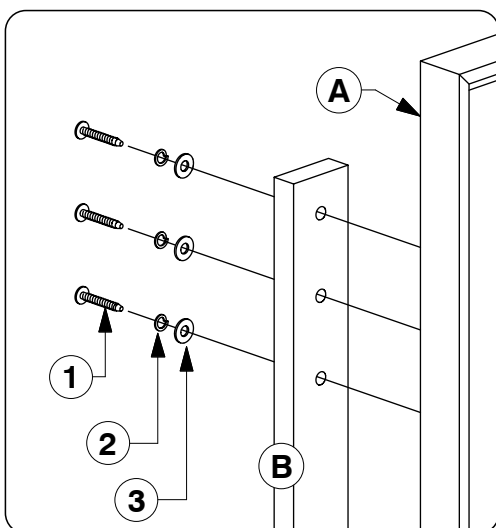
### 3 Assemble the Support Bars (B) to the Headboard Panel.



✓ Footboard, Rails & Slats are packed in separate Boxes with Bolts.

Note: Bolts & Washers from Footboard, Rails & Slats Box.

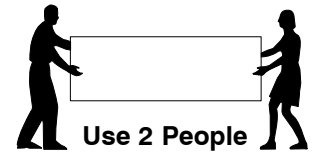
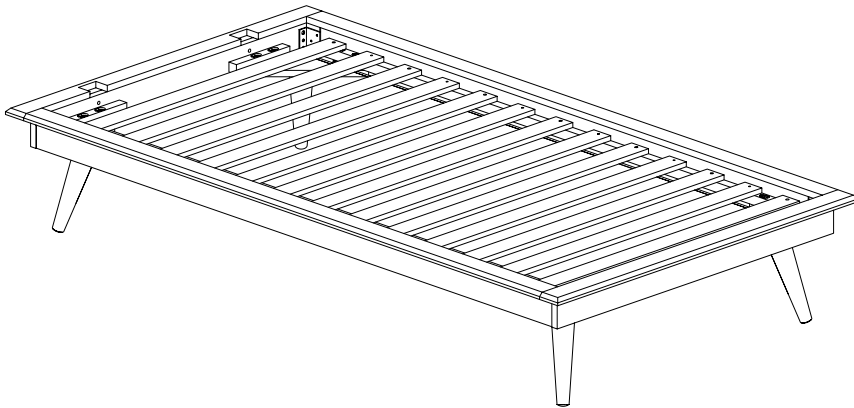
### 4 Assemble the Headboard Panel (A) to the Support Bars (B).



# Twin Bed

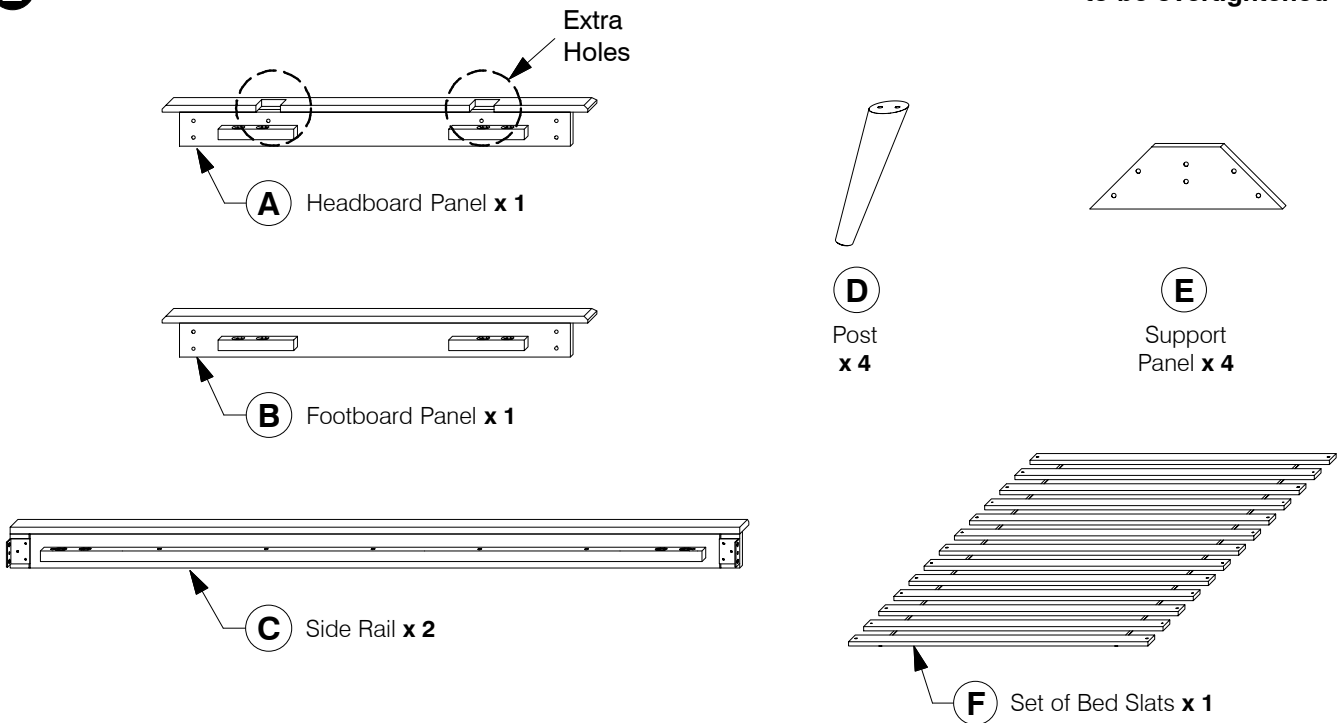
## Assembly Instructions

### 1 Assembled View



**Note:** Do not assemble using power tools. This can cause the bolts to be overtightened

### 2 Parts List



### 3 Hardware List



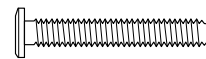
**1** M6 x 50mm JCB x 16



**2** M6 x 40mm JCB x 18



**3** M6 x 20mm JCB x 8



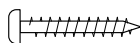
**4** M8 x 50mm JCB x 8



**5** Spring Washer x 28



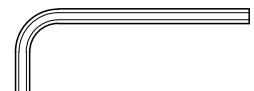
**6** Flat Washer x 28



**7** Wood Screw (M4 x 32mm) x 12



**8** M4 Allen Key x 1



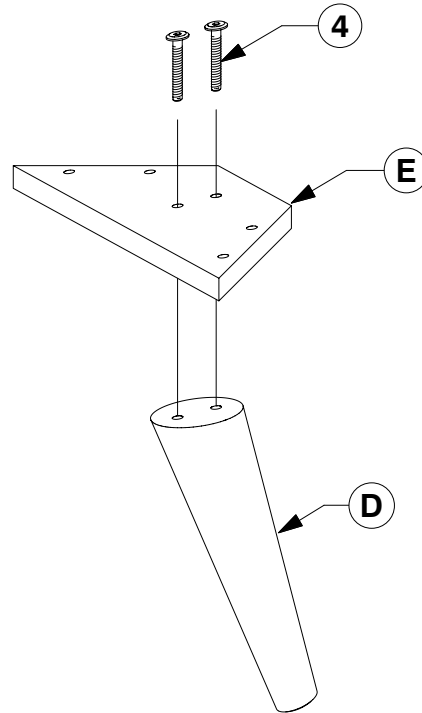
**9** M5 Allen Key x 1

# Twin Bed

## Assembly Instructions

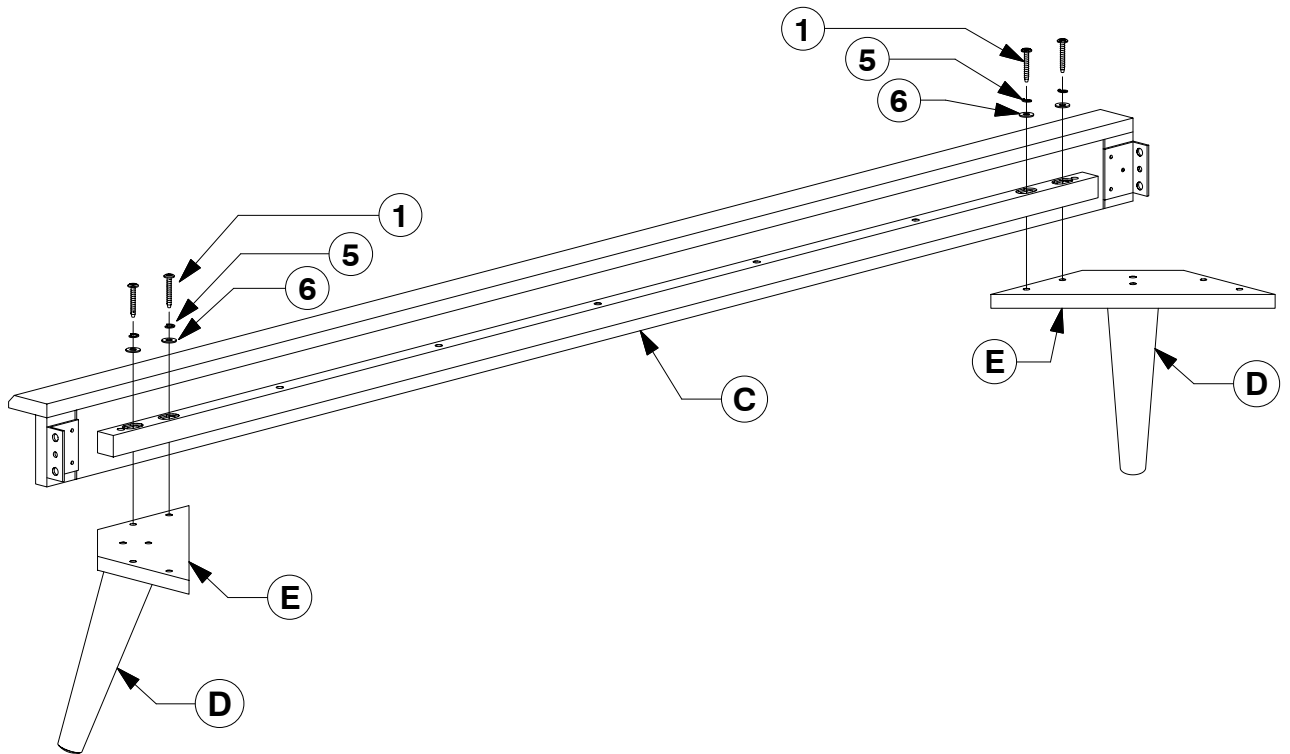
- 4** Fit the Post (D) to the Support Panel (E).

x4



- 5** Bolt the Post & Support Panel (D & E) to the Side Rail (C).

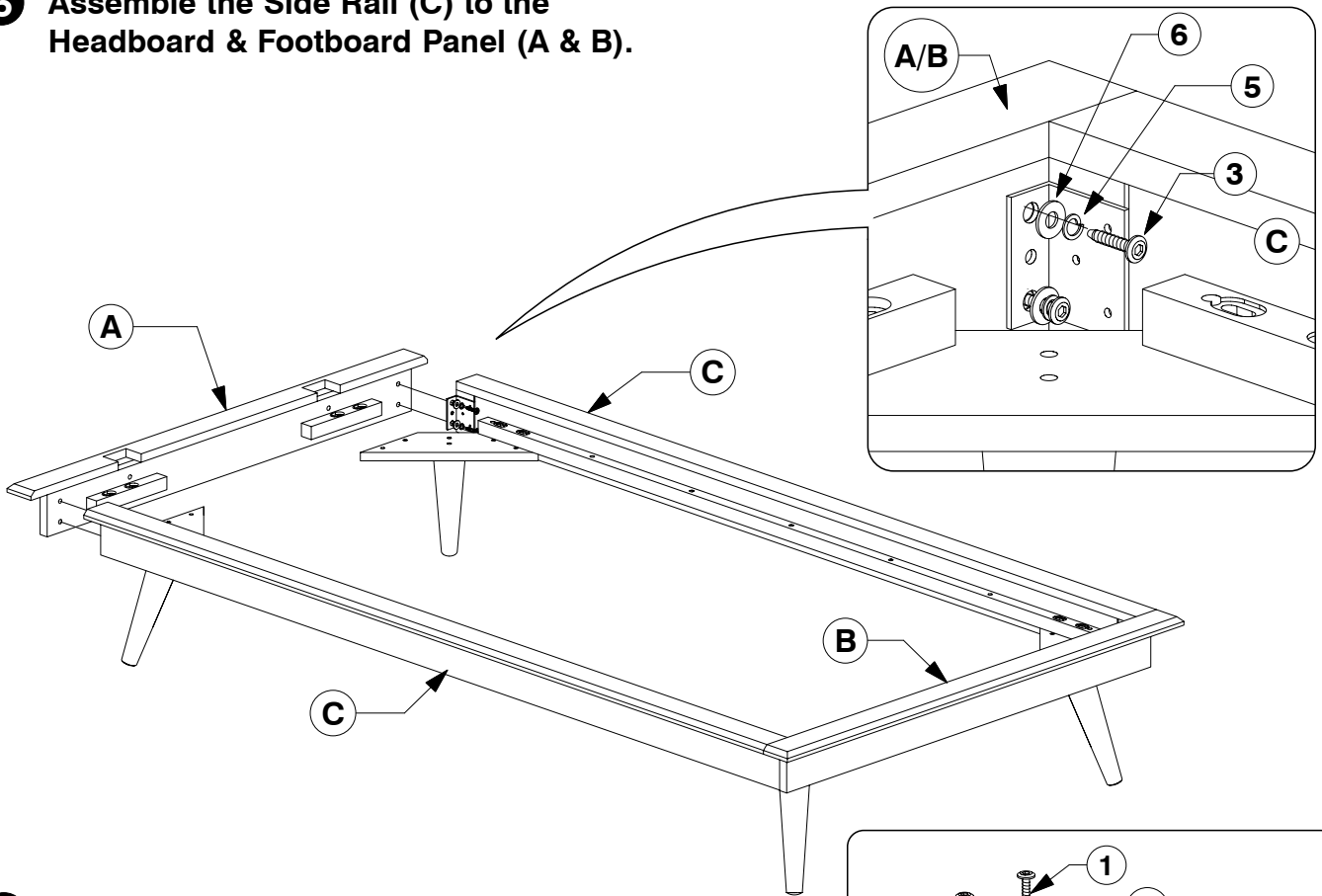
x2



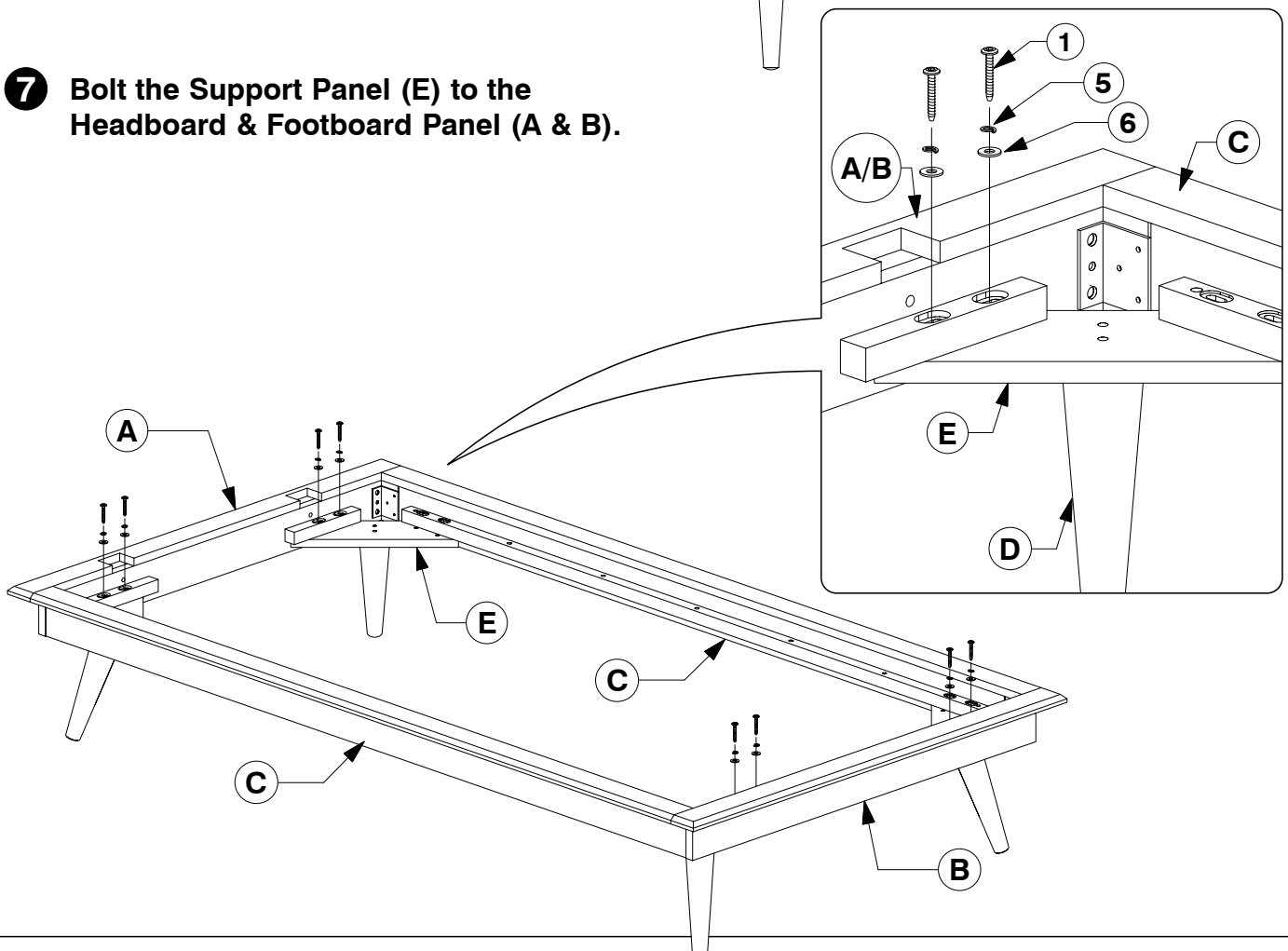
# Twin Bed

## Assembly Instructions

- 6** Assemble the Side Rail (C) to the Headboard & Footboard Panel (A & B).



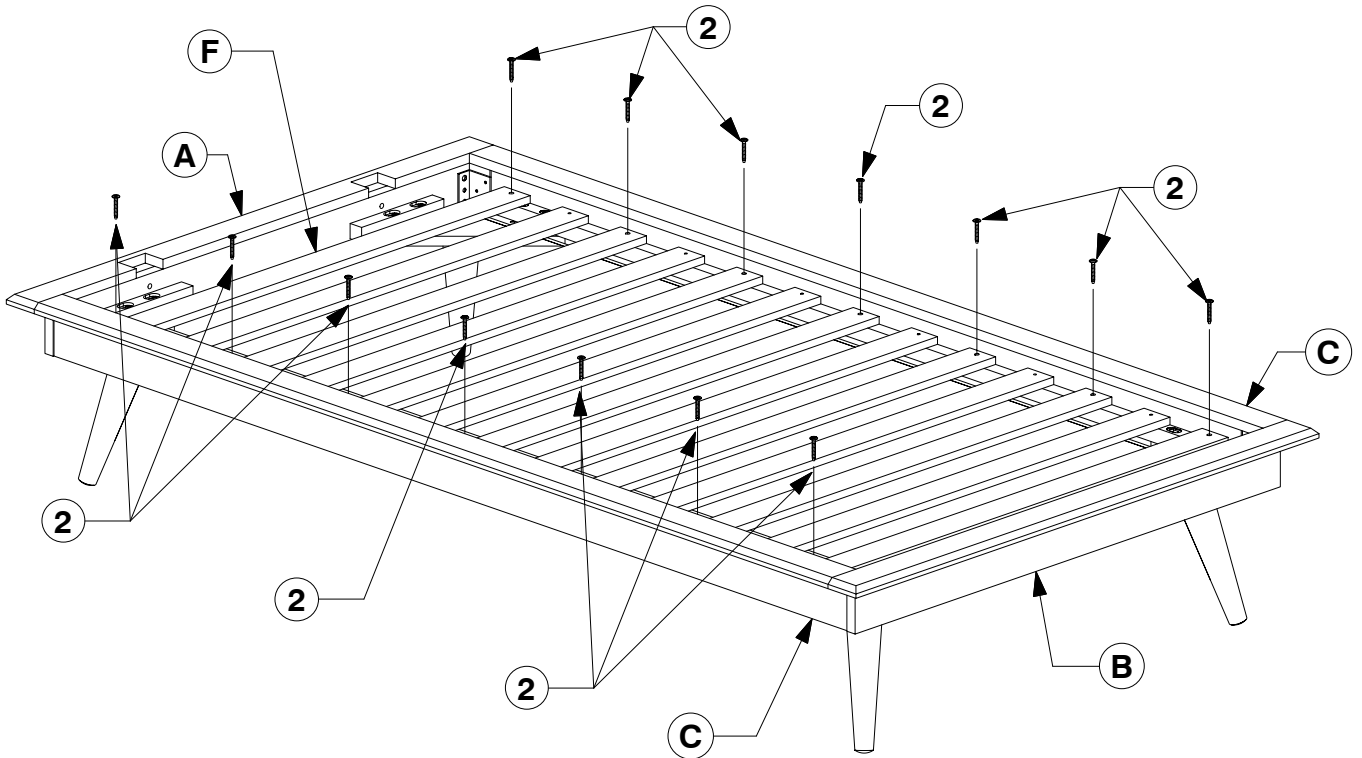
- 7** Bolt the Support Panel (E) to the Headboard & Footboard Panel (A & B).



# Twin Bed

## Assembly Instructions

- 8 Bolt the Bed Slats (F) to the Side Rail (C).**



- 9 Screw the Bed Slats (F) to the Side Rail (C).**

