

ASSEMBLY INSTRUCTIONS



HOME BAR

ASSEMBLY INSTRUCTIONS

ASSEMBLY TIPS:

1. Remove hardware from box and sort by size.
2. Please check to see that all hardware and parts are present prior to start of assembly.
3. Please follow attached instructions in the same sequence as numbered to assure fast & easy assembly.



WARNING!

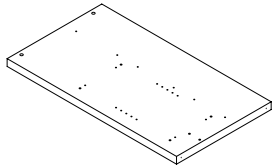
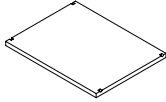
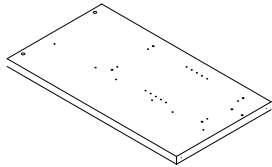
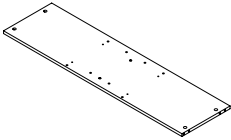
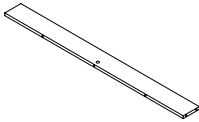
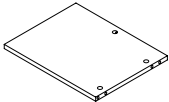
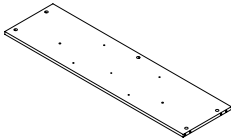
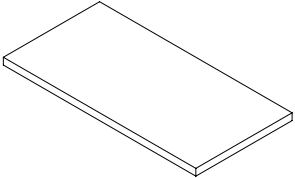
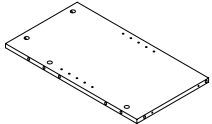
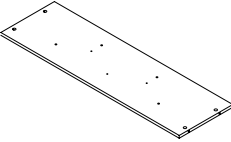
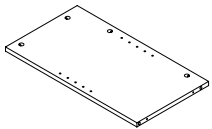
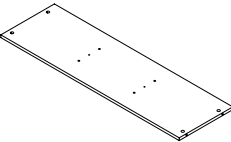
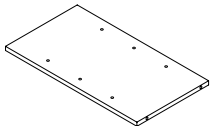
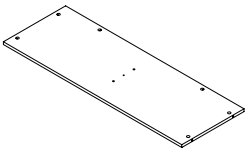
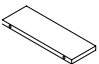
1. Don't attempt to repair or modify parts that are broken or defective. Please contact the store immediately.
2. This product is for home use only and not intended for commercial establishments.



ASSEMBLY TIME

60 MINUTES

PARTS IDENTIFICATION

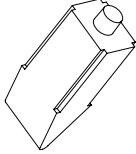
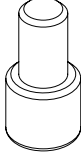
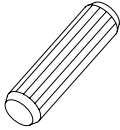
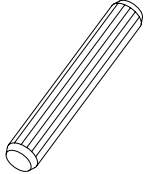
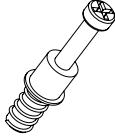
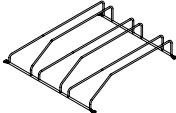



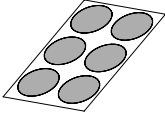
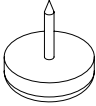
A	LEFT SIDE PANEL		1 PC	I	ADJUSTABLE SHELF		2 PCS
B	RIGHT SIDE PANEL		1 PC	J	UPPER CROSS PANEL		1 PC
C	FRONT TOP BAR		1 PC	K	UPPER DIVIDER PANEL		1 PC
D	BOTTOM PANEL		1 PC	L	TOP PANEL		1 PC
E	LOWER LEFT DIVIDER PANEL		1 PC	M	LOWER BACK PANEL		1 PC
F	LOWER RIGHT DIVIDER PANEL		1 PC	N	MIDDLE BACK PANEL		1 PC
G	LOWER MIDDLE DIVIDER PANEL		2 PCS	O	UPPER BACK PANEL		1 PC
H	SMALL CROSS PANEL		9 PCS				

NOTE:

Phillips head screw driver is required in the assembly process; however, manufacturer does not provide this item.

HARDWARE IDENTIFICATION

Z

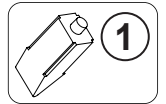
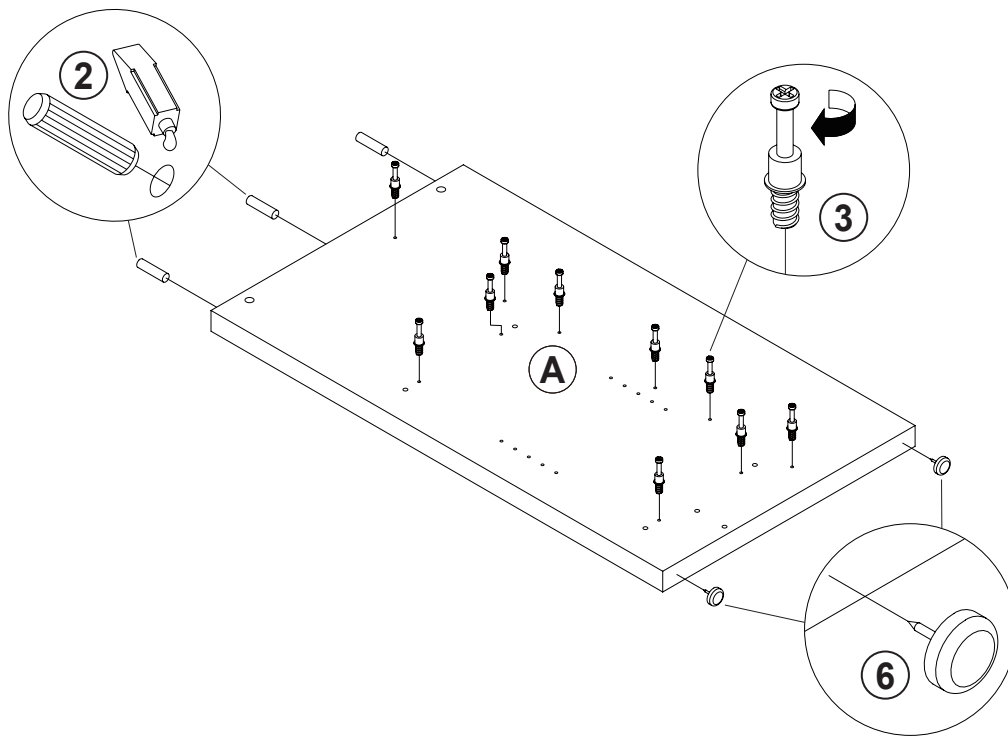
NO	DESCRIPTION	FIGURE	Q'TY	NO	DESCRIPTION	FIGURE	Q'TY
1	GLUE 40g		2 PCS	7	PIN FOR ADJUSTABLE SHELF Ø4.9x8mm SR		8 PCS
2	WOODEN DOWEL Ø8 x 30mm		65 PCS	8	WOODEN DOWEL Ø8 x 50mm		12 PCS
3	CAM BOLT Ø7 x 35.5mm SR		39 PCS	9	GLASS HOLDER		2 PCS
4	CAM LOCK Ø15 x 12mm SR		39 PCS	10	FIXER SCREW Ø3x19mm SR		8 PCS
5	LONG SCREW Ø 4.5x42mm SR		6 PCS	11	STICKER Ø20mm		7 PCS
6	PLASTIC FEET Ø15m		4 PCS				

Z9 not included in blister packaging.

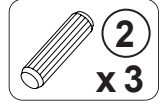
NOTE:

Phillips head screw driver is required in the assembly process; however, manufacturer does not provide this item.

STEP 1

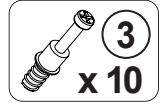


1



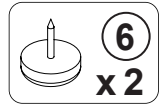
2

x 3



3

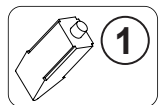
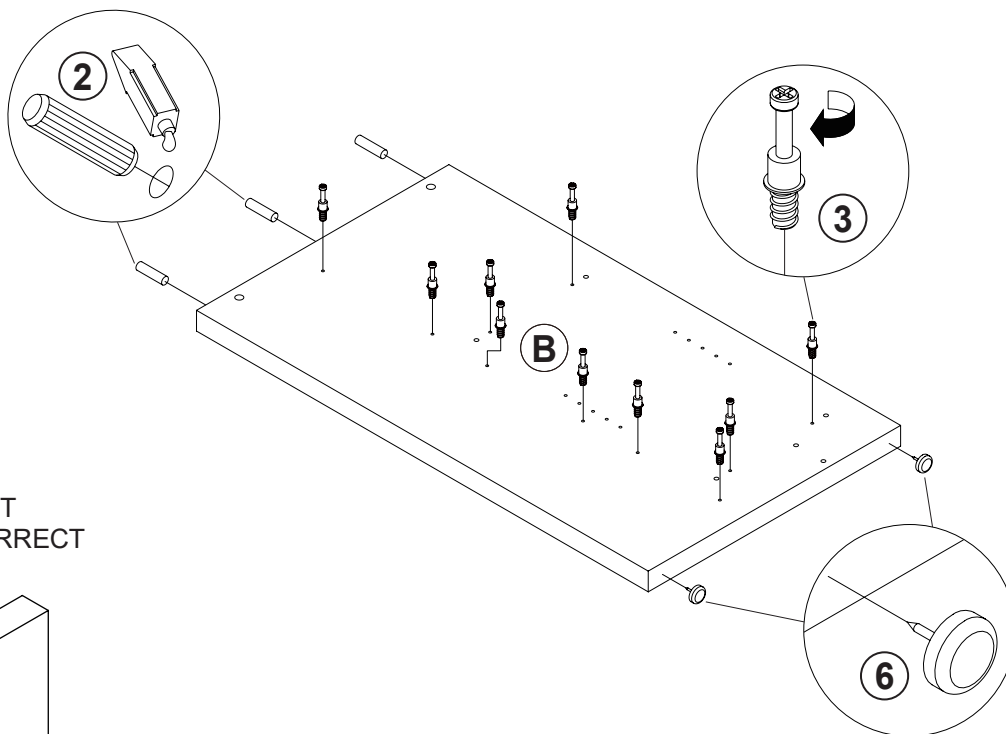
x 10



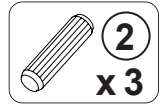
6

x 2

STEP 2

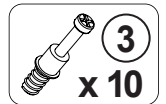


1



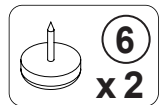
2

x 3



3

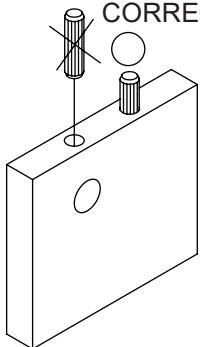
x 10



6

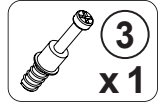
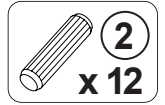
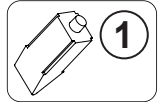
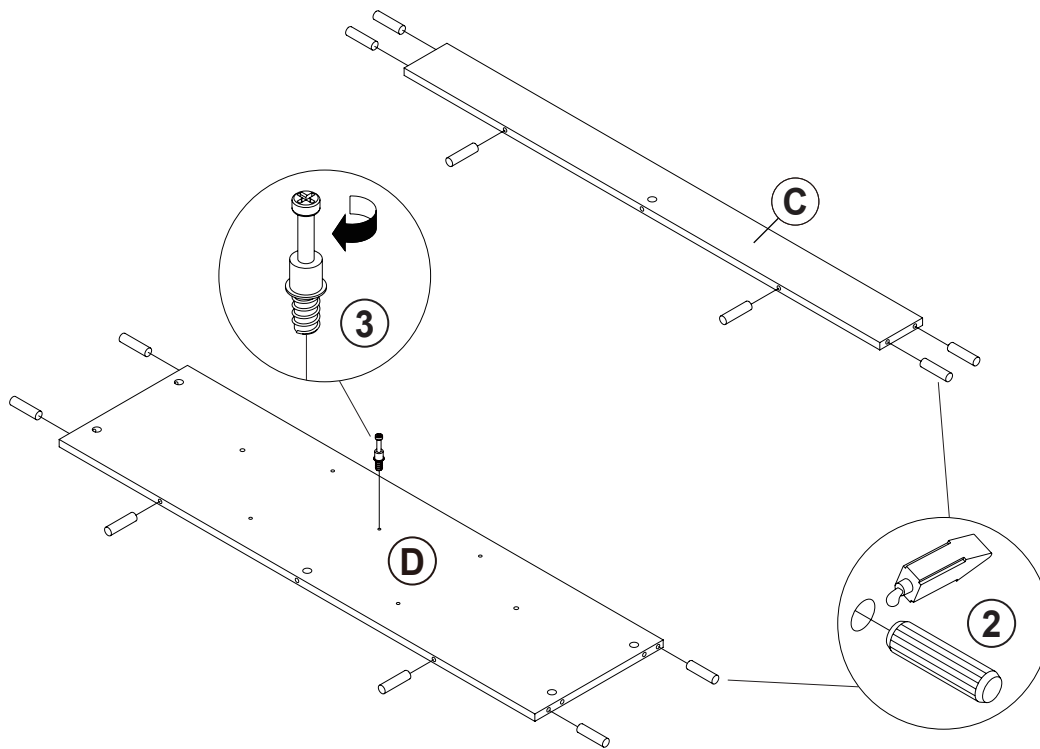
x 2

INCORRECT
CORRECT

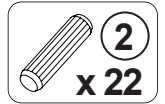
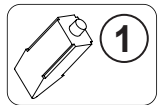
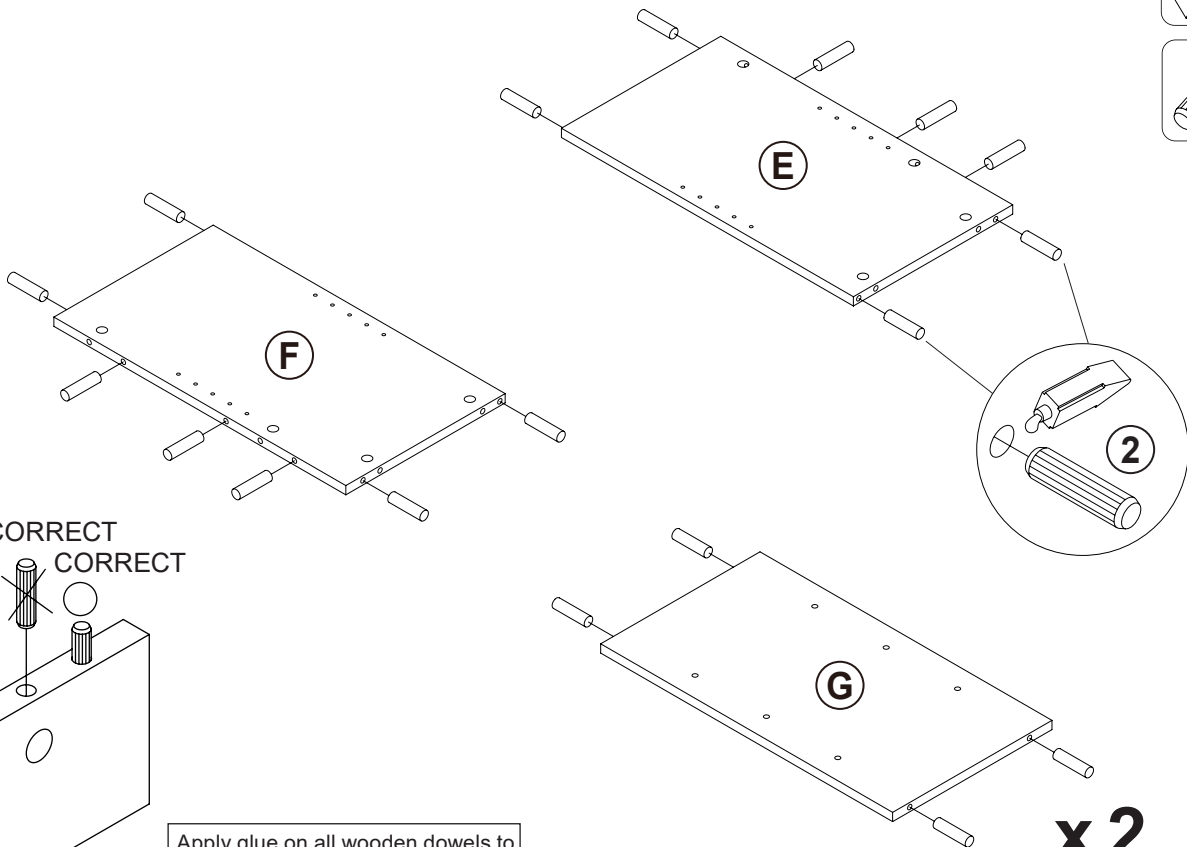


Apply glue on all wooden dowels to ensure integrity of the structure.

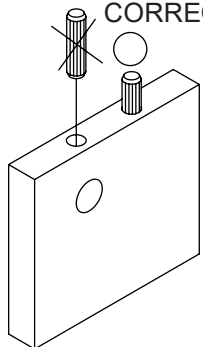
STEP 3



STEP 4



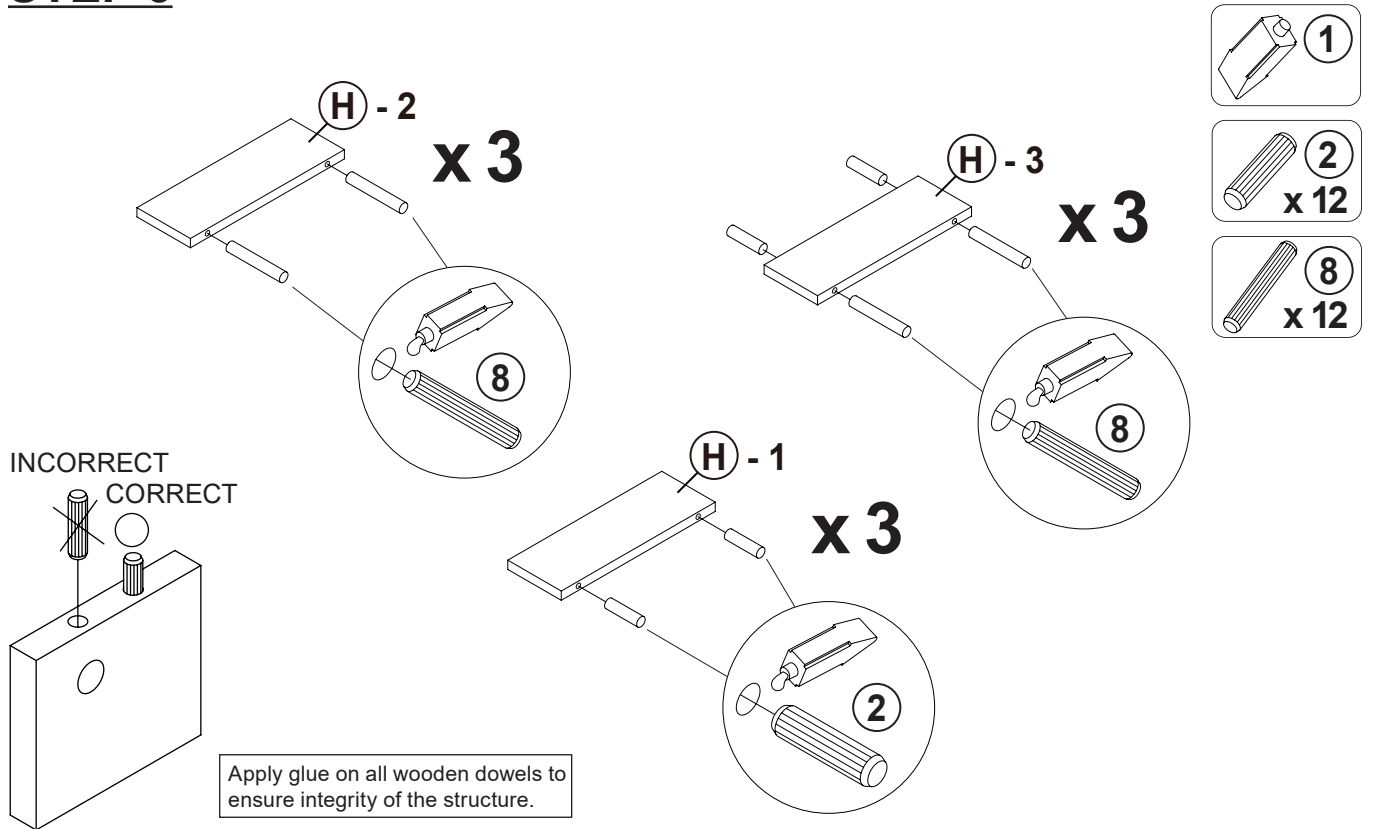
INCORRECT
CORRECT



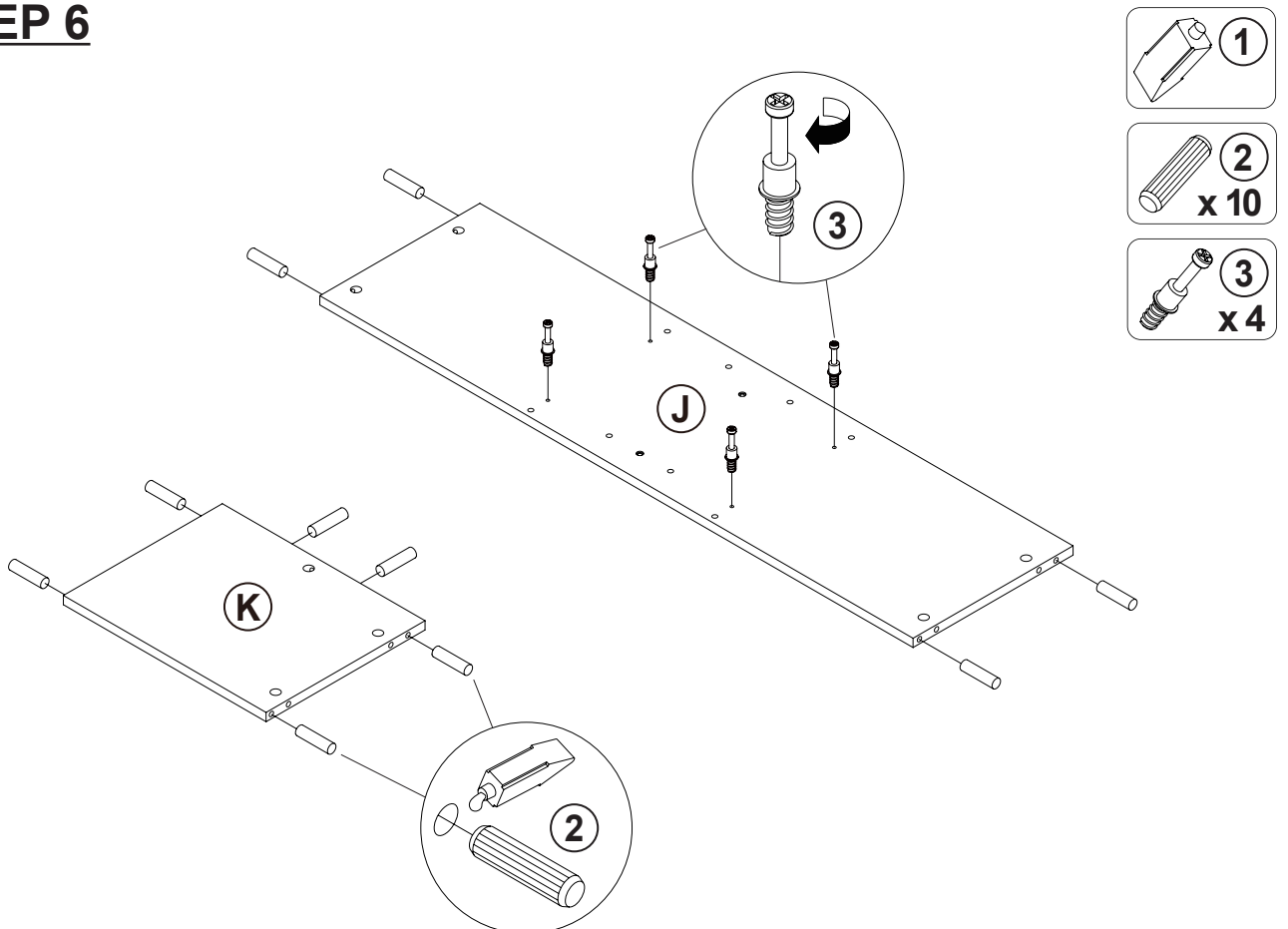
Apply glue on all wooden dowels to ensure integrity of the structure.

x2

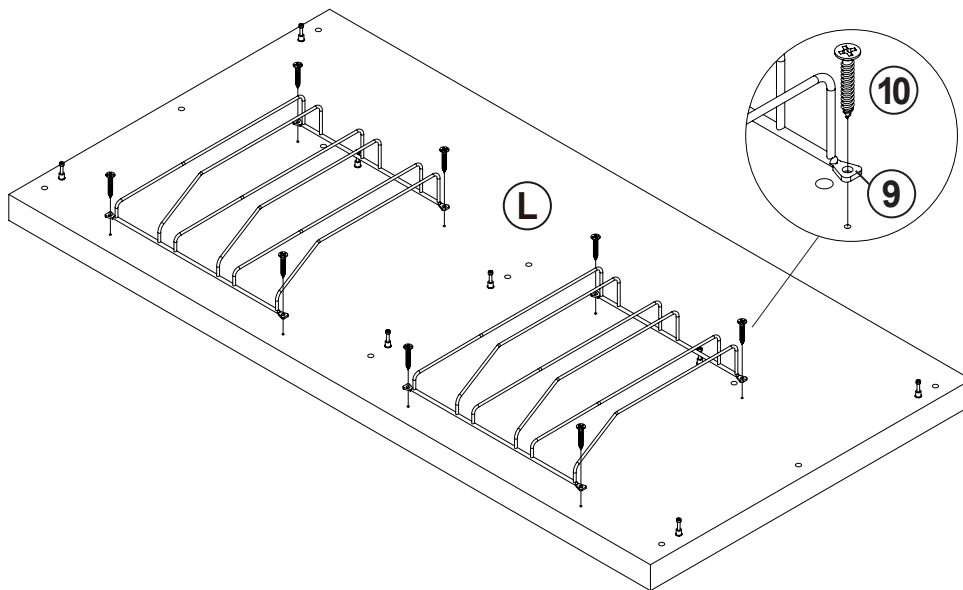
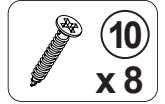
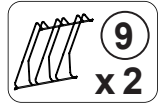
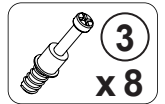
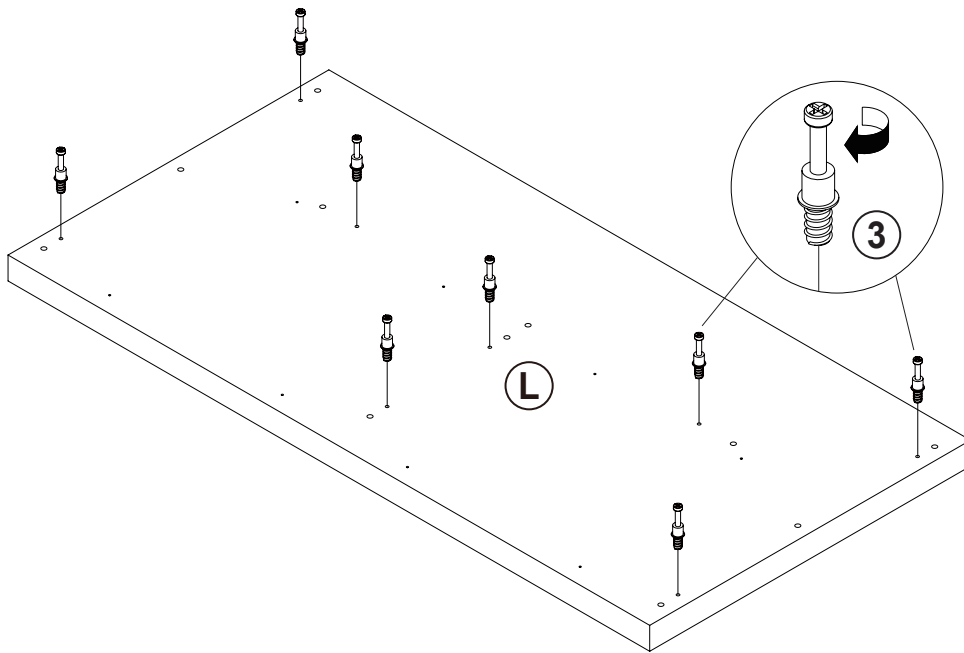
STEP 5



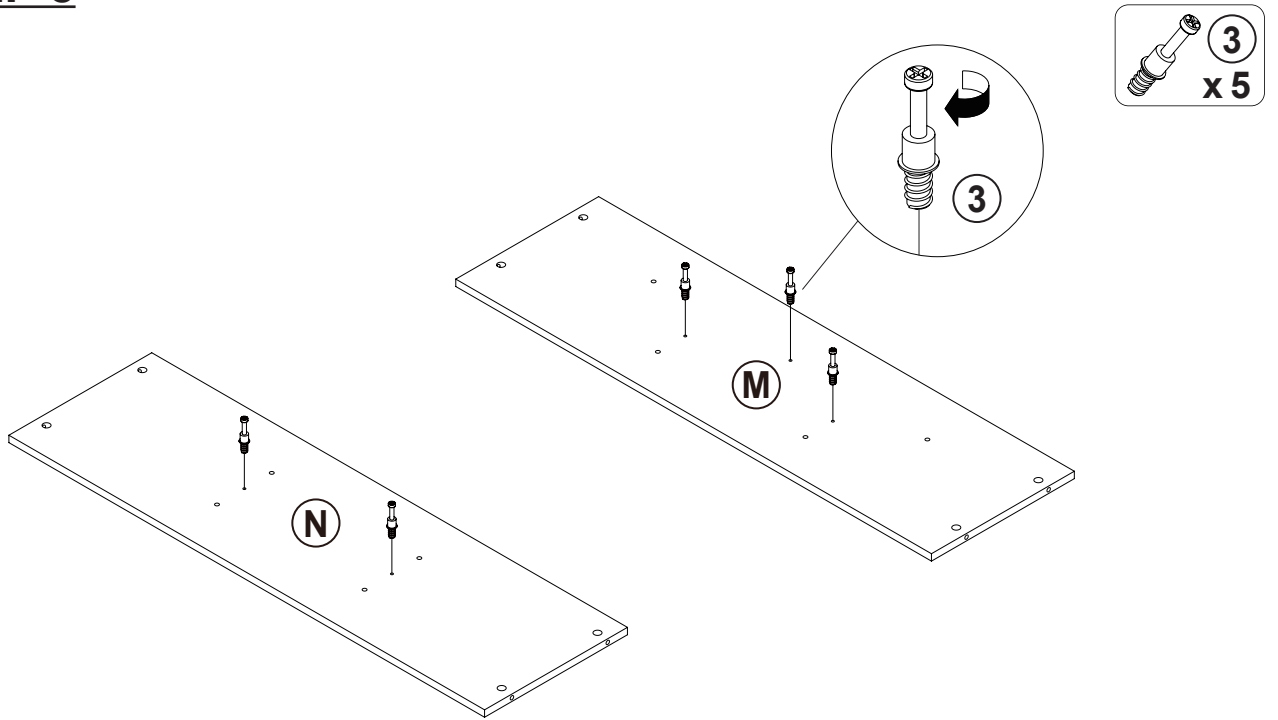
STEP 6



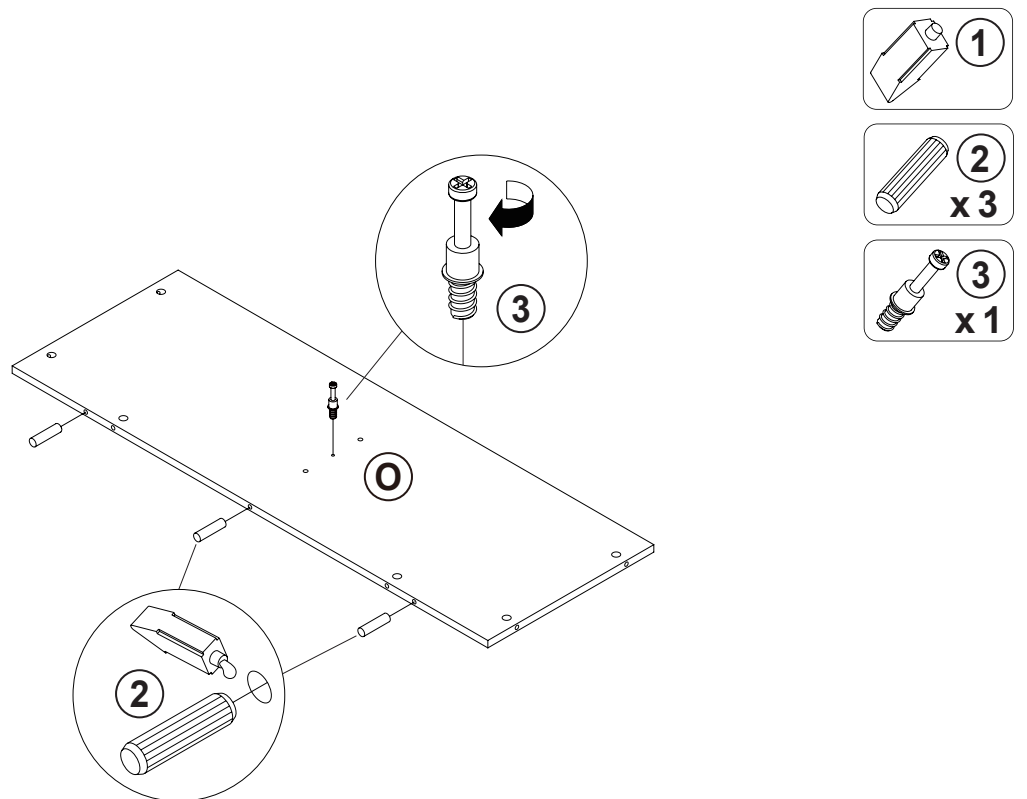
STEP 7



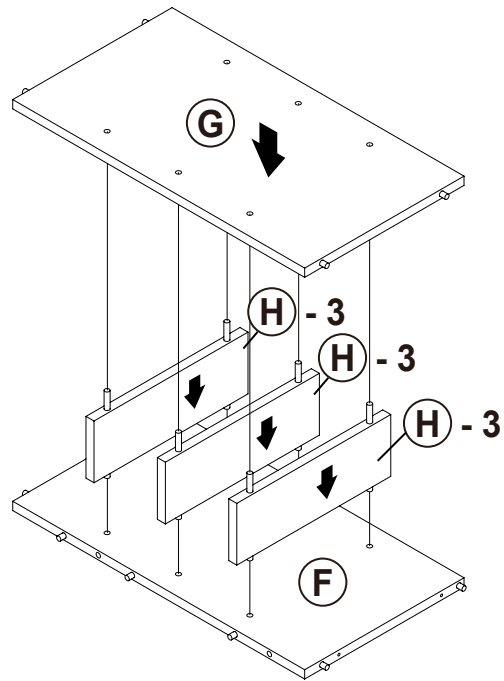
STEP 8



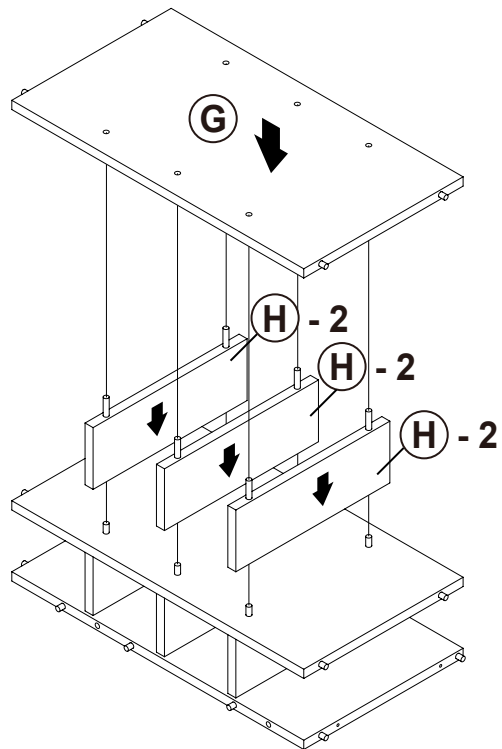
STEP 9



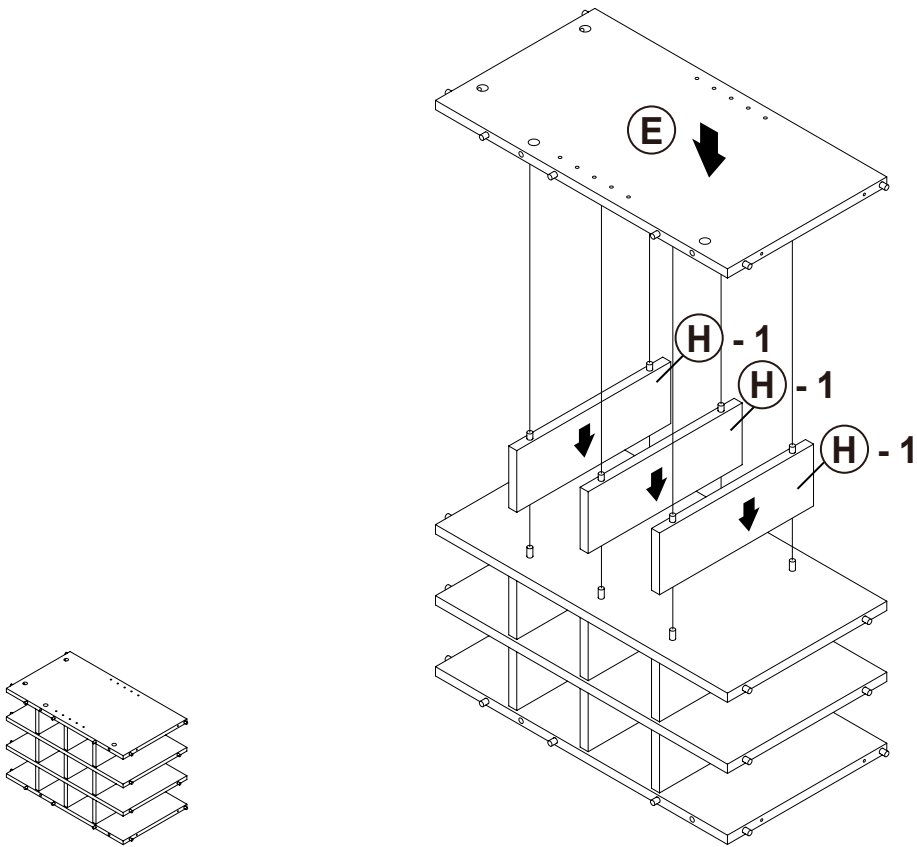
STEP 10



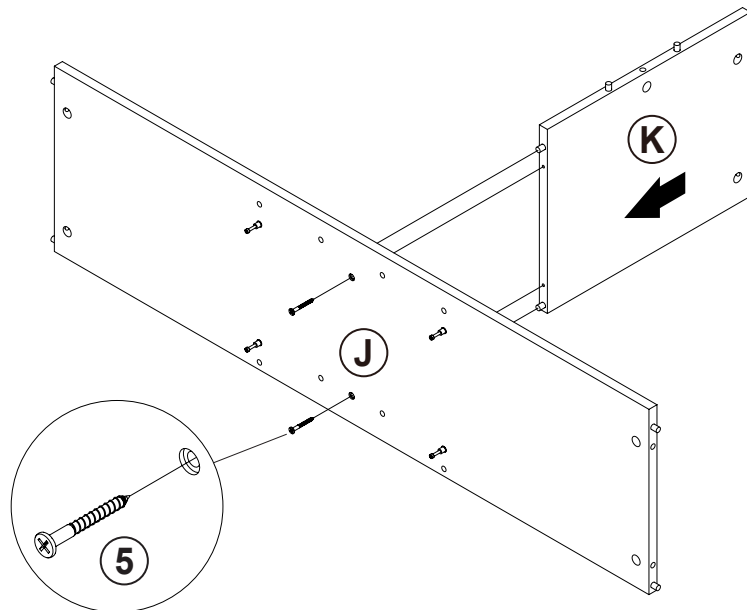
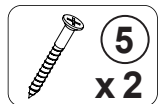
STEP 11



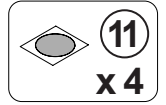
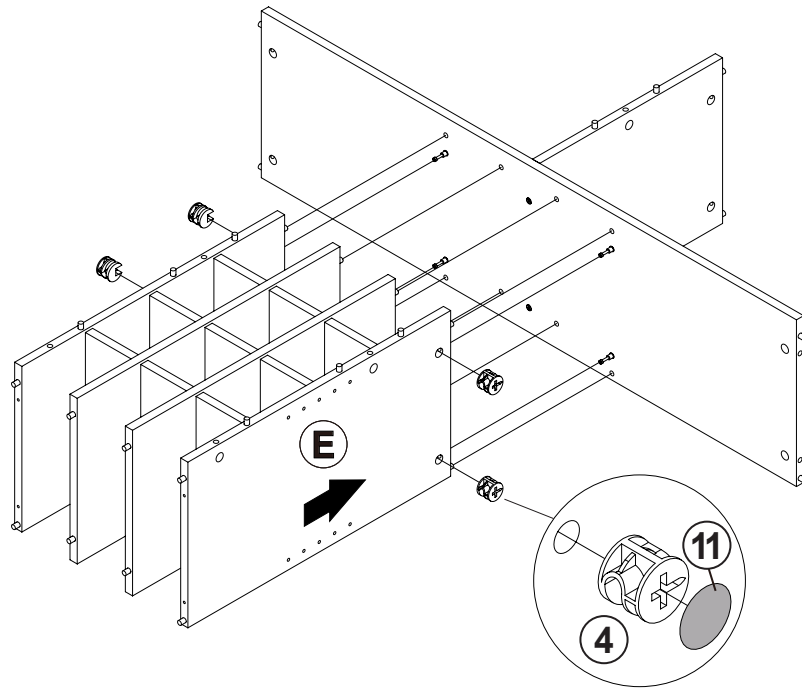
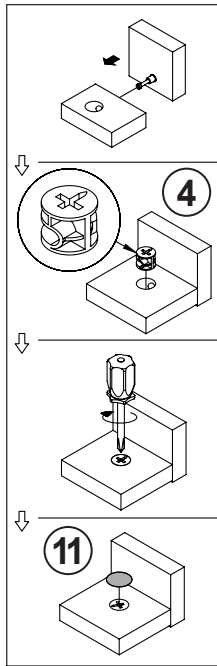
STEP 12



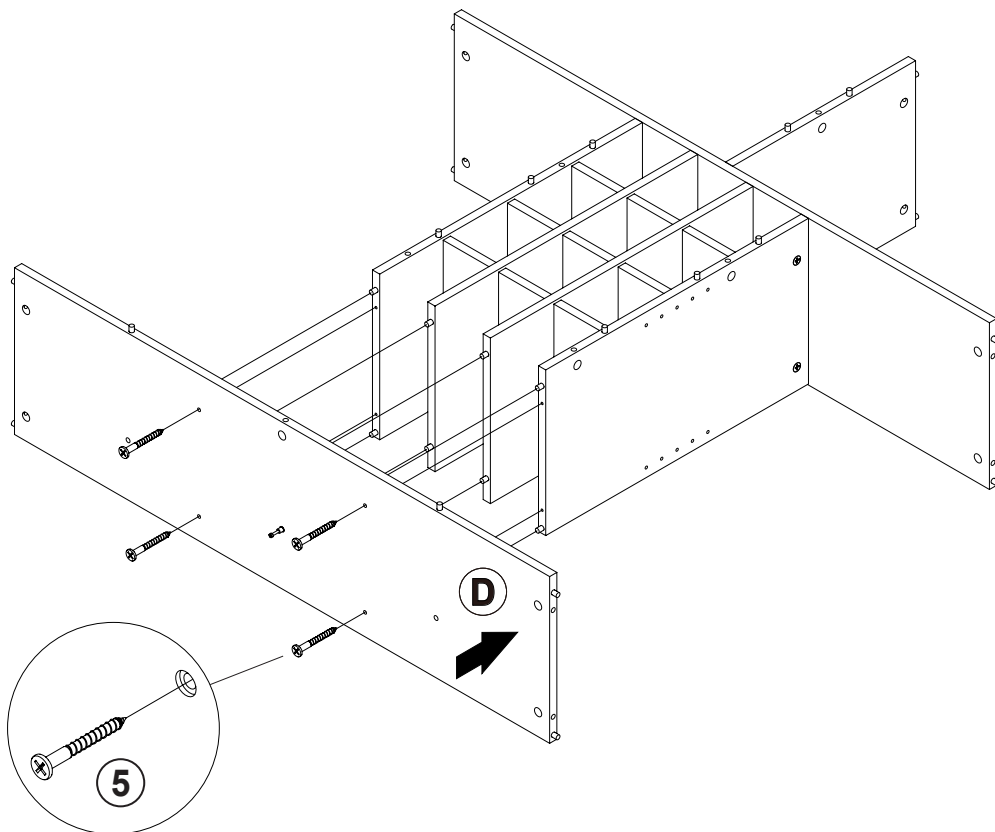
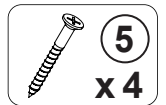
STEP 13



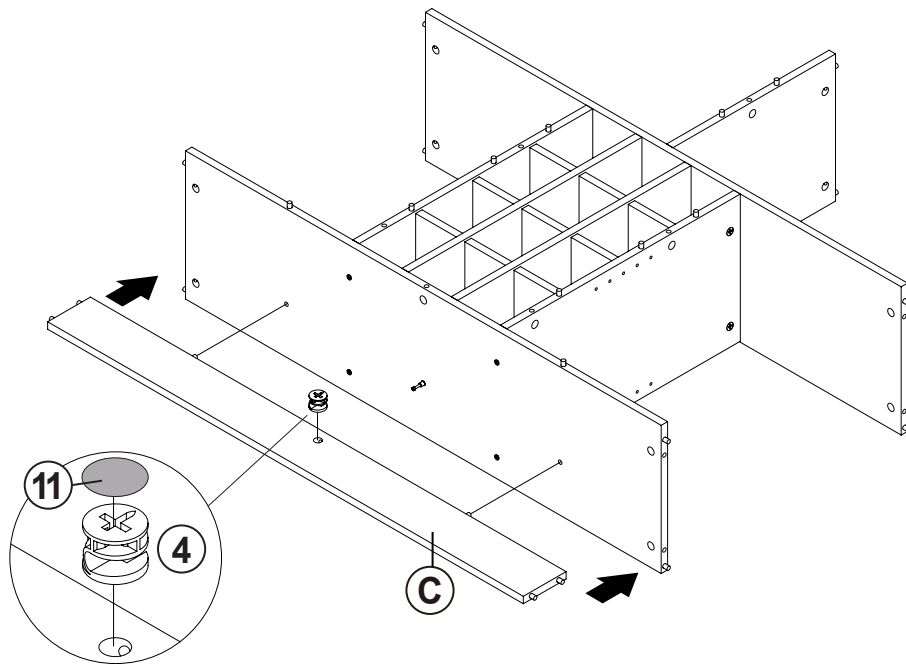
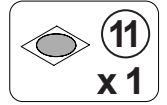
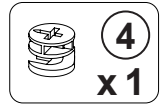
STEP 14



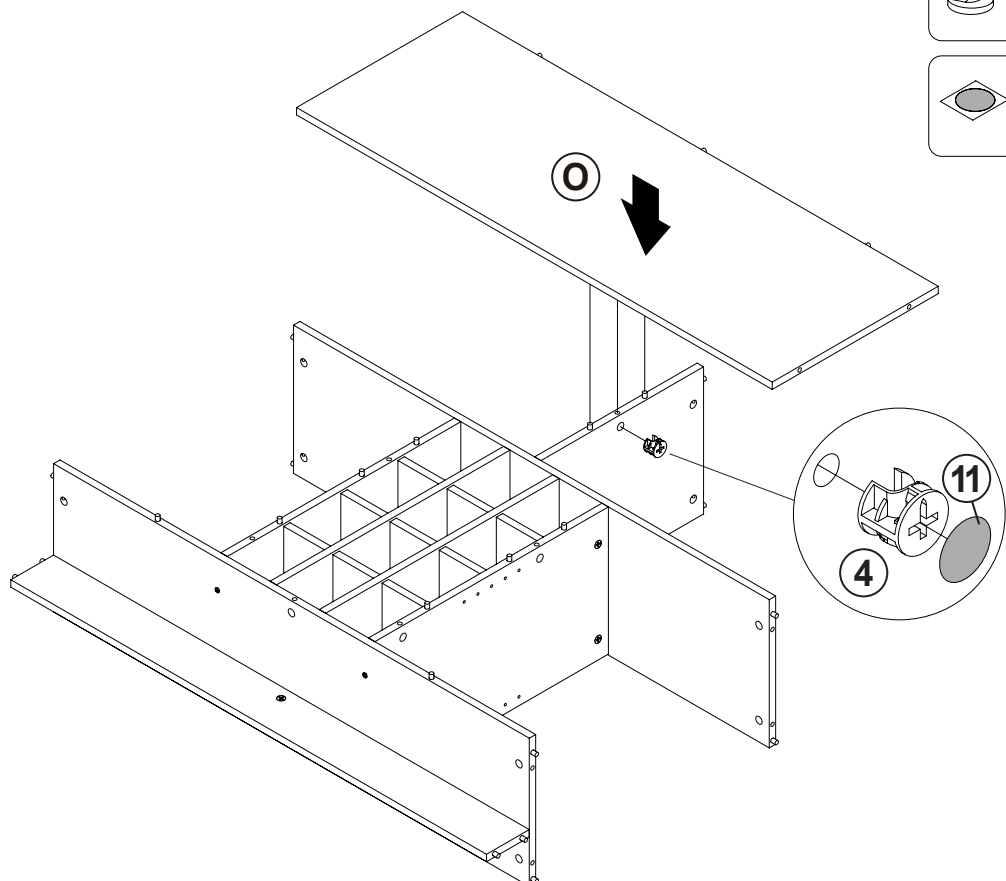
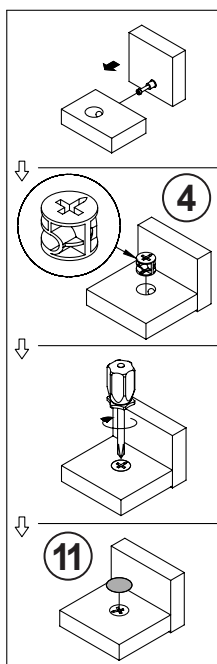
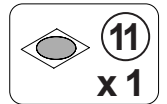
STEP 15



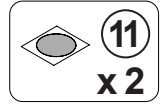
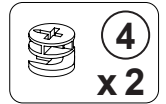
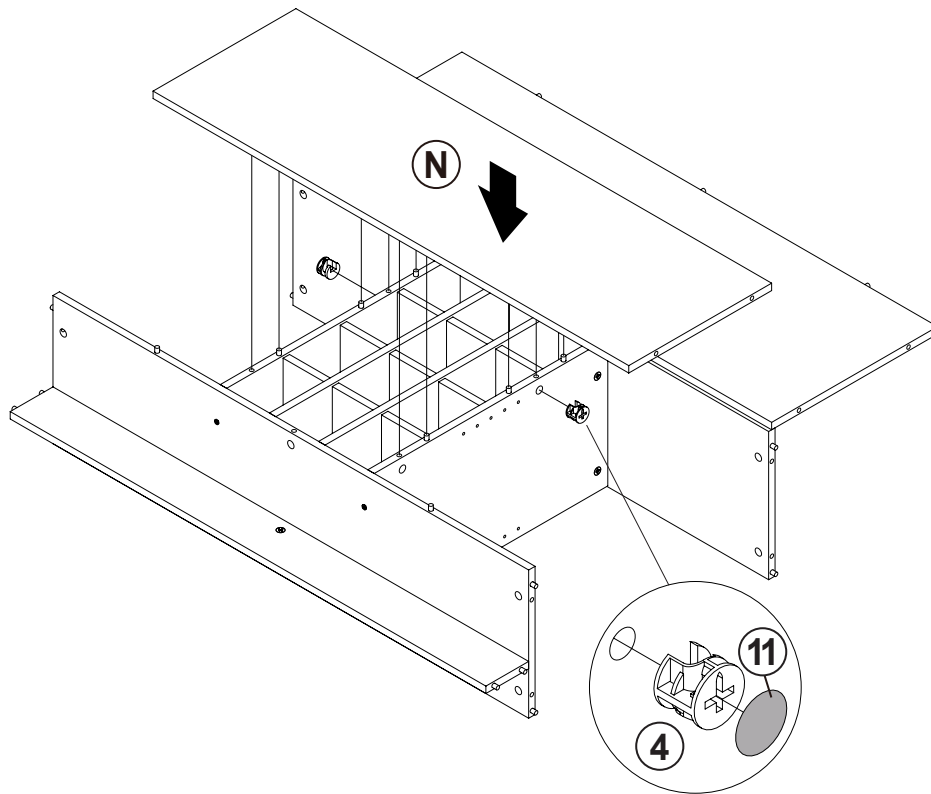
STEP 16



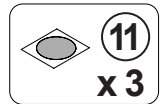
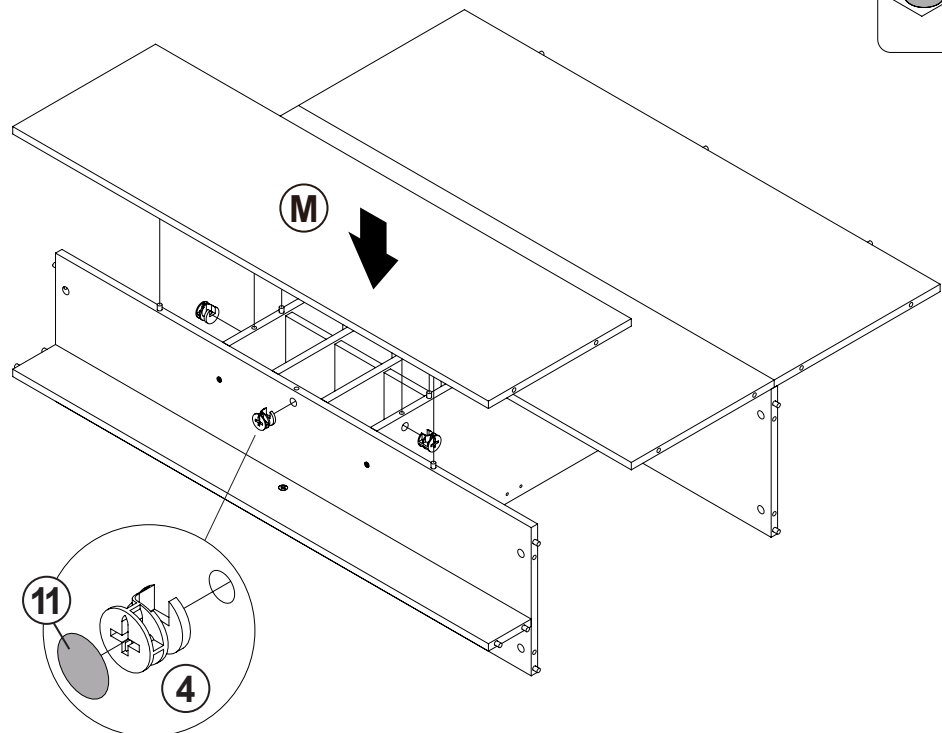
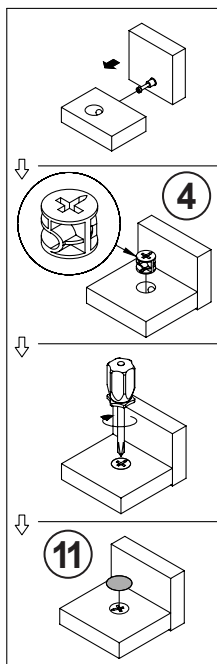
STEP 17



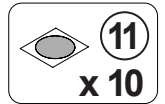
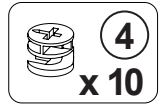
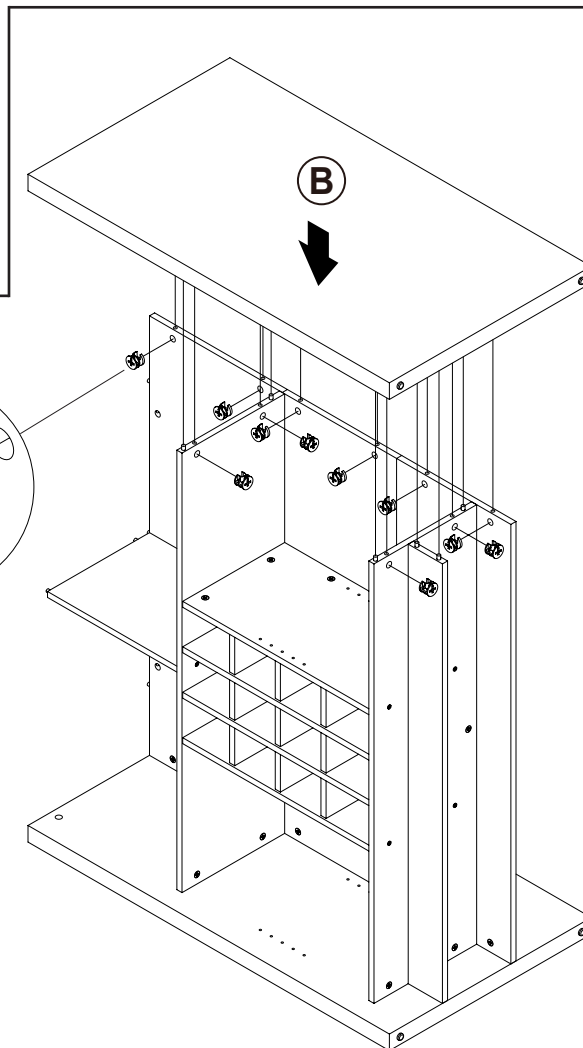
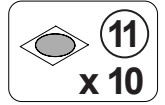
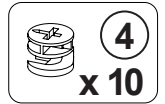
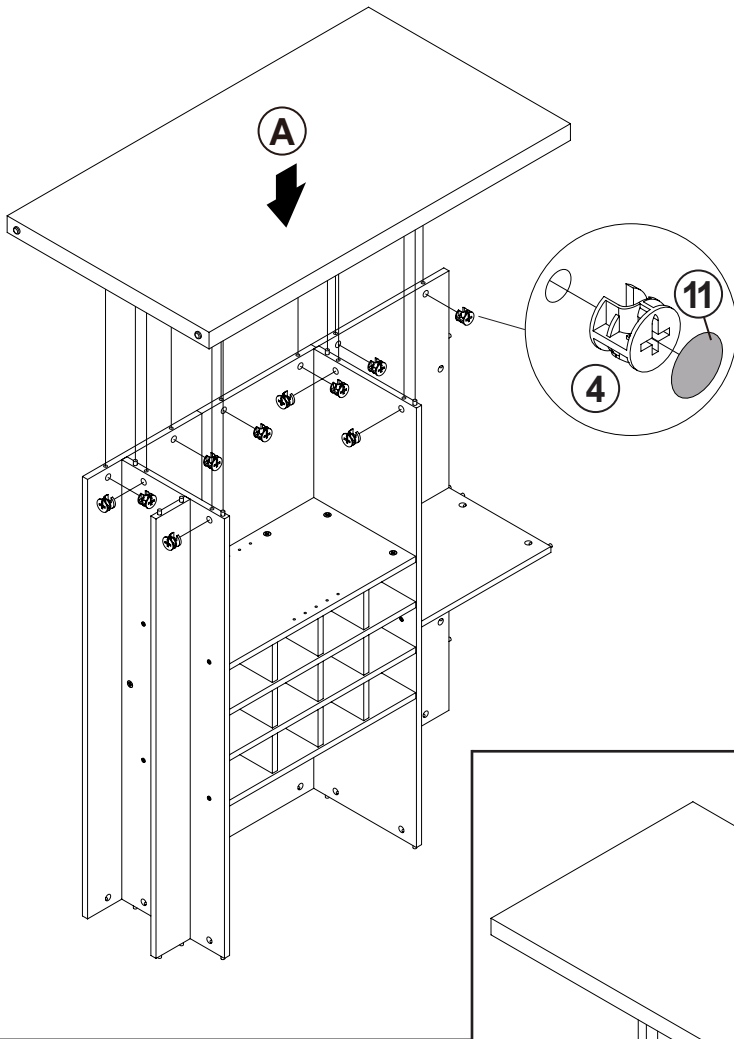
STEP 18



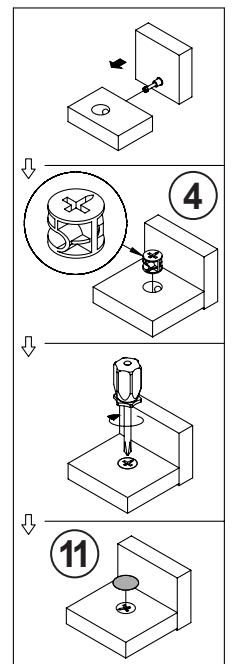
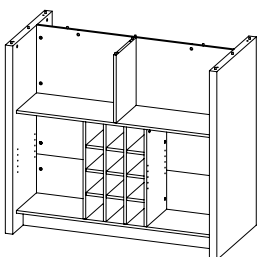
STEP 19



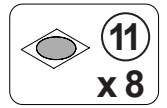
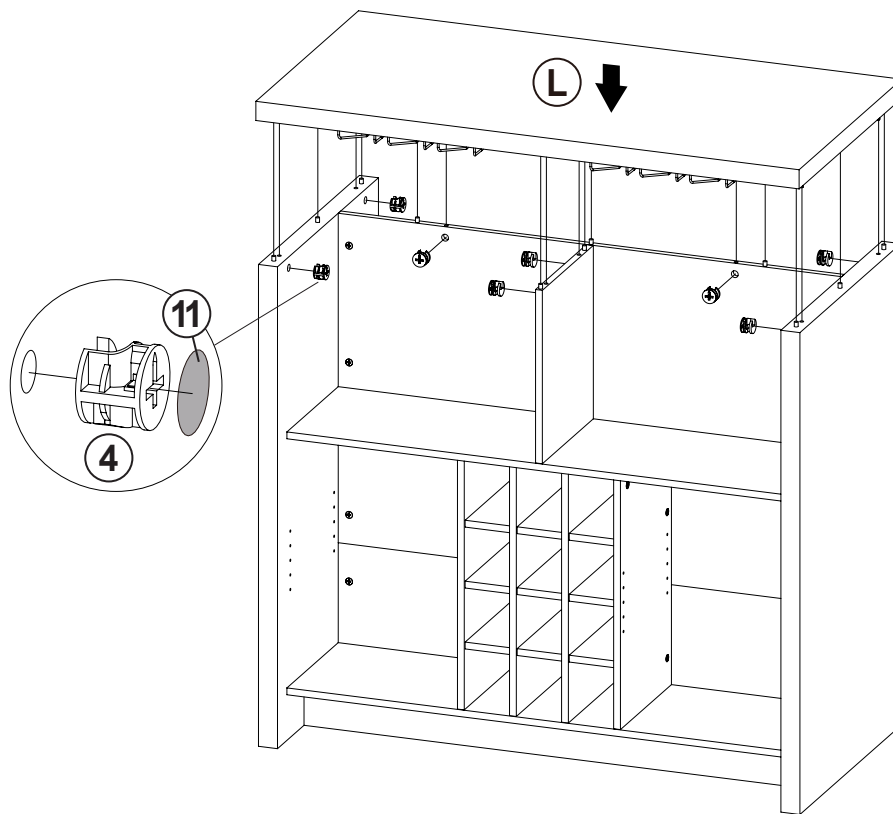
STEP 20



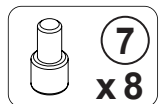
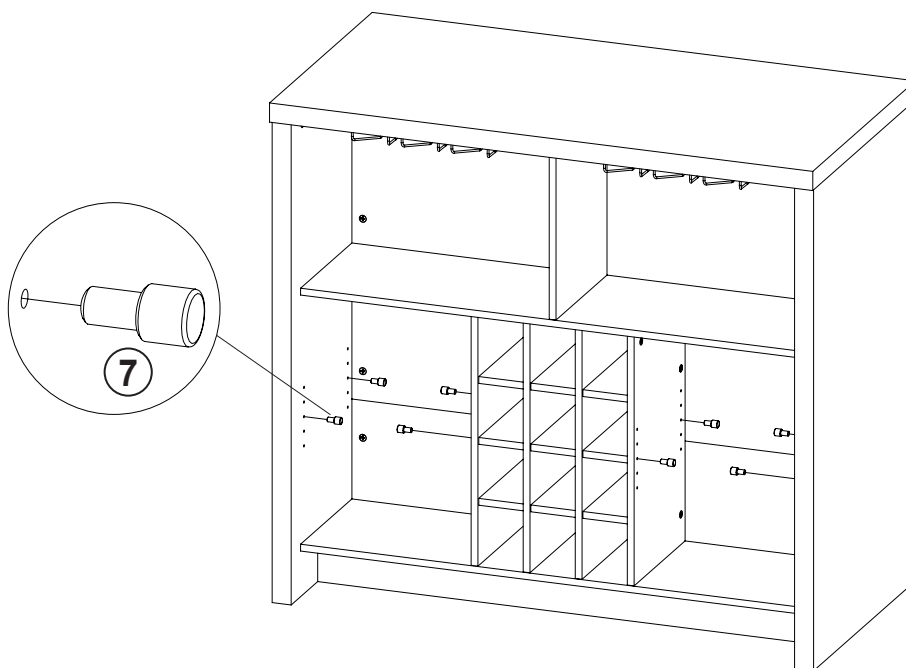
STEP 21



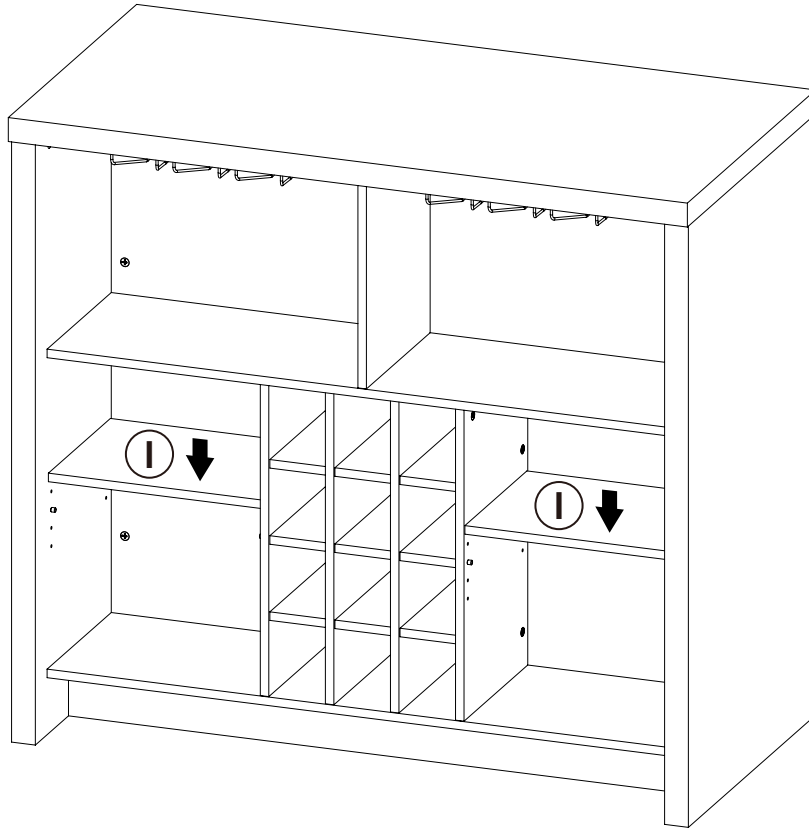
STEP 22



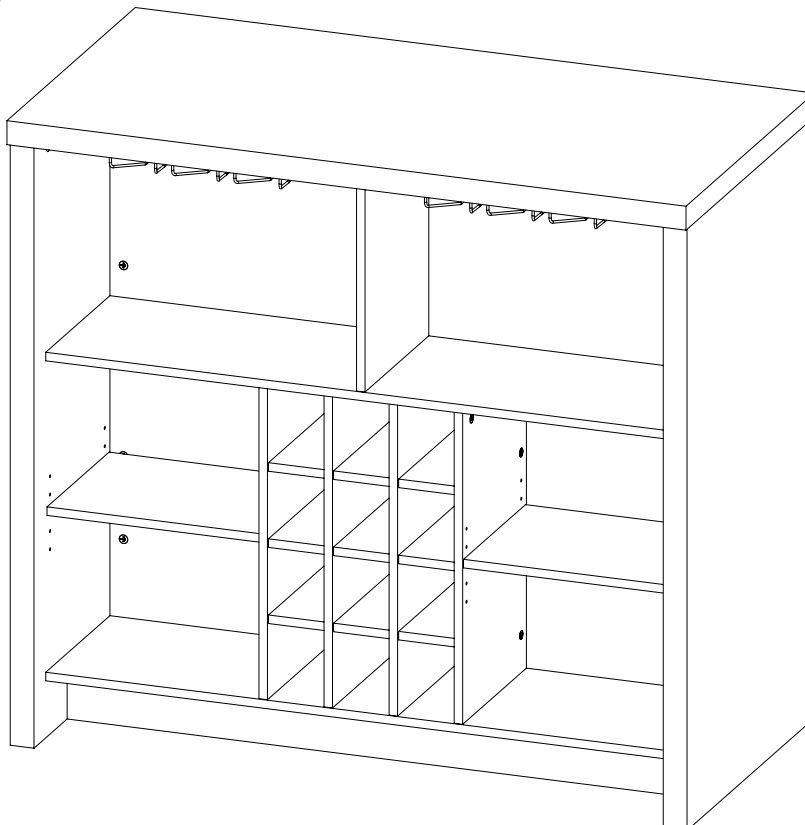
STEP 23

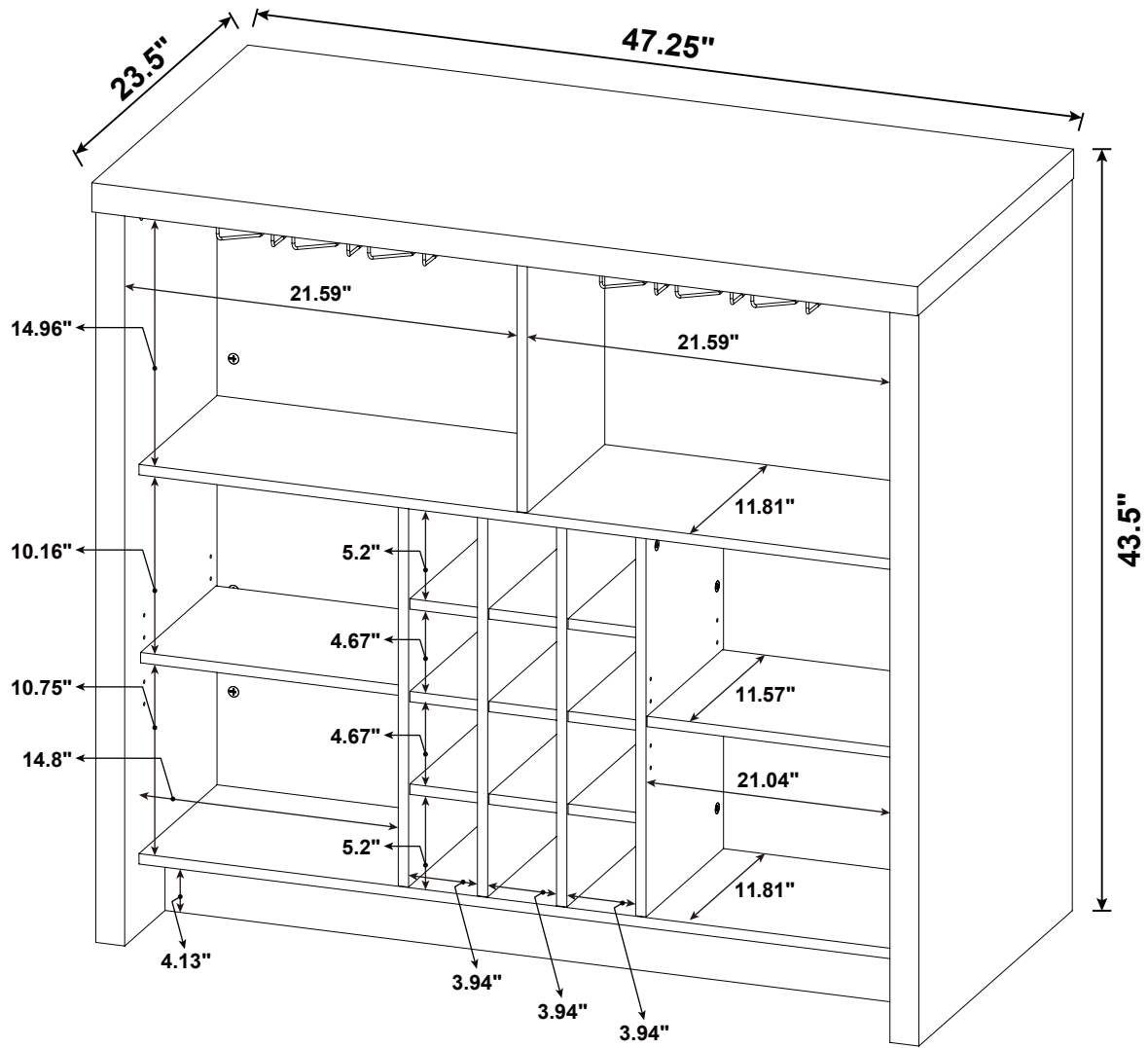


STEP 24



STEP 25 **COMPLETE**





Note : Dimension tolerance $\pm 5\%$