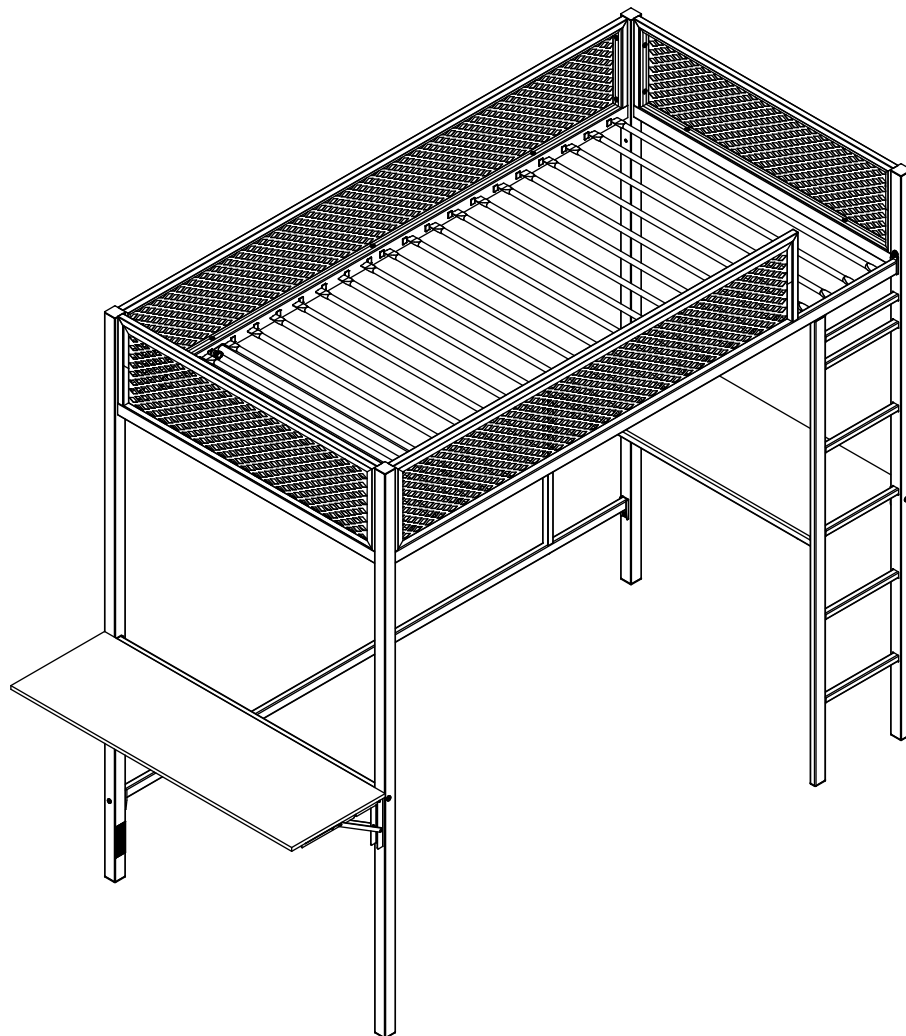


# ASSEMBLY INSTRUCITONS

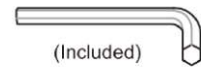
Weight Limit:  
Bed: 175 LBS  
Desk: 70 LBS  
Closet Rod: 35 LBS



## TOOLS REQUIRED



Screwdriver  
( Not included)



(Included)  
Allen Wrench



2 - People

## ASSEMBLY RATING



EASY —————> DIFFICULT

The Assembly Rating is a 5-point system showing the level of effort needed to assemble a specific product.



## **CHECK BEFORE STARTING**

### **Are you missing anything?**

Double-check all parts, hardware and accessories listed are all accounted for.

### **Check out our Quick Tips!**

We recommend reviewing the pre-assembly handouts. Even experts need a refresher now and then!

### **Should we send any replacements?**

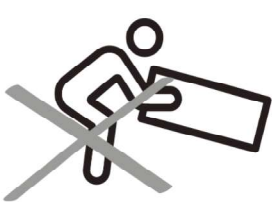
Are there any irregularities or flaws in the parts? We can send replacements!

### **Prep Time!**

Please review the assembly instructions and all diagrams prior to assembling.

# PRE ASSEMBLY INTRODUCTION

We understand building ready-to-assemble furniture can be a challenging experience for some. To help avoid confusion, we have provided some helpful tips that may speed up the process.



## Teamwork

ALWAYS have at least two people to help with transporting and assembling the product to avoid potential injury and/or damage.



## Suitable Location

Assembling near the area of the intended location is highly recommended.



## Sufficient Space

Make sure you have enough space to move around during the assembly.



## Avoid Scratches

Use cardboard, blankets or a carpeted area while assembling furniture to prevent scratches and damages.



## Flat Surface

Make sure the furniture rests on a flat and level surface with each leg evenly touching the floor.

# ASSEMBLY AND CARE ADVICE



**FAILURE TO FOLLOW THE GUIDELINES BELOW MAY RESULT IN INJURY AND/OR PROPERTY DAMAGE.**



Position each part correctly and insert screws or bolts into their respective holes.



Turn clockwise to tighten and only tighten when step is completed or when instructed to do so.



Use the appropriate hand tools or power tools for assembly. Select steps, such as tightening screws and/or bolts, may require hand tools to avoid causing damage during assembly.



Save the instructions and store any supplied tools for later maintenance.



After two weeks, check and tighten any loose hardware and repeat again every six months thereafter.

**IT IS THE USER'S RESPONSIBILITY TO MAINTAIN THE FURNITURE. THE HARDWARE MAY LOOSEN OVER TIME AND MAY CAUSE THE FURNITURE TO BE WOBBLY AND UNABLE TO SUPPORT ITS INTENDED WEIGHT CAPACITY. THIS MAY LEAD TO COLLAPSE AND MAY CAUSE SERIOUS INJURY.**

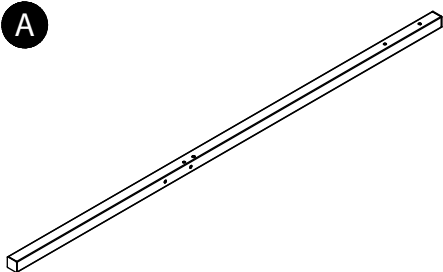
# BUNK BED



- Please keep instructions for future reference.
- Check the quantity and irregularity of parts and hardware before you start.

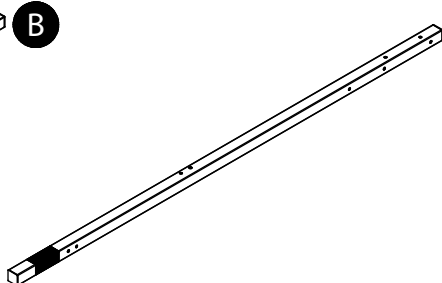
## PARTS

A



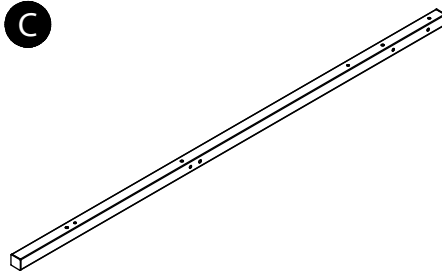
POST  
1pc.

B



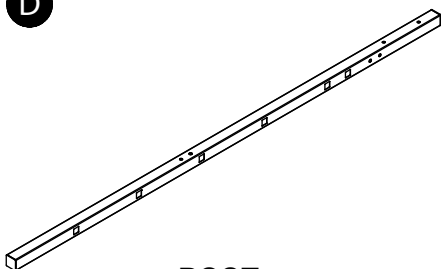
POST  
1pc.

C



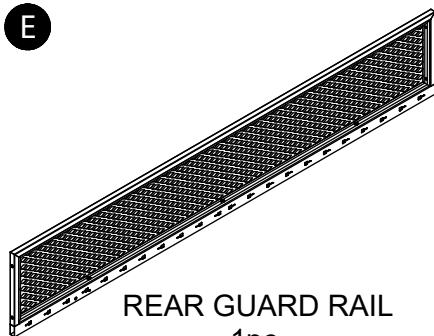
POST  
1pc.

D



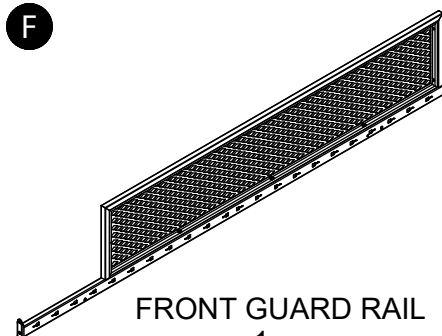
POST  
1pc.

E



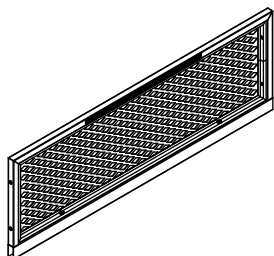
REAR GUARD RAIL  
1pc.

F



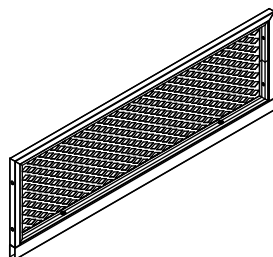
FRONT GUARD RAIL  
1pc.

I



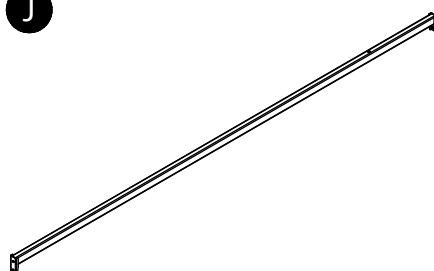
END GUARD RAIL  
1pc.

II



END GUARD RAIL  
1pc.

J



LOWER BACK BRACE  
1pc.

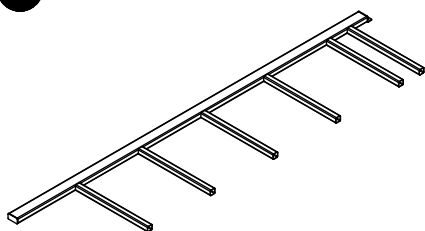
# BUNK BED



- Please keep instructions for future reference.
- Check the quantity and irregularity of parts and hardware before you start.

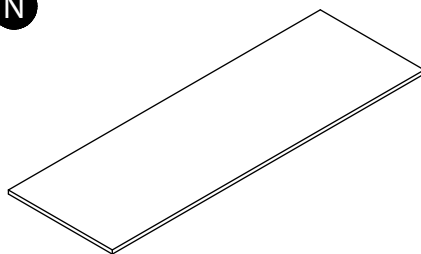
## PARTS

Z



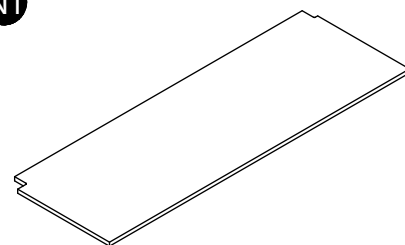
LADDER  
1pc.

N



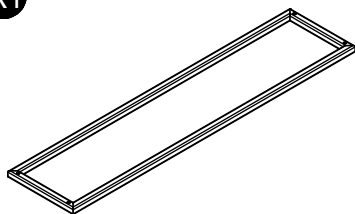
DESK  
1pc.

N1



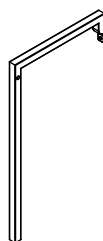
DESK  
1pc.

X1



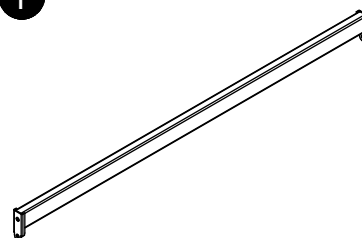
DESKTOP SUPPORT FRAME  
1pc.

L



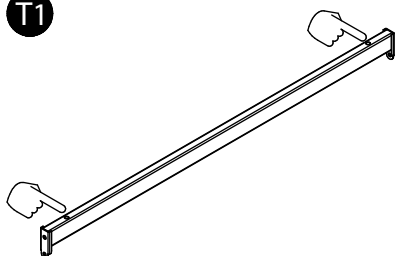
DESKTOP SUPPORT FRAME  
1pc.

T



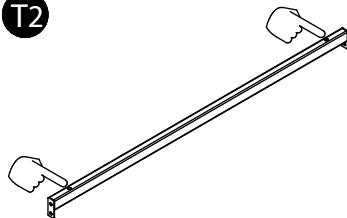
LOWER SIDE RAIL  
1pc.

T1



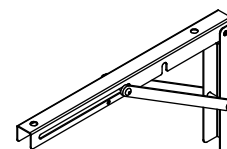
LOWER SIDE RAIL  
1pc.

T2



DESKTOP SUPPORT TUBE  
1pc.

K



MECHANISM  
2pcs.

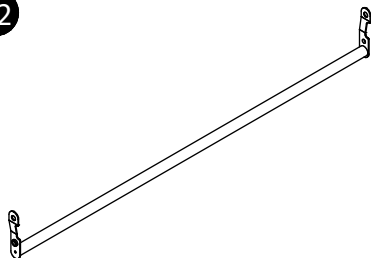
# BUNK BED



- Please keep instructions for future reference.
- Check the quantity and irregularity of parts and hardware before you start.

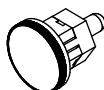
## PARTS

E2



CLOSET ROD  
1pc.

E1



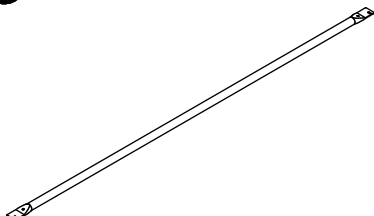
PLASTIC SPRING BOLT  
2pcs.

Y



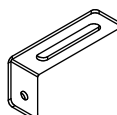
PLASTIC PLUG  
44pcs.

O



SLATS  
22pcs.

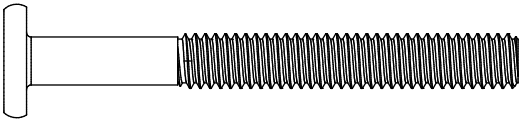
F3



WALL BRACKET  
2pcs.

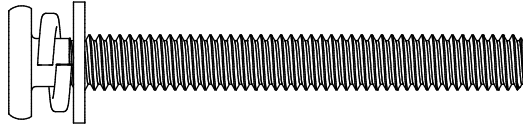
# HARDWARE

1



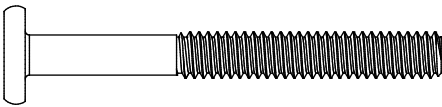
5/16" X 65mm  
4pcs.

2



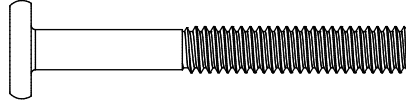
5/16" X 65mm  
1pc.

3



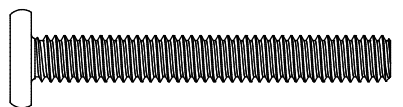
1/4" X 55mm  
3pcs.

4



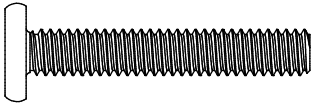
1/4" X 50mm(White)  
14pcs.

5



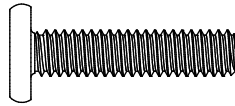
1/4" X 47mm  
2pcs.

6



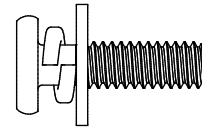
1/4" X 37mm  
2pcs.

7



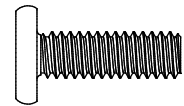
1/4" X 27mm  
4pcs.

8



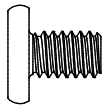
1/4" X 22mm  
3pc.

9



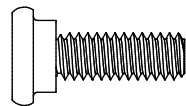
1/4" X 19mm  
20pcs.

10



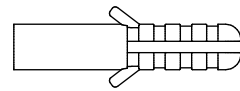
1/4" X 9mm  
4pcs.

11



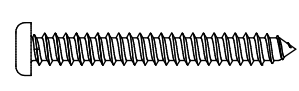
1/4" X 20mm  
2pcs.

12



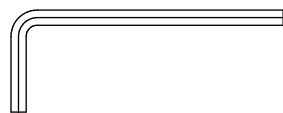
6mm X 30mm  
2pcs.

13



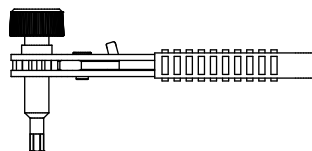
ST4.2 X 35mm  
2pcs.

14



1pc.

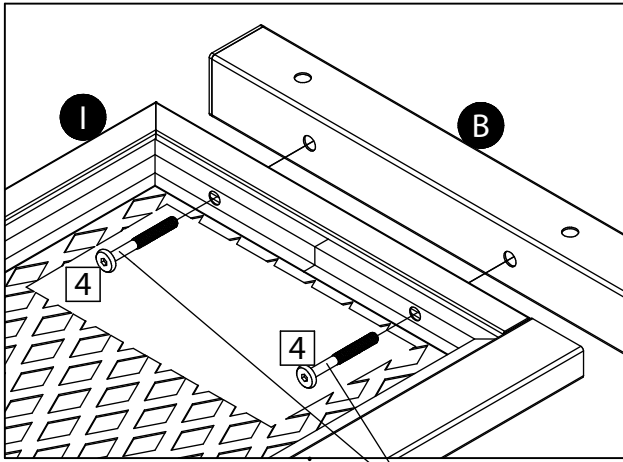
15



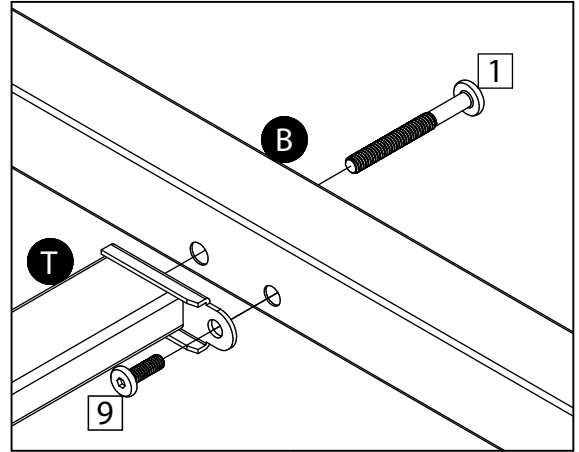
1pc.

# ASSEMBLY INSTRUCTIONS

1



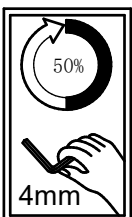
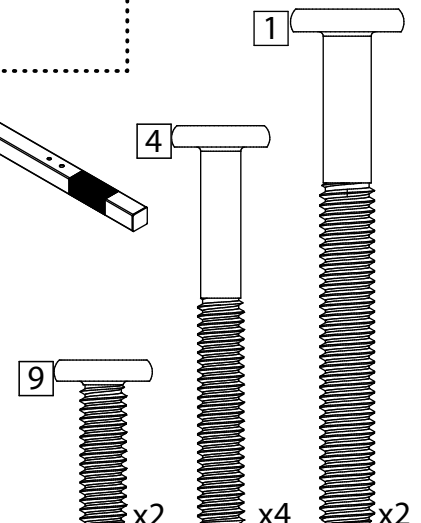
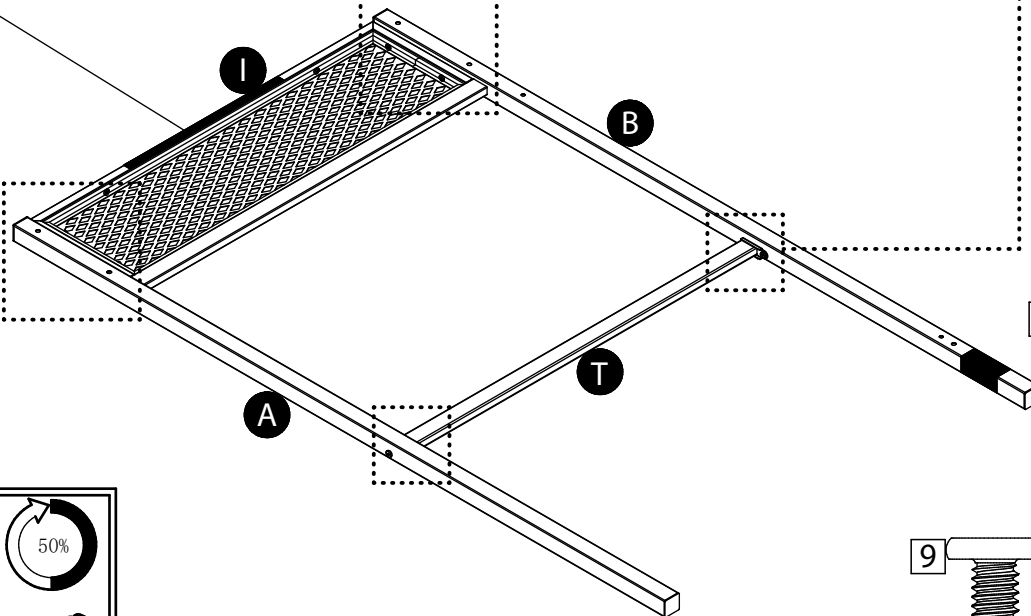
1.1



1.2

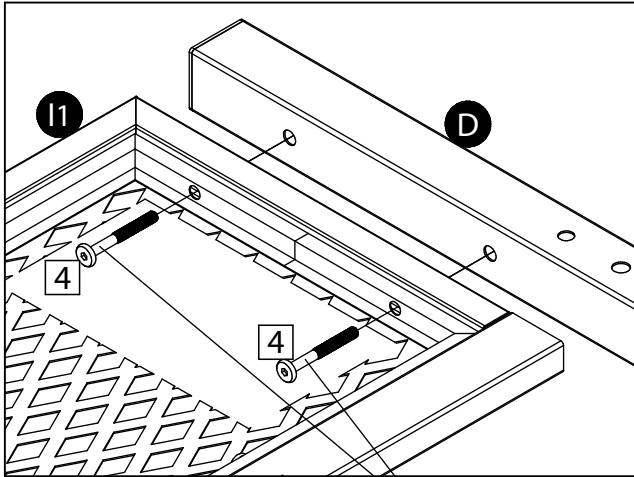
**⚠** Please release the screw by 50% before assembling with the post and tightened all bolts 100% after finishing the assembling of the whole bed.

**⚠** For your safety, the warning must be located on the inside and upside of the bed.

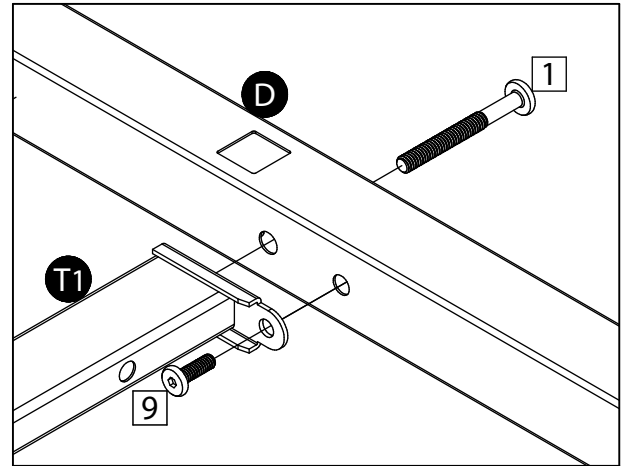


# ASSEMBLY INSTRUCTIONS


## 2

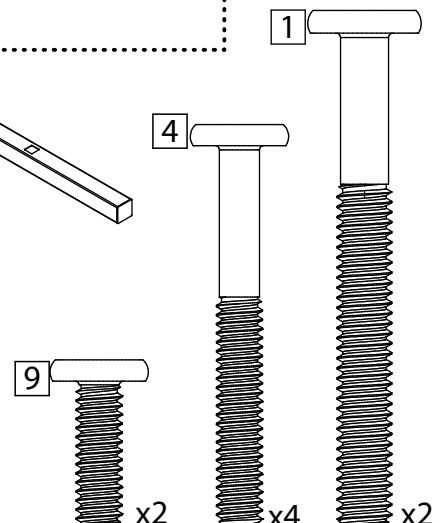
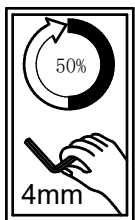
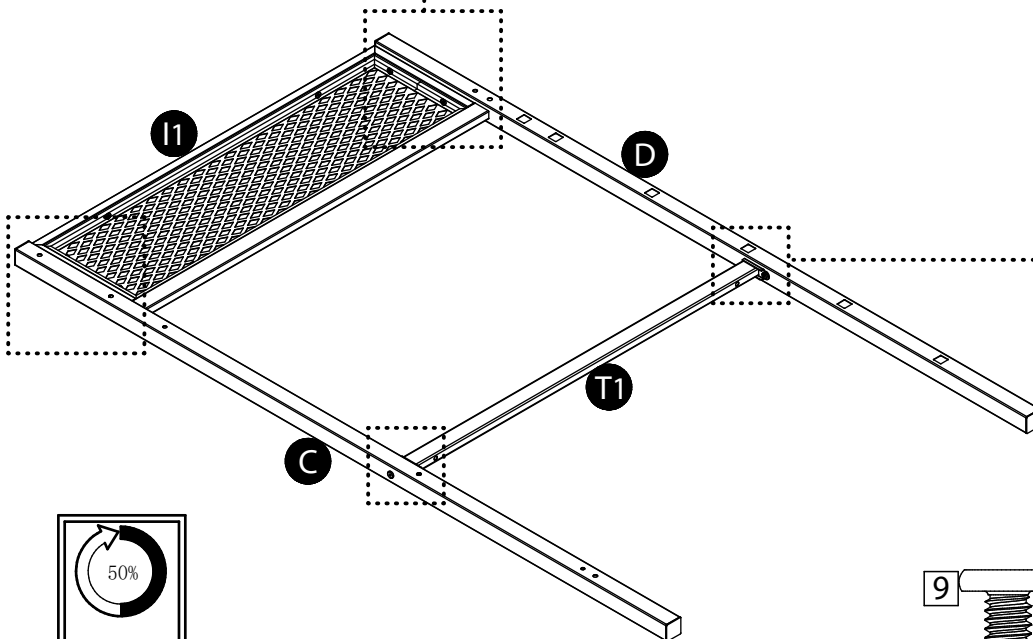


2.1



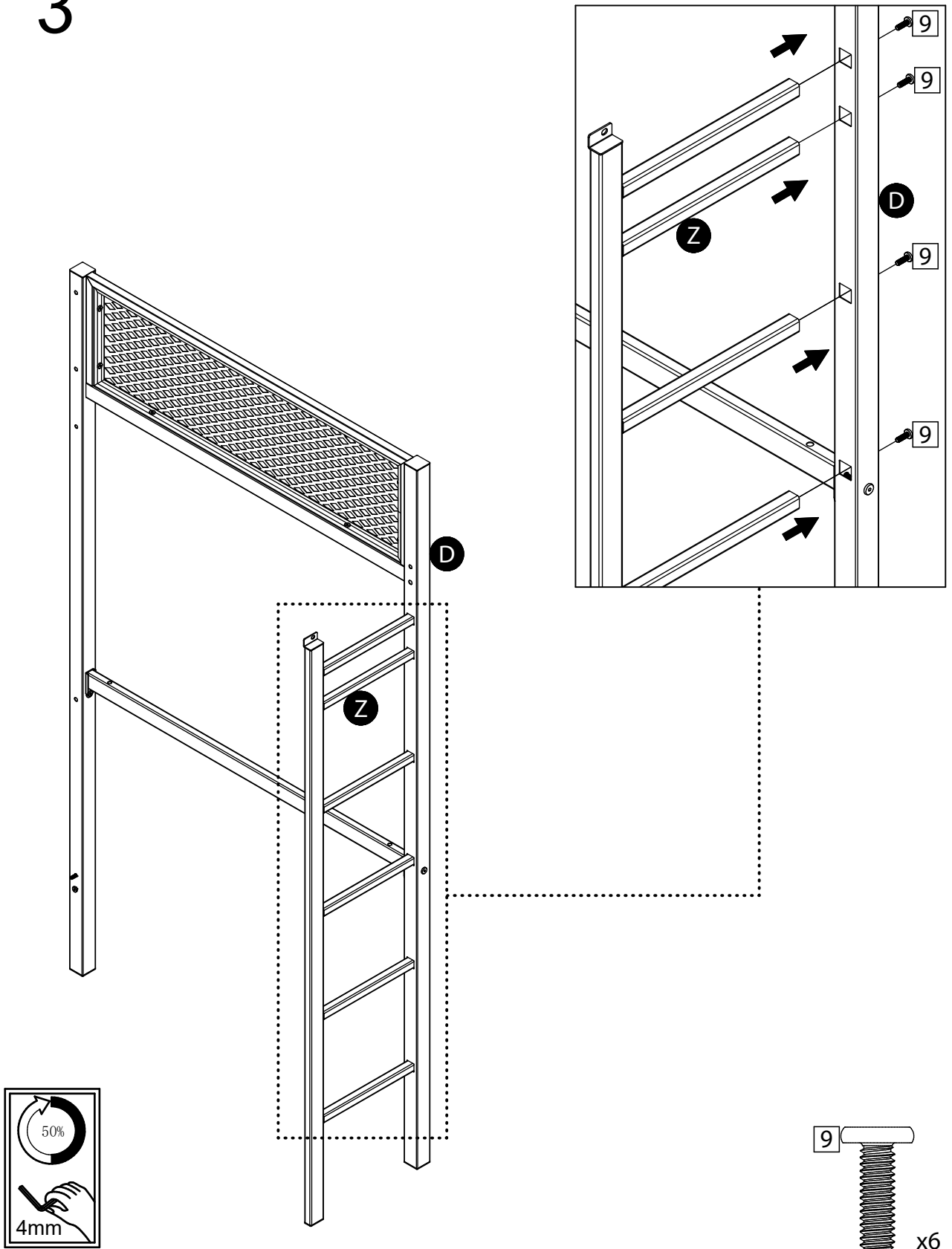
2.2

 Please release the screw by 50% before assembling with the post and tightened all bolts 100% after finishing the assembling of the whole bed.



# ASSEMBLY INSTRUCTIONS

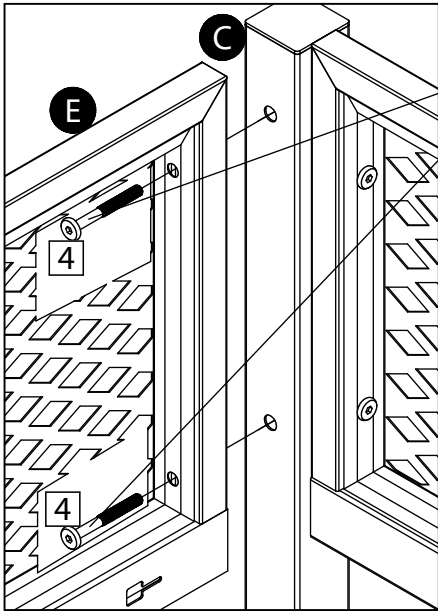
## 3



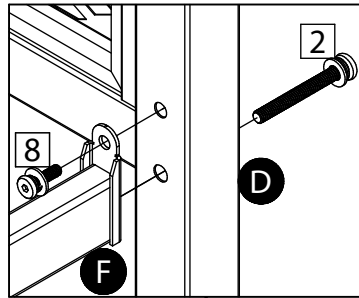
# ASSEMBLY INSTRUCTIONS

## 4

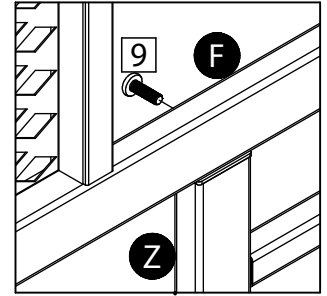
**⚠** Please release the screw by 50% before assembling with the post and tightened all bolts 100% after finishing the assembling of the whole bed.



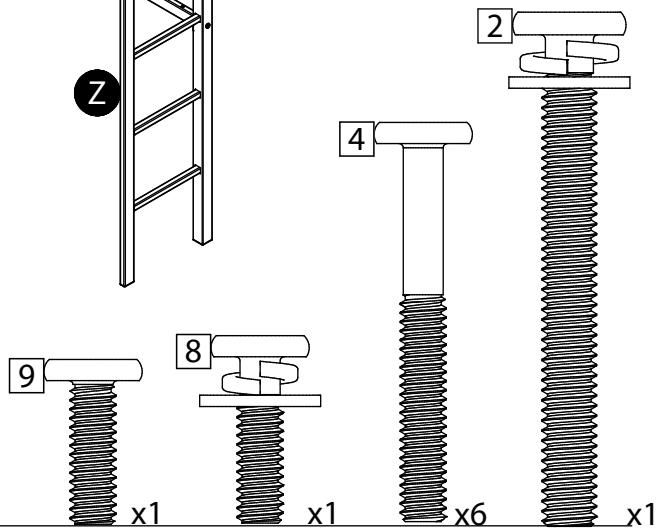
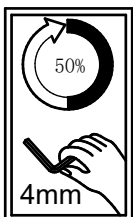
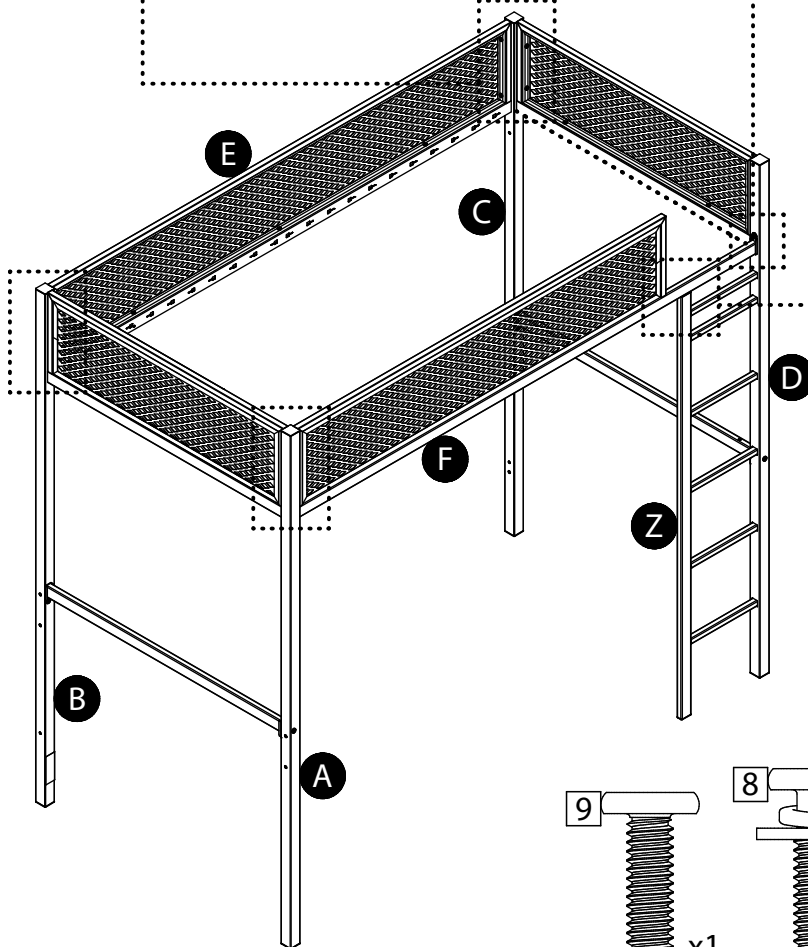
4.1



4.2

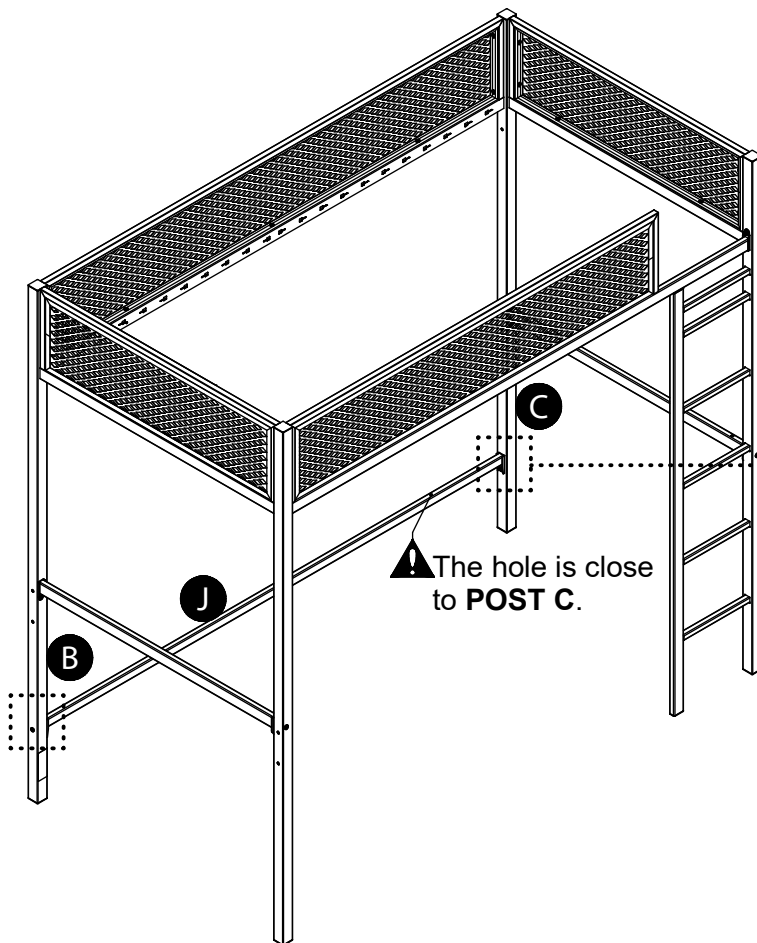
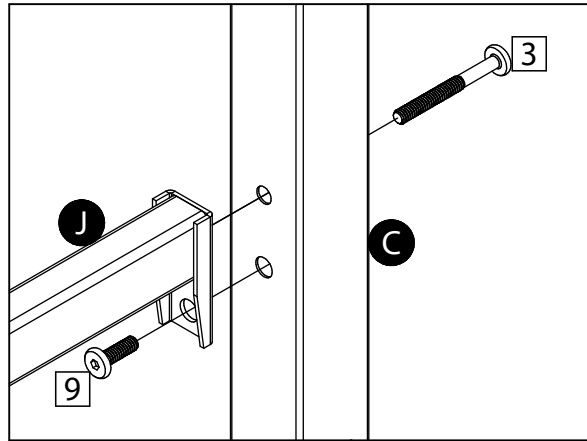


4.3

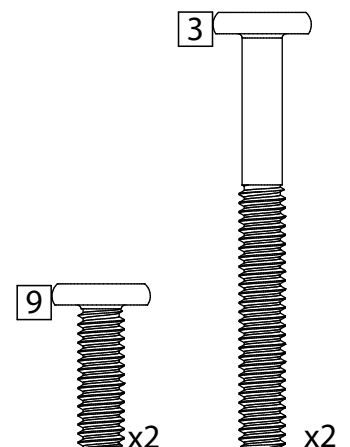
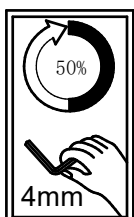


# ASSEMBLY INSTRUCTIONS

## 5

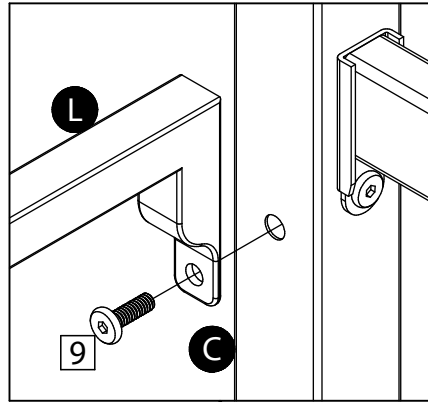


⚠ The hole is close to POST C.

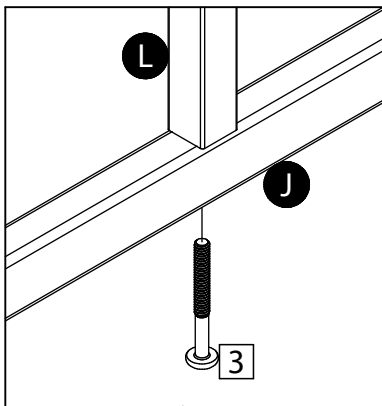


# ASSEMBLY INSTRUCTIONS

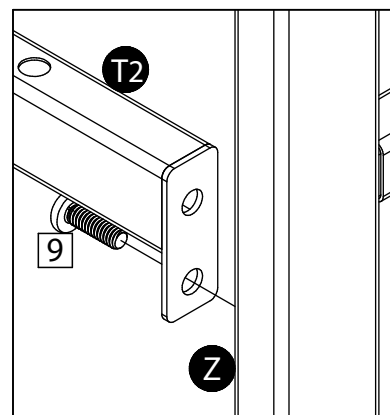
## 6



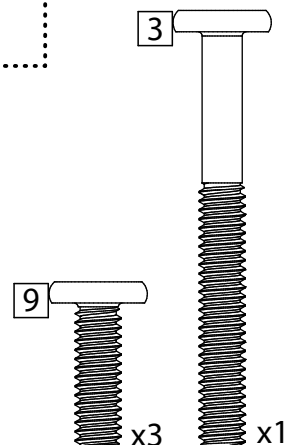
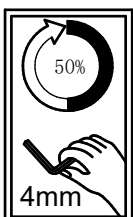
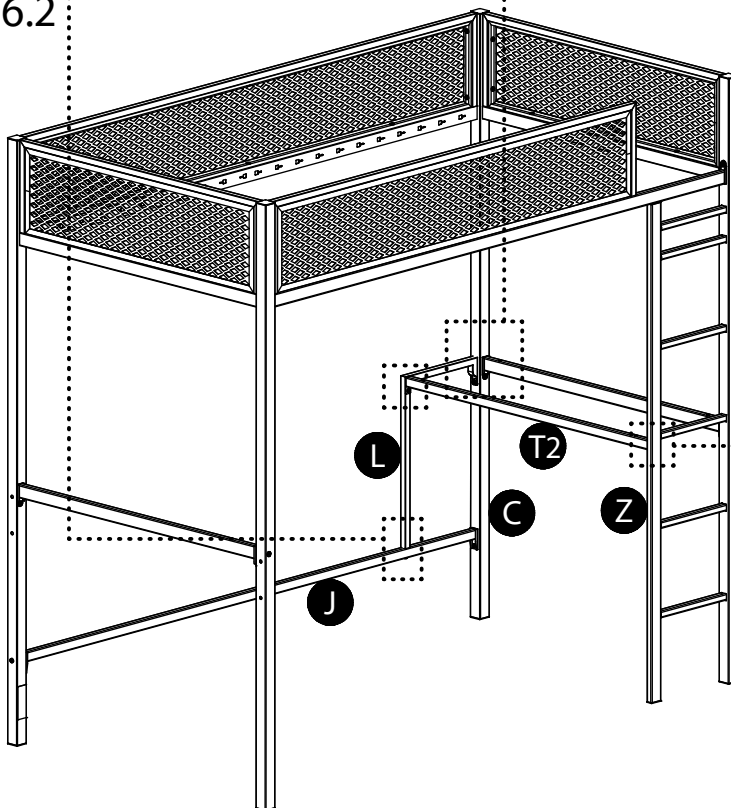
6.1



6.2

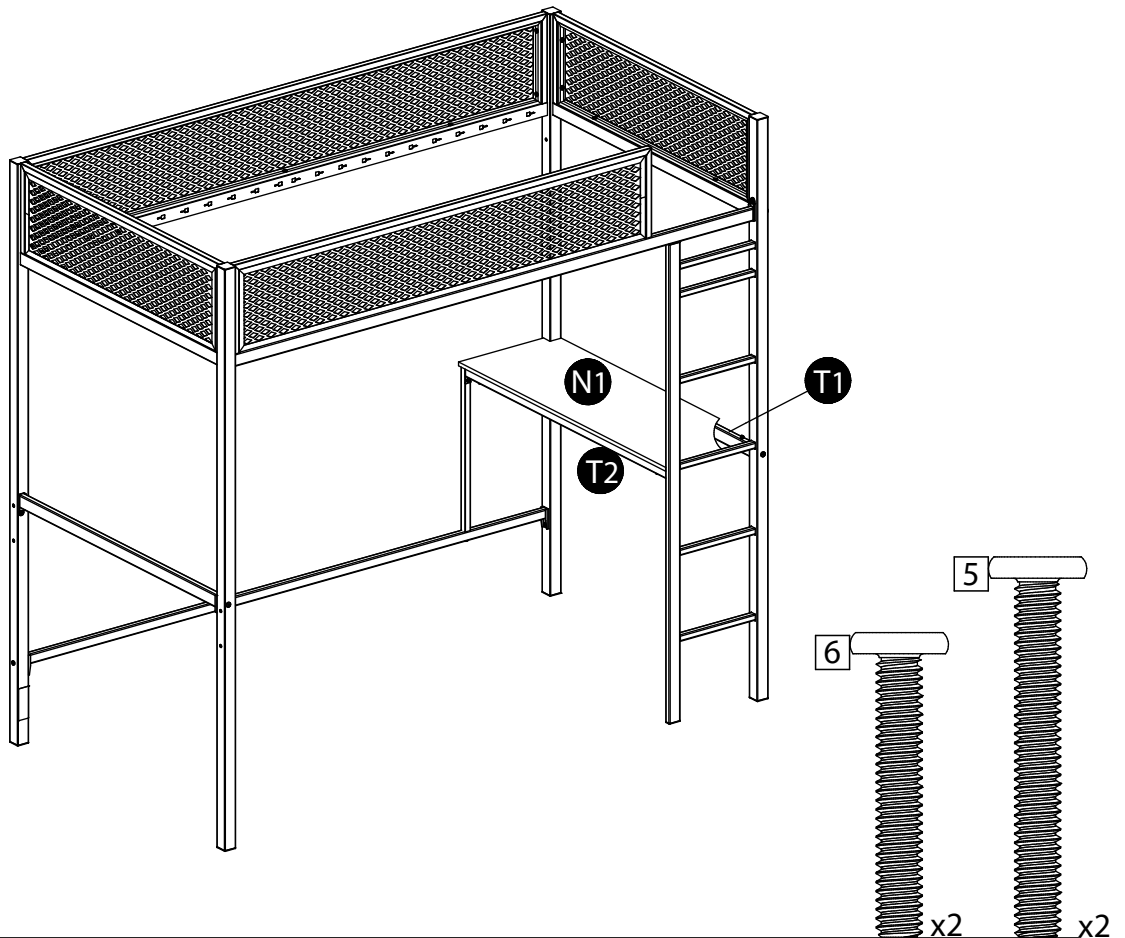
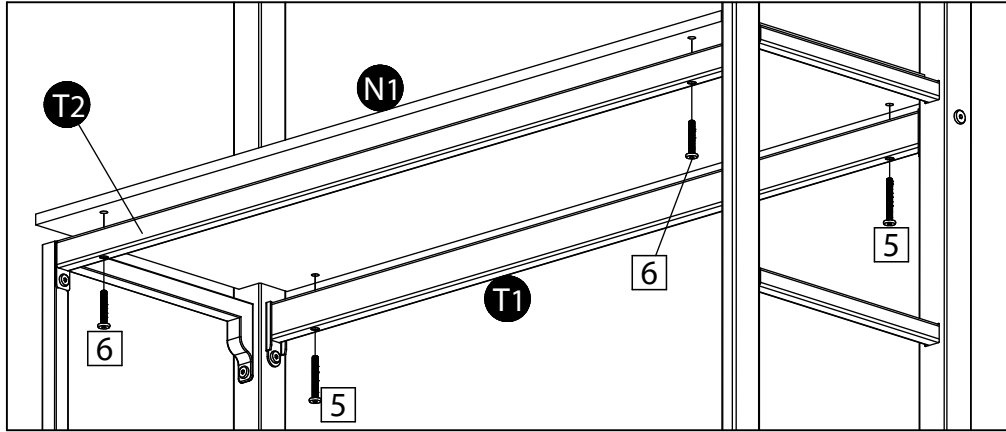


6.3



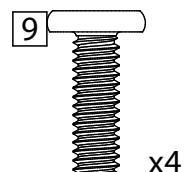
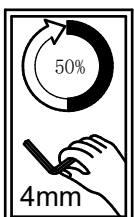
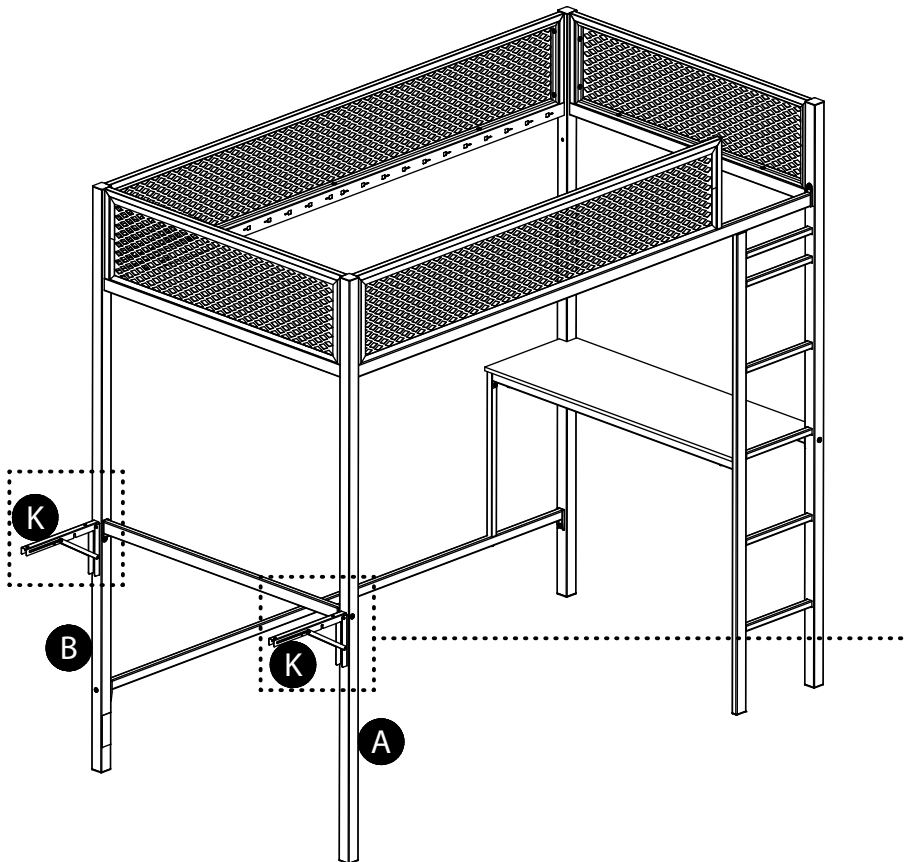
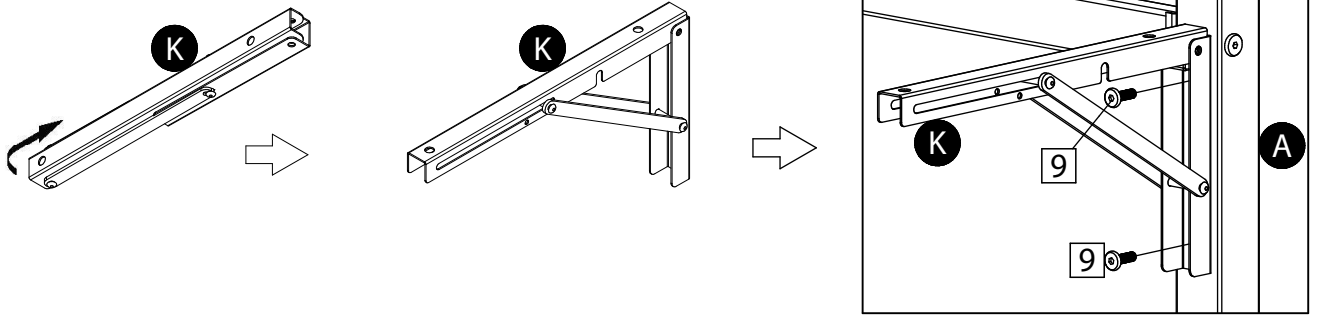
# ASSEMBLY INSTRUCTIONS

7



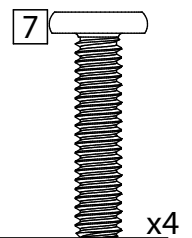
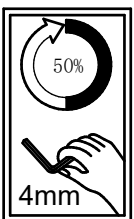
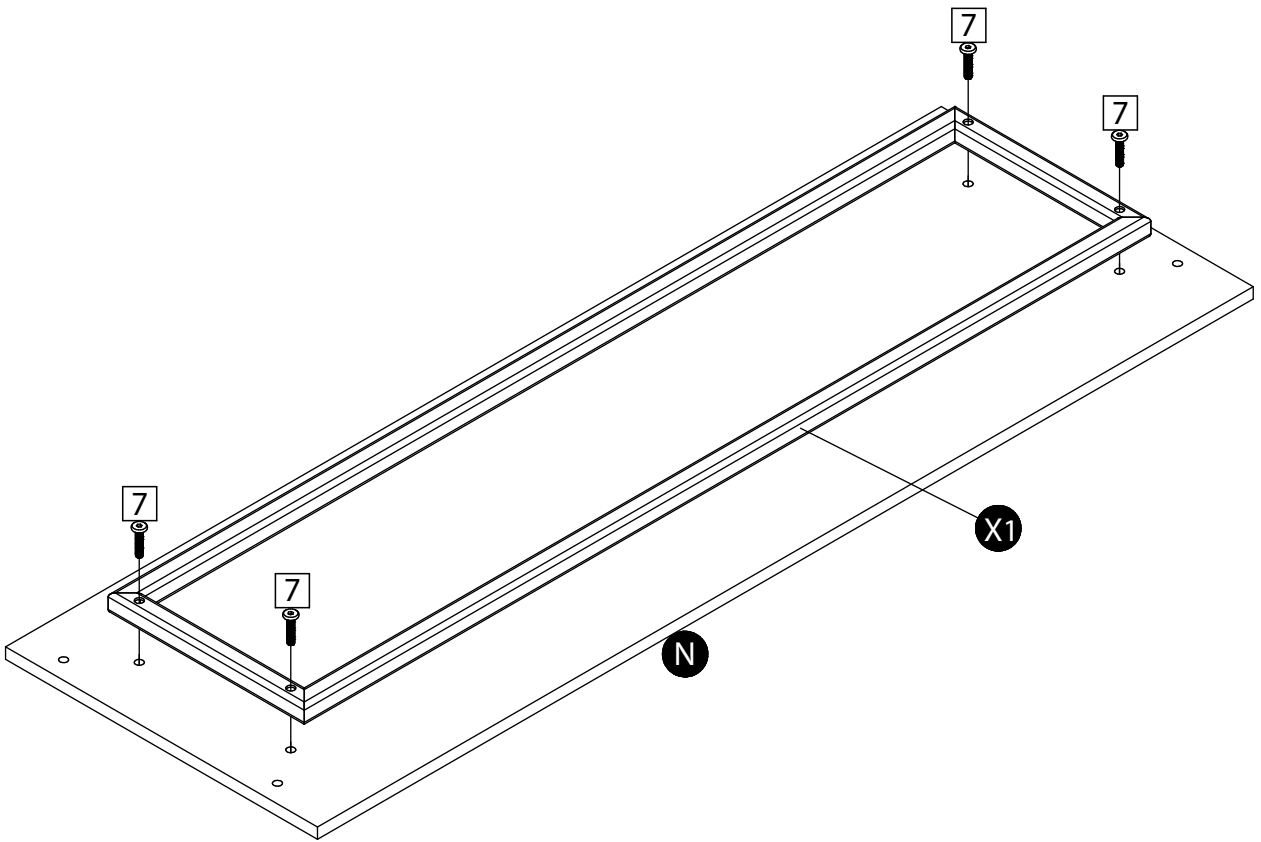
# ASSEMBLY INSTRUCTIONS

8



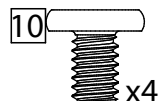
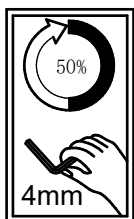
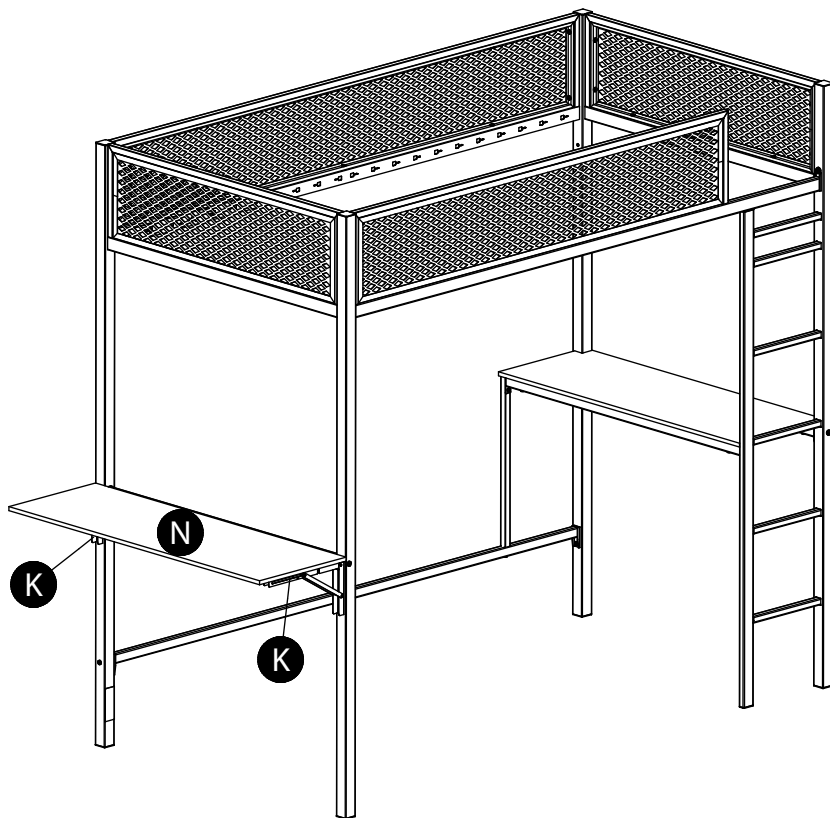
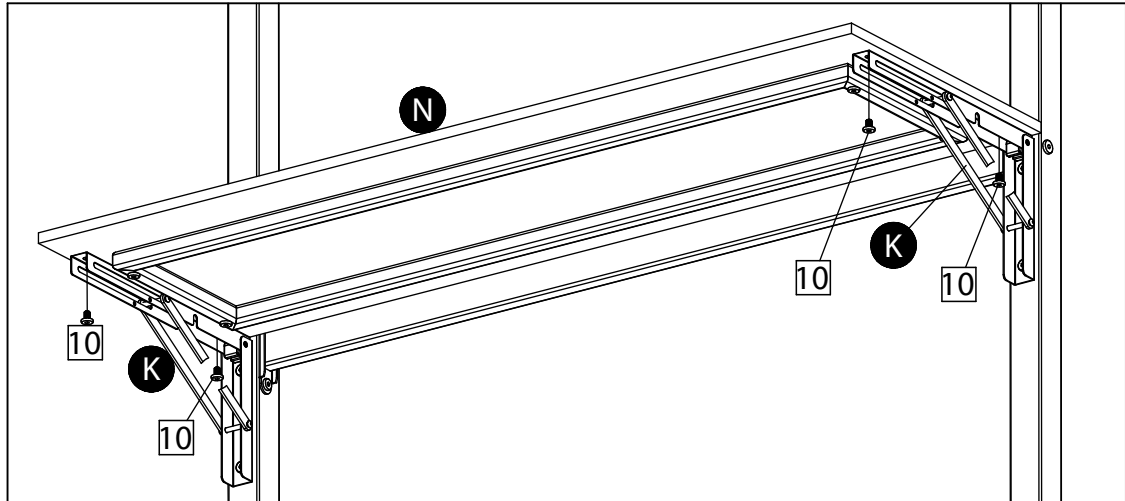
# ASSEMBLY INSTRUCTIONS

9



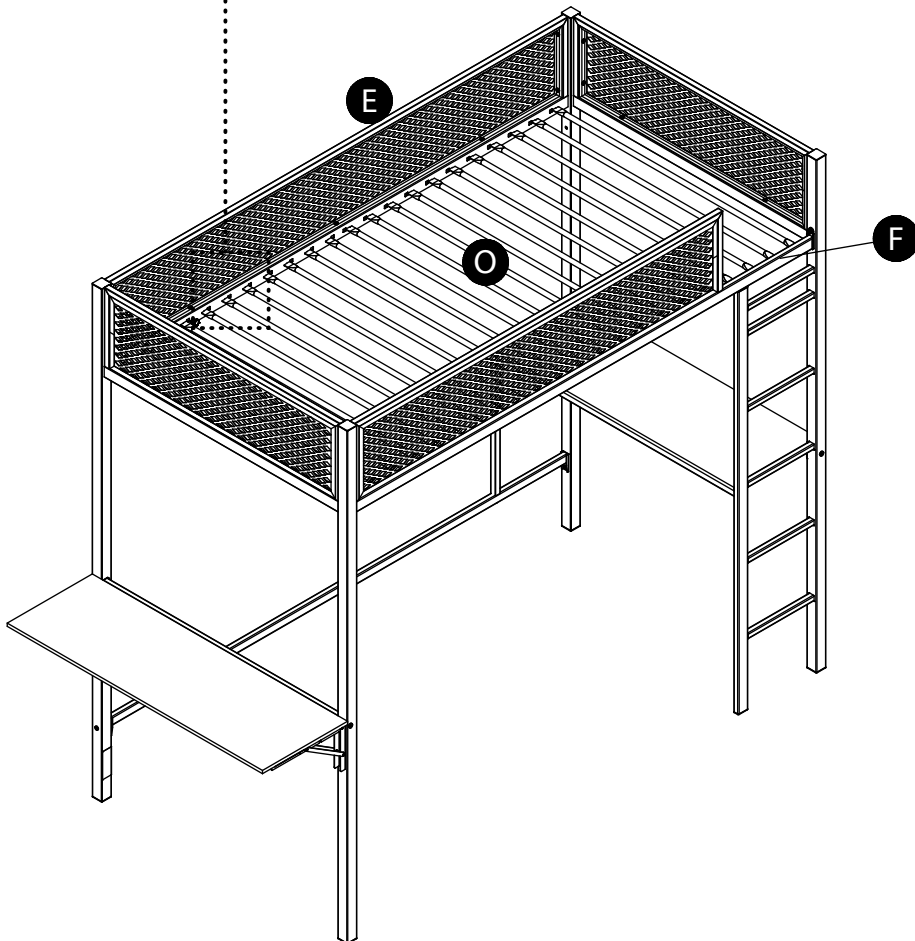
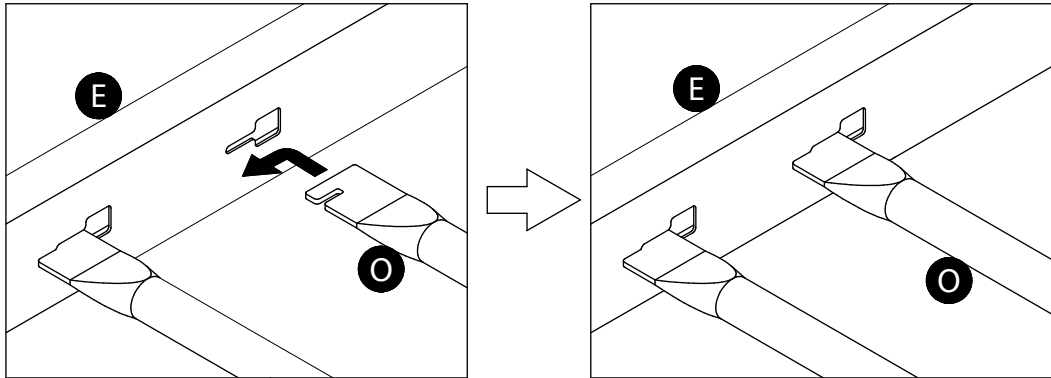
# ASSEMBLY INSTRUCTIONS

## 10



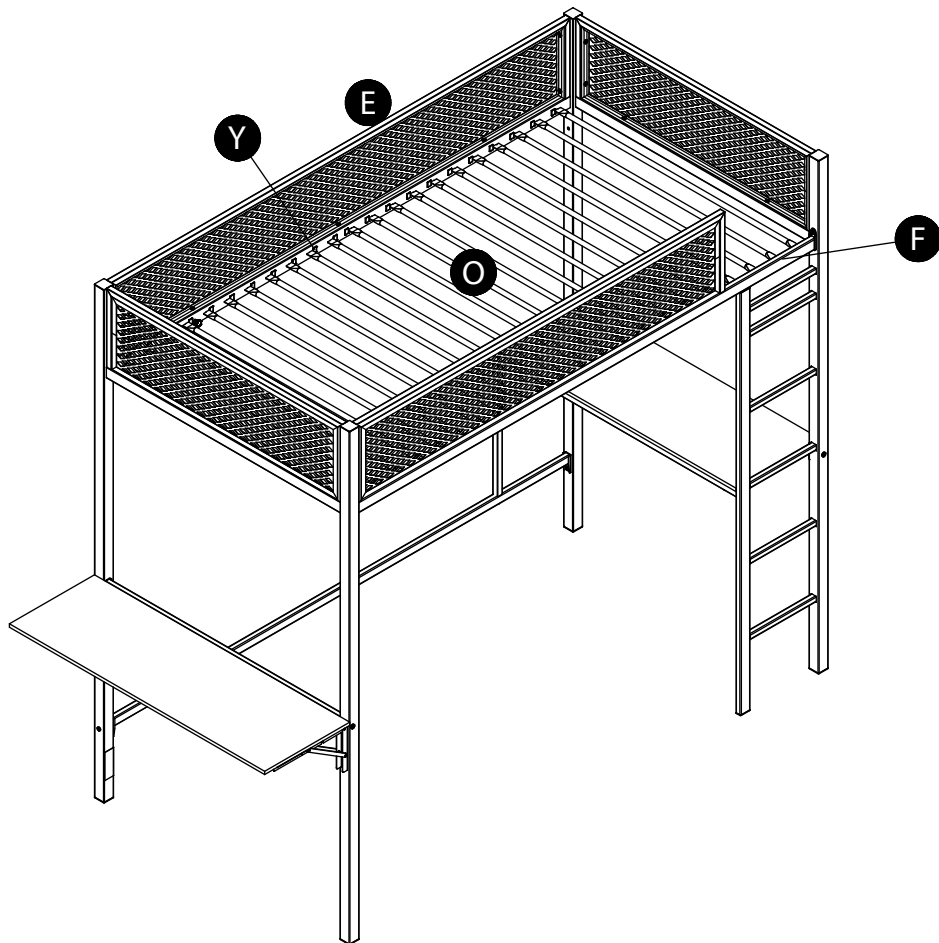
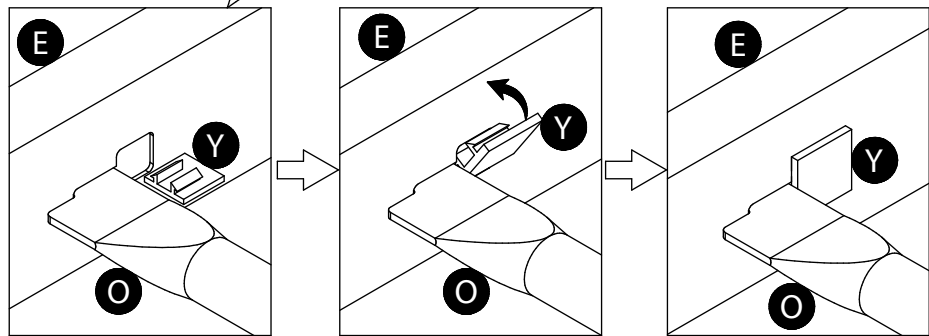
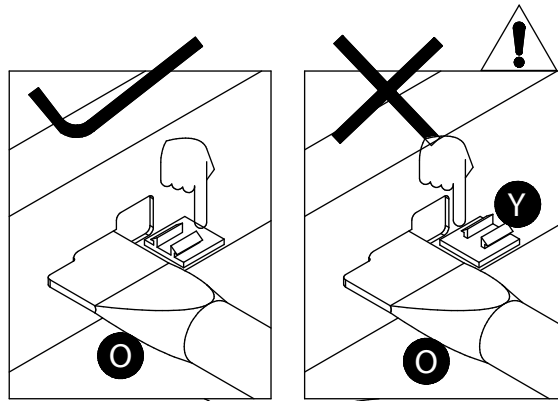
# ASSEMBLY INSTRUCTIONS

11



# ASSEMBLY INSTRUCTIONS

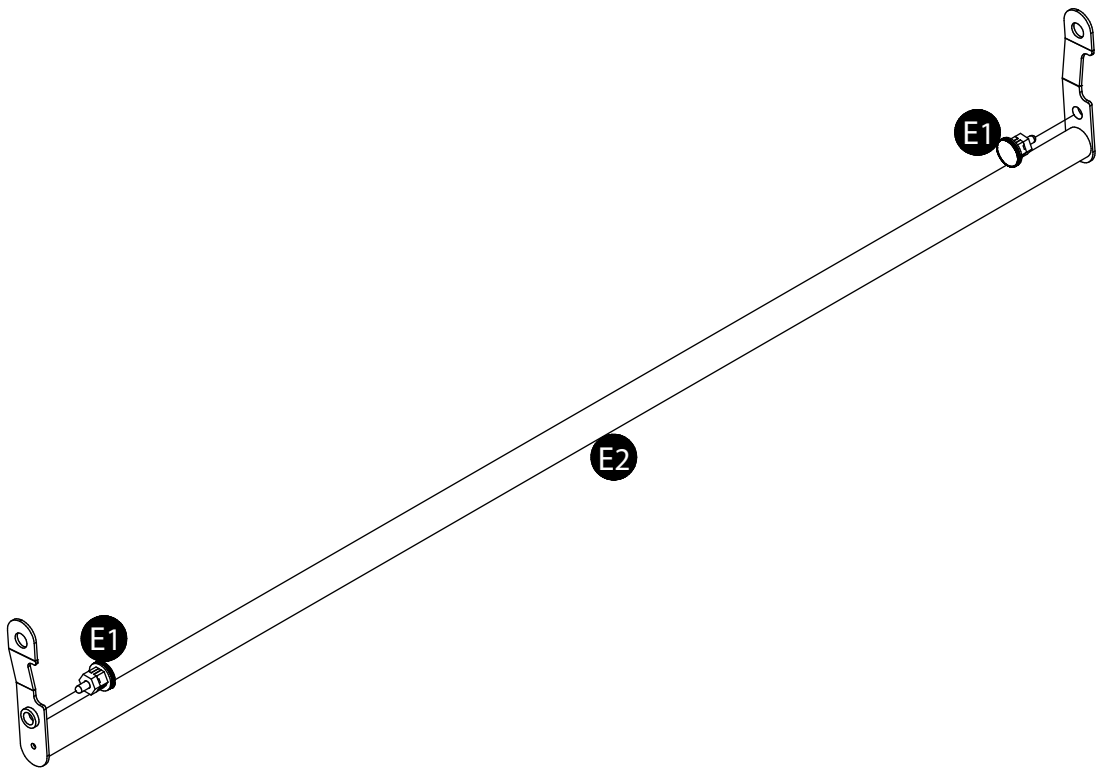
12



# ASSEMBLY INSTRUCTIONS

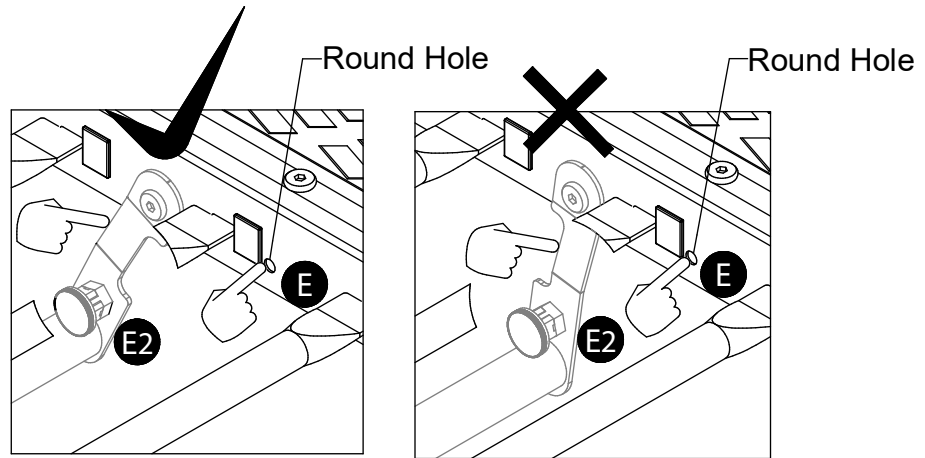
---

# 13

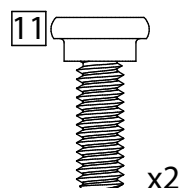
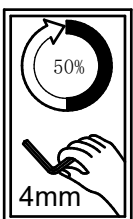
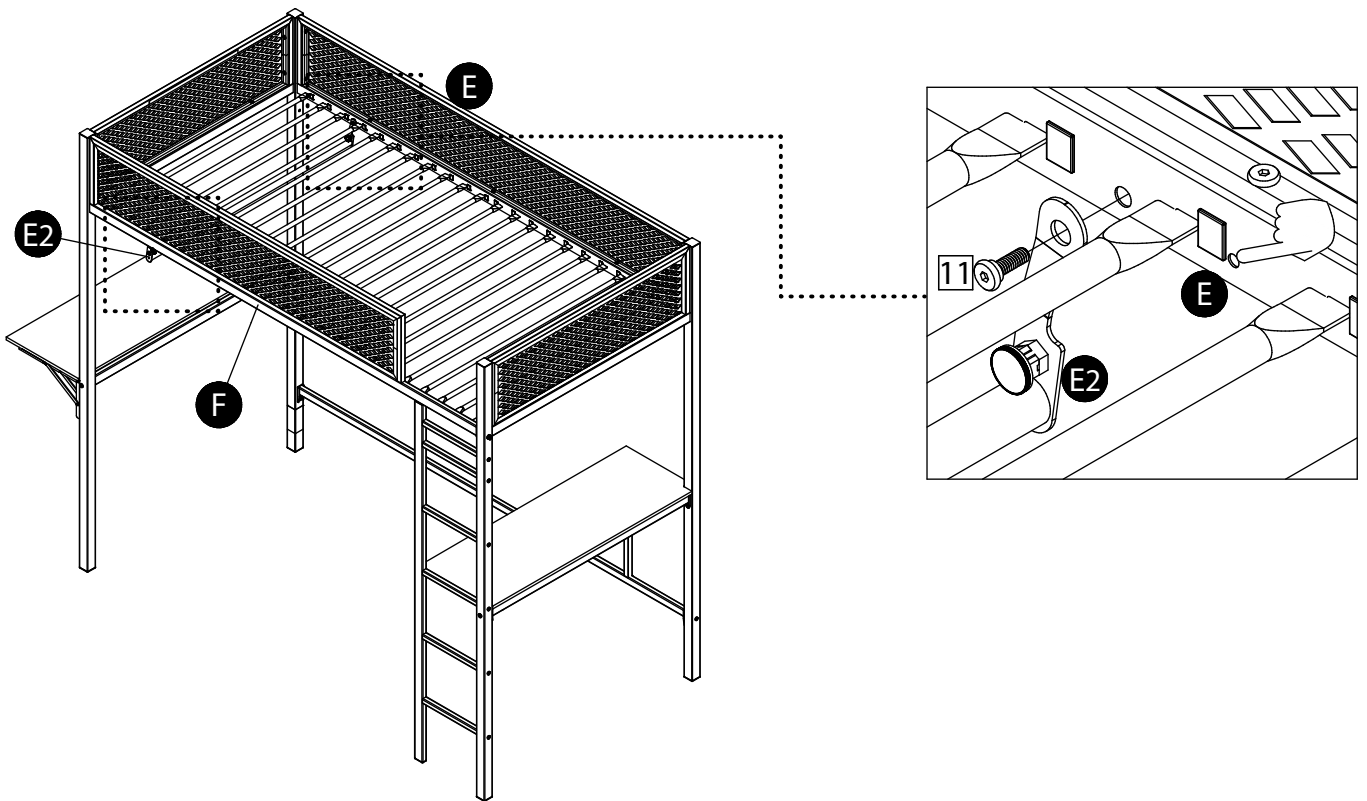


# ASSEMBLY INSTRUCTIONS

14



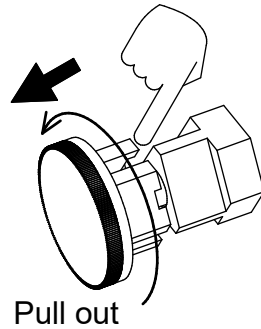
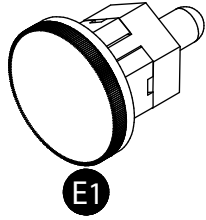
**⚠** The slot on E2 should be directed towards the round hole.



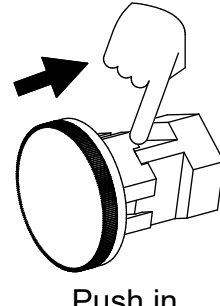
# ASSEMBLY INSTRUCTIONS

15

Unfold

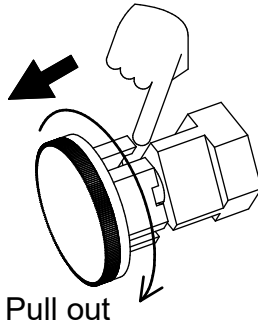
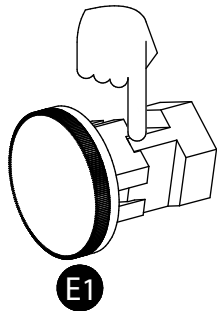


Pull out

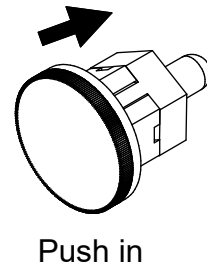


Push in

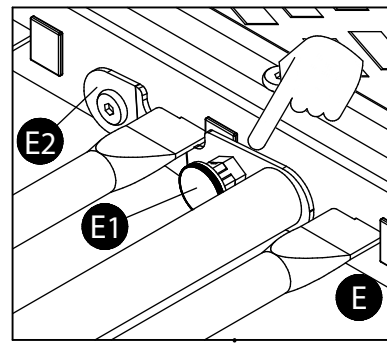
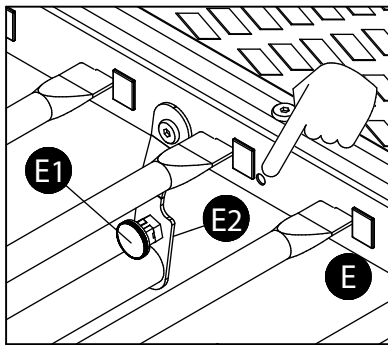
Fold



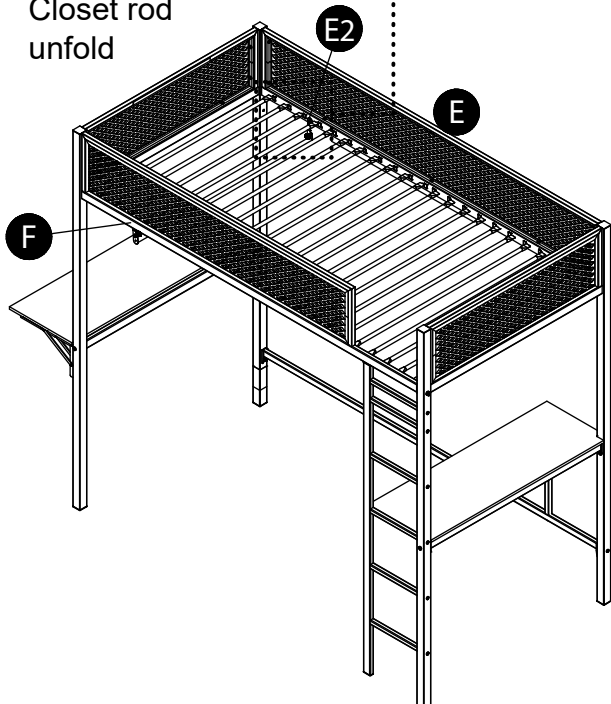
Pull out



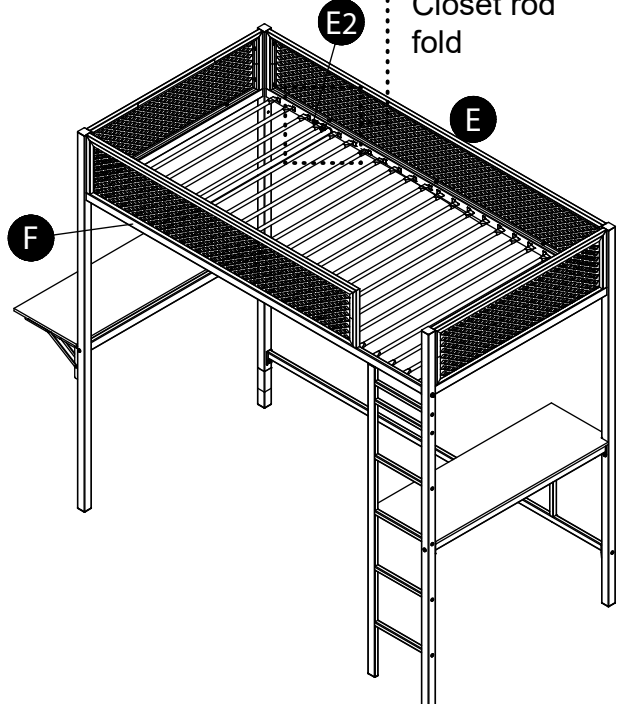
Push in



Closet rod  
unfold

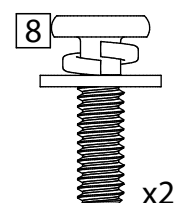
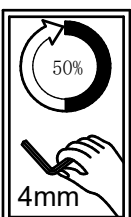
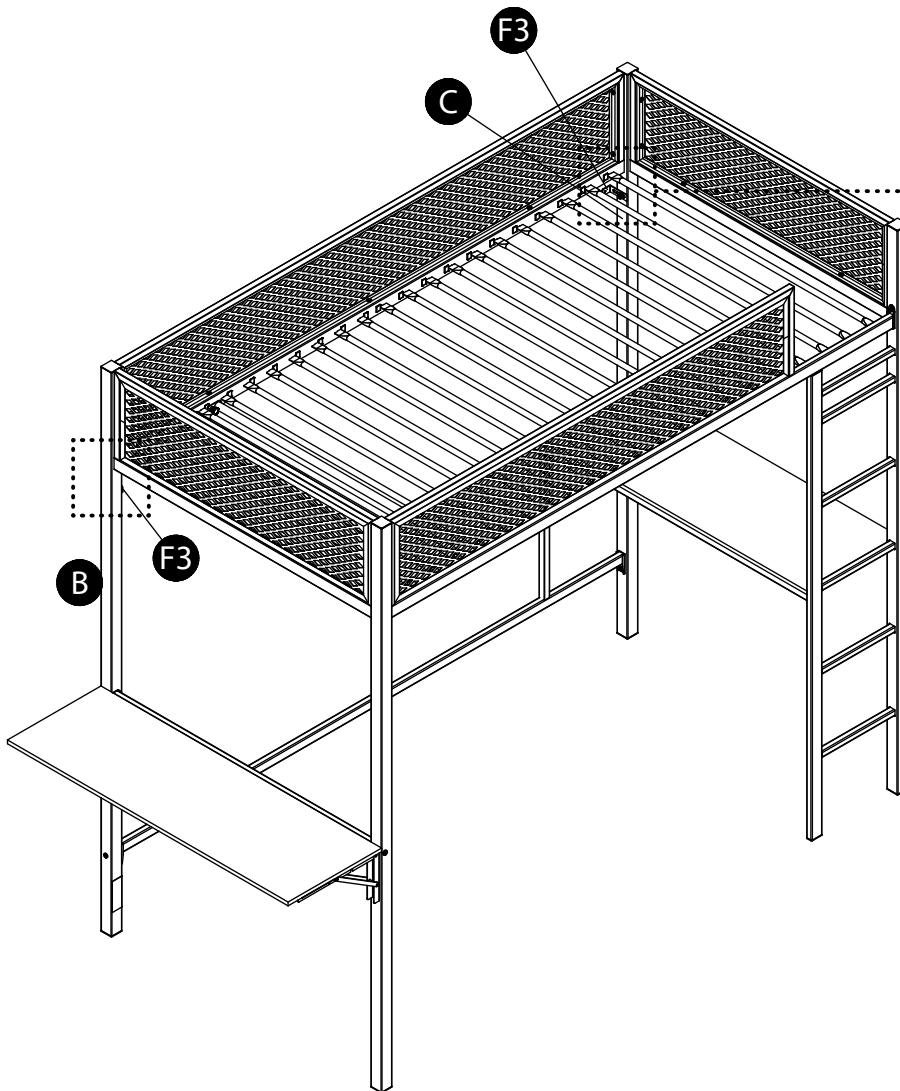
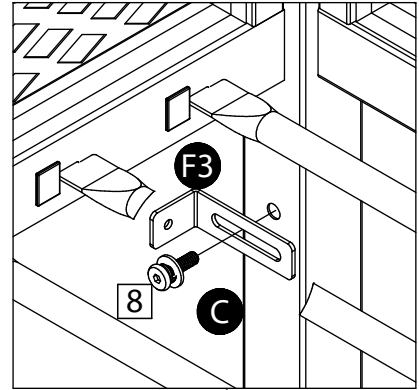


Closet rod  
fold



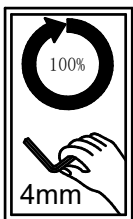
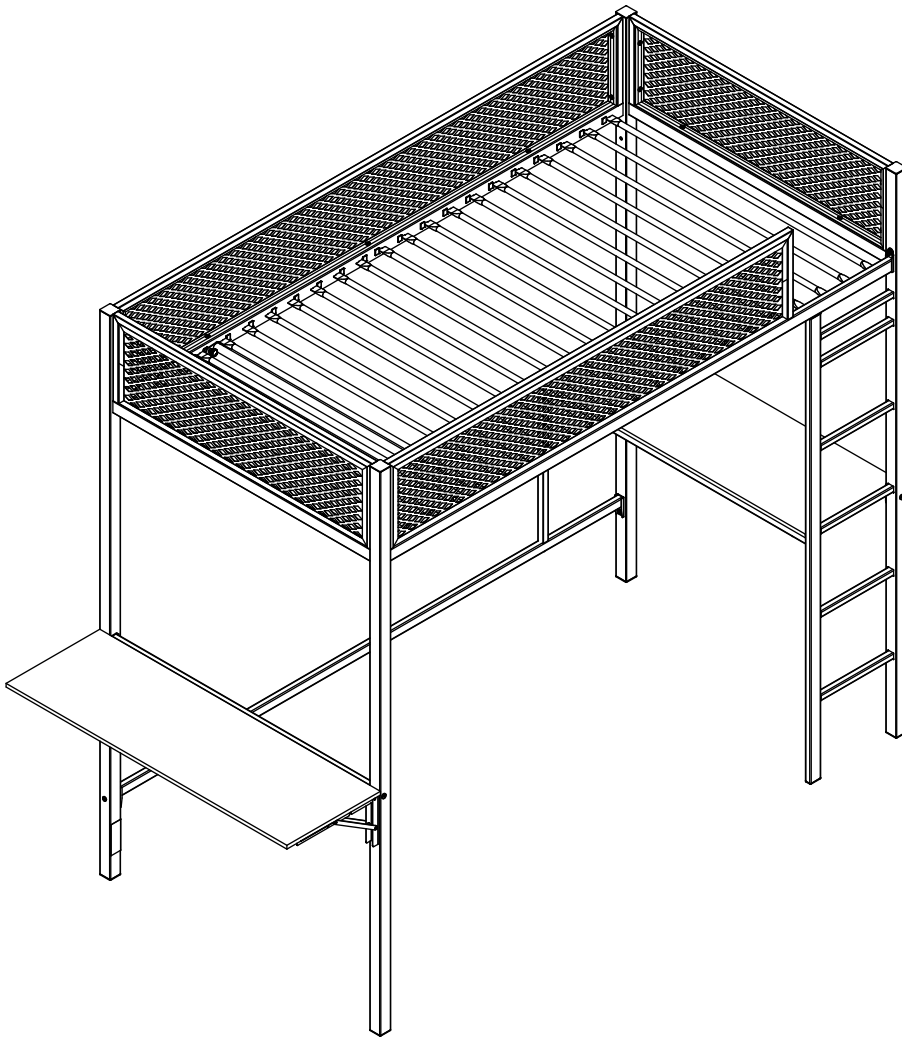
# ASSEMBLY INSTRUCTIONS

# 16



# ASSEMBLY INSTRUCTIONS

# 17



Tighten all bolts after assembly completed.

## ASSEMBLY COMPLETED



Please ensure the furniture tests on an even and flat surface. If the product wobbles or feels loose, double-check all bolts and or screws are properly tightened and secured.

### ✓ Keep this handy!

Please retain this instruction manual and any order-related information for future reference.

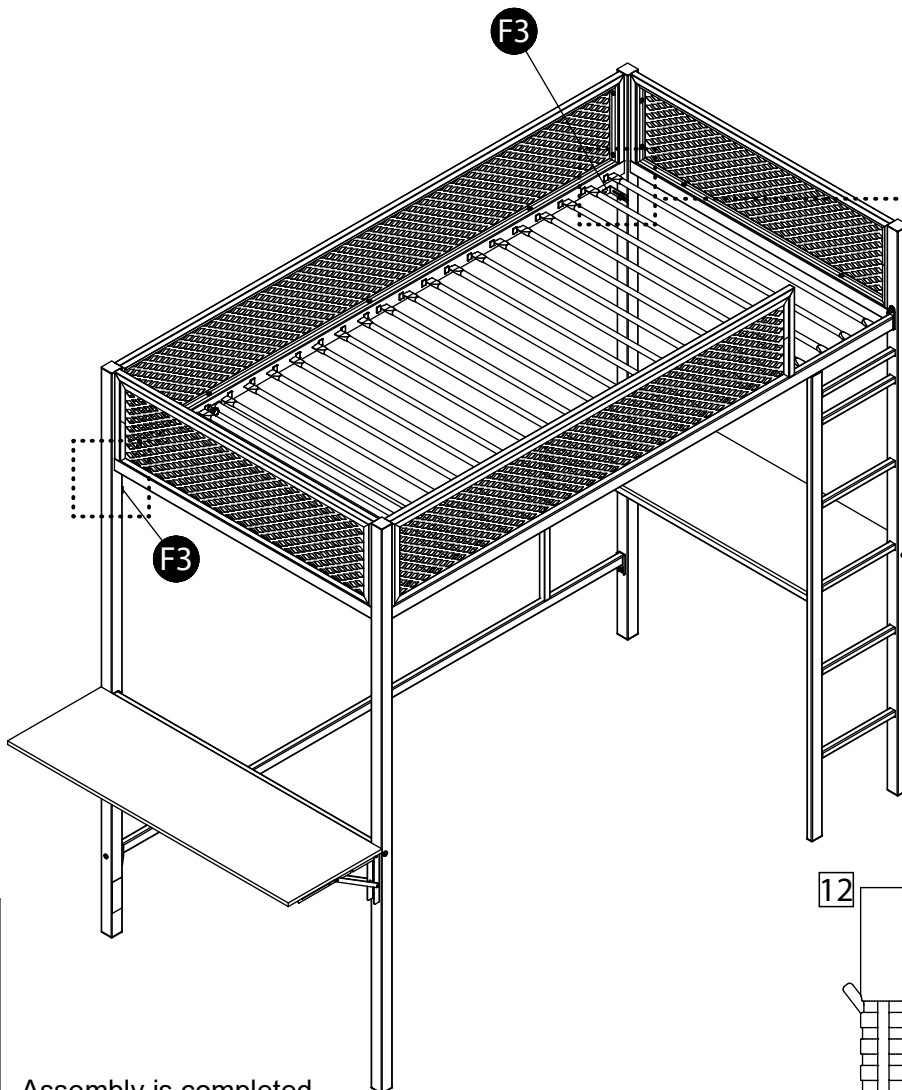
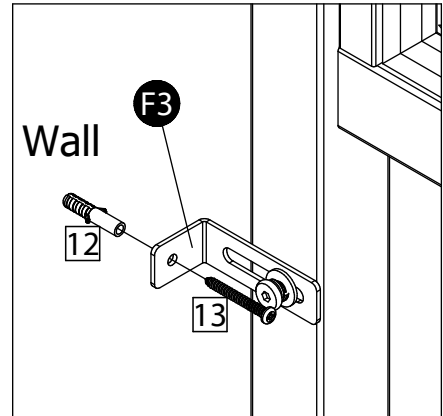
### ✓ Lift, don't drag!

To avoid damage to product please always LIFT the product when transporting or adjusting the placement.

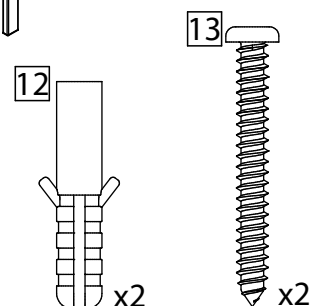
This product is intended for RESIDENTIAL USE ONLY and not for commercial use.

# ASSEMBLY INSTRUCTIONS

# 18



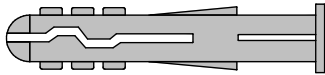
Assembly is completed.



# A GUIDE TO WALL MOUNTING & FIXINGS

## Important note:

If plastic wall plugs are supplied with your product:




- these are only suitable for use in masonry walls.
- If you are in any doubt about the correct wall plugs for your wall, seek professional advice.
- Failure of the product due to using incorrect fixings is the responsibility of the installer.



**Important: When drilling into walls always check that there are no hidden wires or pipes etc.**

Make sure that the screws and wall plugs being used are suitable for supporting your unit. Consult a qualified tradesperson if you are unsure.

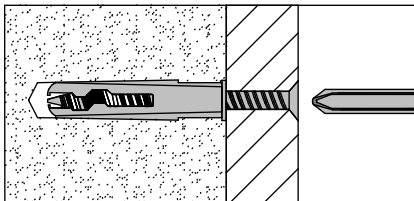
## Hints:

1. General rule:  Always use a large screw and wall plug if you are not sure.
2. Ensure you use the recommended drill bit to match the wall plug and hole size.
3. Ensure you drill the hole horizontally, do not force the drill or enlarge the hole.
4. Take extra care when drilling high walls, ceilings and ceramic tiles. Ensure wall plugs are inserted beyond the thickness of the ceramic tiles to avoid the tiles splitting or cracking.
5. Ensure wall plugs are well fitted and are a tight fit in the drill hole.

## Types of walls

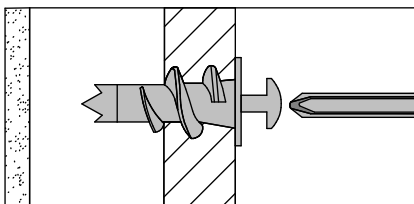
You can use one of the following types of wall plug if your walls are made of brick, breeze block, concrete, stone or wood.

### No.1 "General Purpose" wall plug



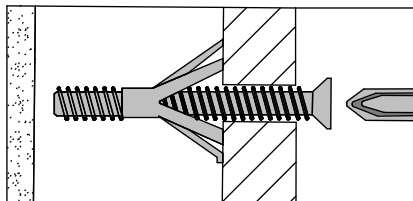
Generally aerated blocks should not be used to support heavy loads, use a specialist fitting in this case. For light loads, general purpose wall plugs can be used.

### No.2 "Plasterboard" wall plug



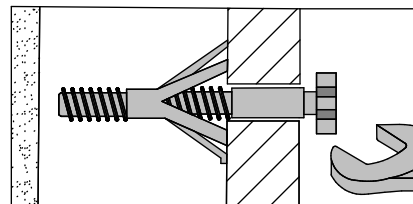
For use when attaching light loads on to plasterboard partitions.

### No.3 "Cavity Fixing" wall plug



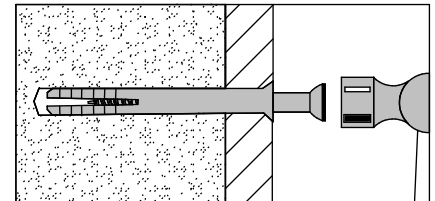
For use with plasterboard partitions or hollow wooden doors.

### No.4 "Cavity Fixing-Heavy Duty" wall plug



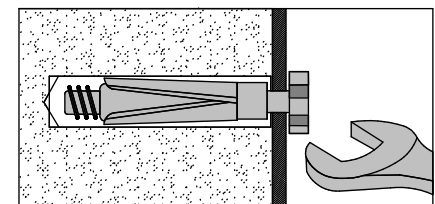
For use when fitting or supporting heavy loads such as shelving, wall cabinets and coat racks.

### No.5 "Hammer Fixing" wall plug



For use with walls stuck with plasterboard. The hammer fixing allows it to be fixed to the wall rather than the plasterboard. Always check the fixing is secure to the retaining wall.

### No.6 "Shield Anchor" wall plug Heavy load



For use with heavier loads such as TV & HiFi speakers and satellite dishes etc.



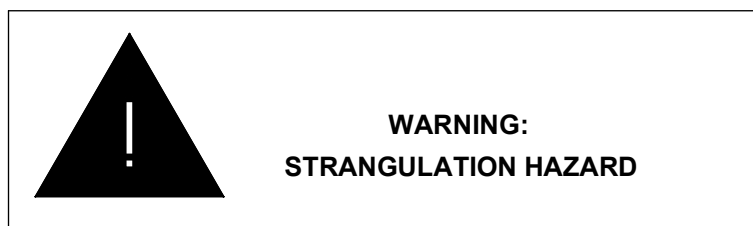
## Care & Maintenance

**Safety: Always check the fitting and location to ensure your safety in and around the home.**

**Fitting: From time to time check the fitting to ensure the wall plugs or screws do not become loose.**

## Safety Warnings for Bunk Beds

1. Read and follow the information on the WARNING labels shown on the end structure of the upper bunk and on the carton.
2. Do not remove warning labels from the bed.
3. Keep these instructions for future use.
4. **IMPORTANT:** The proper sizes for the UPPER TWIN-SIZE mattress should be 74"-75" long and 38"-38 1/2" wide with no more than 6" thickness and for the LOWER TWIN-SIZE should be 74"-75" long and 38"-38 1/2" wide with mattress thickness at least 8" and does not exceed 11".
5. Surface of mattress must be at least 5 inches (127 mm) BELOW the upper edge of the guardrails.
6. The **MAXIMUM** weight capacity for the upper bunk is not to exceed 175 lbs.
7. Do not allow children under 6 years of age to use the upper bunk.
8. Periodically check and ensure that the guardrails, ladder, handle and other components are in their proper position, free from damage, and that all connectors are tightened and secured.
9. **DO NOT** allow horseplay, rough playing, or jumping on the beds and do not allow playing or hiding under the beds.
10. Always use the ladder for entering or leaving the upper bunk.
11. Do not use substitute parts. Contact the manufacturer or dealer for replacement parts.
12. Use of a nightlight may provide added safety precaution for a person using the upper bunk.
13. Always use the guardrails on both sides of the upper bunk.
14. If the bunk bed will be placed next to a wall, the guardrail that runs the full length of the bed should be placed against the wall to prevent entrapment between the bed and the wall.
15. The use of water or sleep flotation mattresses is prohibited.
16. No more than one person is allowed on the upper bunk at all times.
17. Always use the recommended size mattresses or mattress supports, or both, to help prevent the likelihood of entrapment or falls.



Objects such as, but not limited to, hanger, hooks, belts, bag, rope strings, etc. should not be hanged or used on or around the bunk bed.

Replacement Parts:

Replacement parts may be obtained from your Furniture of America dealer.