

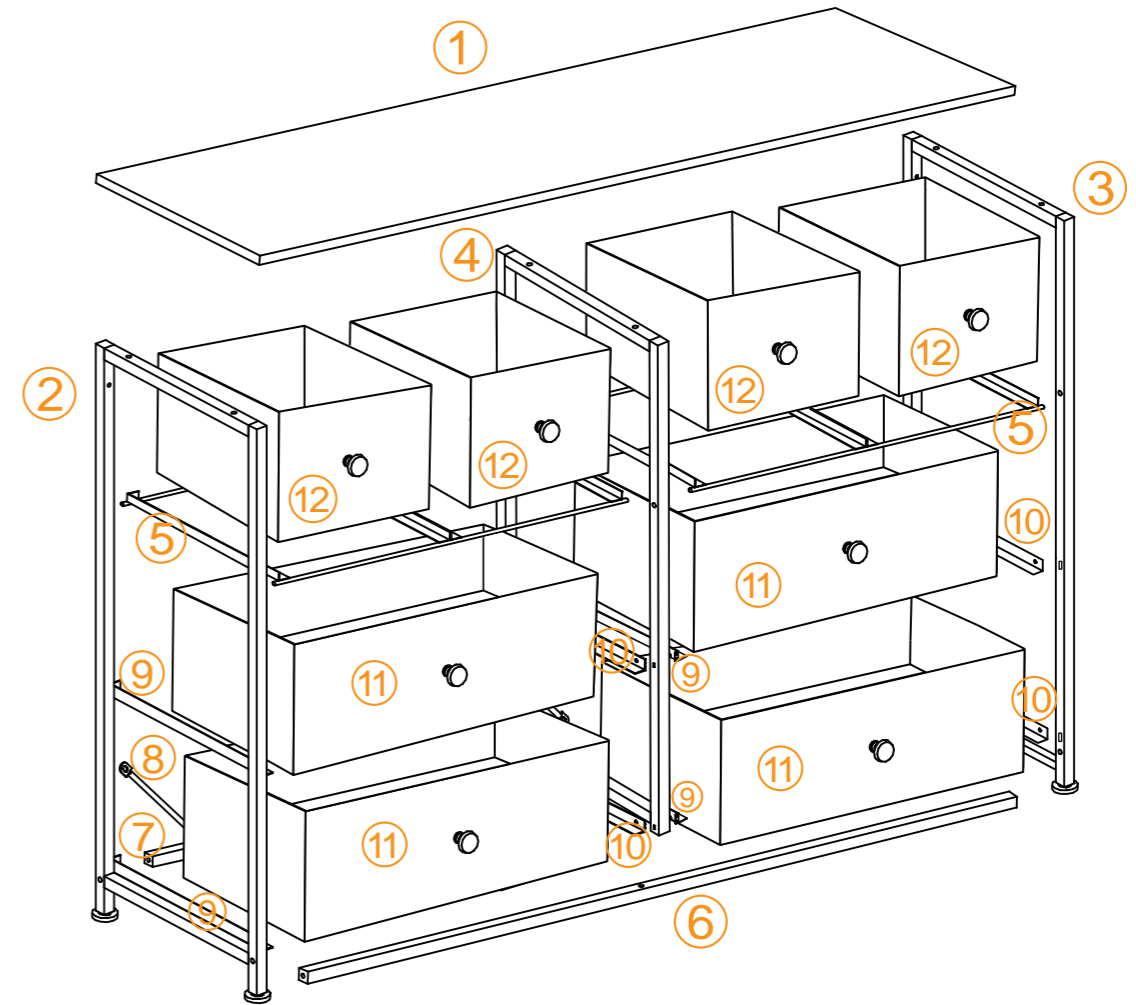
Installation & Assembly



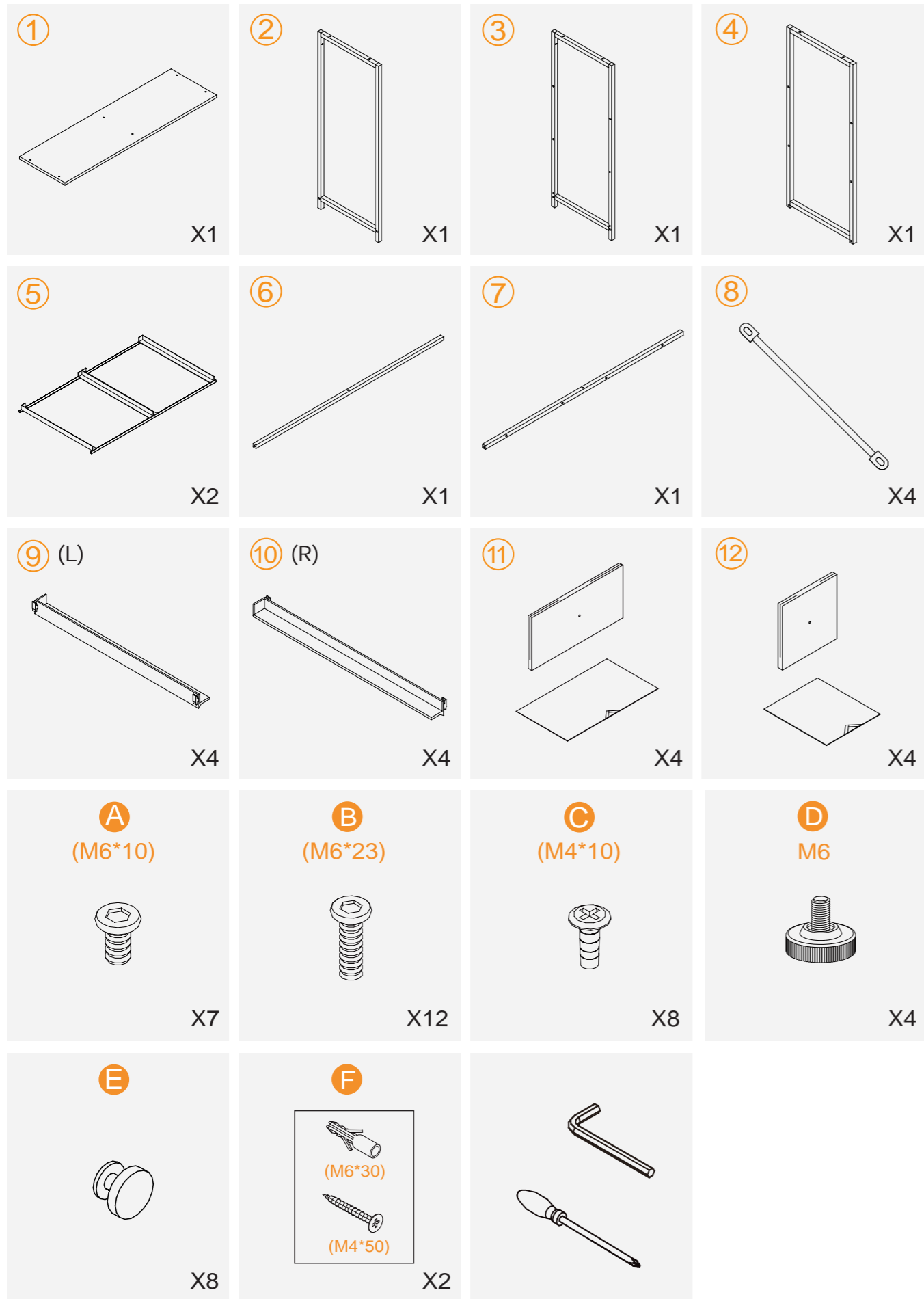
Important:

1. It is recommended that customers use an electric screwdriver to install, it will be easy to assemble.
2. The metal frames have certain degrees of elasticity. Please DO NOT over tighten the screws during assembly. An over tightened screw can cause bent metal frame.
3. For a smooth assembly process, we suggest you keep a lite tightness for all the screws during assembly, after the whole dresser is assembled , firmly tightening all the screws.

Exploded Drawing

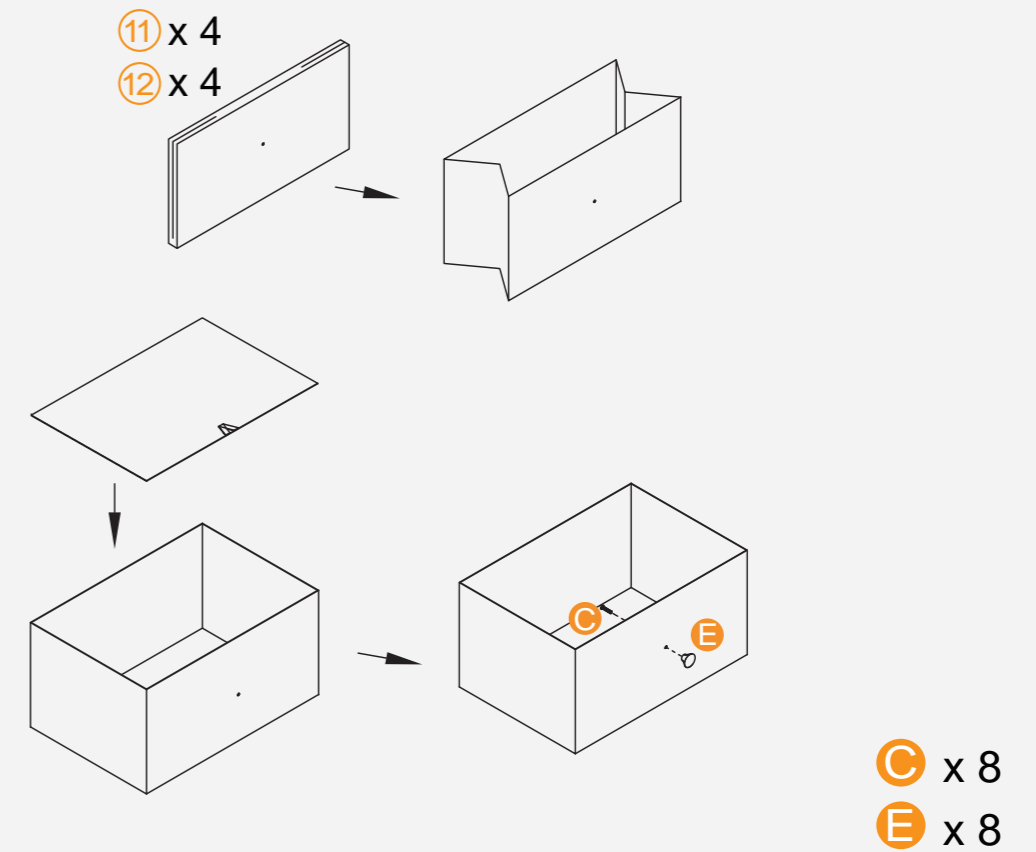


Parts:

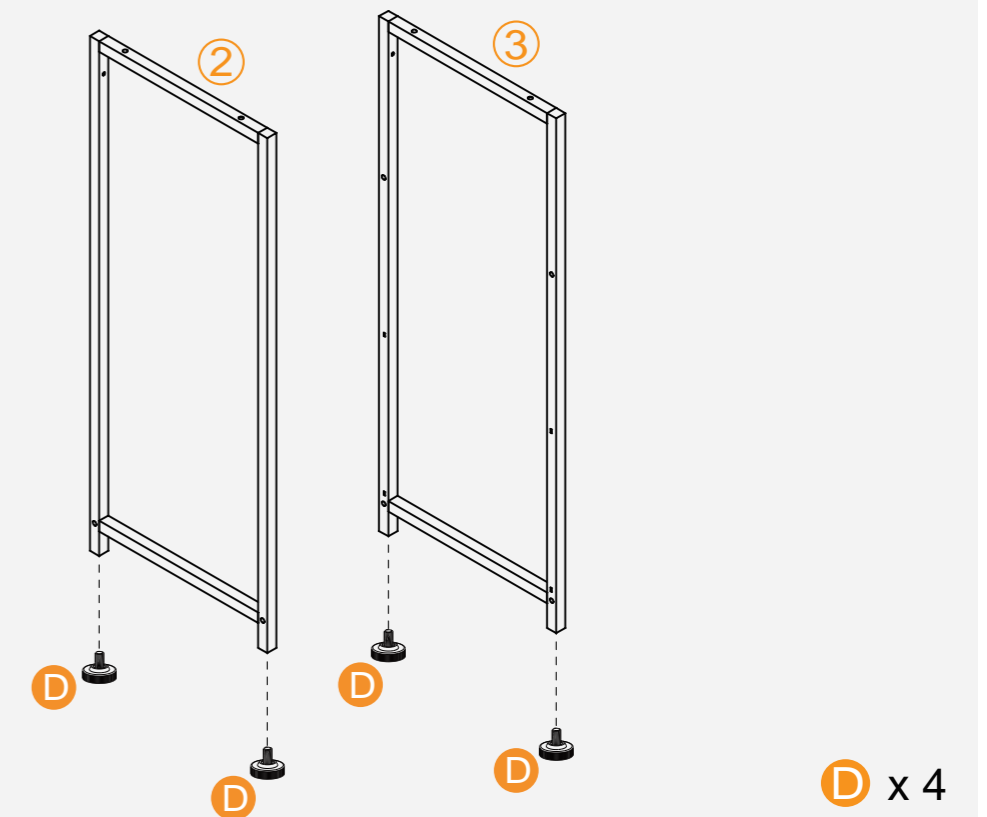


Assembly Instruction:

Step 1

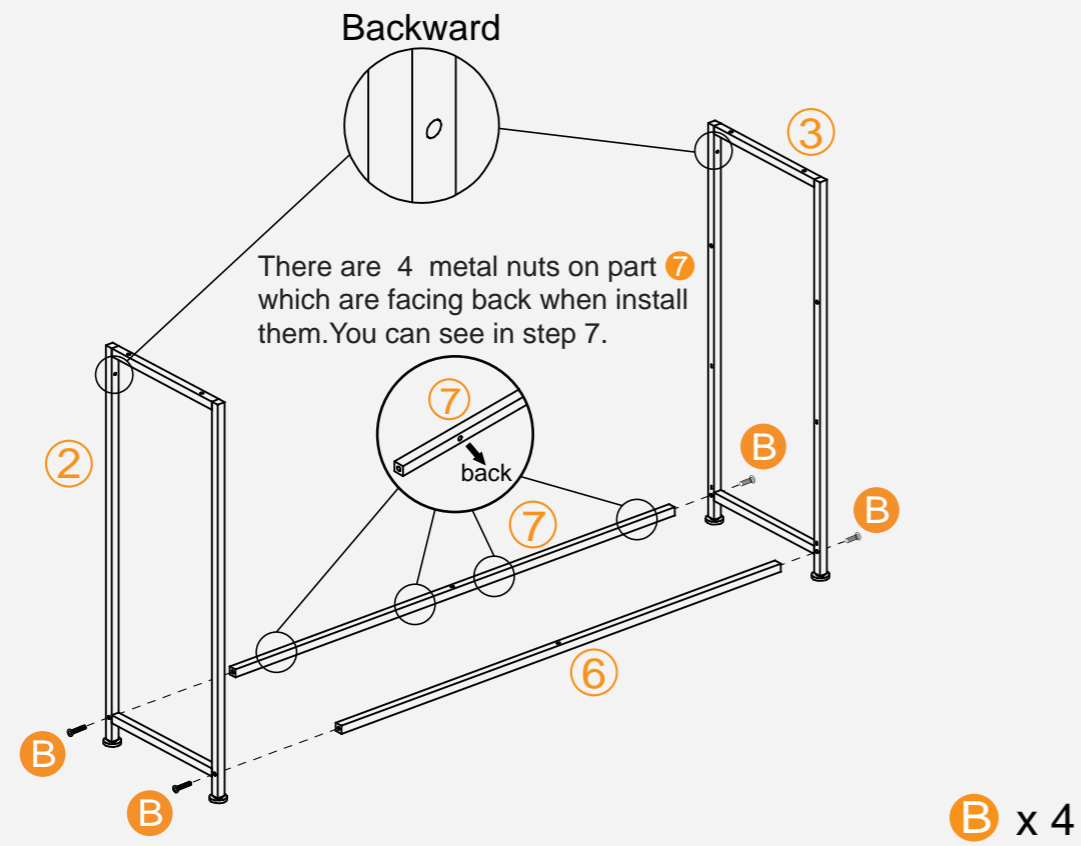


Step 2

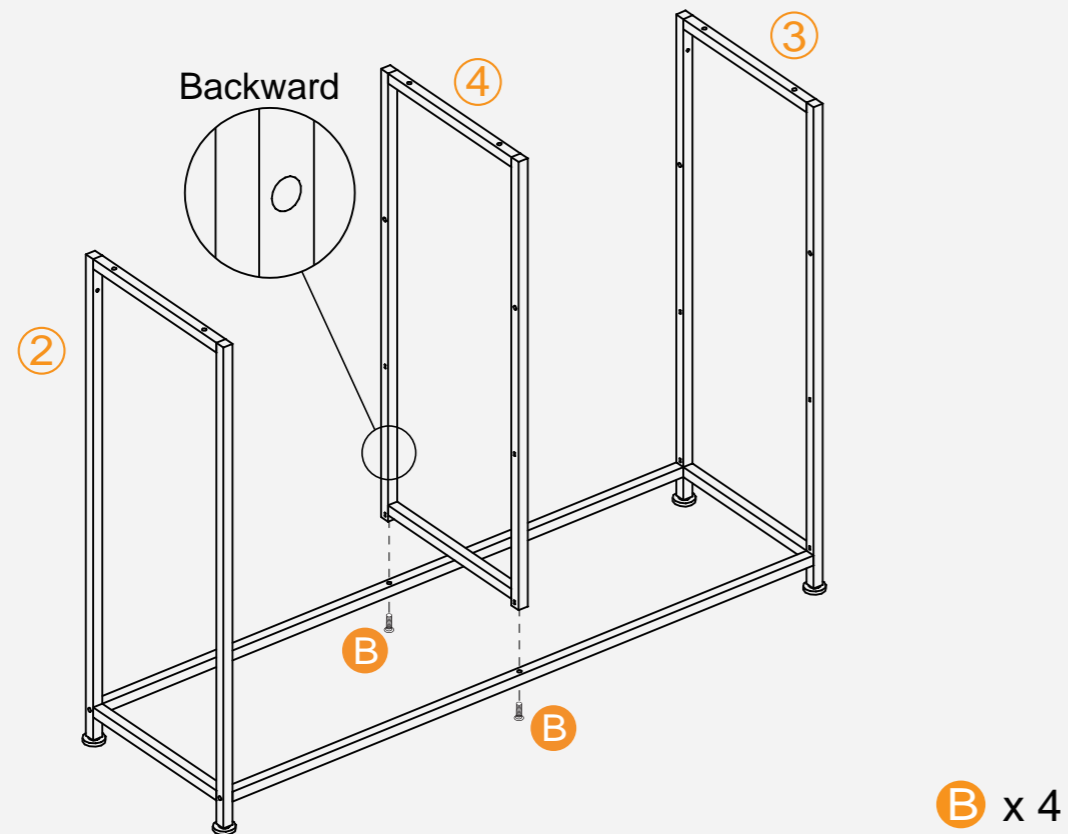


Assembly Instruction:

Step 3



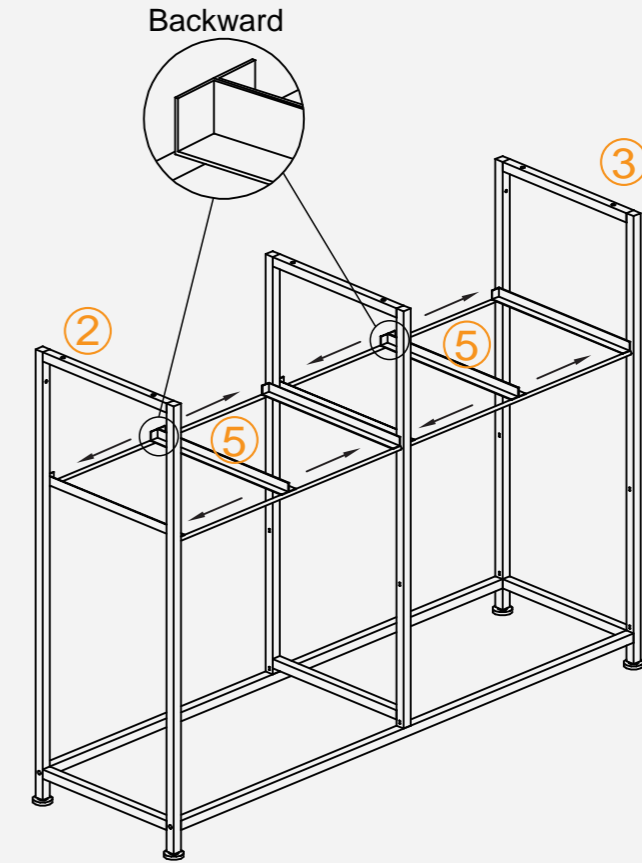
Step 4



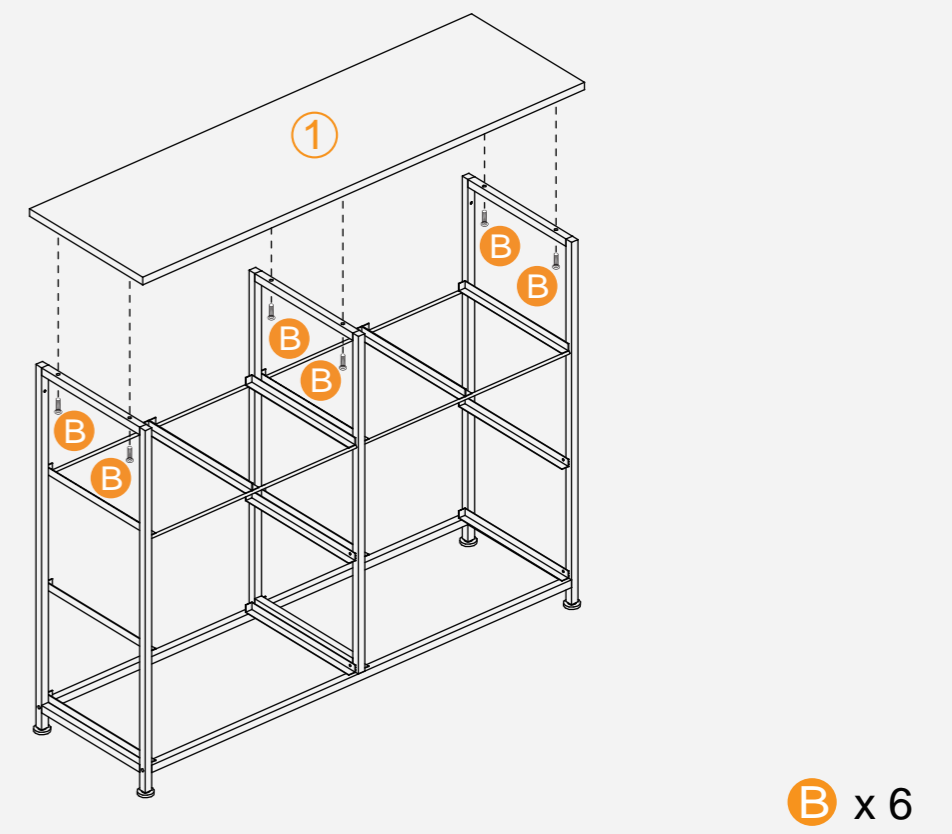
5

Assembly Instruction:

Step 5



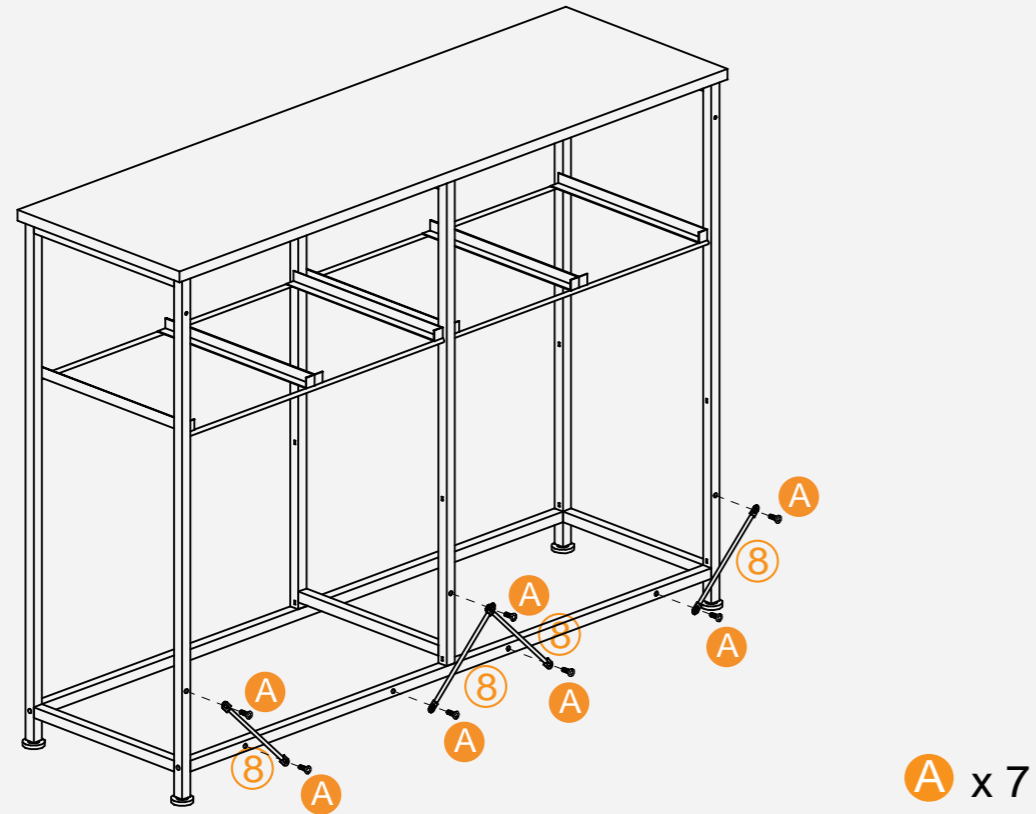
Step 6



6

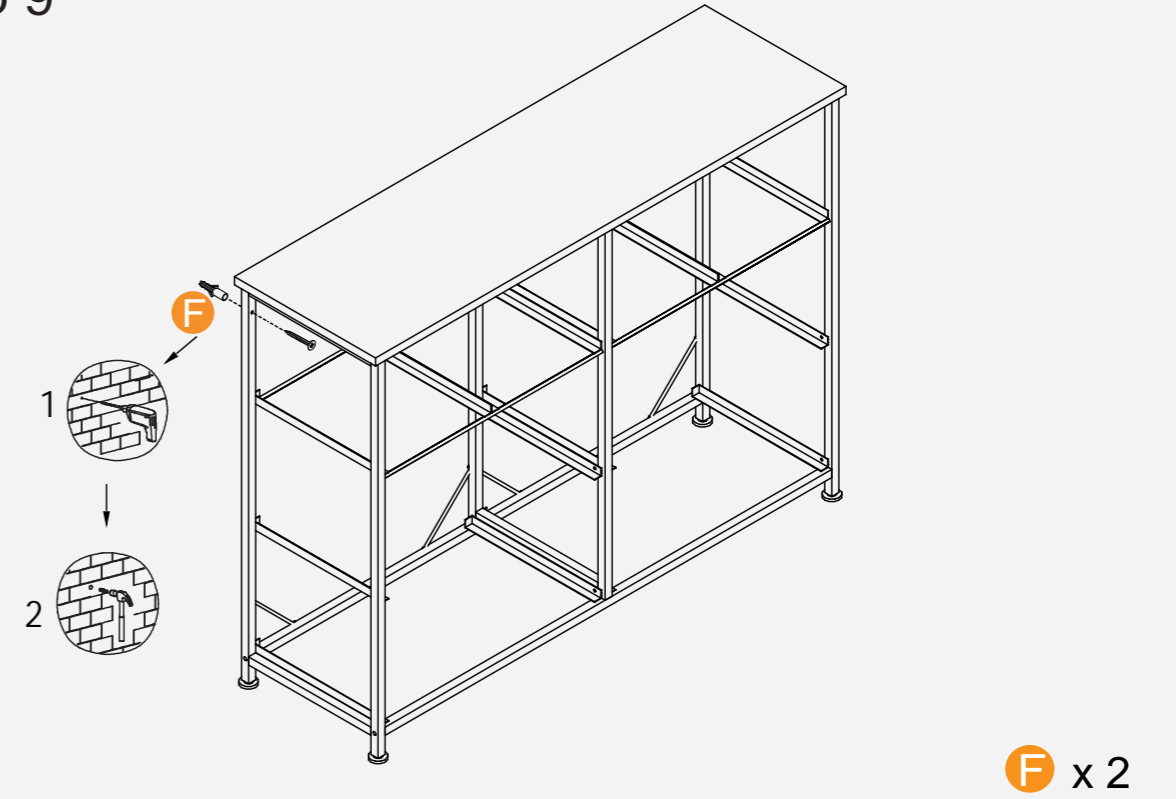
Assembly Instruction:

Step 7

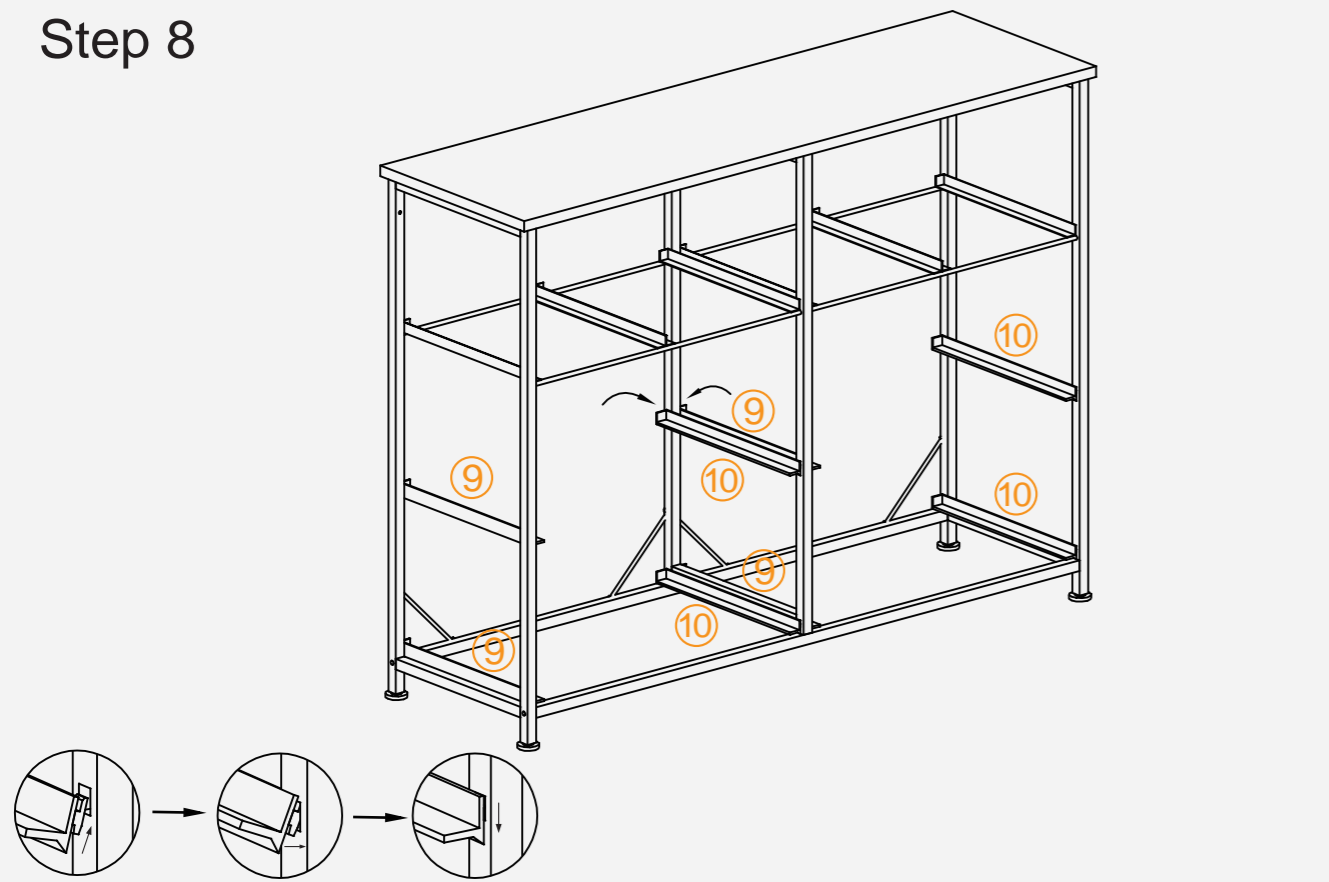


Assembly Instruction:

Step 9



Step 8



More Options:



8-Drawer Dresser
103X30X75.5cm
40.6"X11.8"x29.7"



9-Drawer Dresser
99X30X100cm
39"X11.8"x39.4"



10-Drawer Rustic Dresser
100X30X98cm
39"X11.8"x38.6"



8-Drawer Rustic Dresser
103X30X75.5cm
40.6"X11.8"x29.7"



10-Drawer Dresser
100X30X98cm
39"X11.8"x38.6"



9-Drawer Rustic Dresser
99X30X100cm
39"X11.8"x39.4"



8-Drawer Ladder Shapen Dresser
95.5X29X106.5cm
37.6"X11.4"x41.9"



12-Drawer Rustic Dresser
98.8X29.9X109.9cm
38.9"X11.8"x43.3"

GENERAL GUIDELINES:

- Please read the following instructions carefully and use the product accordingly.
- Please keep this instruction and hand it over when you transfer the product.
- This summary may not include every detail of all variations and considered steps.
- Please contact us when further information and help are needed.

NOTES:

- The product is intended for normal use only. The seller does not assume any responsibility or liability with respect to any damage caused by incorrect assembly or improper use.
- Keep away from exposure and heat sources. Place it in a dry area to avoid peeling or fading.
- Please check if there is any welding spatter or debris when you receive the product.
- If there are defective or missing parts after unpacking, please contact us immediately.
- Use soft cloth and neutral detergent to wipe it clean, then wipe dry. Do not use an abrasive agent to wipe the product.

WARNINGS:

- During assembly, keep small parts out of the reach of children. It may be fatal if swallowed or inhaled.
- To avoid potential danger of suffocation, keep all parts and packaging (films, plastic bags and foam, etc.) away from babies and children.
- Keep away from sharp or corrosive items to avoid potential product damage or bodily injury.

How to Use Our Service?

30 days return-change policy is too short for you! You will get extra 60 days for free! Just , you will activate this service. Hurry up to activate it now!