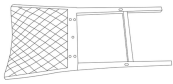

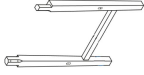




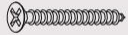



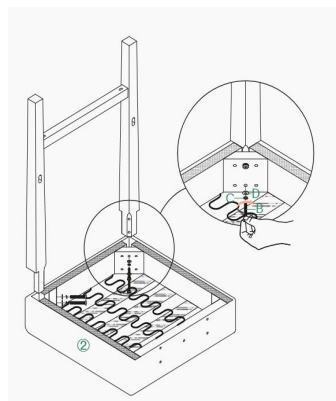
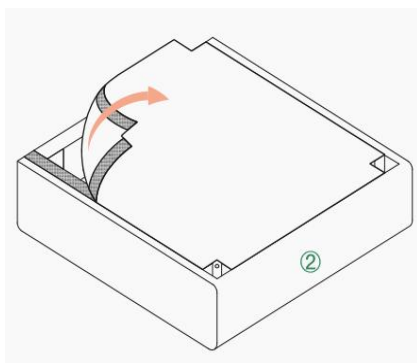
ASSEMBLY INSTRUCTIONS

| Parts# | Parts Name | Drawing | Qty |
|--------|----------------------|---|-----|
| 1 | Backrest |  | 1 |
| 2 | Seat |  | 1 |
| 3 | Front leg |  | 1 |
| 4 | Right rail/left rail |  | 2 |
| A | Bolt |  Ø5/16"x50mm | 9 |
| B | Spring washer |  | 9 |
| C | Flat washer |  | 9 |
| D | Screw |  M5x50mm | 4 |
| E | Allen wrench |  | 1 |

Step 1

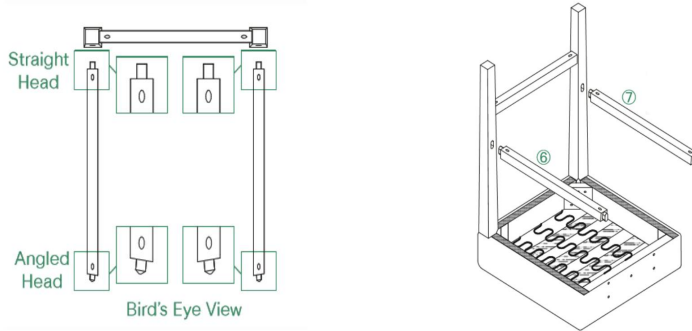
Flip the seat ② upside down so that the bottom faces you. Remove the bottom fabric attached by Velcro to get ready for assembly.

Flip front legs ③ and insert it into the seat ②. Fit a spring washer B to a bolt A followed by a flat washer C. Insert the bolt into a hole and tighten it with your hand until it is finger-tight. This will allow an opportunity to level the chair and prevent any unnecessary “rocking”. Repeat this for the other hole and then repeat the process for the other leg.



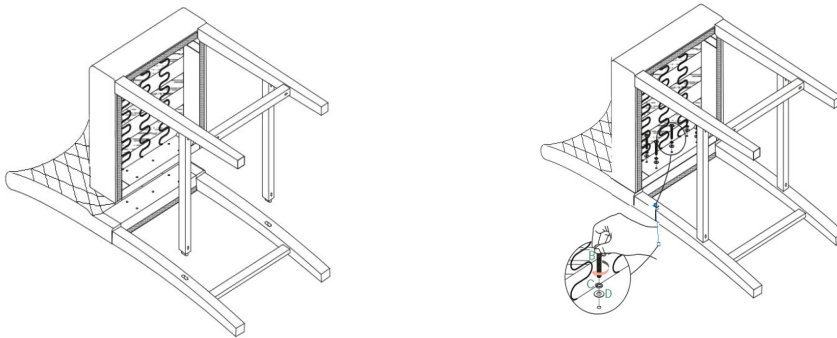
Step 2

Align the left and right rails 4 with the slots of front legs. Please identify each end of the rails carefully before aligning and make sure they are attached in compliance with points below: 1. The Straight Head of each rail goes into the slot of the front leg (as shown in Bird's Eye View). 2. The Angled Head of each rail shall incline outward (as shown in Bird's Eye View). 3. The screw holes on the rails face you (in the direction that would be toward the ground when standing upright).



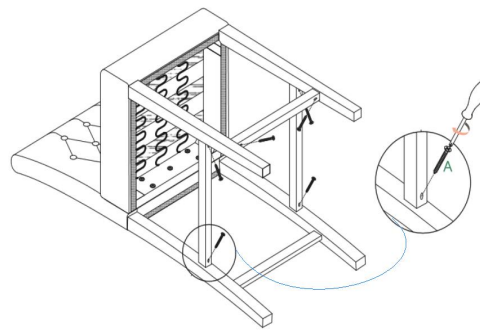
Step 3

Place the backrest ① on a level surface. Align the structure formed in Step 5 with the backrest. Fit the angled heads into the slots of the rear legs, Fit a spring washer C to a bolt B followed by a flat washer D. Insert the bolt into a hole on the seat frame and tighten it with your hand until it is finger-tight. Repeat this for the remaining bolt holes.



Step 4

Insert a screw D into a hole on the rail. Secure the screw in place using a screwdriver but do not tighten it yet. This will allow an opportunity to level the stool and prevent any unnecessary "rocking". Repeat this for the remaining screw holes.



Step 5

Place the loosely assembled stool in its desired location. Apply gentle downward pressure on the seat to eliminate rocking and ensure the stool is level. And then tighten all the screws and bolts.

