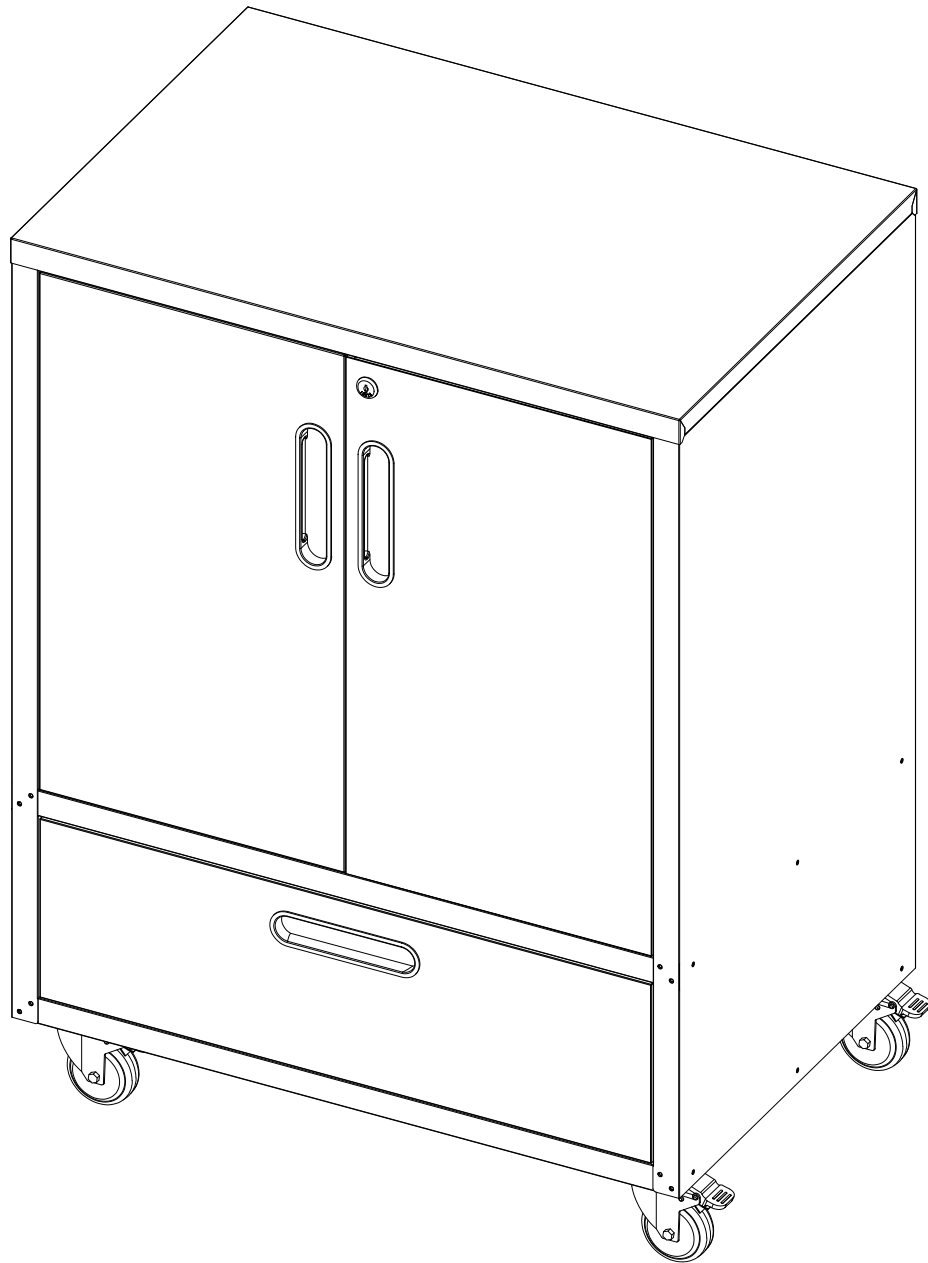
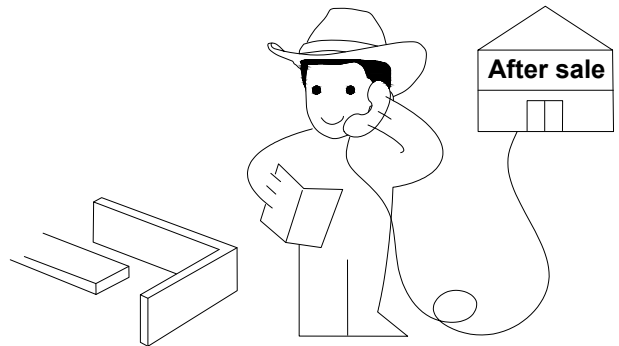
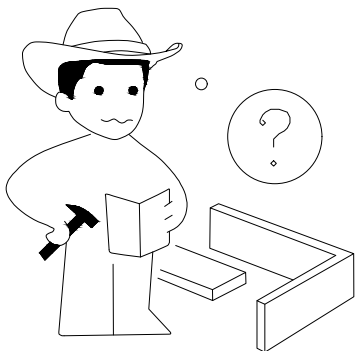
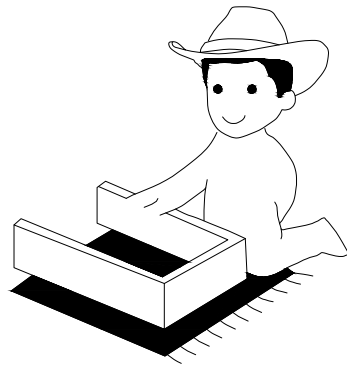
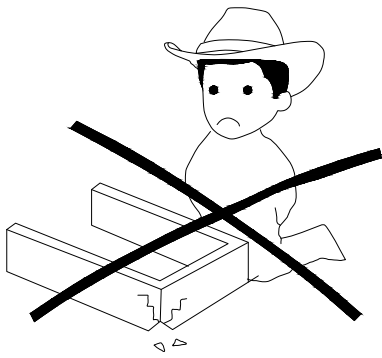
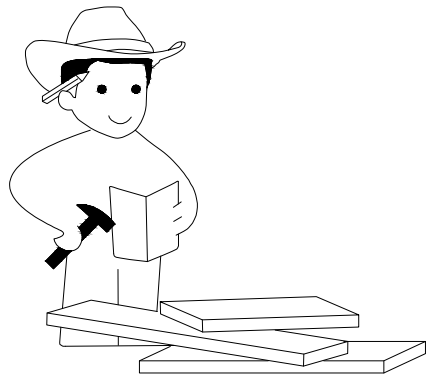
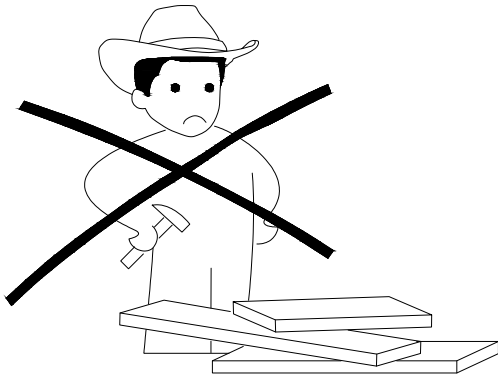
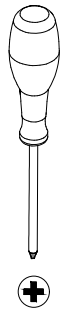
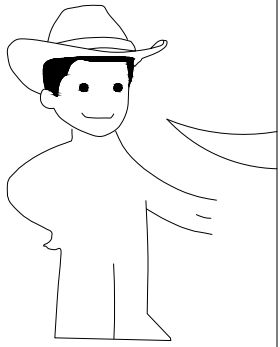


B03TC-001BM

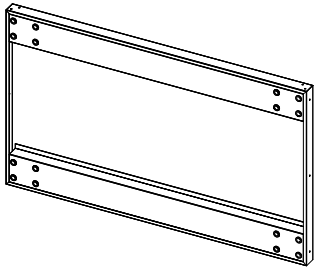


Version 1.0

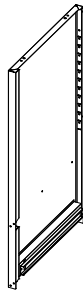
Installation video



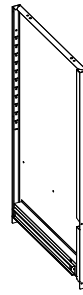
1×1pc



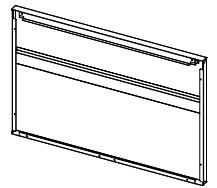
2×1pc



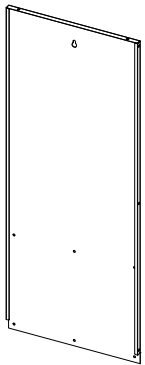
3×1pc



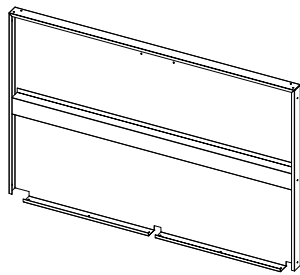
4×1pc



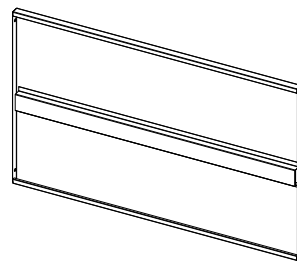
5×2pcs



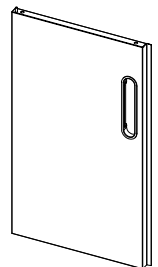
6×1pc



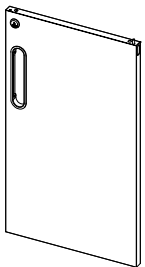
7×1pc



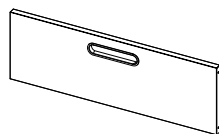
8×1pc



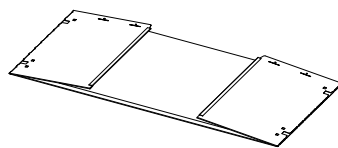
9×1pc



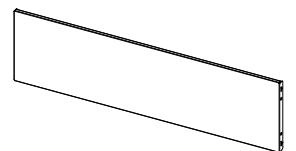
10×1pc


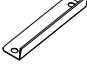
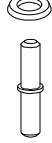
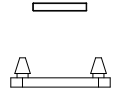

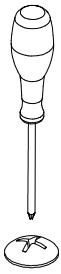


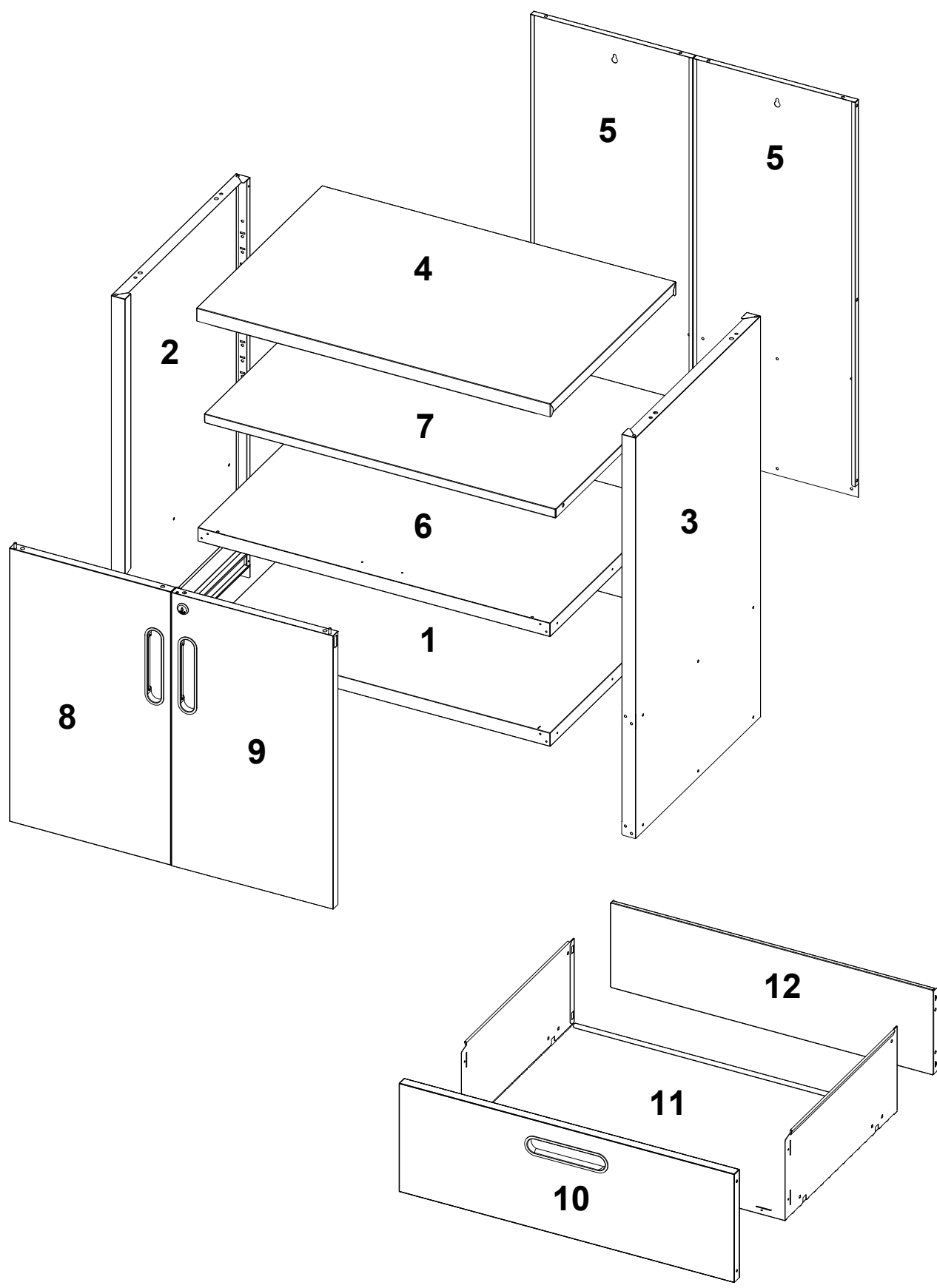
11×1pc



12×1pc



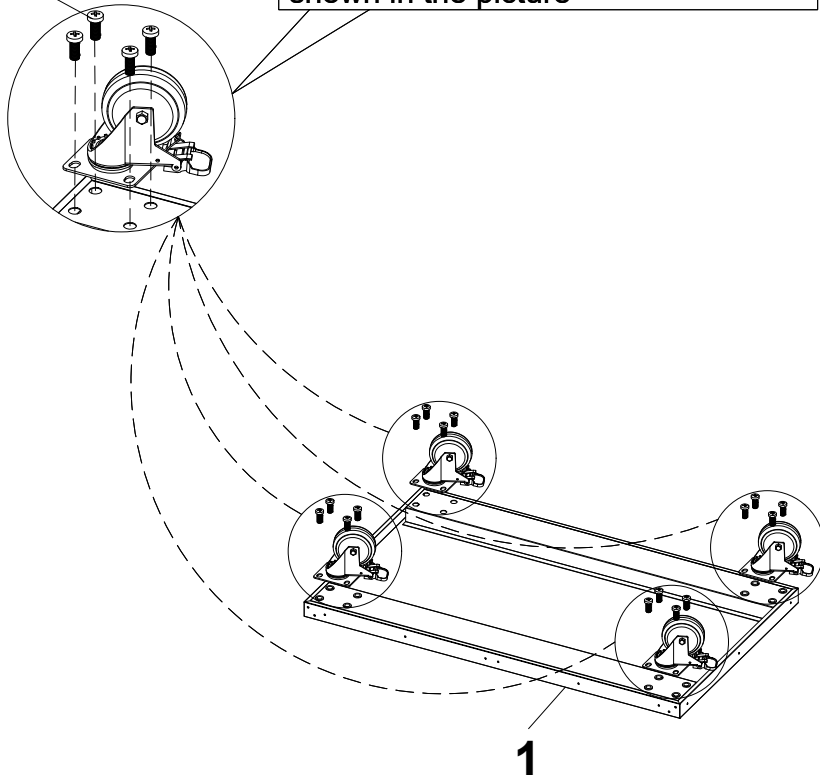
<p>A×59pcs</p>  <p>M4× $\frac{8\text{mm}}{0.3\text{inch}}$</p>	<p>B×16pcs</p>  <p>M8× $\frac{20\text{mm}}{0.79\text{inch}}$</p>	<p>C×3pcs</p>  <p>M5× $\frac{12\text{mm}}{0.47\text{inch}}$</p>	<p>D×1pc</p> 	<p>E×4pcs</p> 	<p>F×4pcs</p> 	<p>G×2pcs</p> 	<p>H×4pcs</p> 
<p>I×2pcs</p> 	<p>4pcs</p> 						



1

B

Install the four rollers in sequence as shown in the picture



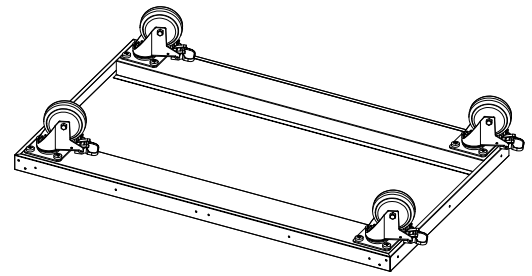
After completing the installation of the four rollers, please step on the rear locking part to prevent the cabinet from sliding during subsequent installation



Unlocking

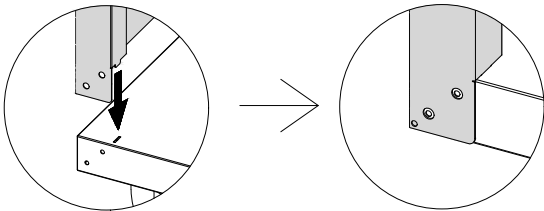
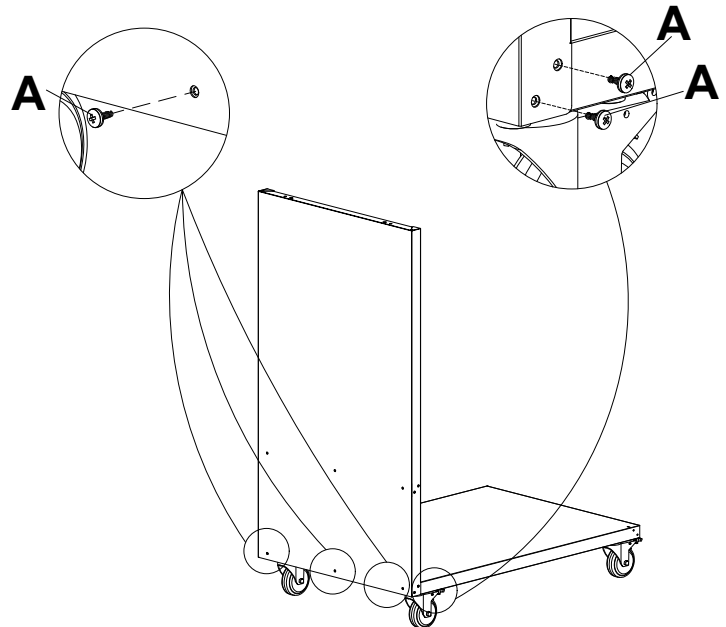
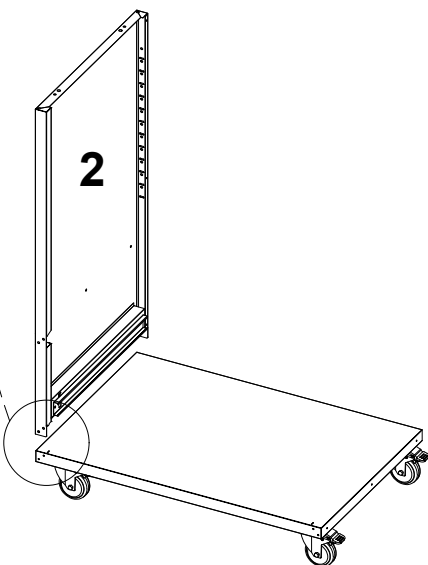


locked



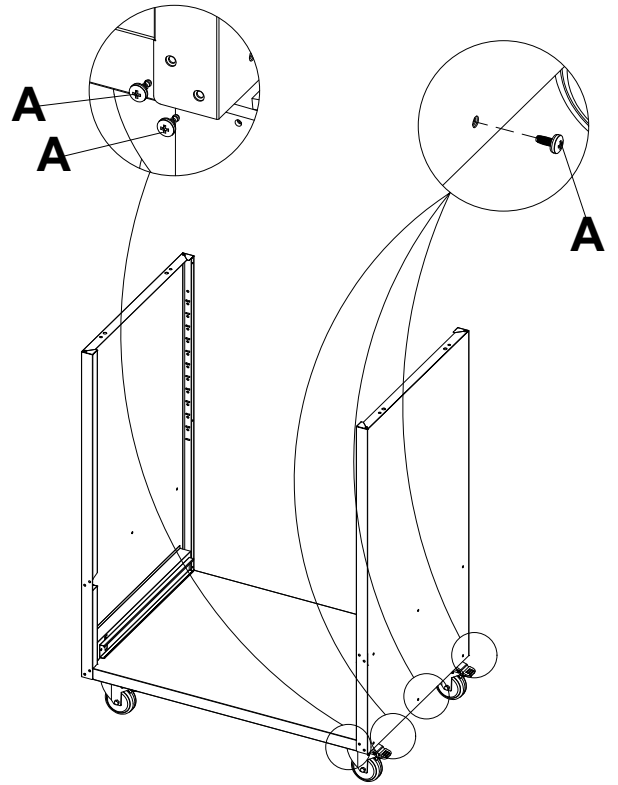
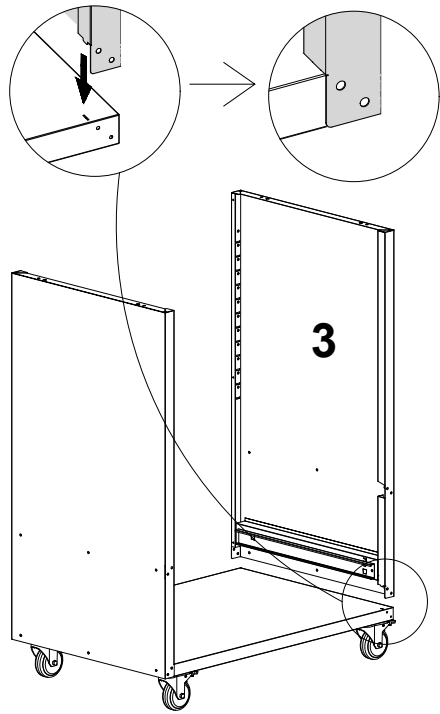
B×16

2

**2**

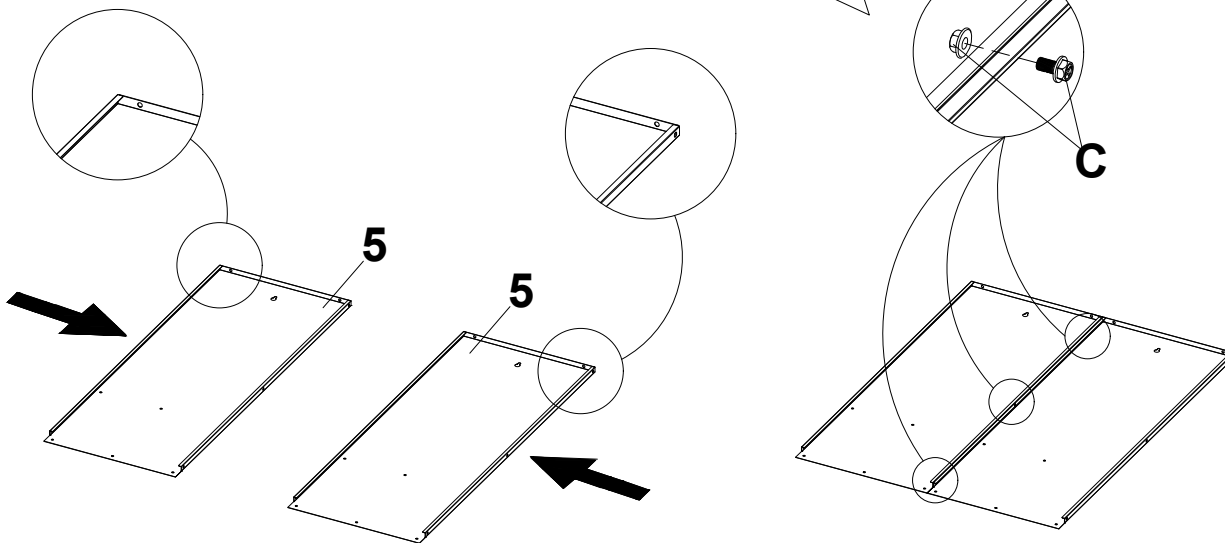
A×5

3



4

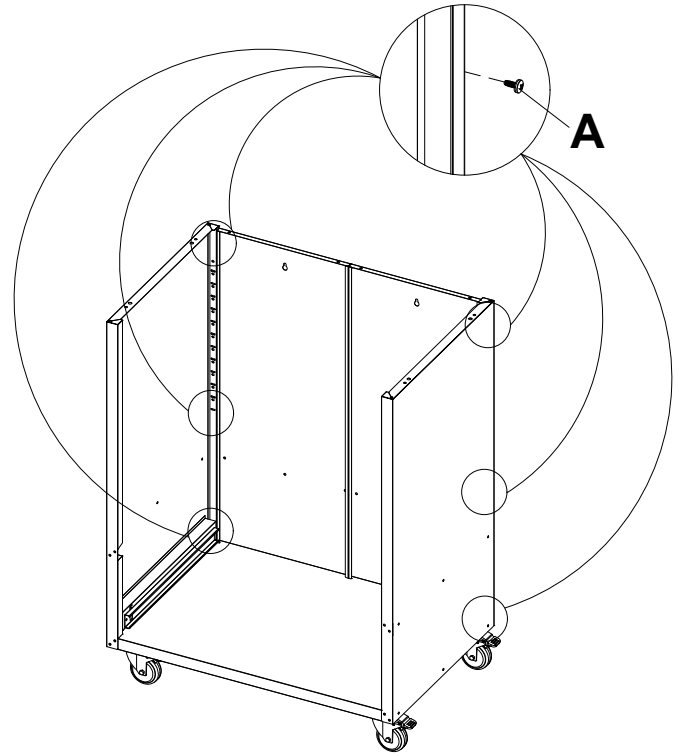
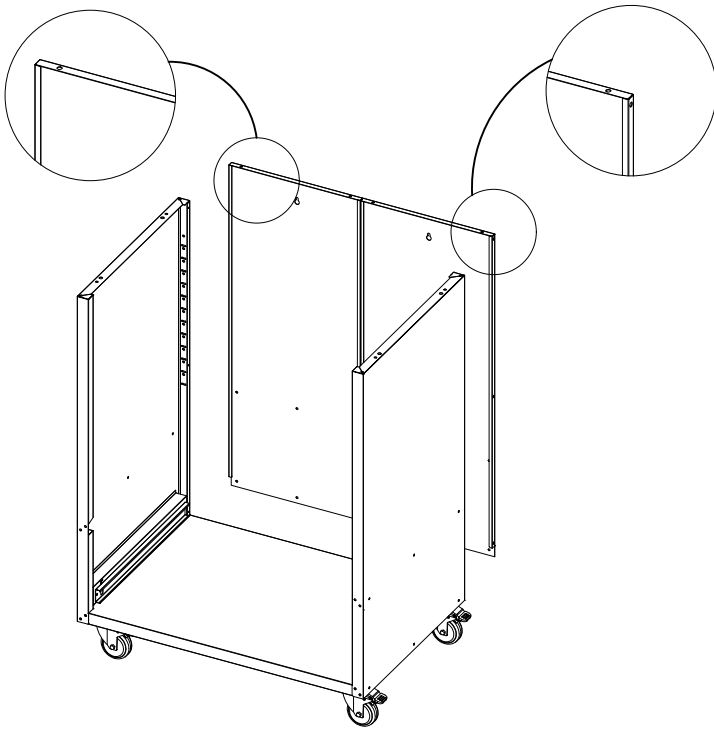
put three bolts and nuts to hold them in place



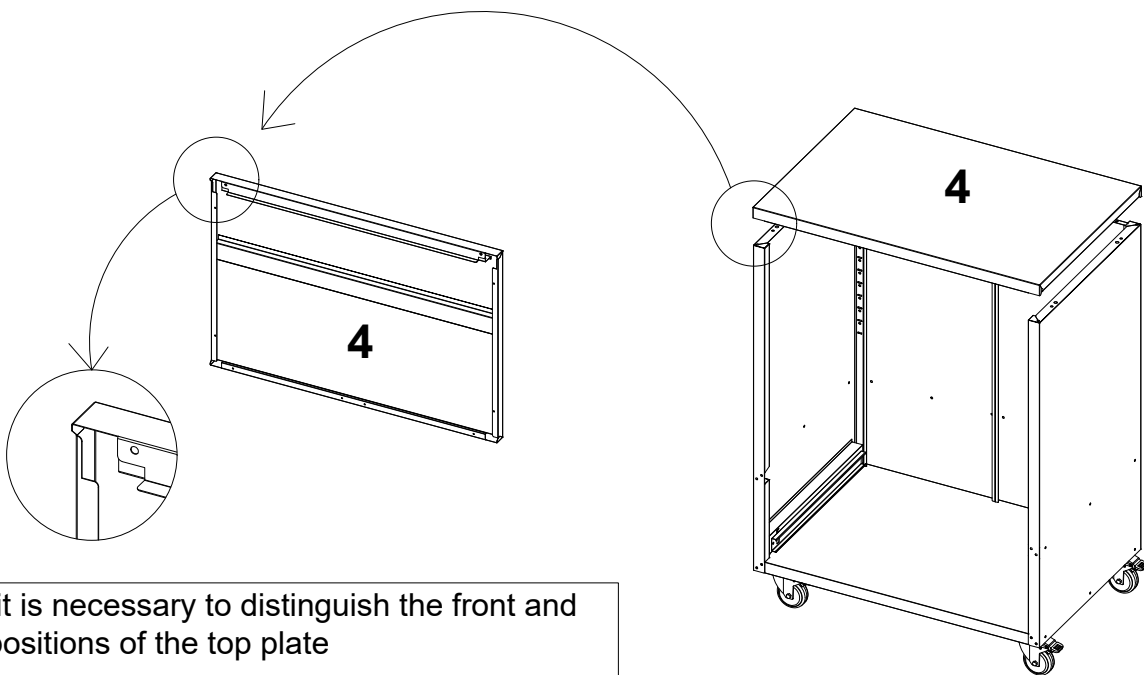
5

Pay attention to the installation direction of the back

Place component 5 in place according to the diagram

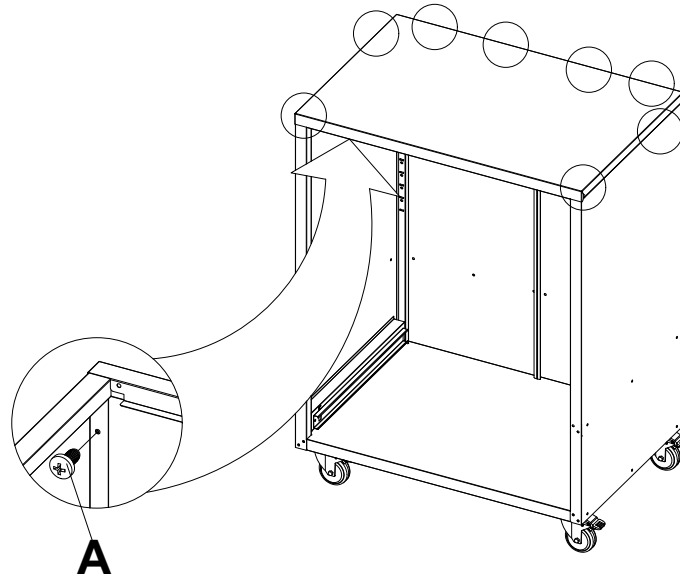


6



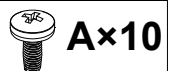
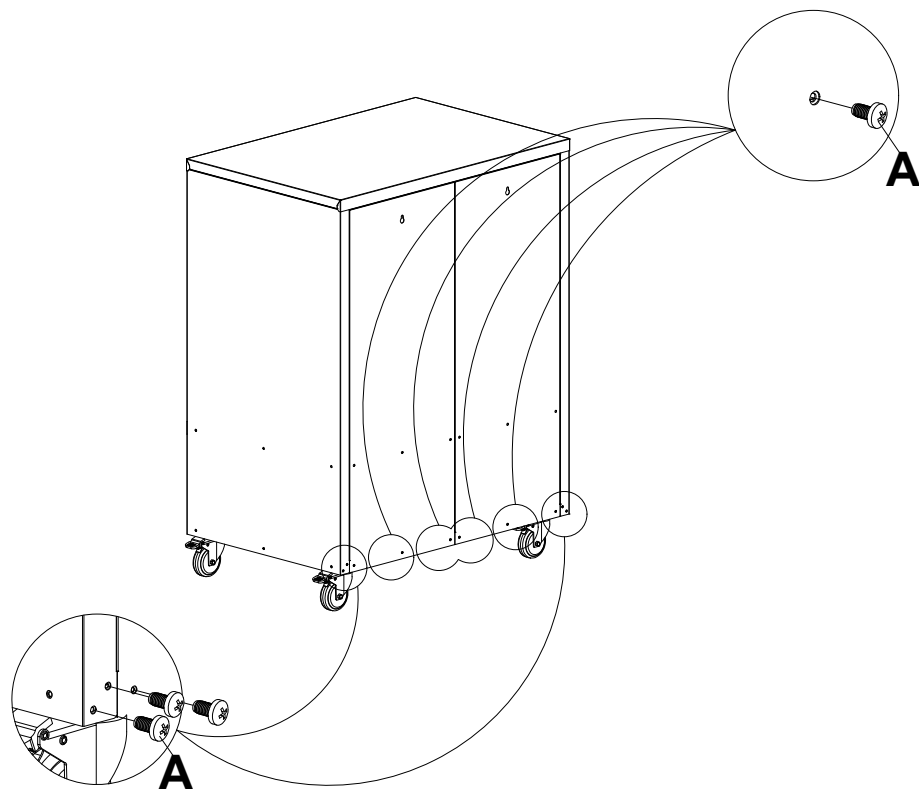
Here, it is necessary to distinguish the front and back positions of the top plate

7

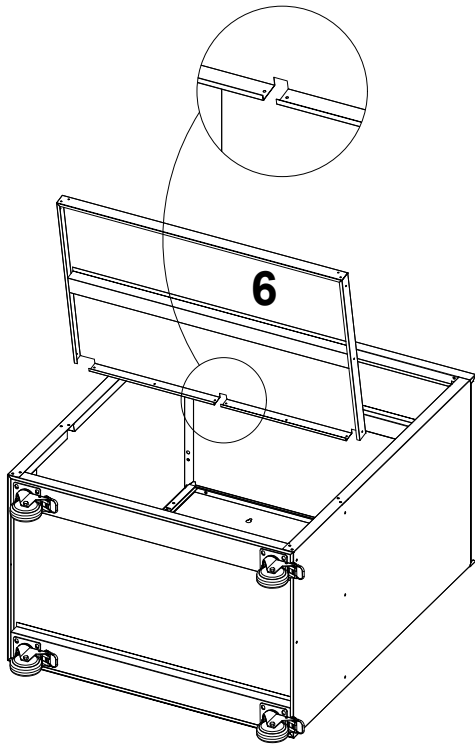


8

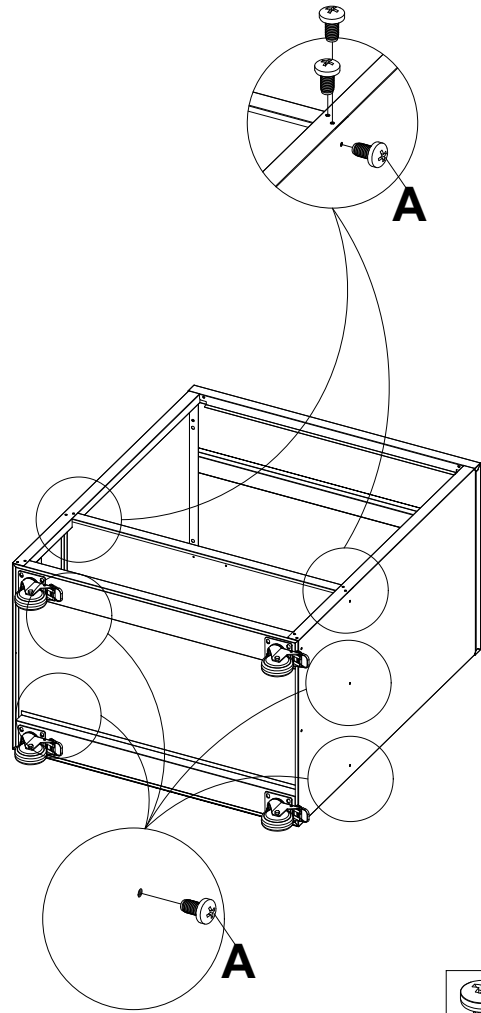
As illustrated, 3 screws per side, 1 screw per middle position (x4).



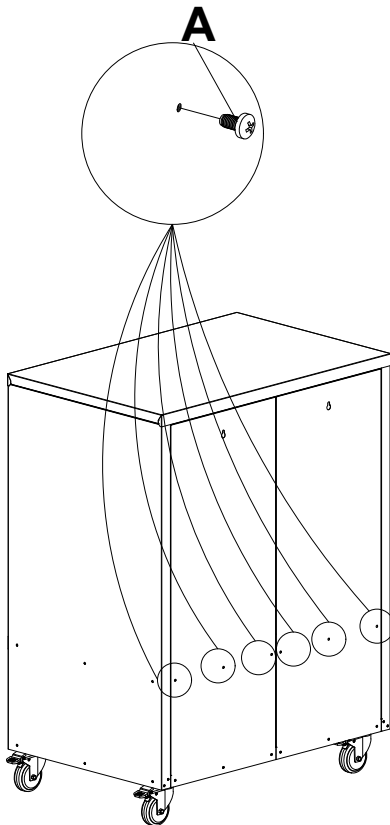
9



Lay the cabinet flat with the front face up, install Panel 6, and secure it with Screw A.

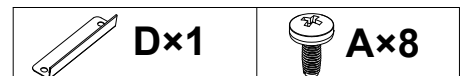
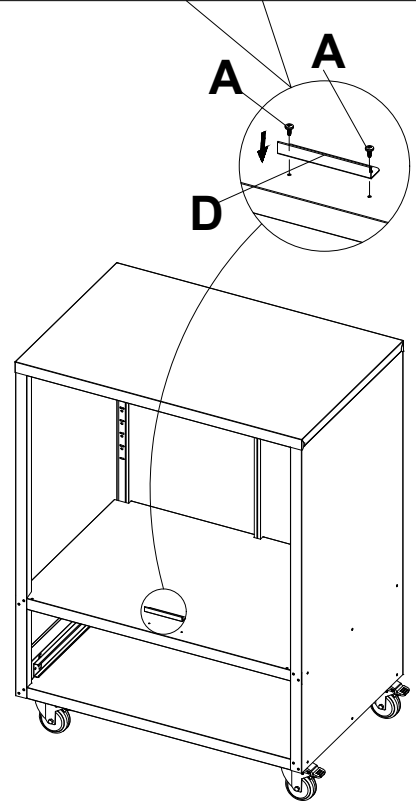


10

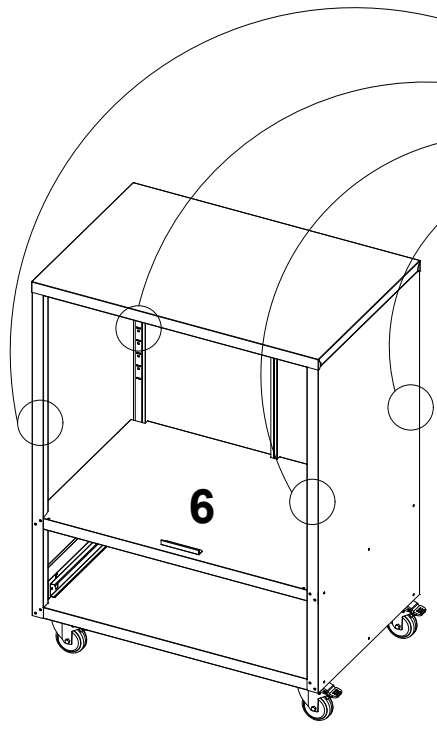


After standing the cabinet upright, install the remaining screws of the No. 6 shelf

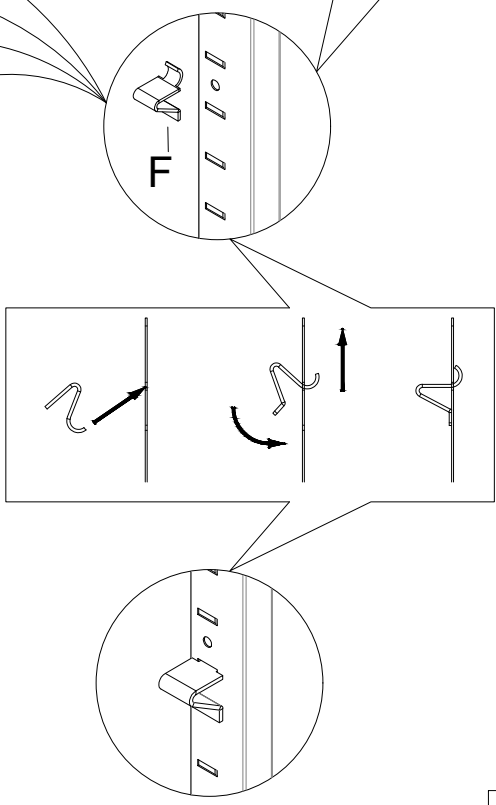
Fix accessory D in place with screws A according to the diagram



11

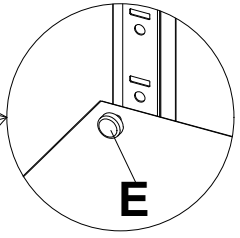
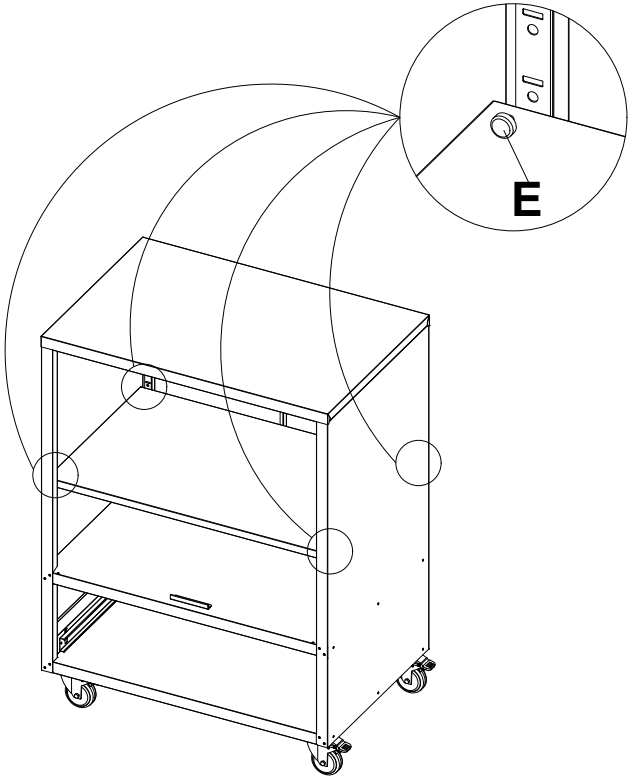
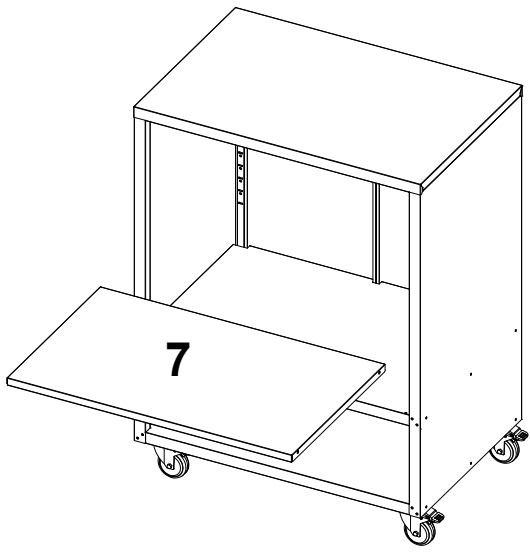


Install accessory F in place according to the steps in the diagram



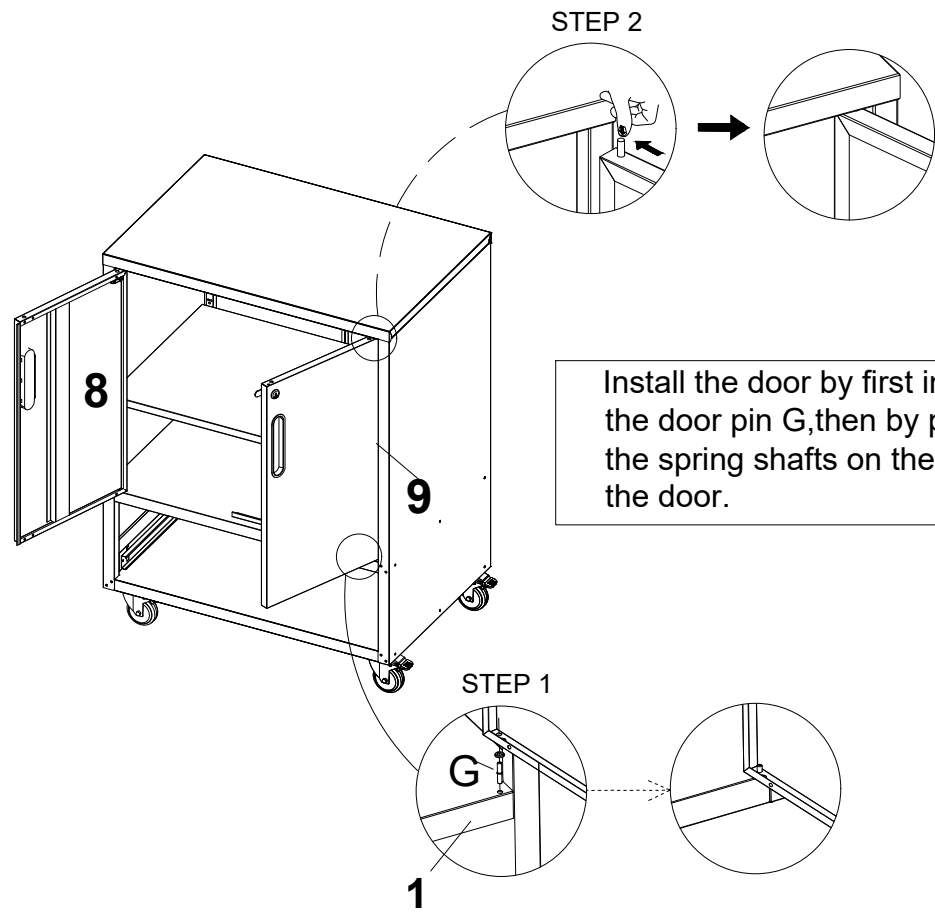
 **F×4**

12



 **E×4**

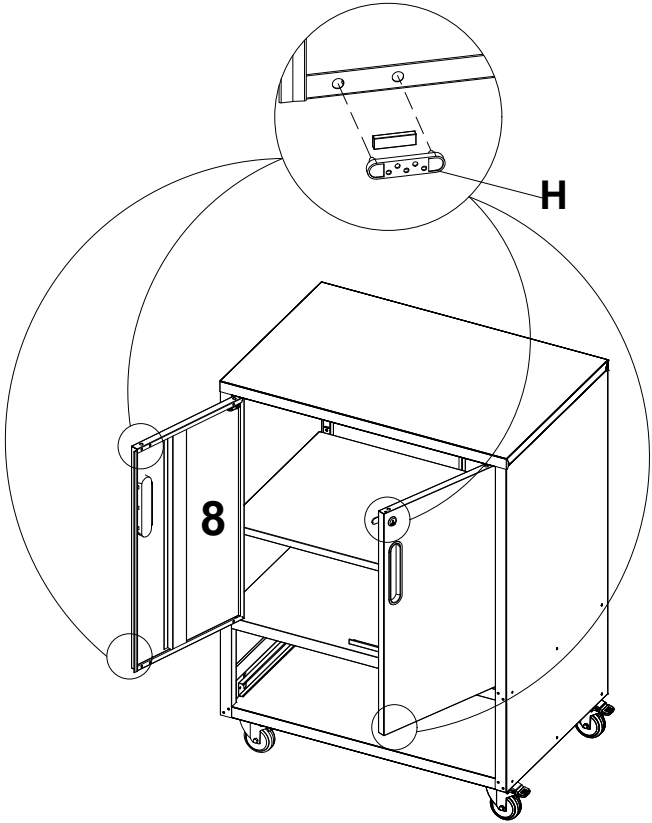
13



Install the door by first installing the door pin G, then by pressing the spring shafts on the top of the door.

 **G×2**

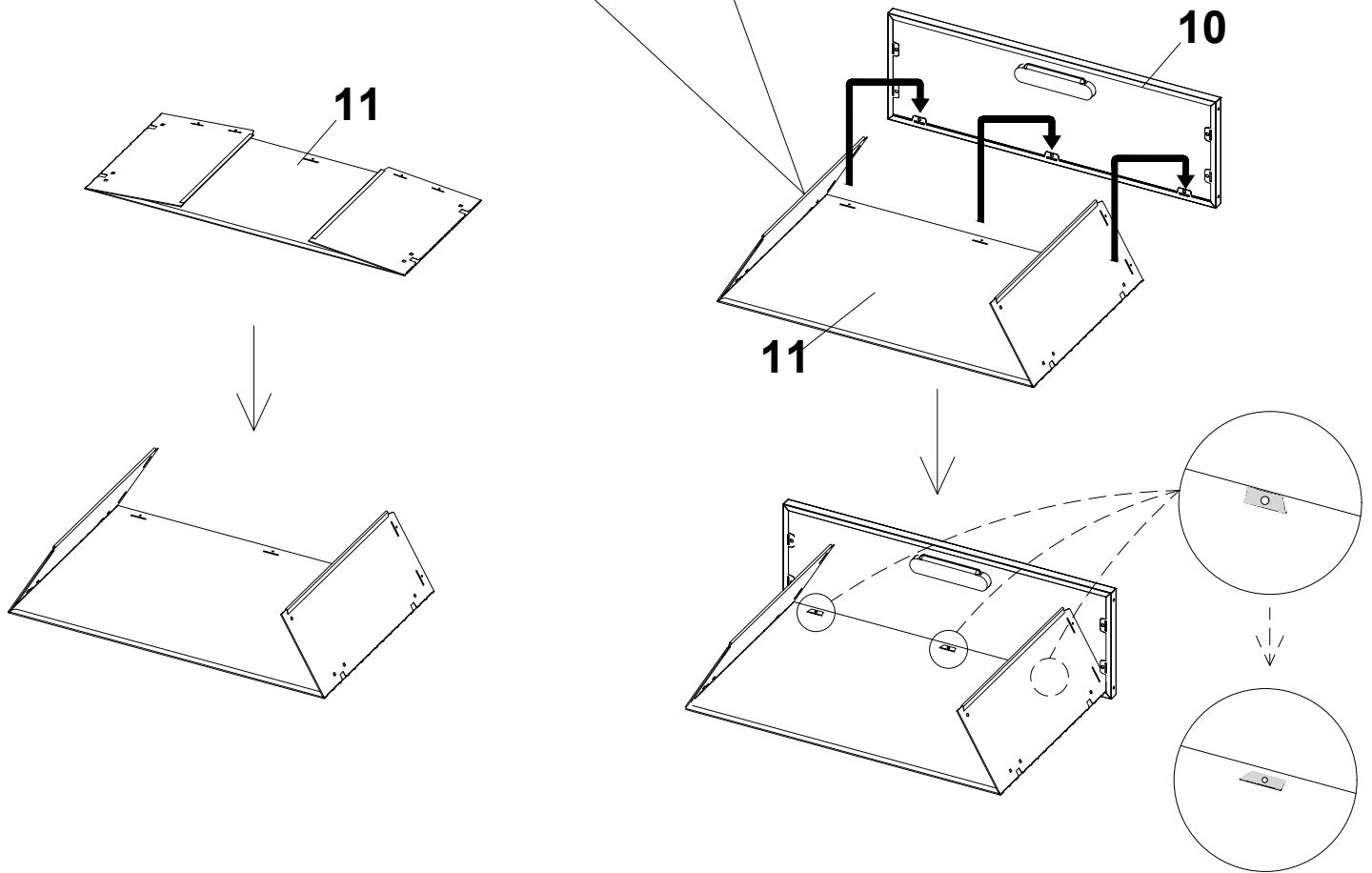
14



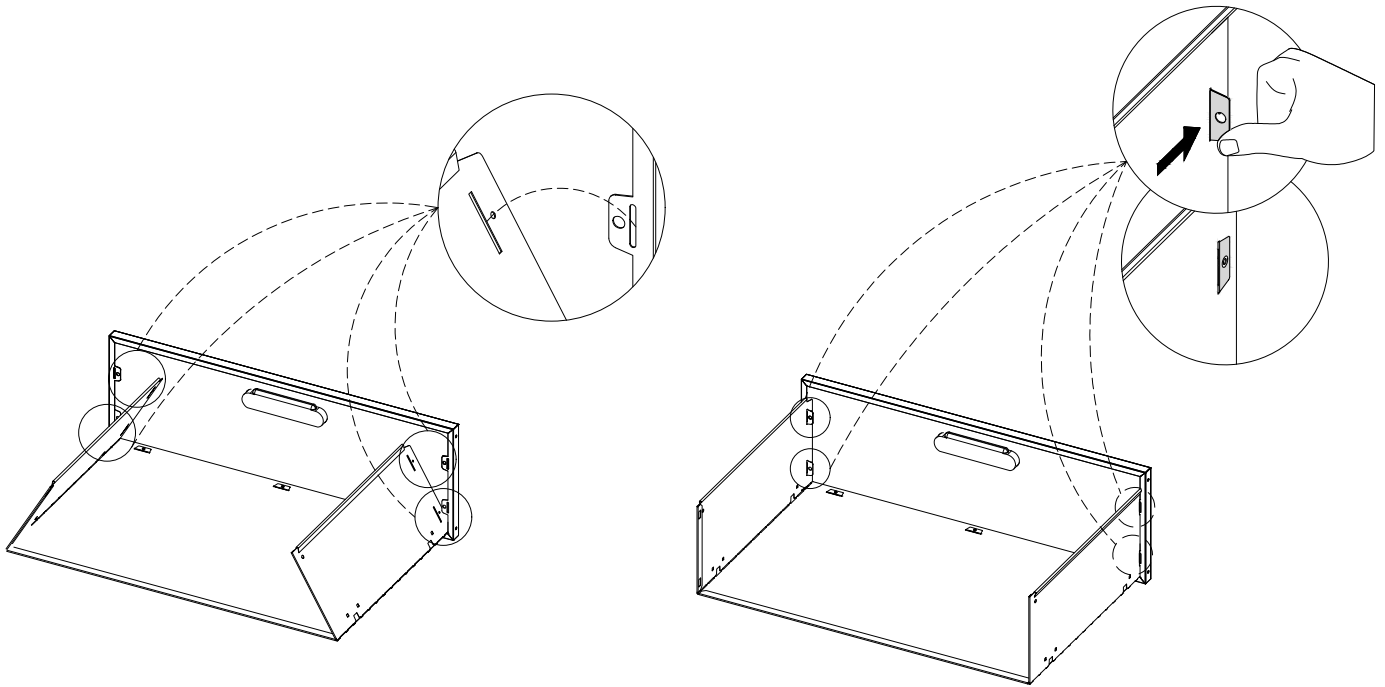
 **H×4**

15

Insert the tabs at the bottom of the drawer faces 10 into the drawer body 11 and bend the tabs



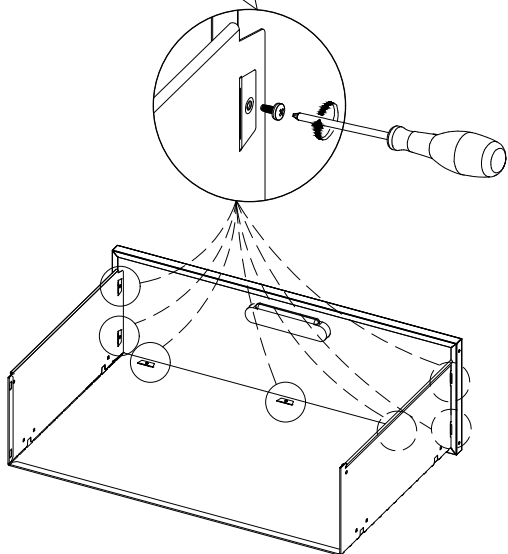
16



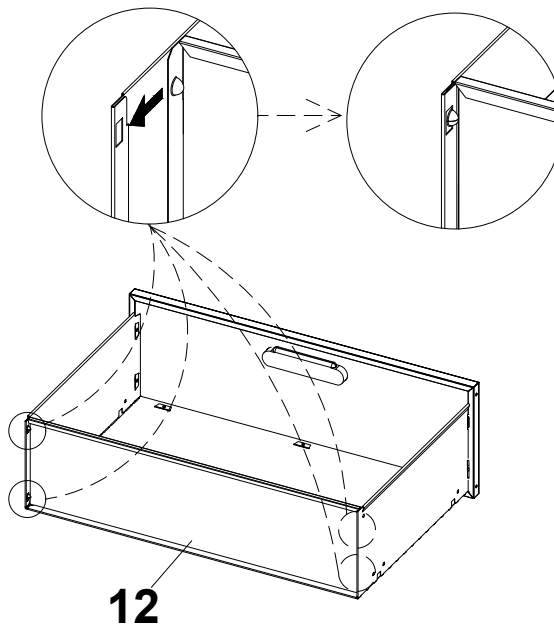
Bend the tabs on the drawer faces.

17

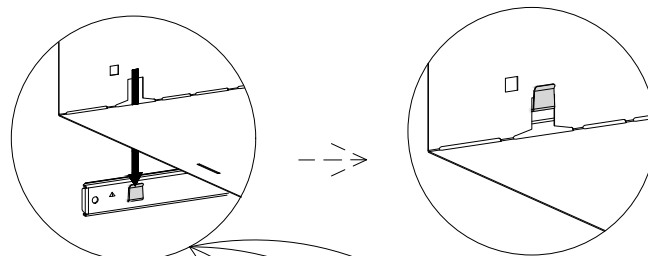
Put seven screws to hold them in place



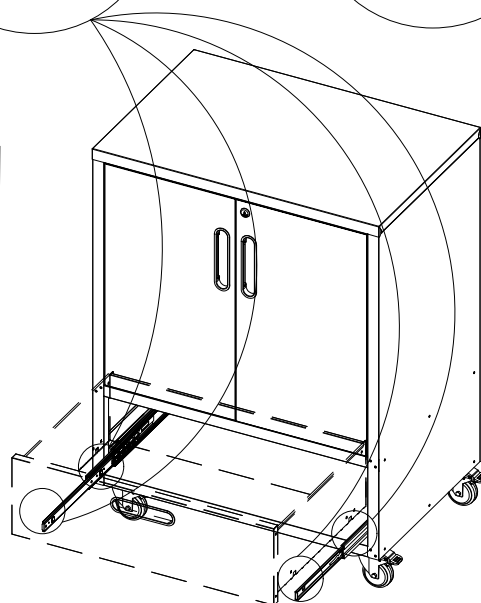
Make sure that the little bits protruding from part 12 are all inserted.
Note that the slots on the back wall of the drawer should face up.



18

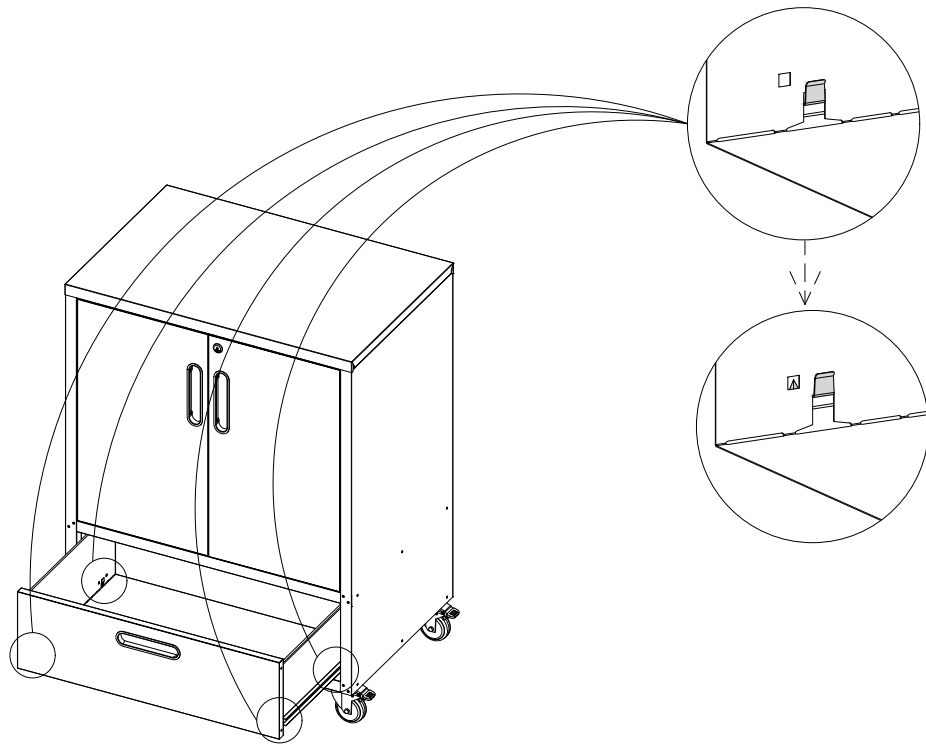


1. pull out the small rails in the slide rails on the side walls completely. with two people lifting each side of the drawer, align the four divots on the bottom with the two rail clips on the rails on each side and insert them into the rail clips.

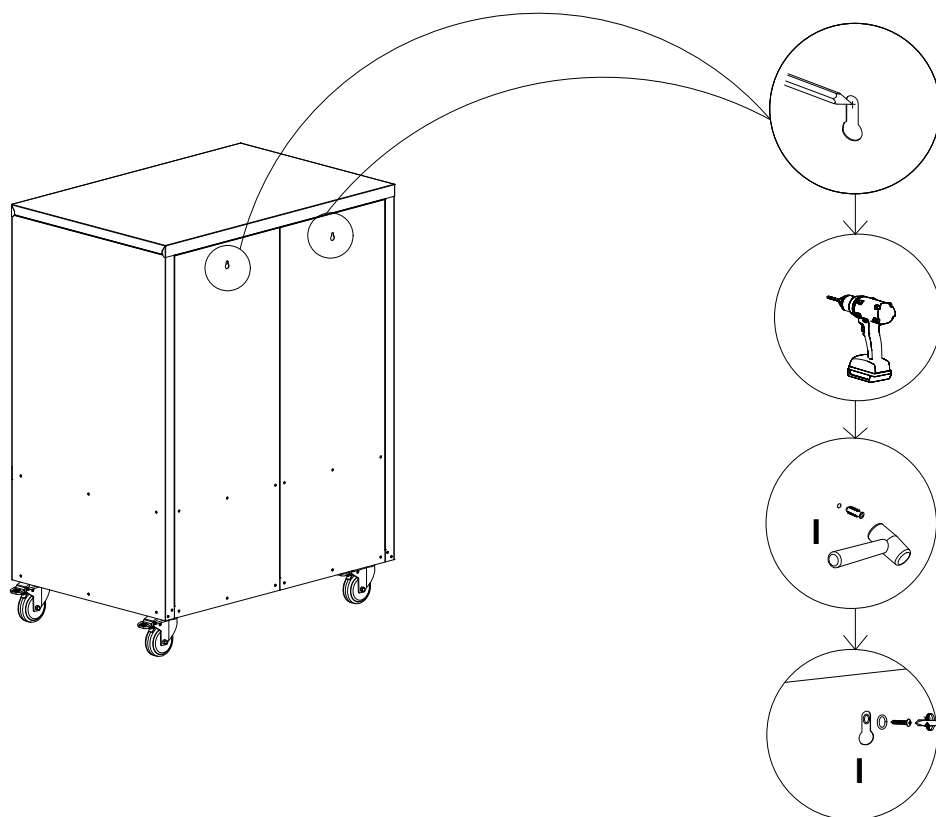


Drawer Installation Video

19



20



 **1x2**