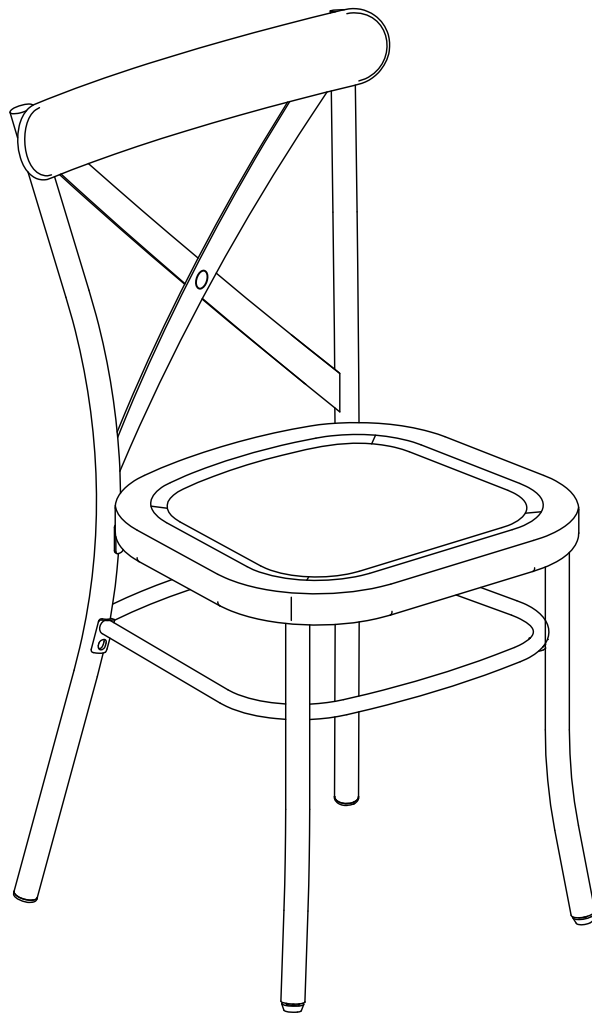
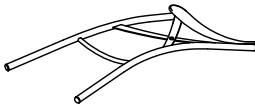





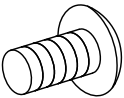



Dining Chair



PART LIST

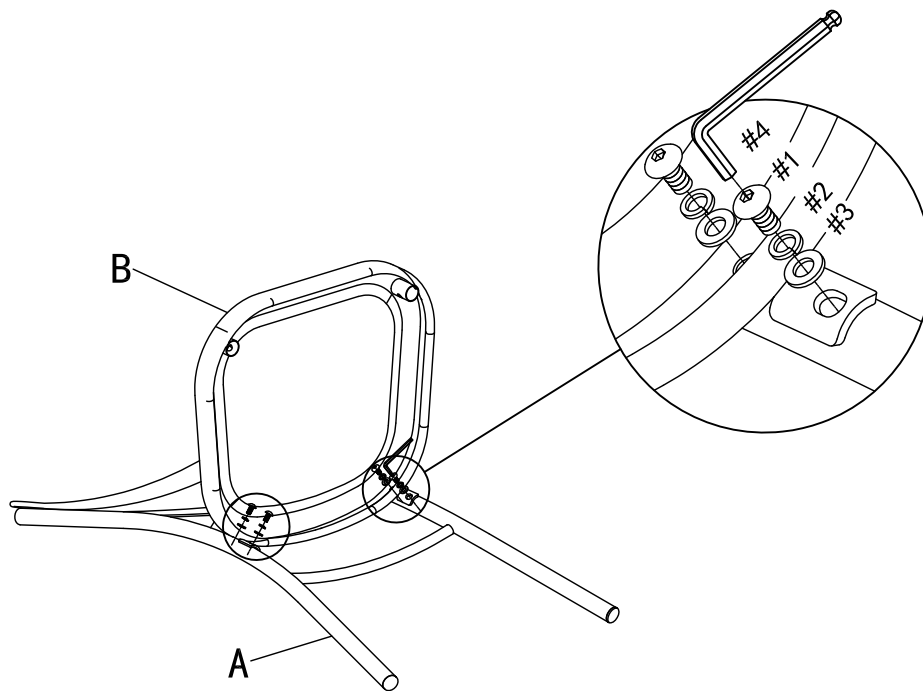
<div data-bbox="129 120 177 170" data-label="Text">A</div> 	<div data-bbox="397 120 445 170" data-label="Text">B</div> 	<div data-bbox="665 120 713 170" data-label="Text">C</div> 	<div data-bbox="933 120 981 170" data-label="Text">D</div> 
<p>Back 1 PC</p>	<p>Seat 1 PC</p>	<p>Stretcher 1 PC</p>	<p>Front Leg 2 PCS</p>





HARDWARE LIST

<div data-bbox="129 656 177 705" data-label="Text">#1</div>  <p>1/4"x5/8"L</p>	<div data-bbox="397 656 445 705" data-label="Text">#2</div>  <p>φ10.5xφ7.0x1.5</p>	<div data-bbox="665 656 713 705" data-label="Text">#3</div>  <p>φ16xφ7.0x1.5</p>	<div data-bbox="933 656 981 705" data-label="Text">#4</div>  <p>M4</p>
<p>Bolt 10 PCS (Extra 1)</p>	<p>Spring Washer 10 PCS (Extra 1)</p>	<p>Flat Washer 10 PCS (Extra 1)</p>	<p>Allen Wrench 1 PC</p>

Step 1. Lay back (part A) down on a soft flat surface, such as carpet. Attach seat (part B) to back (part A) using bolts (part #1), spring washers (part #2), flat washers (part #3) and allen wrench (part #4).

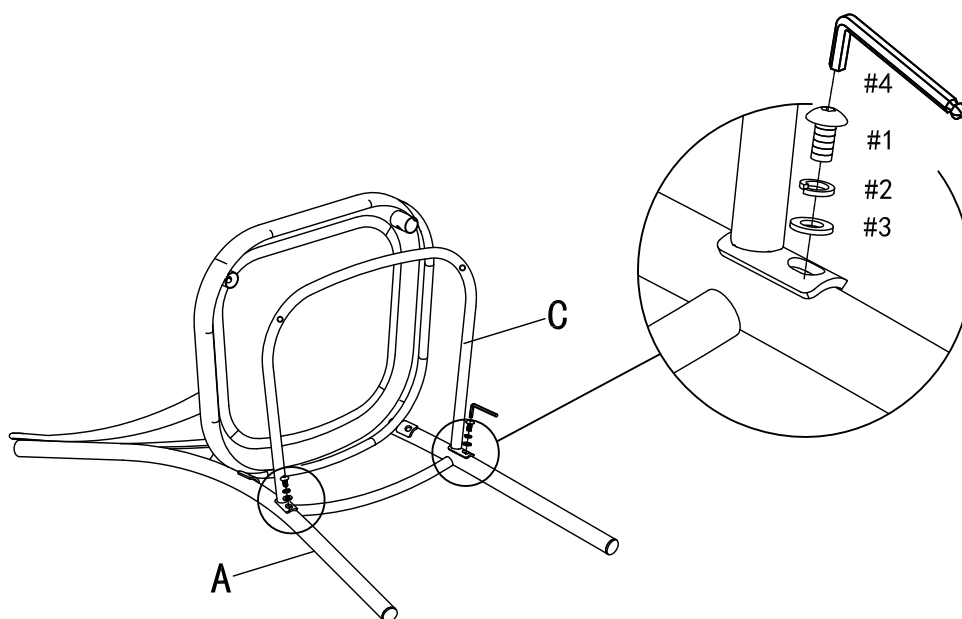
NOTE: Please do not fully tighten bolts until unit is fully assembled.







- #1  x 4
- #2  x 4
- #3  x 4
- #4  x 1

Step 2. Attach stretcher (part C) to back (part A) using bolts (part #1), spring washers (part #2), flat washers (part #3) and allen wrench (part #4).

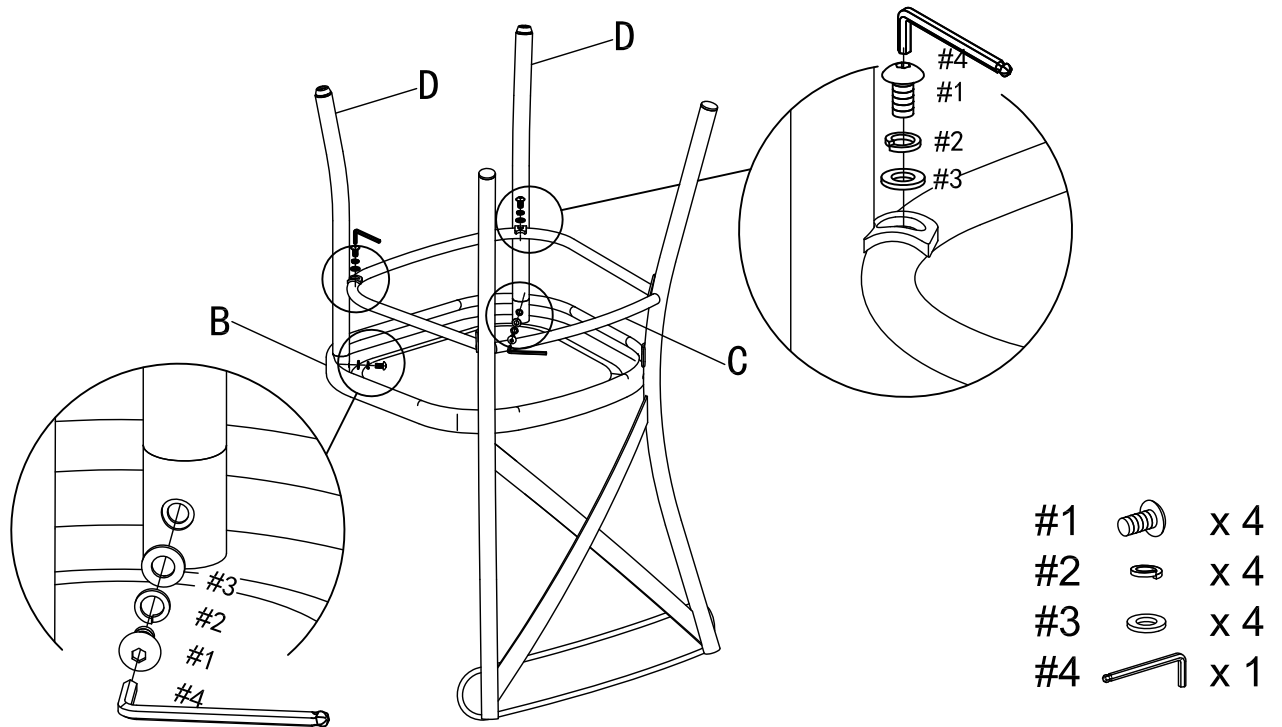
NOTE: Please do not fully tighten bolts until unit is fully assembled.



- #1  x 2
- #2  x 2
- #3  x 2
- #4  x 1

Step 3. Attach front legs (part D) to seat (part B) and stretcher (part C) using bolts (part #1), spring washers (part #2), flat washers (part #3) and allen wrench (part #4).

NOTE: Please fully tighten all bolts at this time.



Step 4. Carefully turn unit upright. Repeat steps 1-3 to assemble remaining chair.

