

# ASSEMBLY INSTRUCTIONS

## STEP 2: INSTALLING SHELF

Slide the SHELF (E) over the top of the BOTTOM POLES (A & B) onto the SLIP SLEEVES (I). Make sure that the SHELF (E) corner cylinders are positioned over the SLIP SLEEVES (I). Check to make sure the logo on the corner cylinders is right side up.

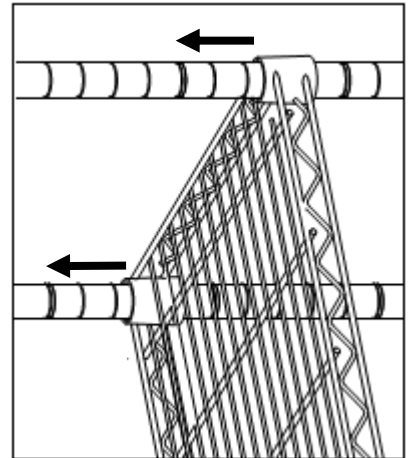


E (1)

Repeat this step for the second SHELF (E).

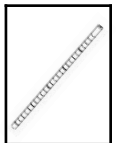
*\*Note: The level side of the SHELF is the TOP side (the logo on the corner cylinders should be right-side up.)*

*\*\*Use a rubber mallet, if needed, to secure the SHELVES (E).*



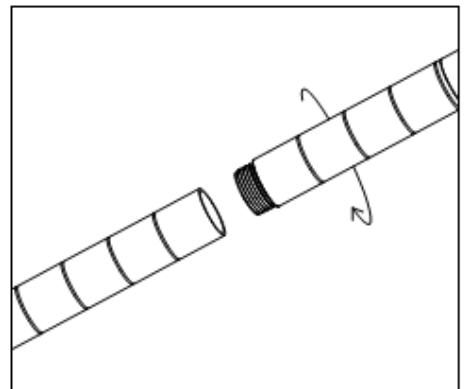
## STEP 3: INSTALLING TOP POLES

After the first 2 SHELVES (E) are in place, screw the TOP POLE (C) into the BACK BOTTOM POLE (B).



C (2)

The tops of the TOP POLE (C) are indicated by the BLACK END CAP.



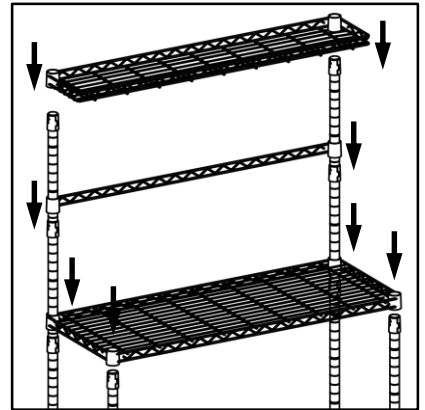
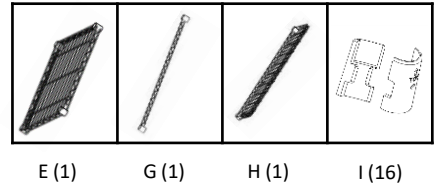
# ASSEMBLY INSTRUCTIONS

## STEP 4: INSTALLING SHELVES & HANGING BAR

Repeat Steps 2 and 3 for third SHELF (E), the HANGING BAR (G) and the CANTILEVER SHELF (H) and slide each piece over the SLIP SLEEVES (I).

Only install ONE item at a time.

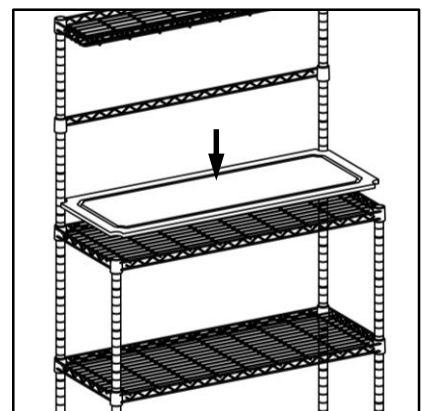
Adjust to desired height



## STEP 5: INSTALLING BAMBOO BOARD

Place the BAMBOO BOARD (D) on the third SHELF (E).  
Remove the BAMBOO BOARD (D) to clean thoroughly.

*Using mineral oil regularly will prevent your BAMBOO BOARD (D) from becoming dry and brittle.*



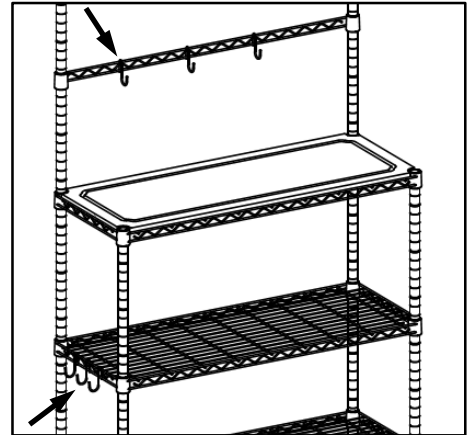
# ASSEMBLY INSTRUCTIONS

## STEP 6: INSTALLING HOOKS

Place the "S" HOOKS (F) onto the HANGING BAR (G) as desired. "S" HOOKS (F) can also be placed on the sides of the SHELVES (E).



F (6)



## STEP 7: FEET LEVELERS

The Feet Levelers are already screwed into the FRONT BOTTOM POLES (A) and BACK BOTTOM POLES (A) and you can adjust as needed to ensure your Shelving Rack is level.

