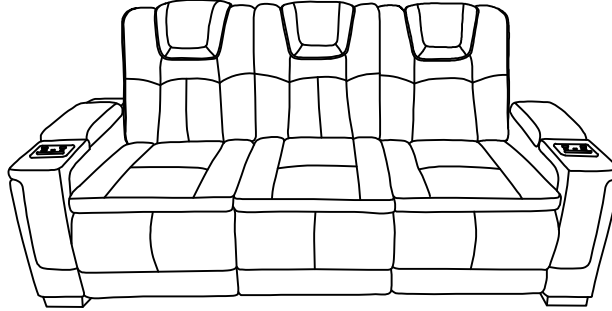


ASSEMBLY INSTRUCTIONS

SF-324S

Caution: Please read instructions thoroughly before unpacking assembly parts.
 Sharp, exposed staple tips can cause injury, therefore, for your protection, please remove any exposed staple used in packing



PARTS LIST:

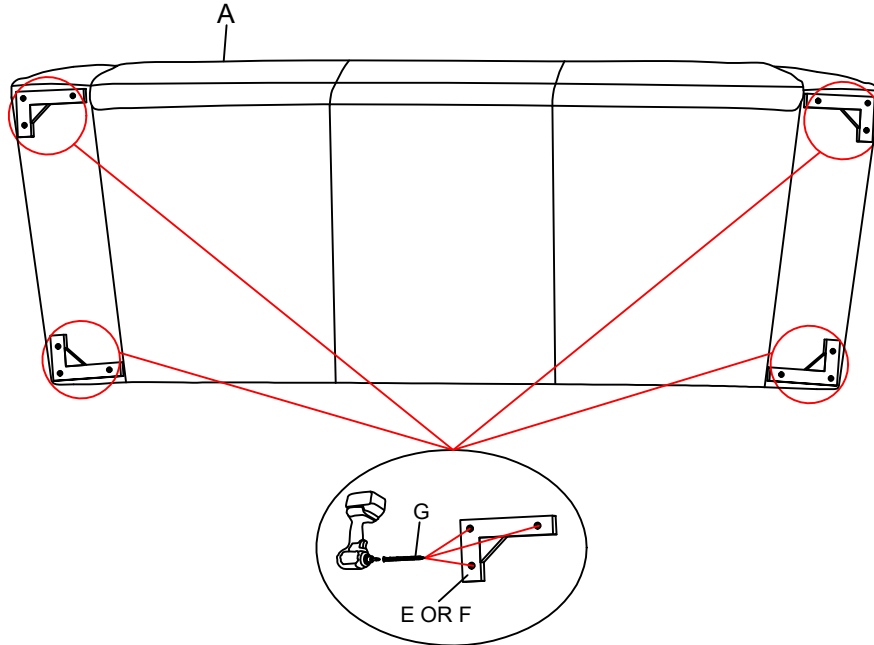
NO.	DESCRIPTION	SKETCH	LOCATED IN	QTY	NO.	DESCRIPTION	SKETCH	LOCATED IN	QTY
A	SOFA BODY		BOX 1 OF 1	1PC	E	LEFT LEGS		BOX 1 OF 1	2PCS
B	BACK REST		BOX 1 OF 1	2PCS	F	RIGHT LEGS		BOX 1 OF 1	2PCS
C	MIDDLE BACK REST		BOX 1 OF 1	1PC	G	SCREW M5X55MM		BOX 1 OF 1	12PCS
D	ADAPTER		BOX 1 OF 1	1PC		NOT INCLUDED			

Assembly Tips:

- Identify all parts and components are complete based on the list above
- This assembly may require additional help (2 person set up)
- Be careful when sliding down wings and backs to avoid ripping the material with the rails

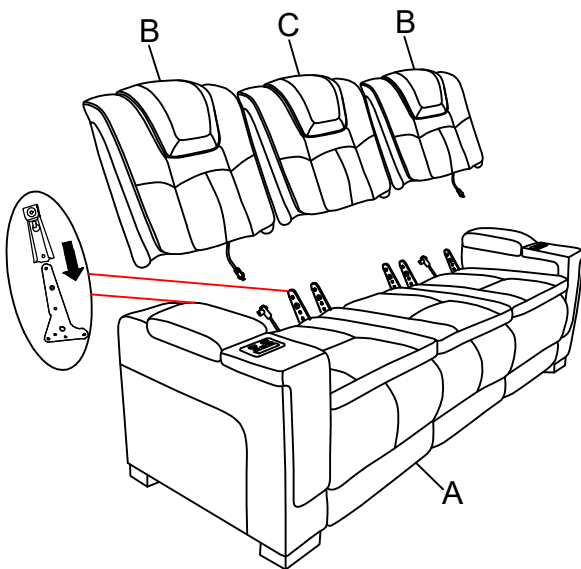
STEP 1

Screw legs (E) and (F) to Recliner body (A) as show below diagram .
Use screw driving machine to screw (G) to left legs (E)& right legs (F) to Sofa body (A) as show below diagram .



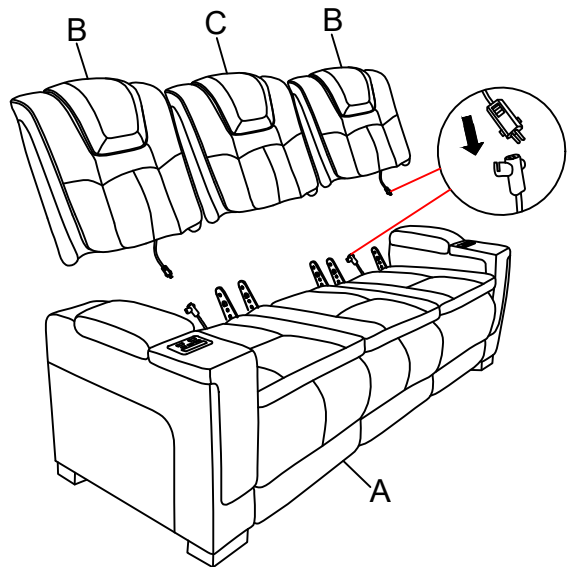
STEP 2

Install the BACK REST(B) and MIDDLE BACK REST (C) to the SOFA BODY (A)



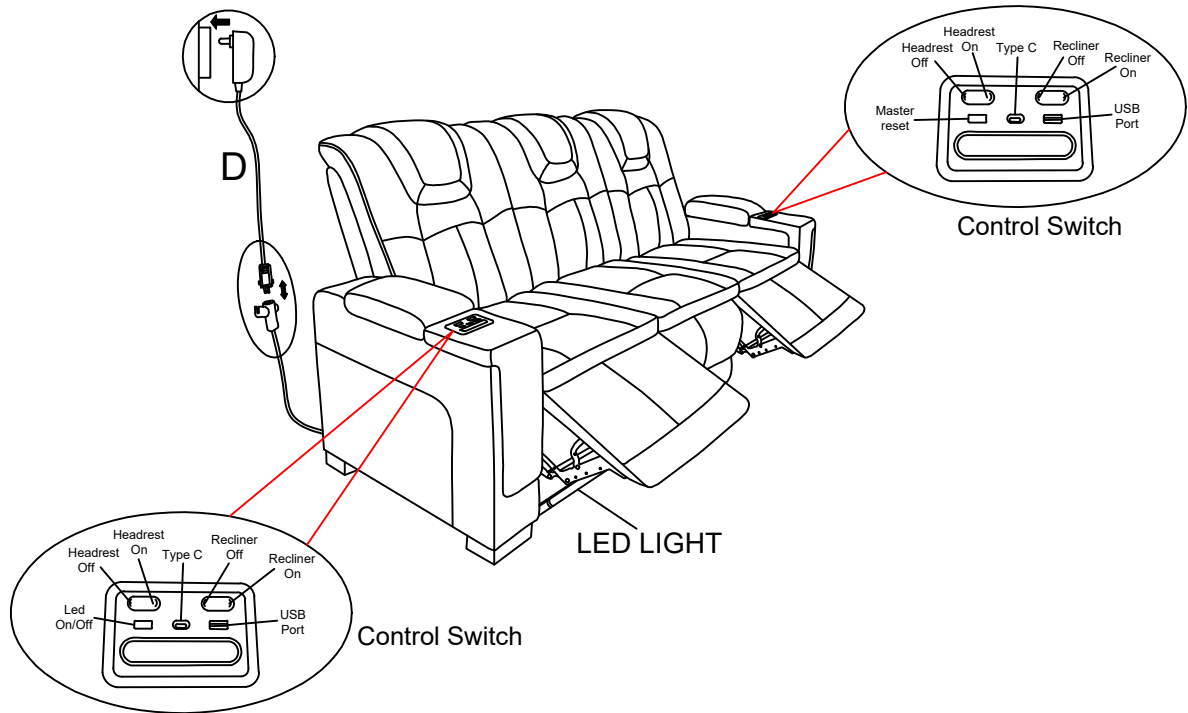
STEP 3

Align and connect the extension wire from the BACK REST(B) to the back of SOFA BODY (A)



STEP 4

Connect the extension wire of the Adapter (D) to the wires on the back of SOFA BODY (A). Plug the ADAPTER (C) into the wall outlet. Press the button on control switch to adjust the Recliner.



STEP 5

Plug the extension wire of the back of the middle seat into the wall outlet. Pull out the top of the MIDDLE BACK REST (C). Press the button on the Receptacle outlet to open/close and use the outlet, USB port. Touch the Reading Light to turn on/ off the Light.

