

HAPPINESS INSTALLATION



CAUTION

Parts are placed at the bottom of the product.

- If you have any questions with the product, please contact us by:
- **Email: customerservice@zoy-living.com**
(we will reply to you within 24 hours)

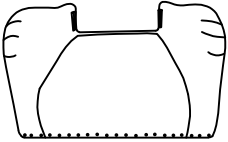
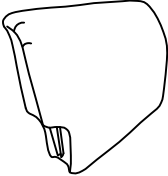

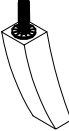
006R

Your recliner comes packaged in one box. Carefully remove all of components from the packaging and set aside for assembly.





CAUTION:

DO NOT use any sharp objects to open plastic wrapped components as damage to product or components may result.

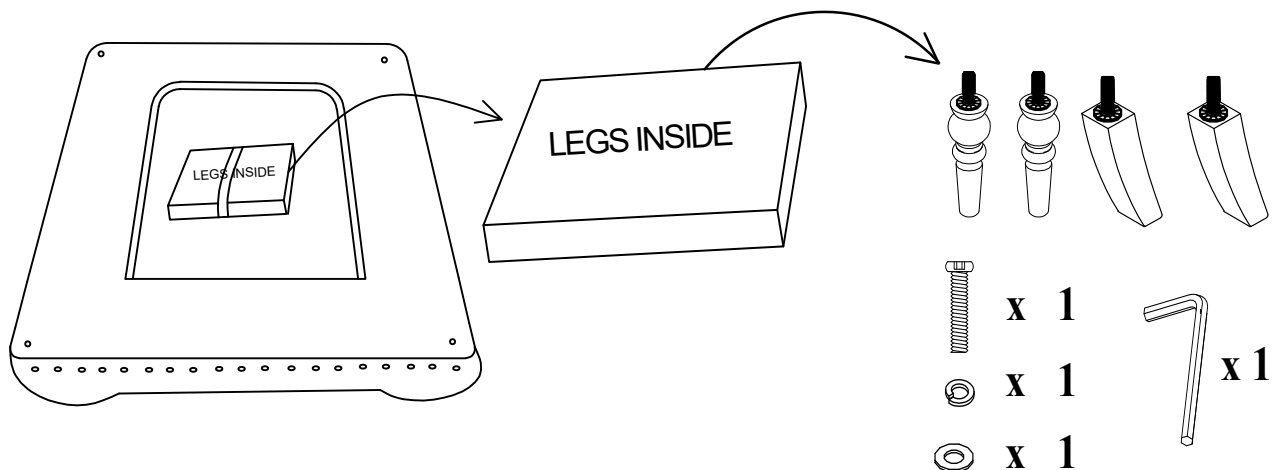
Package Contents

			
A*1 Chair frame	B*1 Chair backrest	C* 2 Front Legs	D* 2 Back Legs

HARDWARE LIST

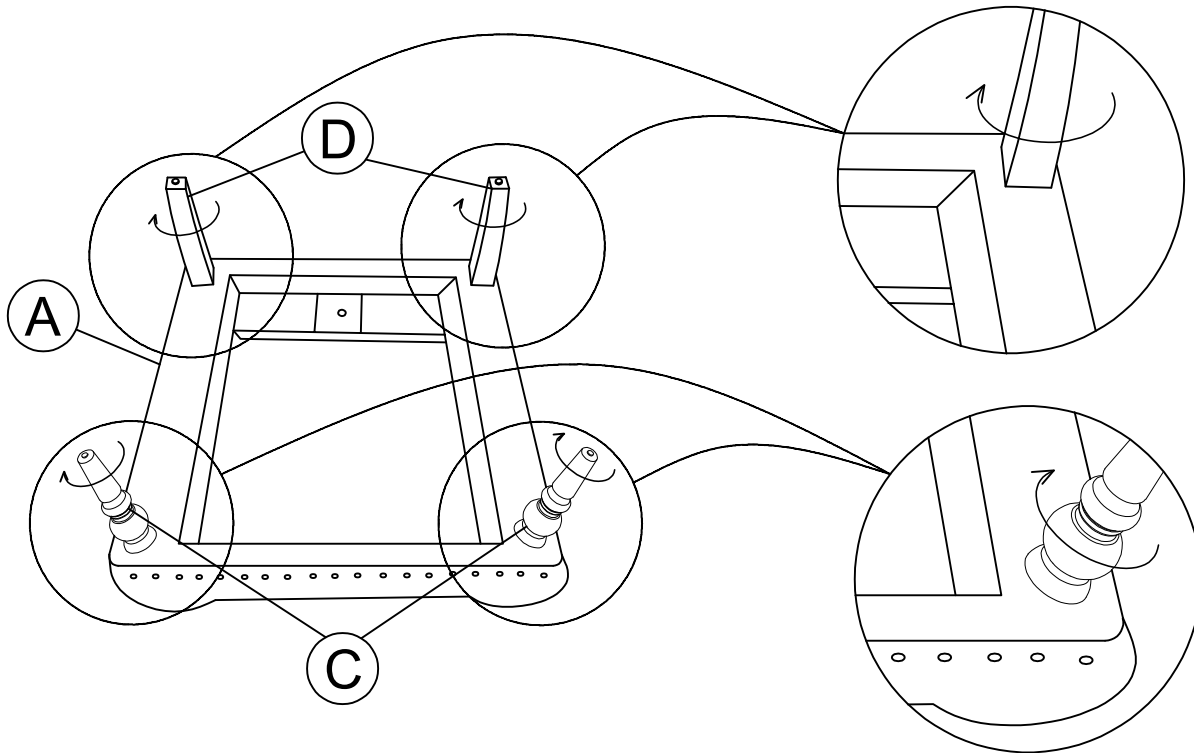
			
E*1 Bolt 5/16"*110mm	F*1 Lock Washer 5/16"*Ø13*1.5mm	G*1 Flat washer 5/16"*Ø22*2mm	H*1 Allen Wrench M5*70*30mm

Step 1: Locate parts & hardware from chair bottom

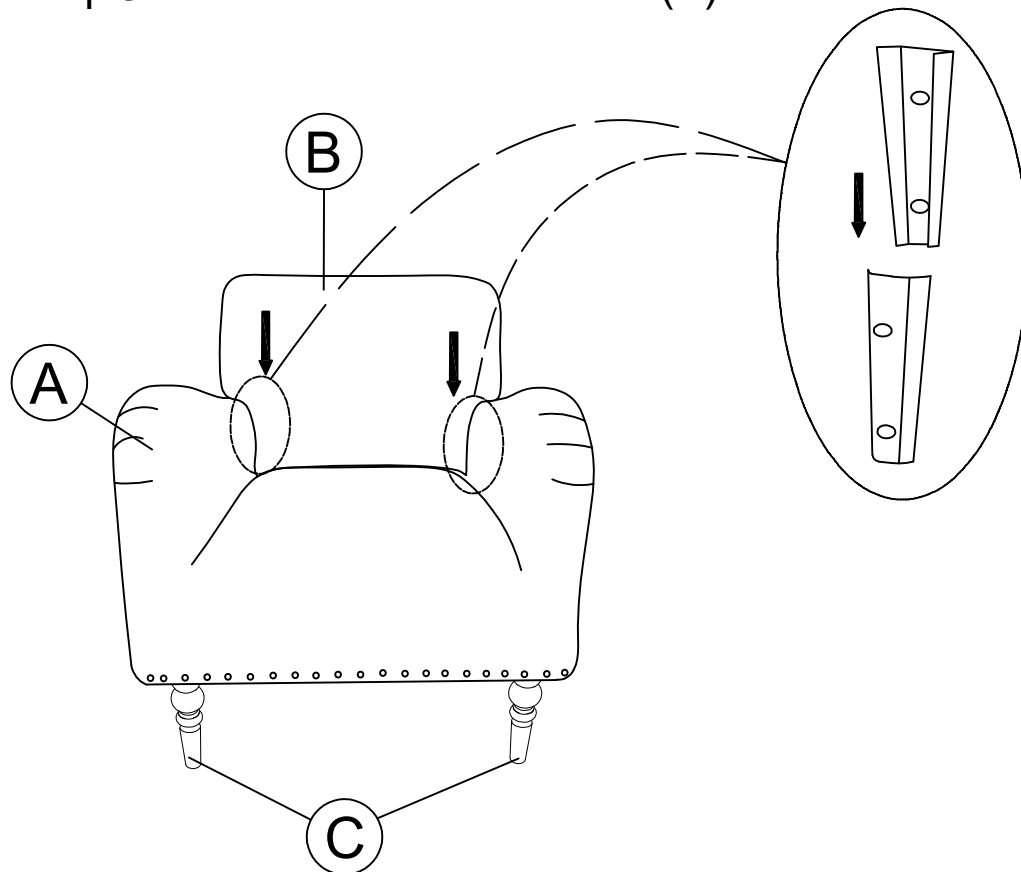


.....

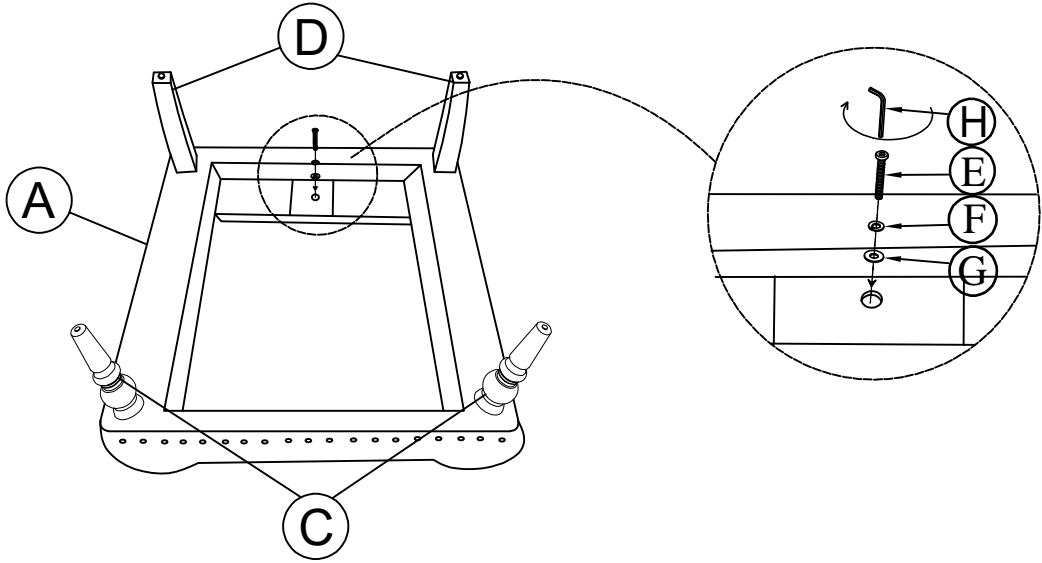
Step 2: Install the legs (C) and (D) into the chair frame (A).



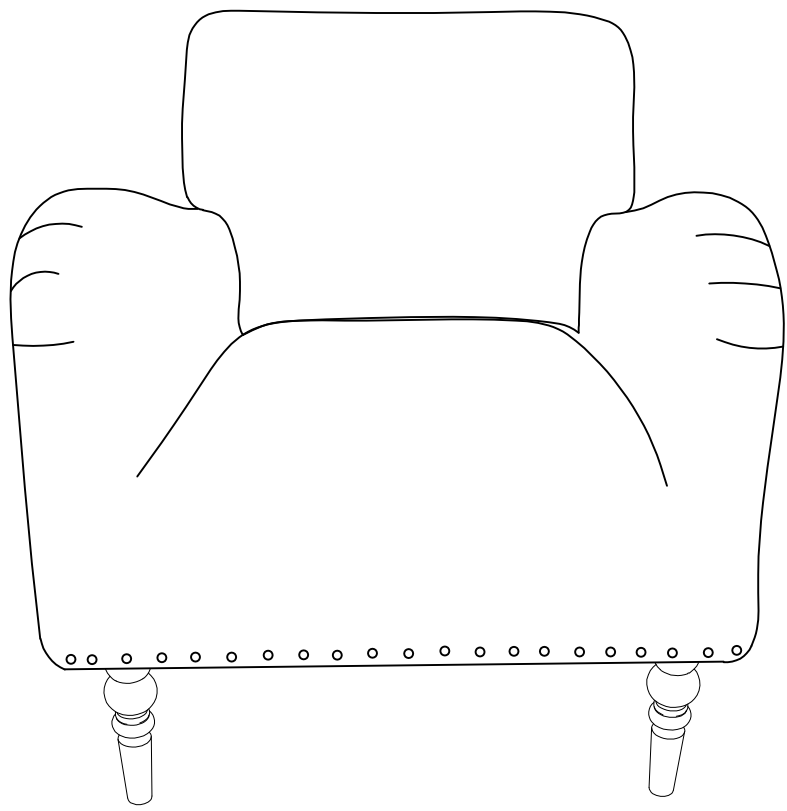
Step 3: Install the chair backrest (B) into the chair frame (A).

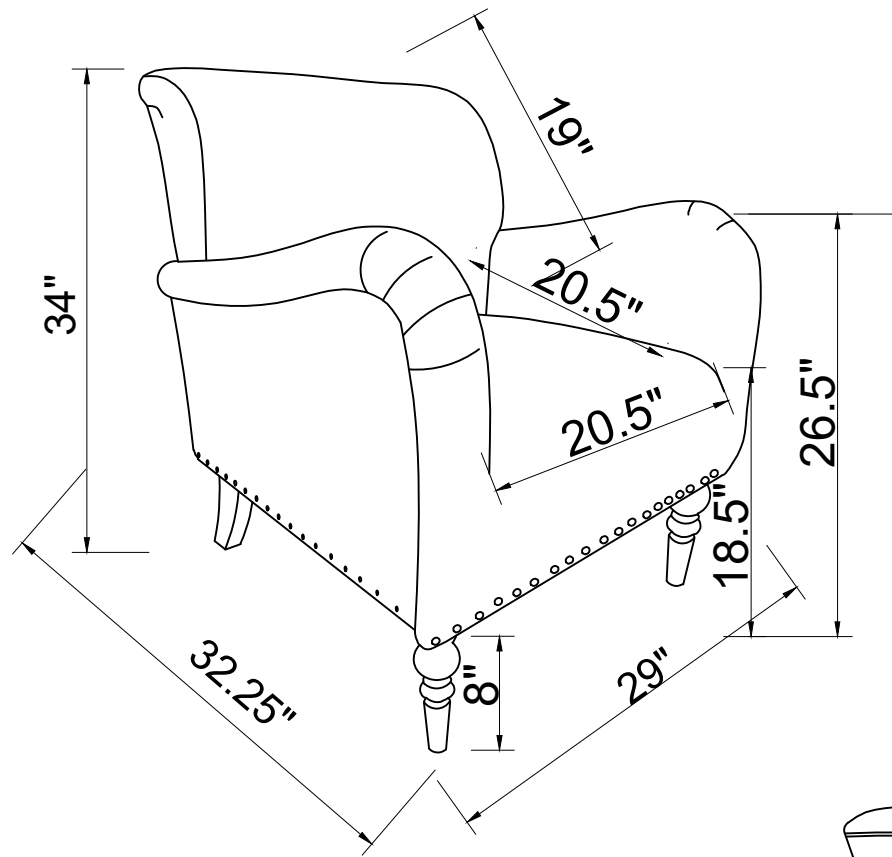


.....
Step 4: Flip the chair 180 degrees and tighten the bolt between the chair frame (A) and chair backrest (B)



Step 5: Flip the chair 180 degrees to complete assembly.

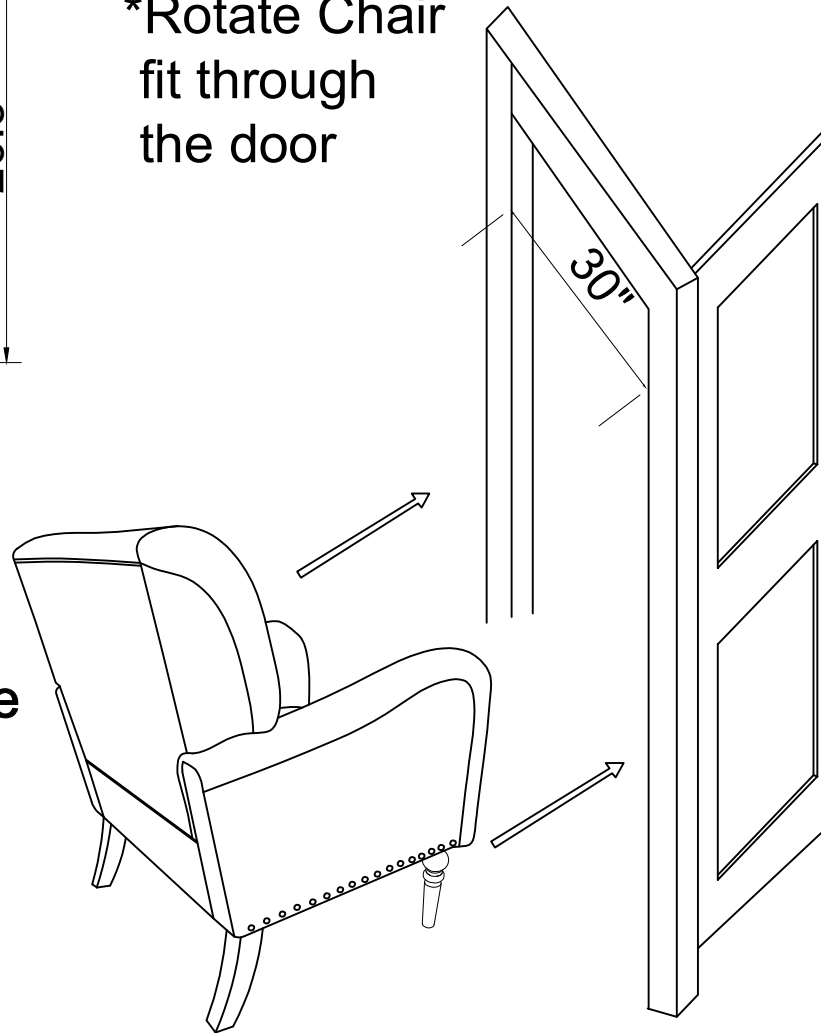




*Rotate Chair
fit through
the door

Minimum
Doorframe
Width 30"

Seat cushion
Seat Capacity : 330Lbs



Warnings

1. Please check if the components of the chair are all included and can be used normally.
2. Assemble all components according to the instruction correctly.
3. Please **DO NOT** sit on the armrests and footrest to eliminate the risk of tipping over.
4. If the sofa is damaged or doesn't match the website description, please send clear pictures of the product and label of the carton to our service team for further help.
5. If the chair still doesn't assembly, please feed the information back to our customer service in time and we'll help you solve the matter as soon as possible.
6. If you have any questions with the product, please contact us by:

Email: customerservice@zoy-living.com(we will reply to you within 24 hours)

