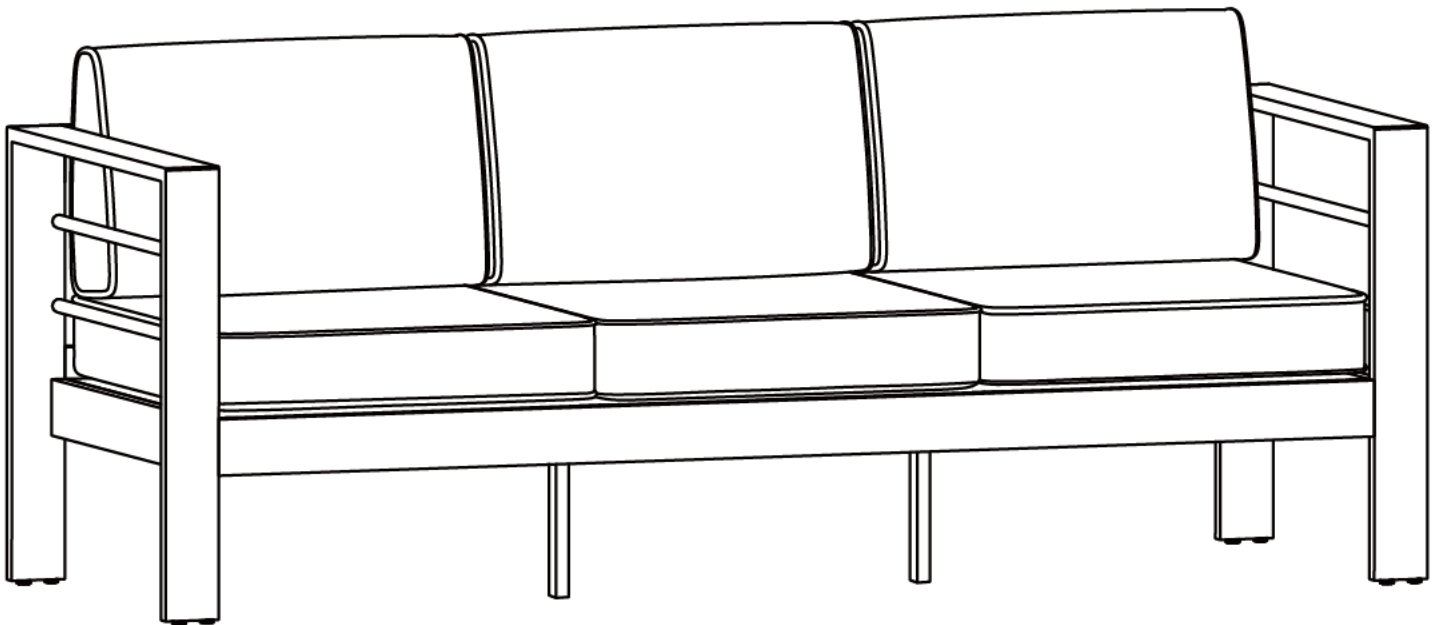


ALUMINUM 3-SEAT SOFA



NOTICE



Please keep these instructions for future reference.

Dear Customer

- Thank you for your purchase. When you receive the product, please make sure that all the parts are intact. Then follow the entire installation instructions to install!
- When installing, please be careful not to tighten the screws immediately! You need to make sure that all the screws are secured to 80%, then tighten them!
- In order to protect the aluminium frame from harm, and the screw hole from grind, do not use the electric drill, please use the manual screwdriver in the hardware package!

If problem occur unsatisfactorily as follows

- A** . The outer box is damaged
- B** . The product is damaged / bent / cracked while you open the box
- C** . The parts / accessories / assembly tools are missing
- D** . The instructions are not clear and can not be referred
- E** . The product has functional problems
- F** . Other aspects that you are not satisfied with

CARE INSTRUCTIONS

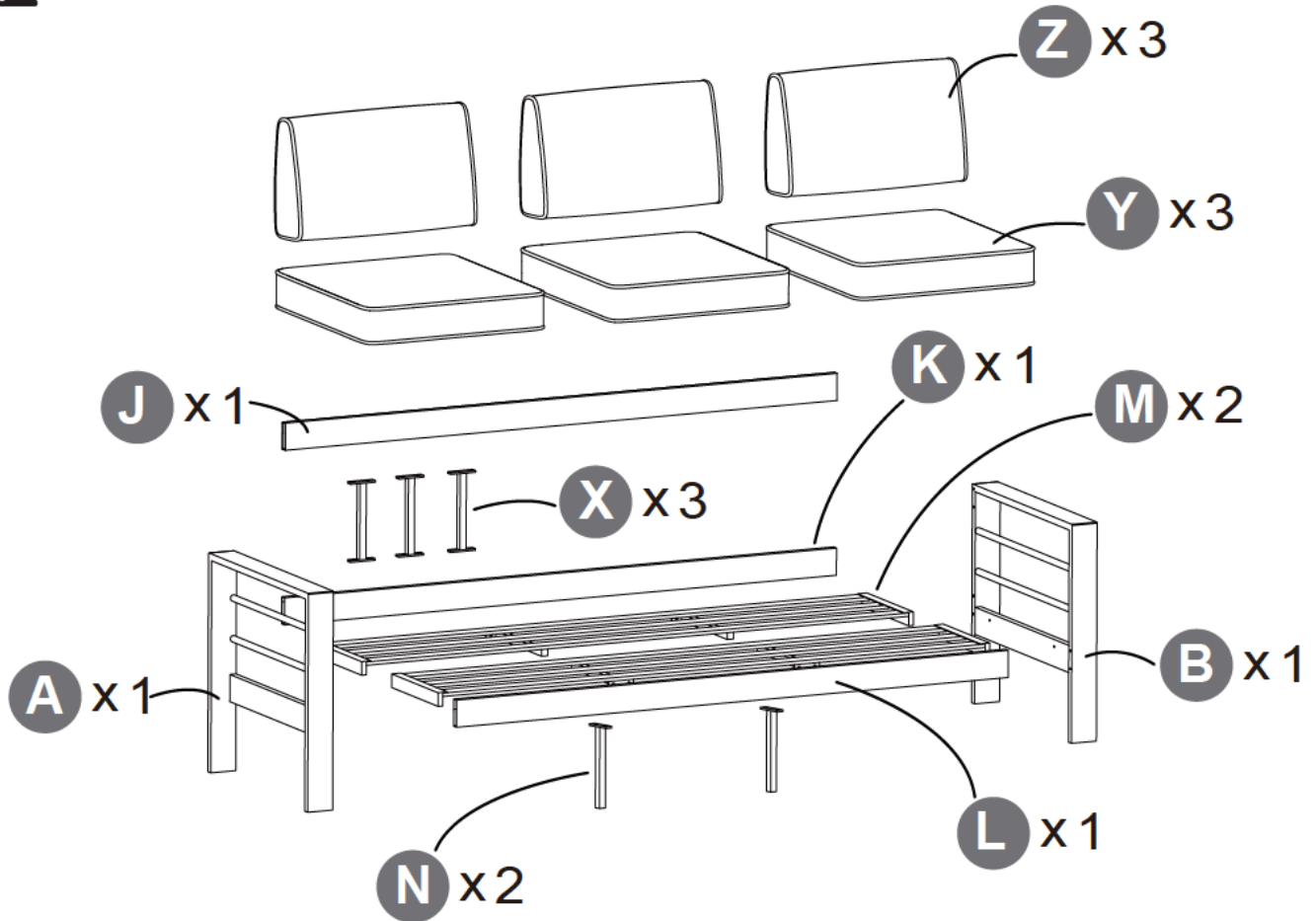
IMPORTANT! Always cover the conversation sets with the waterproof cover (**included**) when not in use, or you will get dirty surface.

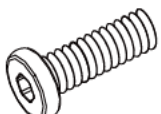
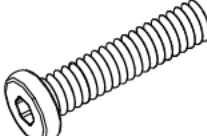

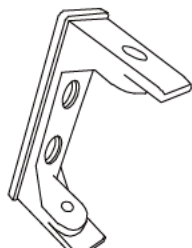
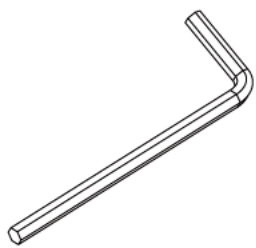

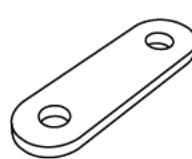
To clean the cushion cover, please take out the sponge inside. Follow the care instructions that are sewn into the fabric. Never use solvent-based detergents since these may bleach the material and damage the fabric.

To clean the aluminium frame, wipe them with clean water. It is not recommended to clean products with a strong cleaner or an abrasive materials, it may discolor or damage the surface.

STEP

! Before installation, please check that the parts are all included !



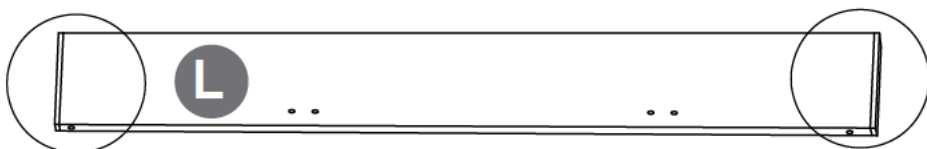
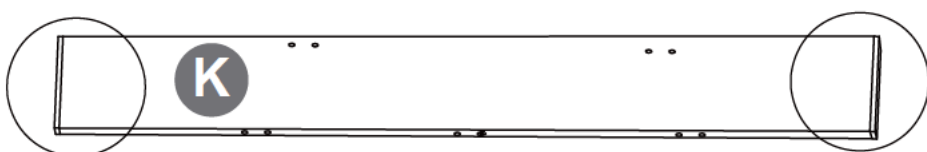
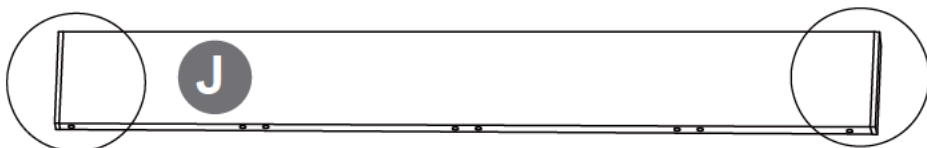
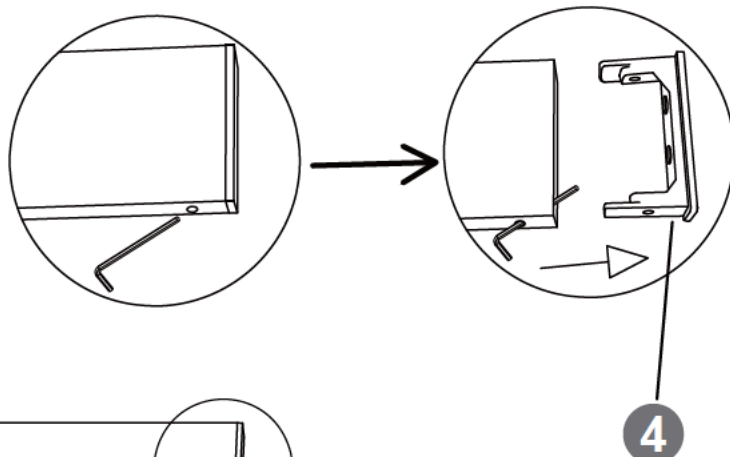
1  M6*20MM x 46	2  M6*38MM x 4	3  x 8	
4  x 6	5  x 1	6  Waterproof Cover x 1	7  x 2

STEP

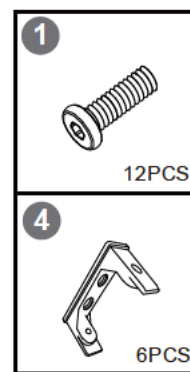
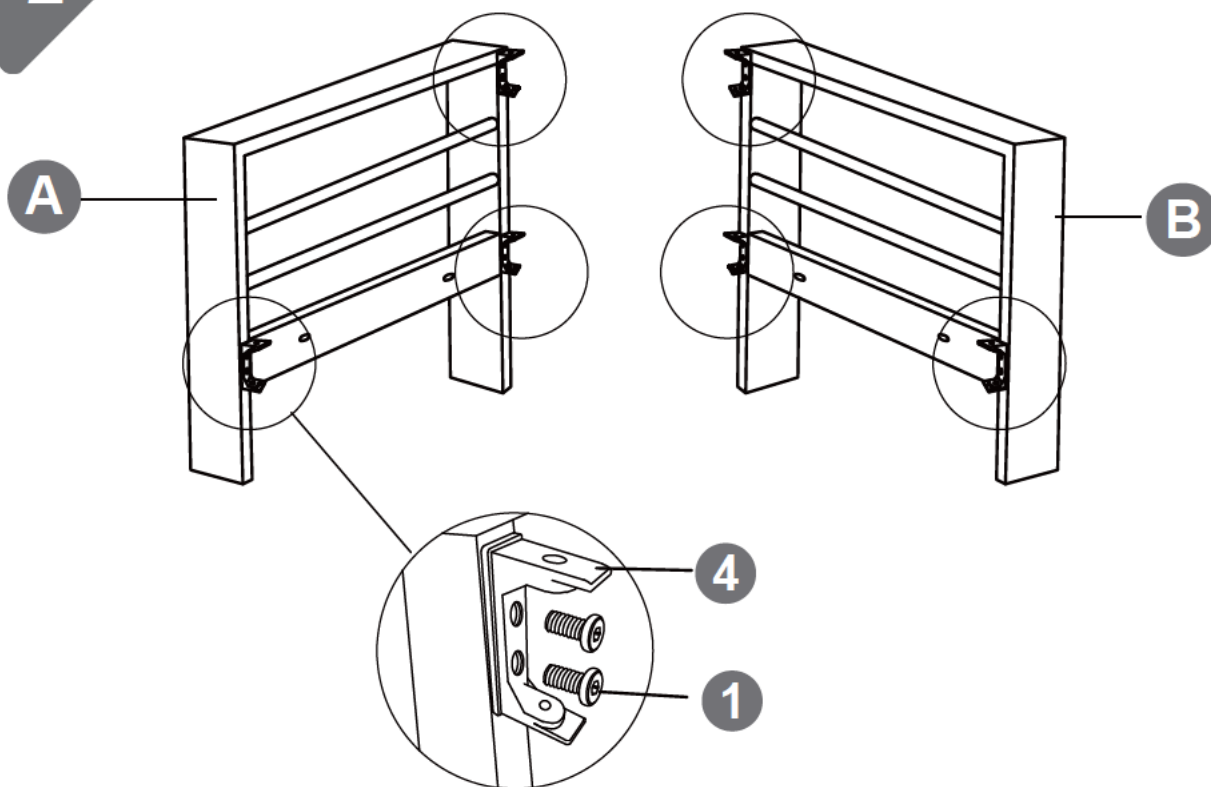
1

▲ Notice!

Please take out the PART #4 from the aluminum pipe frame, which will be used in the following steps.



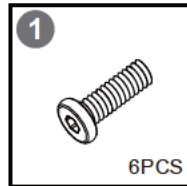
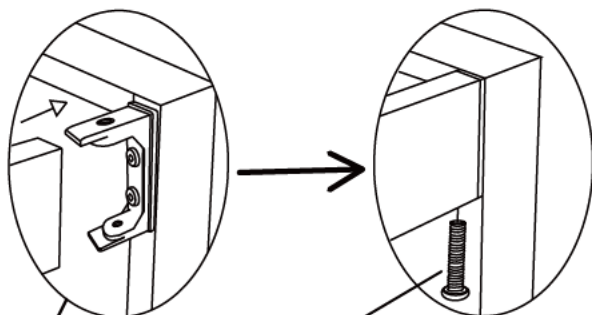
2



3

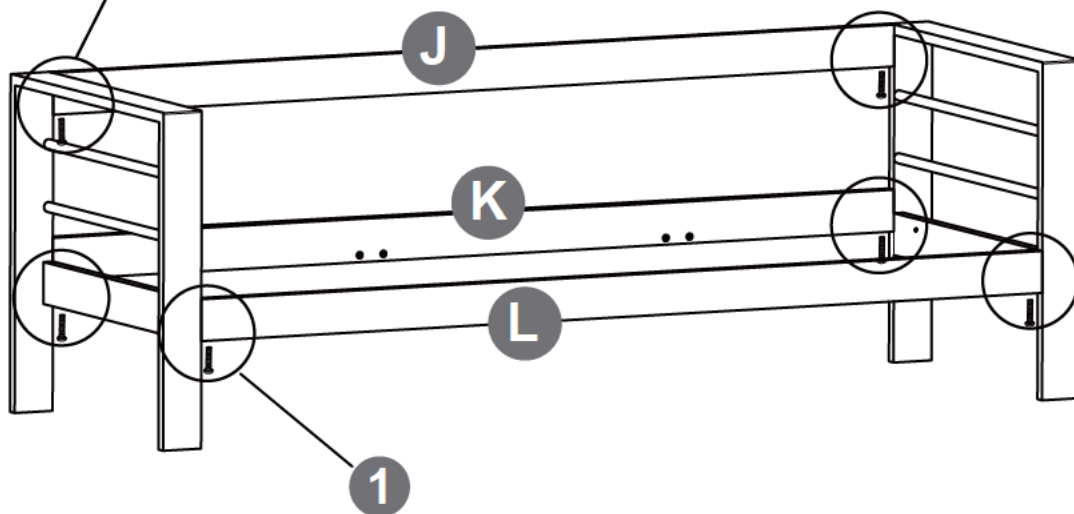
STEP

3

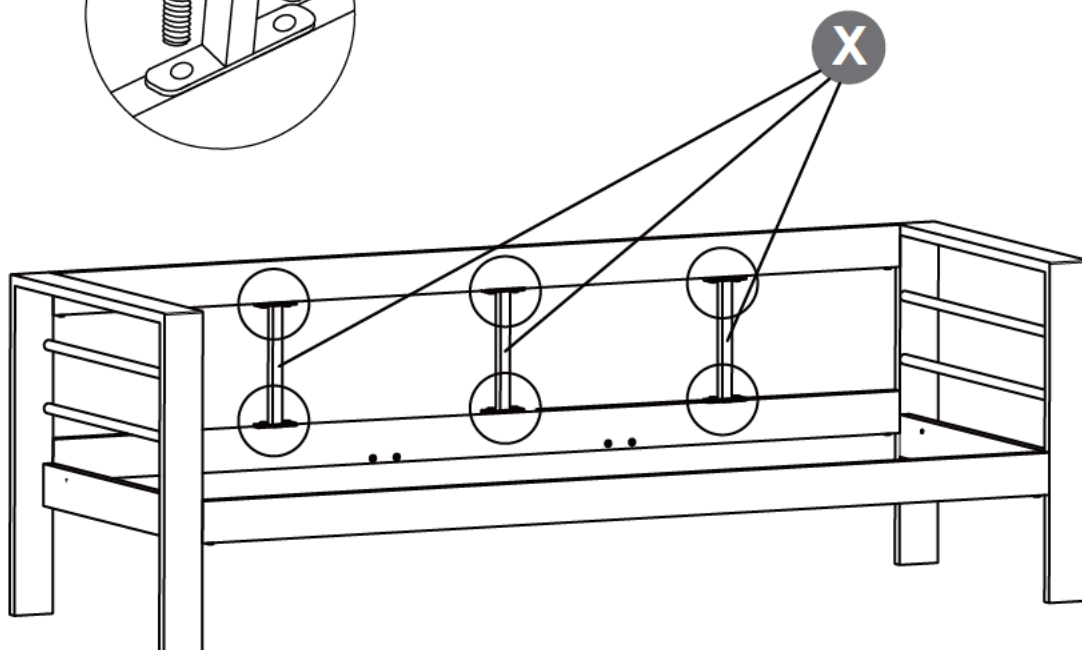
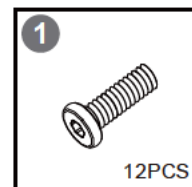
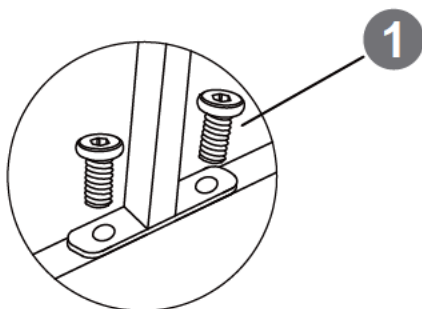


⚠ Notice!

When installing, please DO NOT to tighten the screws immediately! You need to make sure that all the screws are secured to 80%, then tighten them! (In order to aim all the screw holes)

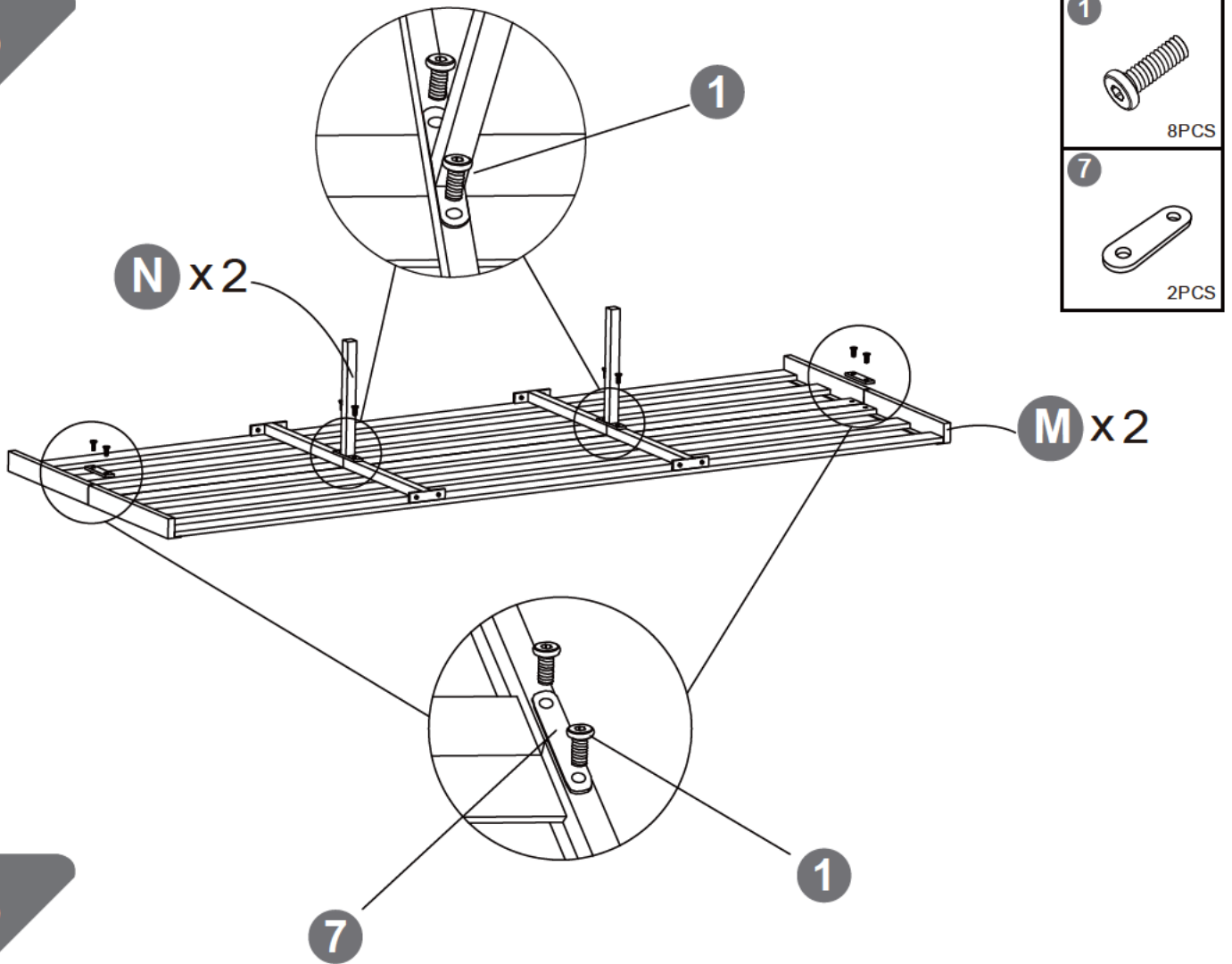


4

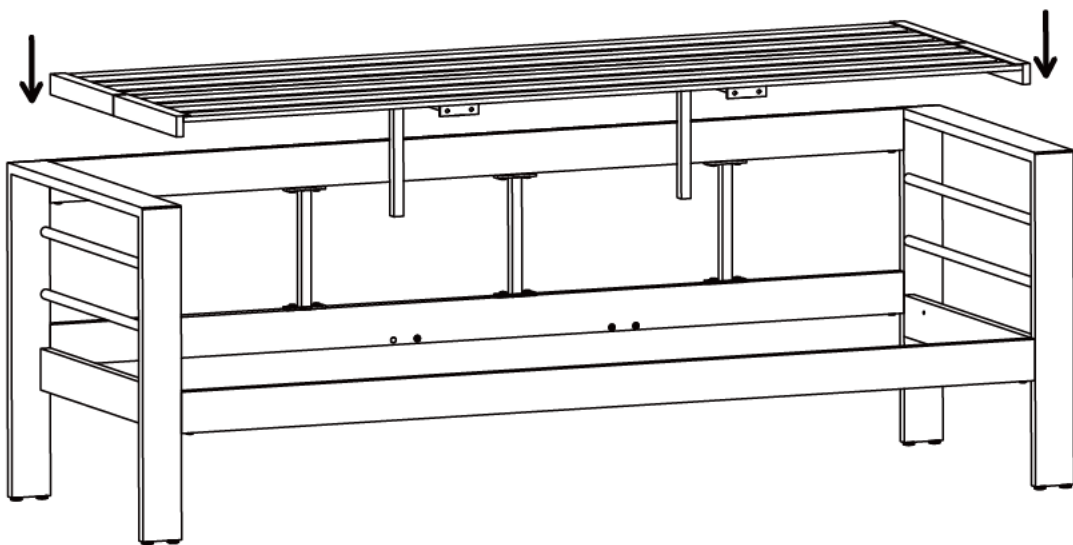


STEP

5



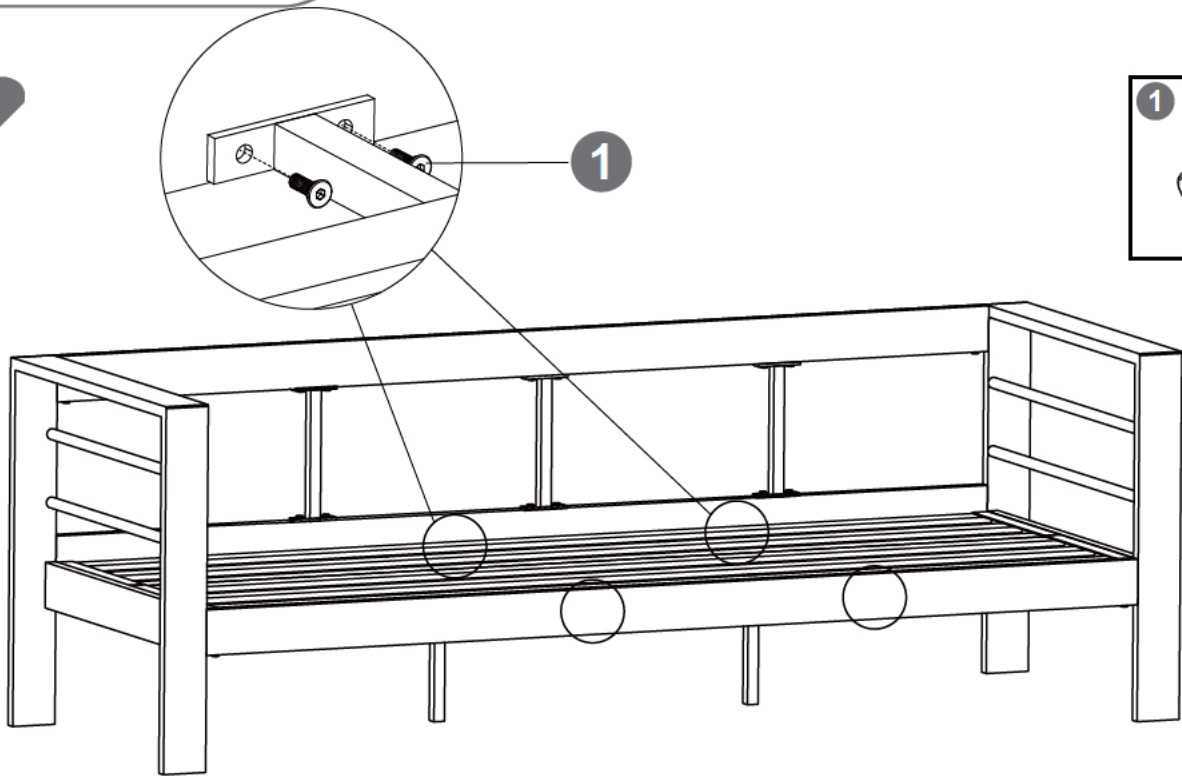
6



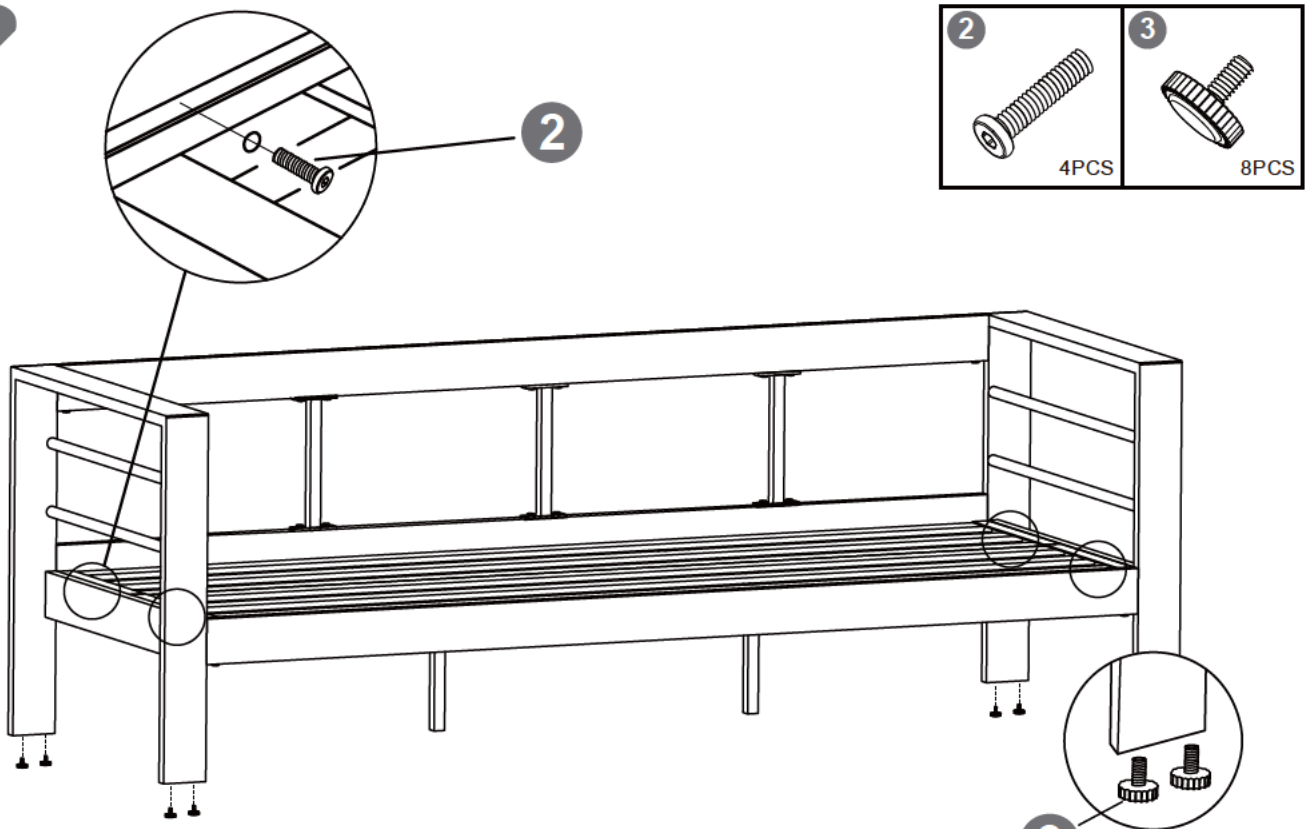
5

STEP

7



8



The installation is complete.
Make sure ALL the screws are fully tighten.

6