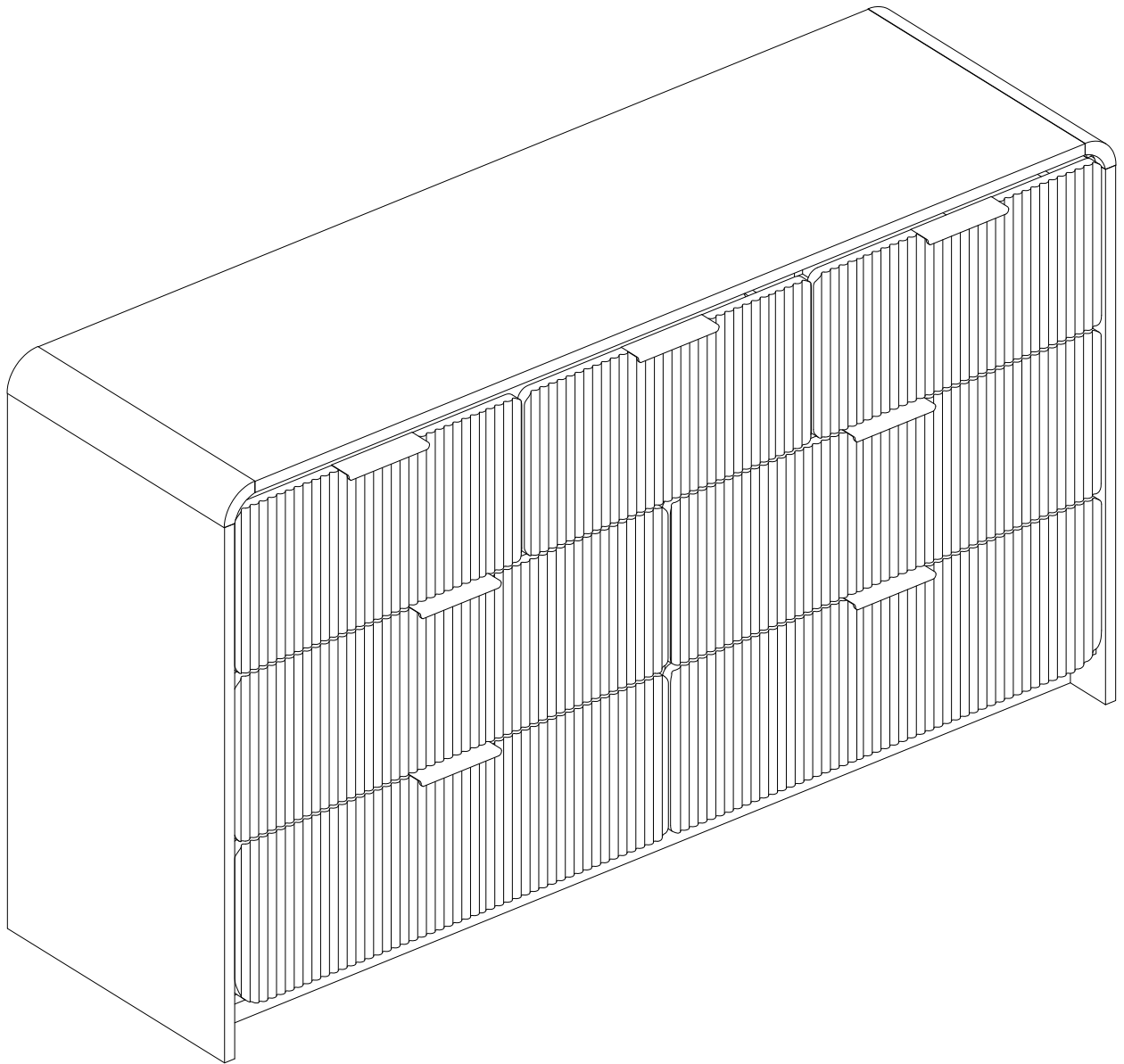


Assembly Instructions

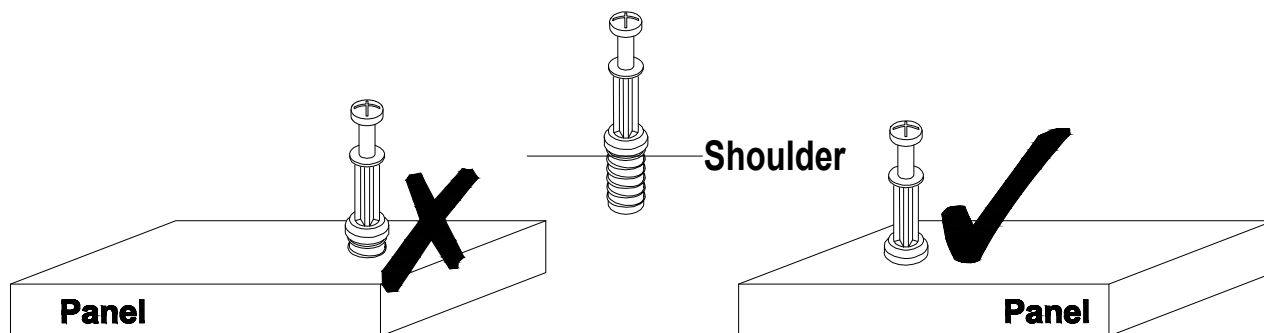


Before Assembly

Tips Before Your Start:

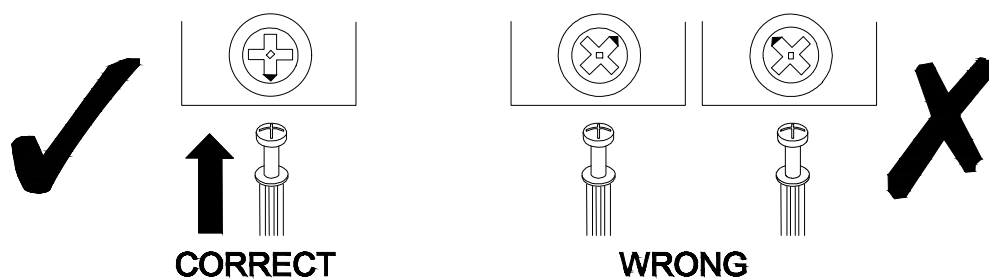
- Remove all wrapping material, including staples & packing straps before you start to assemble.
- DO NOT tighten all screws and bolts until the assembly is completely assembled.
- Keep all hardware parts out of reach of children.

QUICKFIT



Tighten quickfit until shoulder is flush with panel. Do not overtighten or undertighten.

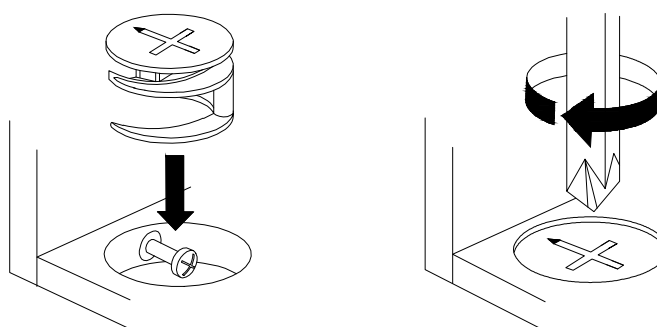
CAM LOCK



When fitting a cam lock, ensure the starting position is correct before inserting the connecting QUI CKFIT

Quickfit head should be in the centre of the cam lock when the two panels are joined.

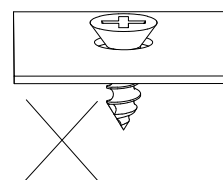
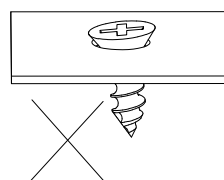
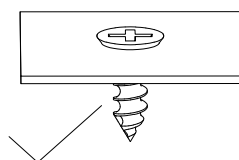
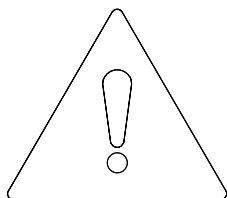
Cam lock should be inserted before quickfit.



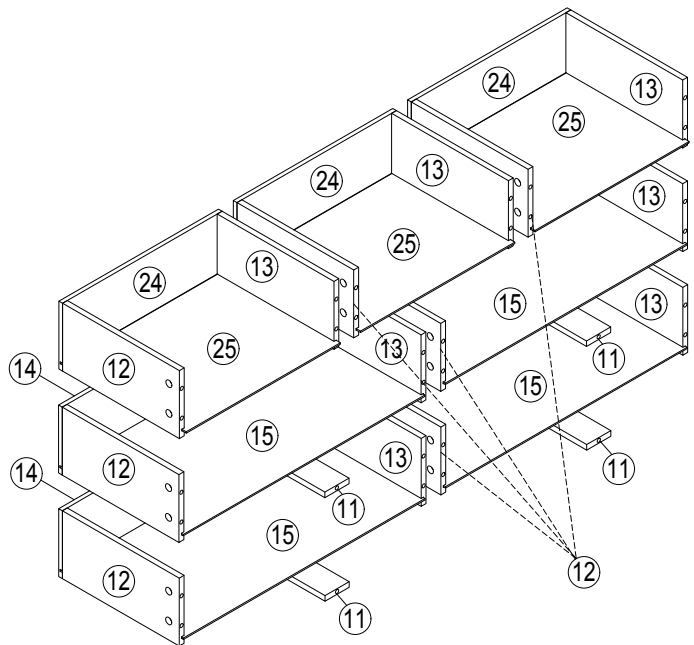
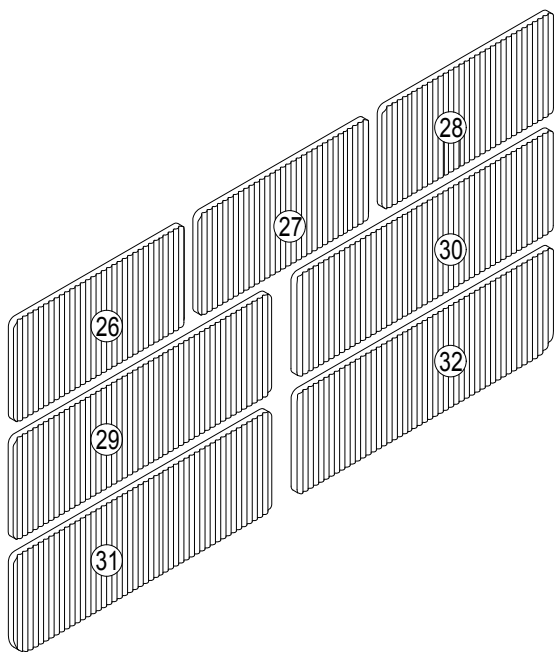
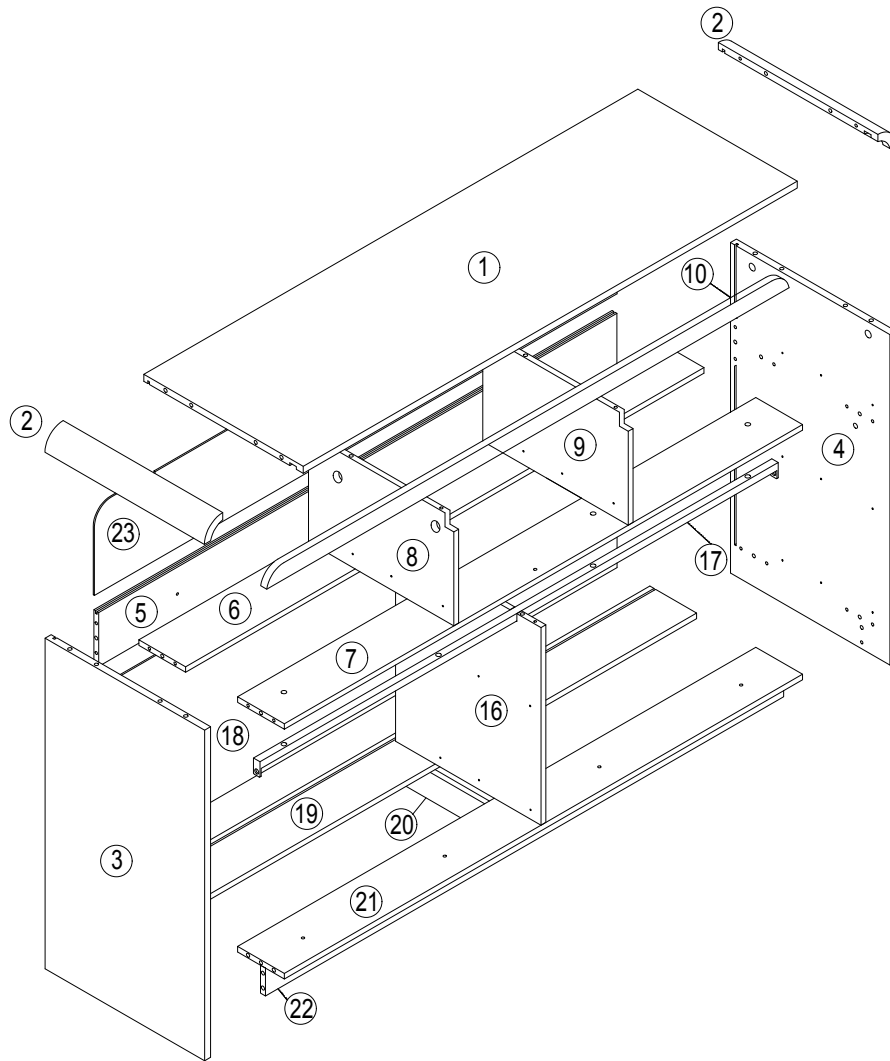
Turn cam lock clockwise to tighten.

SAFETY TIPS:Static charge may cause dust on foam - clean with a dry or damp cloth.Small foam strands may be present - handle gently and dispose of properly.Do not bur or incinerate. Check local recycling guidelines.

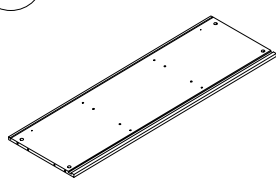
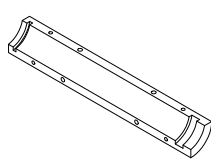
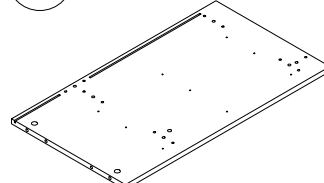
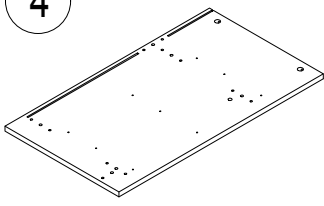
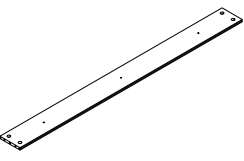
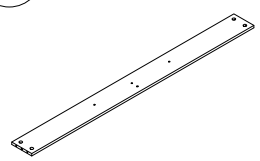

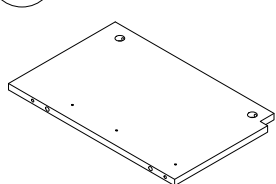
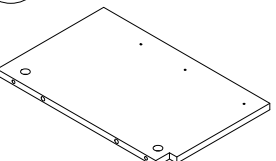
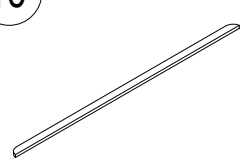
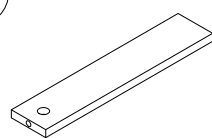
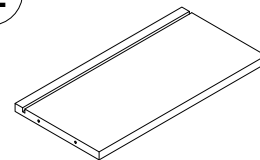
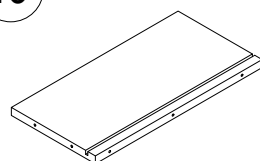
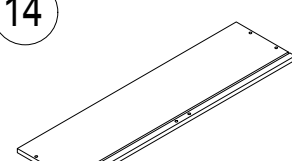
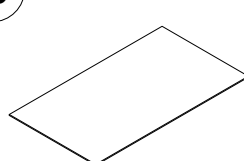
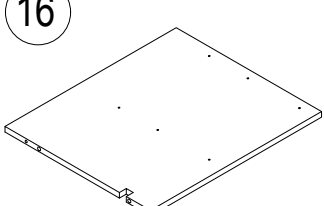
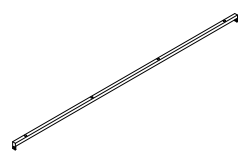
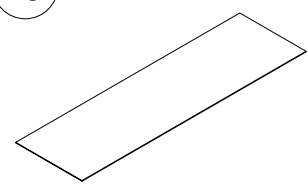
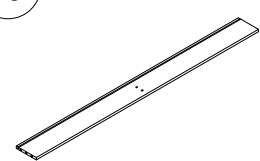
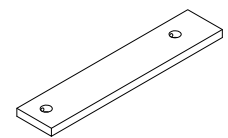
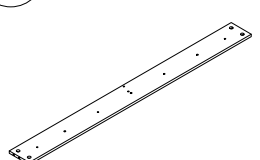
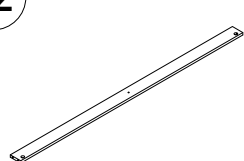
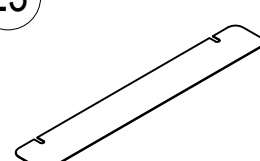
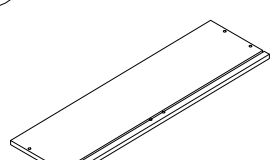
Please kindly note the following points when you assemble the sliders of the drawers



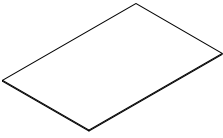
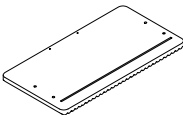
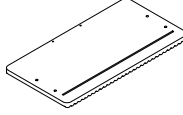
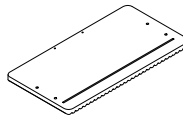
Product structure

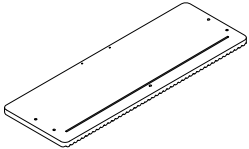
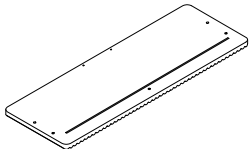
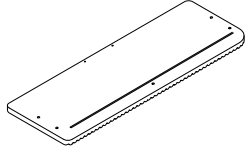
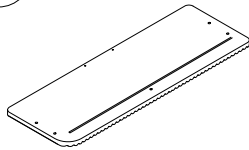


Parts-List

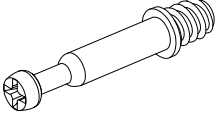


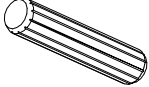
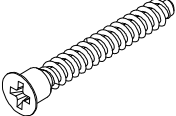
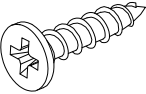
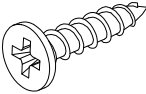
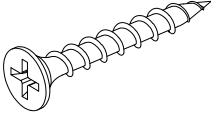
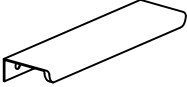
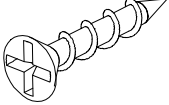
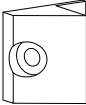

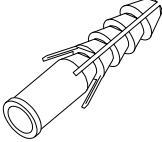
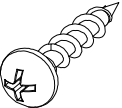
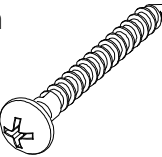
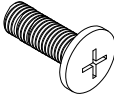
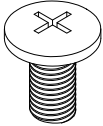
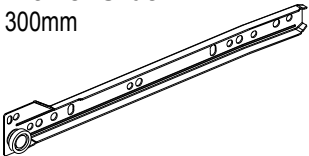
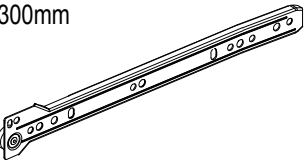
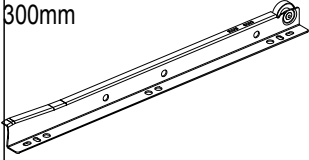
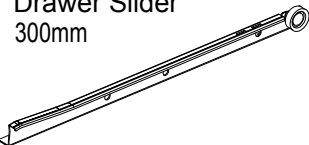
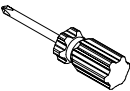
<p>1</p>  <p>1pc</p>	<p>2</p>  <p>2pcs</p>	<p>3</p>  <p>1pc</p>	<p>4</p>  <p>1pc</p>
<p>5</p>  <p>1pc</p>	<p>6</p>  <p>1pc</p>	<p>7</p>  <p>1pc</p>	<p>8</p>  <p>1pc</p>
<p>9</p>  <p>1pc</p>	<p>10</p>  <p>1pc</p>	<p>11</p>  <p>4pcs</p>	<p>12</p>  <p>7pcs</p>
<p>13</p>  <p>7pcs</p>	<p>14</p>  <p>4pcs</p>	<p>15</p>  <p>4pcs</p>	<p>16</p>  <p>1pc</p>
<p>17</p>  <p>1pc</p>	<p>18</p>  <p>1pc</p>	<p>19</p>  <p>1pc</p>	<p>20</p>  <p>1pc</p>
<p>21</p>  <p>1pc</p>	<p>22</p>  <p>1pc</p>	<p>23</p>  <p>1pc</p>	<p>24</p>  <p>3pcs</p>

Parts-List

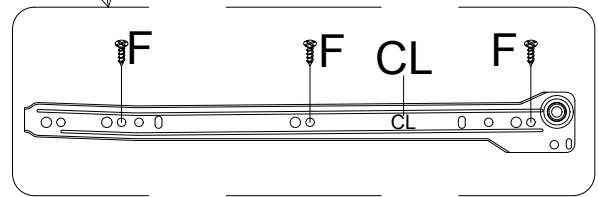
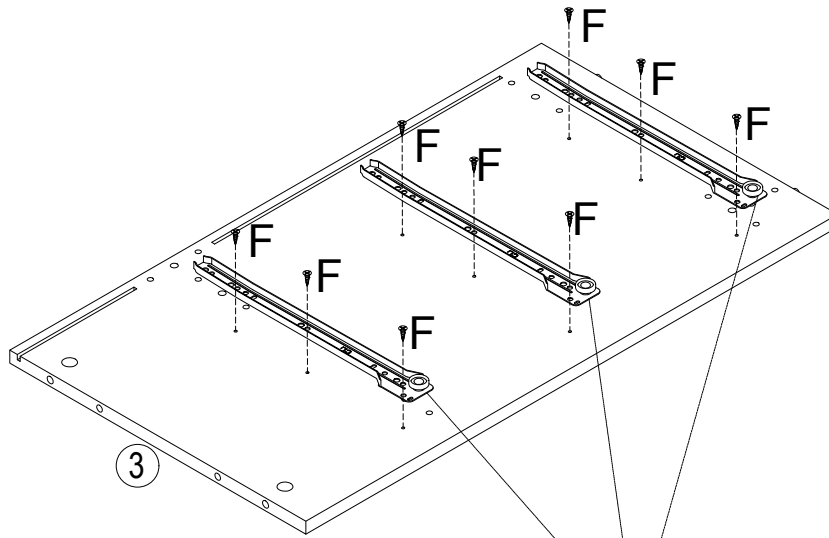
<p>25</p>  <p>3pcs</p>	<p>26</p>  <p>1pc</p>	<p>27</p>  <p>1pc</p>	<p>28</p>  <p>1pc</p>
---------------------------------------------------------------------------------------------------------	--------------------------------------------------------------------------------------------------------	---------------------------------------------------------------------------------------------------------	----------------------------------------------------------------------------------------------------------

<p>29</p>  <p>1pc</p>	<p>30</p>  <p>1pc</p>	<p>31</p>  <p>1pc</p>	<p>32</p>  <p>1pc</p>
--------------------------------------------------------------------------------------------------------	--------------------------------------------------------------------------------------------------------	---------------------------------------------------------------------------------------------------------	----------------------------------------------------------------------------------------------------------

Hardware List

<p>No. A Quantity: 68+2 PCS Cam Bolt ø6x33.5mm</p> 	<p>No. B Quantity: 68+2 PCS Cam ø15x9.5mm</p> 	<p>No. C Quantity: 68+2 PCS Sticker ø20mm</p> 	<p>No. D Quantity: 36+2 PCS Dowel ø6x30mm</p> 
<p>No. E Quantity: 16+1 PCS Screw ø5x48mm</p> 	<p>No. F Quantity: 84+2 PCS Screw ø3.5x12mm</p> 	<p>No. G Quantity: 14+1 PCS Screw ø3.5x12mm</p> 	<p>No. H Quantity: 36+1 PCS Screw ø4x30mm</p> 
<p>No. I Quantity: 7 PCS Screw L120mm</p> 	<p>No. J Quantity: 19+1PCS Screw ø3x16mm</p> 	<p>No. K Quantity: 19+1 PCS Back Buckle 15x15x10mm</p> 	<p>No. L Quantity: 2 PCS L-Shaped anti tipping iron bar 76x15x30mm</p> 
<p>No. M Quantity: 2 PCS Plastic Expansion ø8x40mm</p> 	<p>No. N Quantity: 2 PCS Screw ø4x12mm</p> 	<p>No. O Quantity: 2 PCS Screw ø4x38mm</p> 	<p>No. P Quantity: 4 PCS Bolt M6x25mm</p> 
<p>No. Q Quantity: 2 PCS Bolt M6x15mm</p> 	<p>No. CL Quantity: 7 PCS Drawer Slider 300mm</p> 	<p>No. CR Quantity: 7 PCS Drawer Slider 300mm</p> 	<p>No. DL Quantity: 7 PCS Drawer Slider 300mm</p> 
<p>No. DR Quantity: 7 PCS Drawer Slider 300mm</p> 	<p>No. R Quantity: 1 PC Screwdriver L=150mm</p> 		

STEP 1

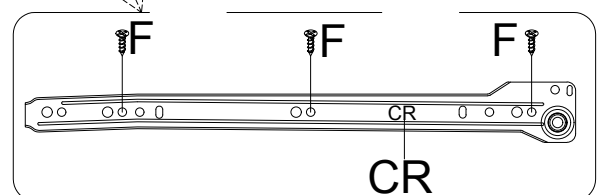
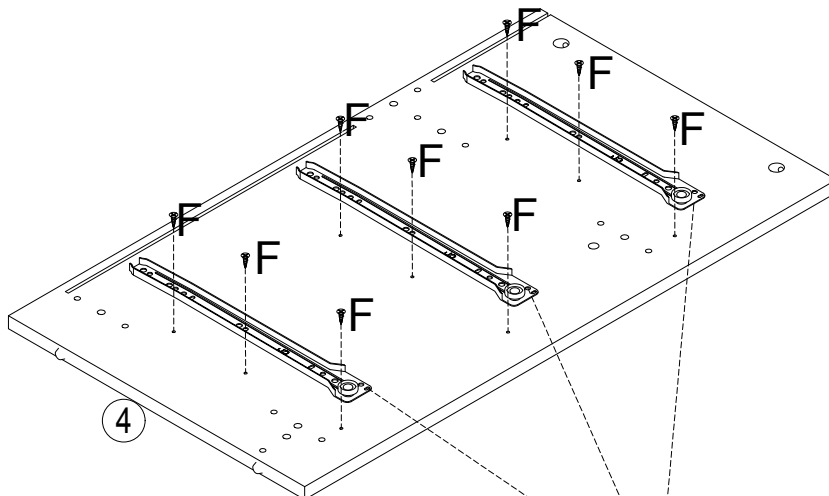


CL*3PCS



F*9PCS

STEP 2

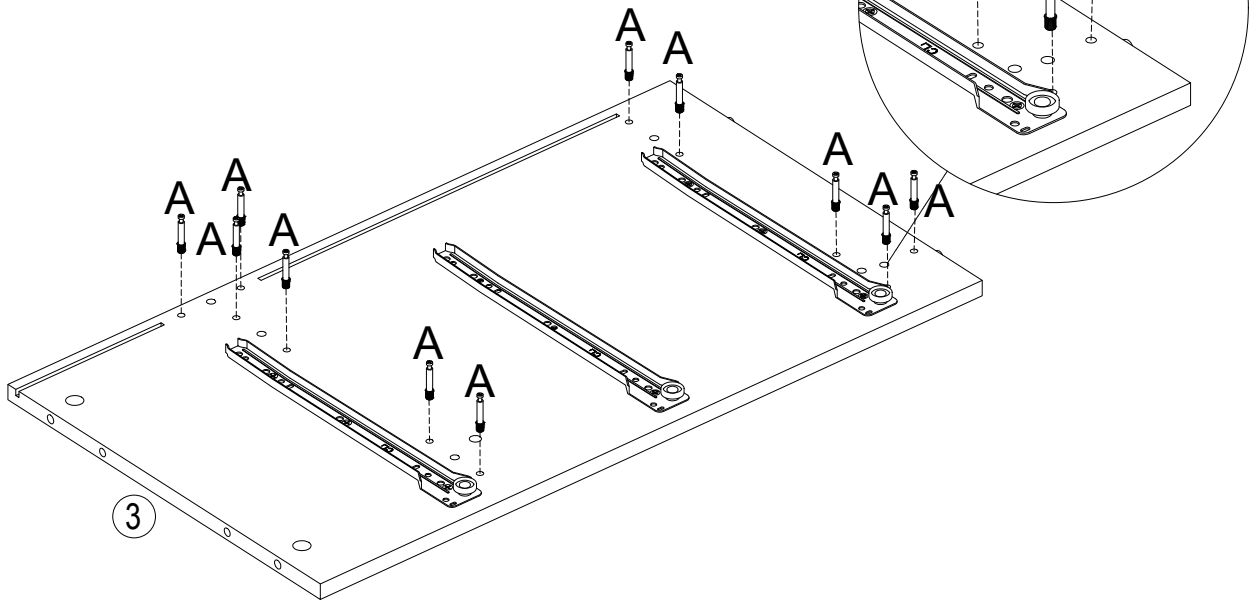


CR*3PCS

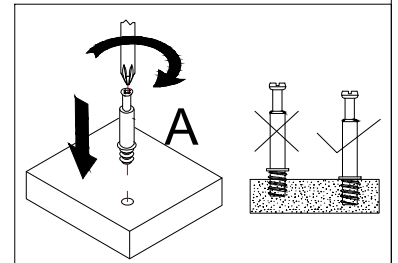


F*9PCS

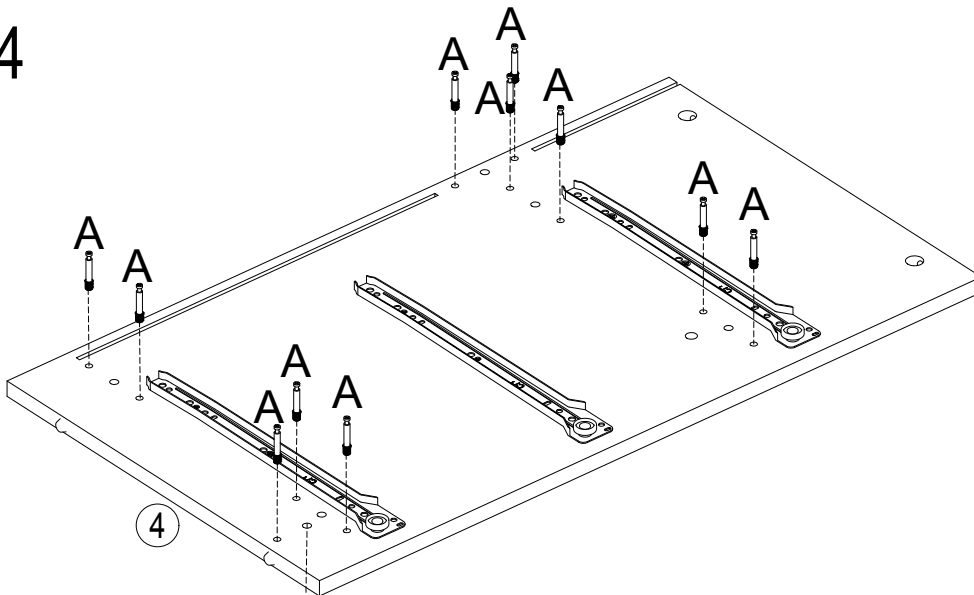
STEP 3



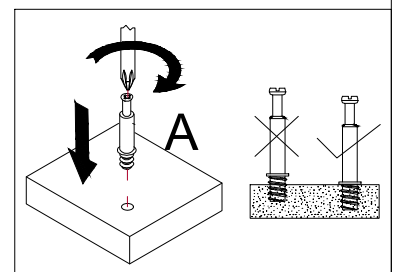
A*11PCS



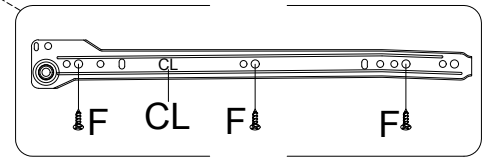
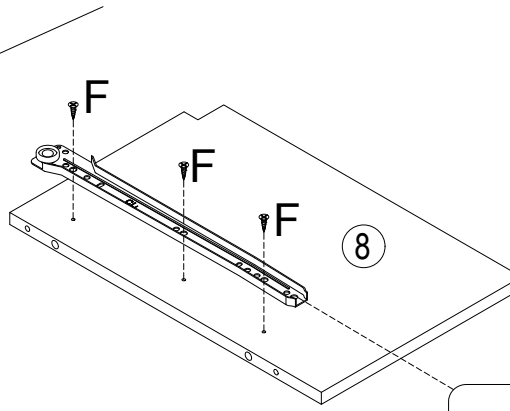
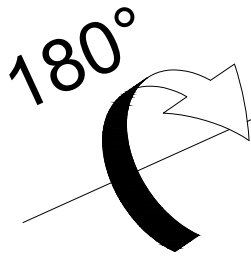
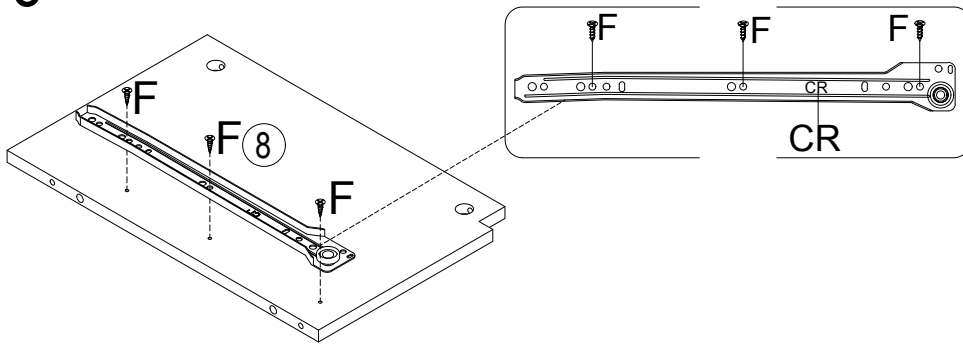
STEP 4



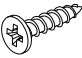


A*11PCS

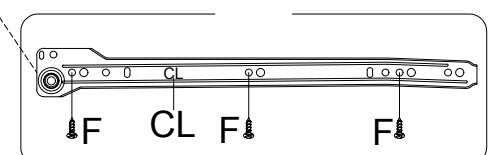
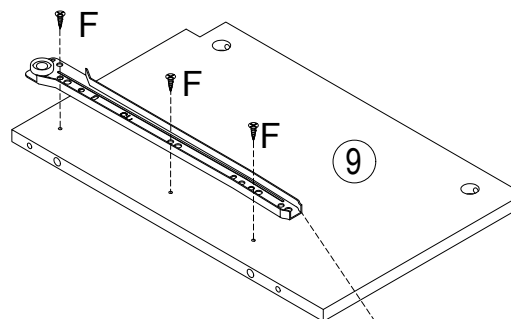
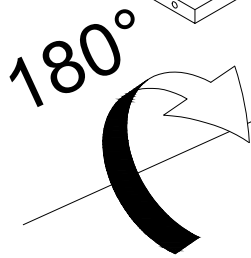
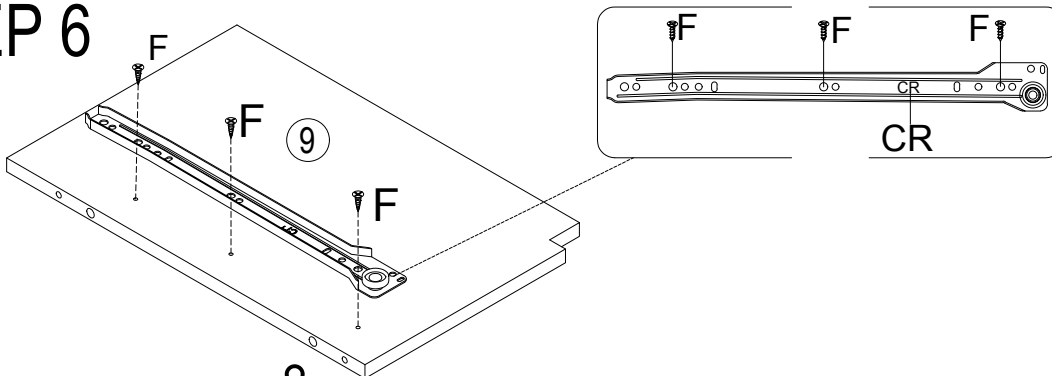




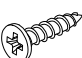
STEP 5



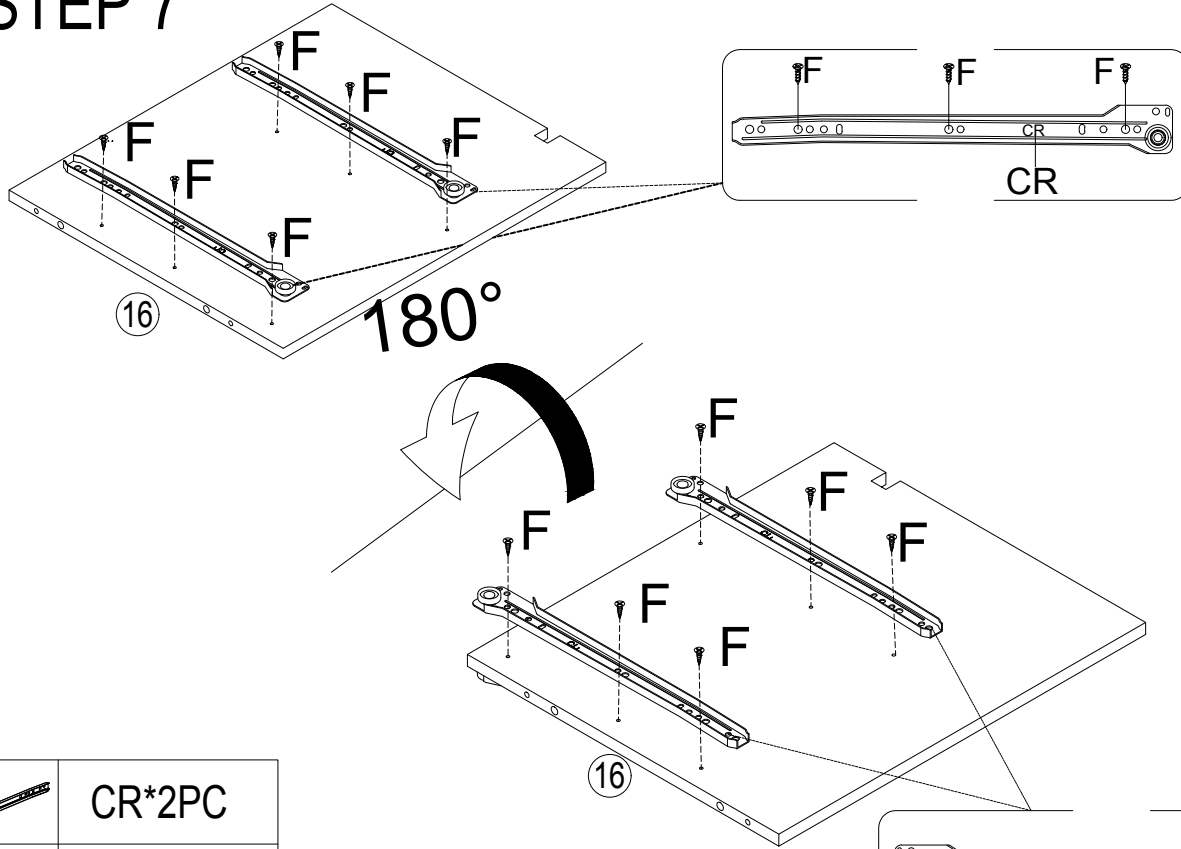
	CR*1PC
	CL*1PC
	F*6PCS



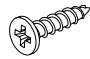
STEP 6



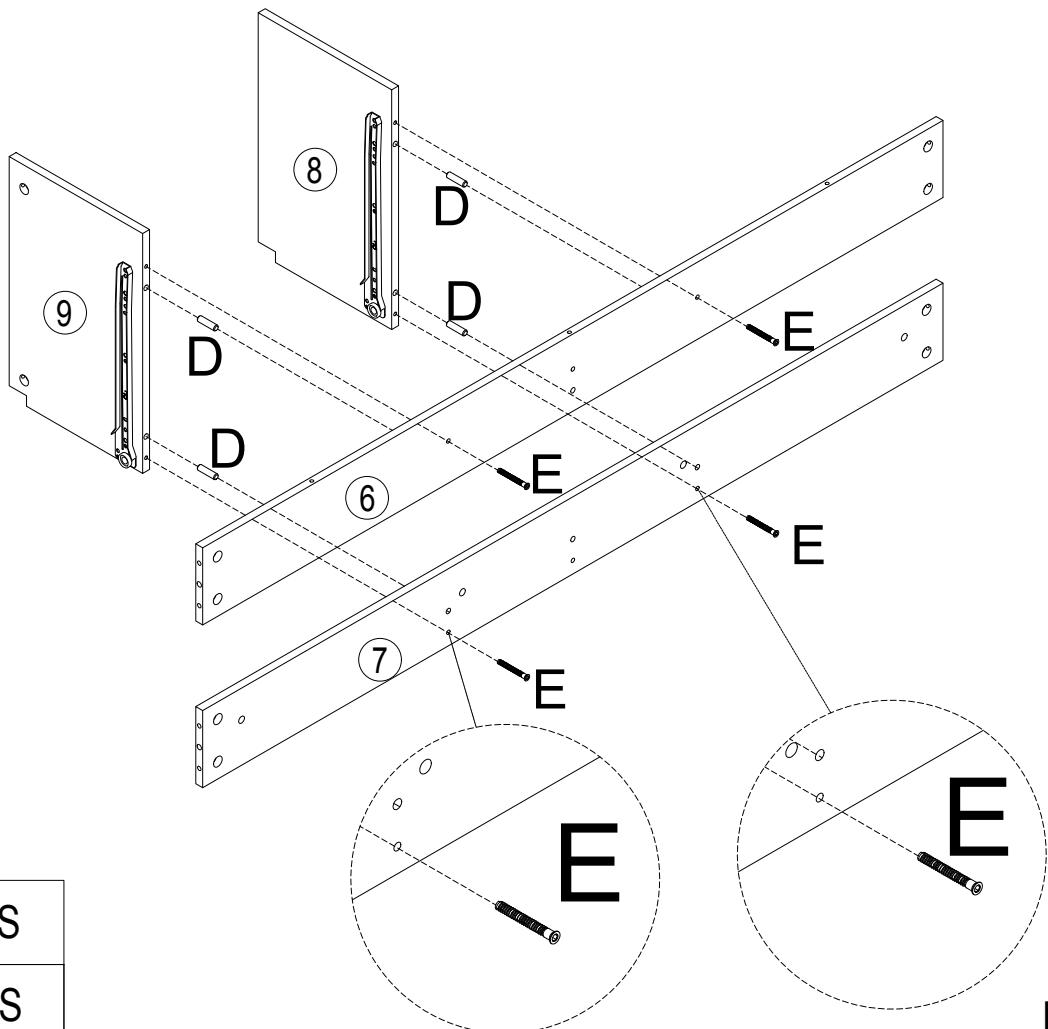
	CR*1PC
	CL*1PC
	F*6PCS

STEP 7



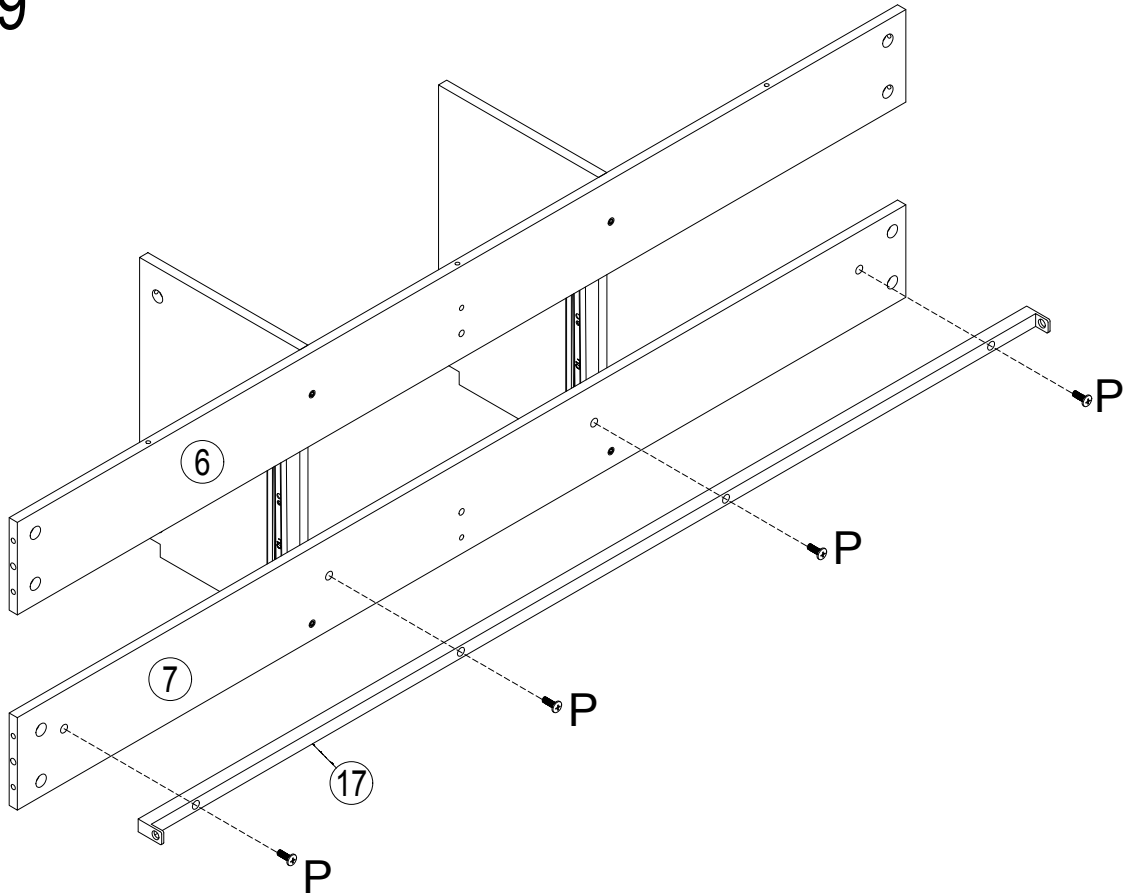
	CR*2PC
	CL*2PC
	F*12PCS

STEP 8



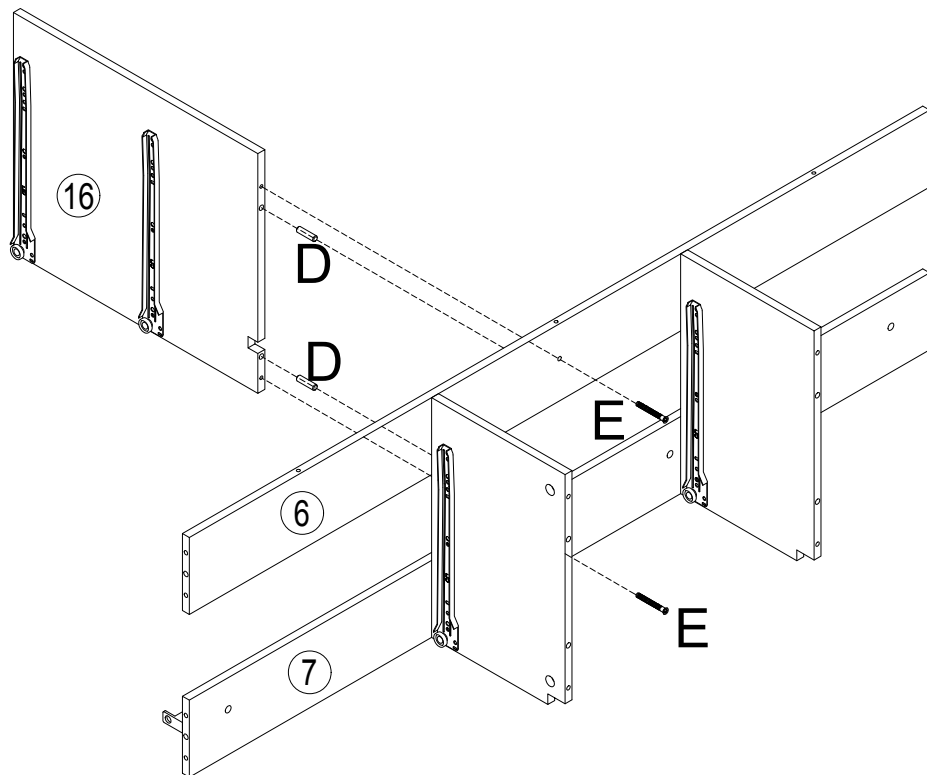
	E*4PCS
	D*4PCS

STEP 9



P*4PCS

STEP 10

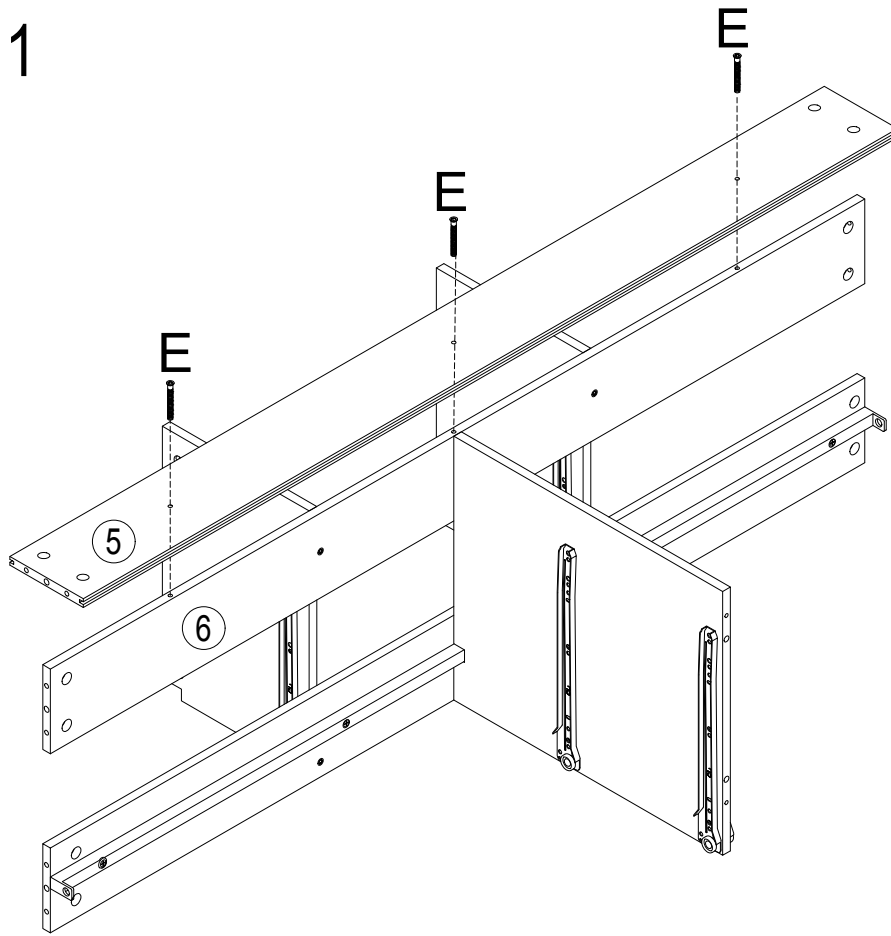



E*2PCS



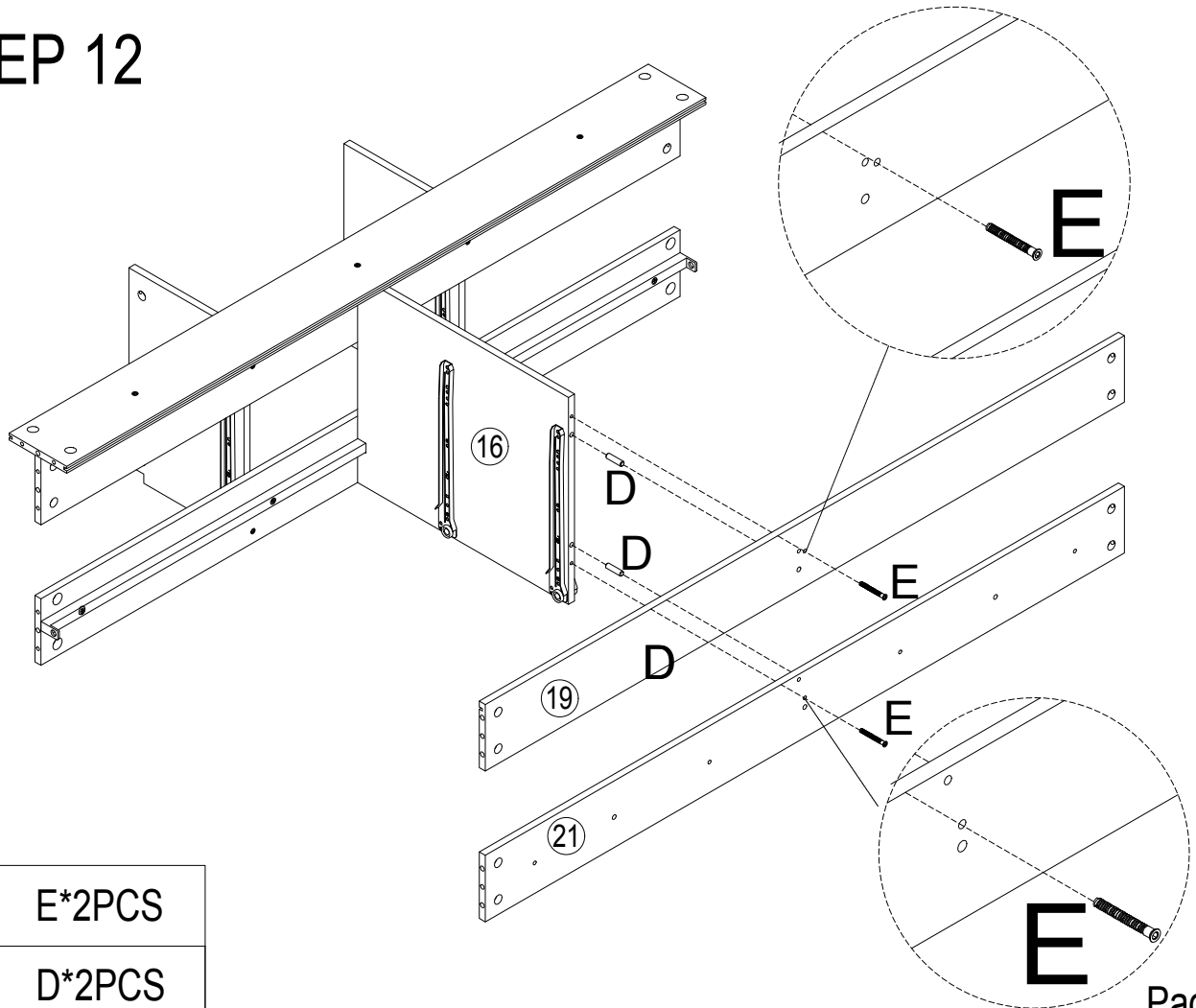
D*2PCS

STEP 11



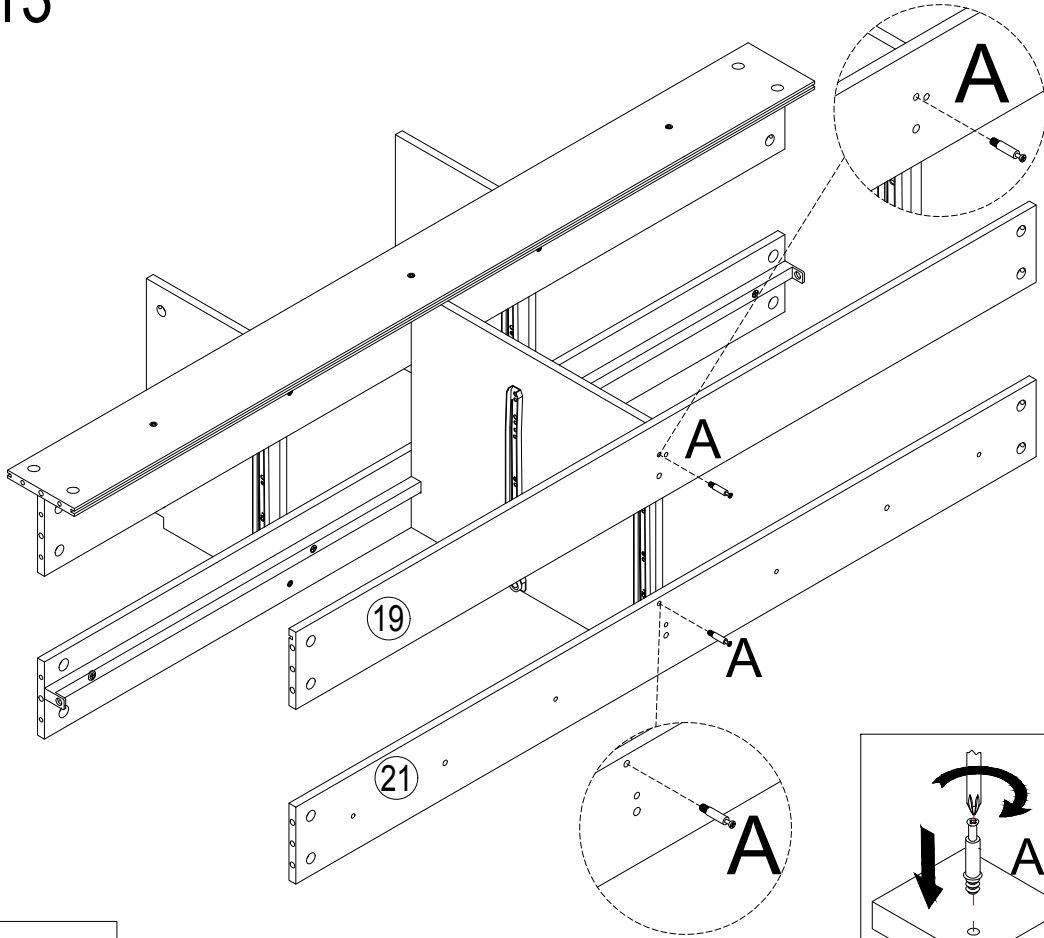
	E*3PCS
------------------------------------------------------------------------------------	--------

STEP 12



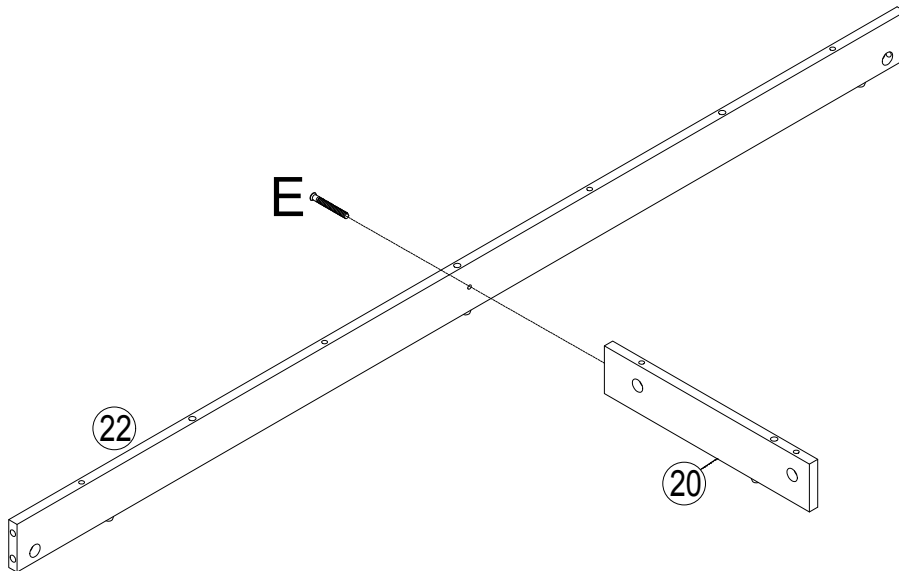
	E*2PCS
	D*2PCS

STEP 13



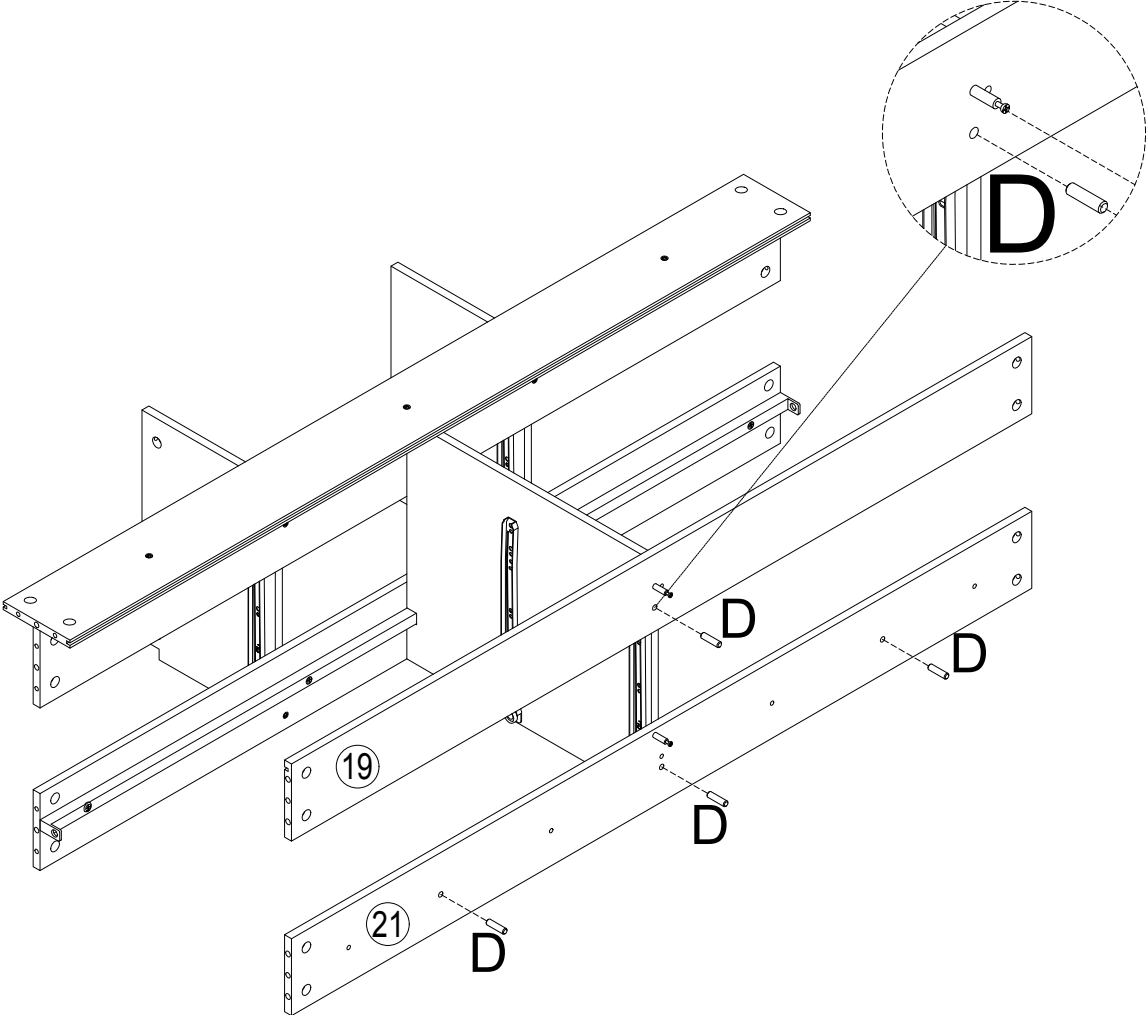
A*2PCS


STEP 14



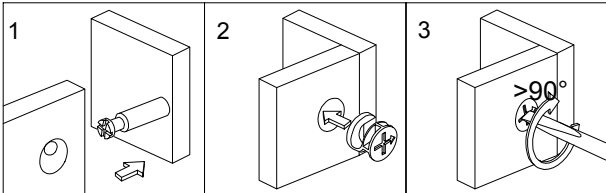
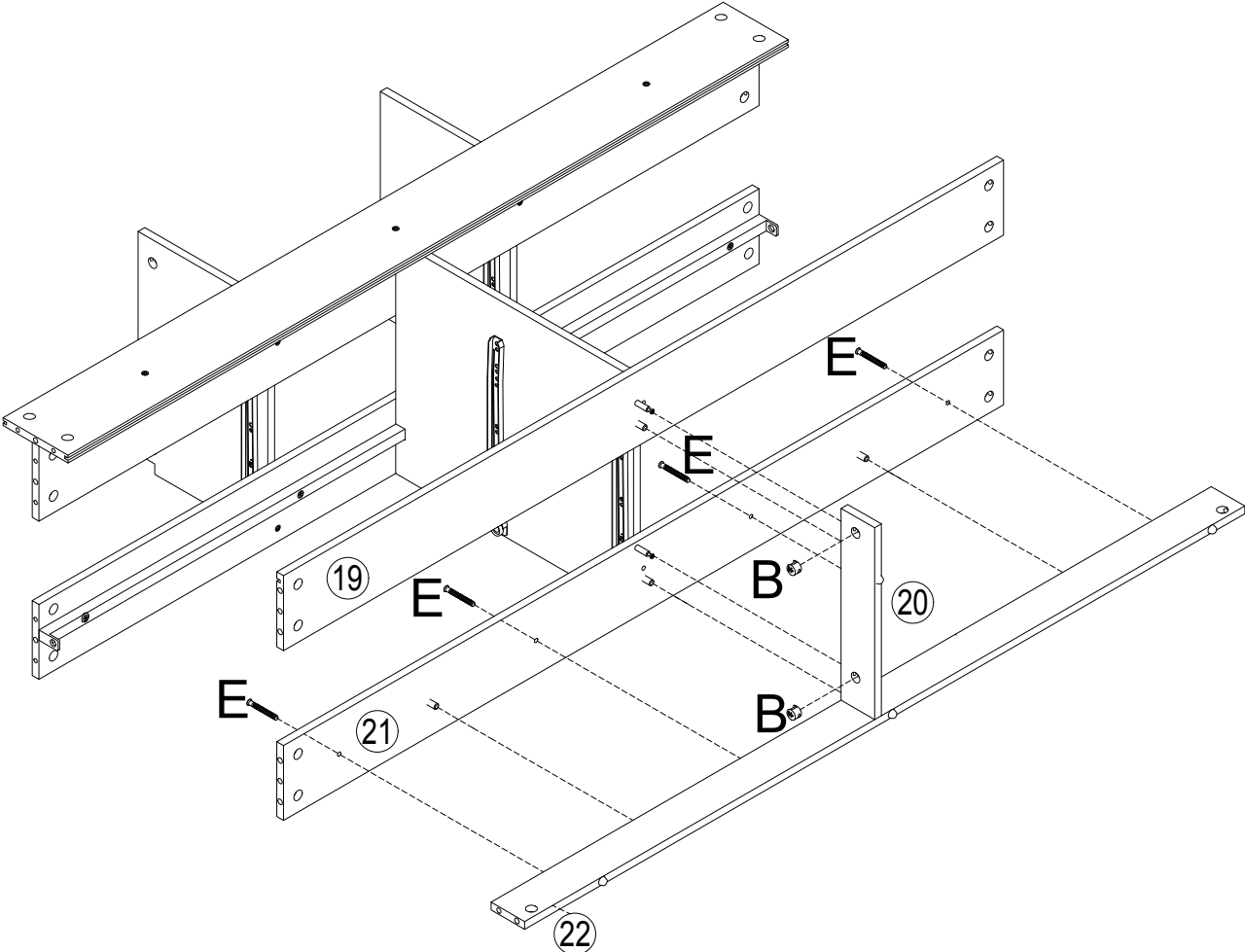
E*1PCS



STEP 15



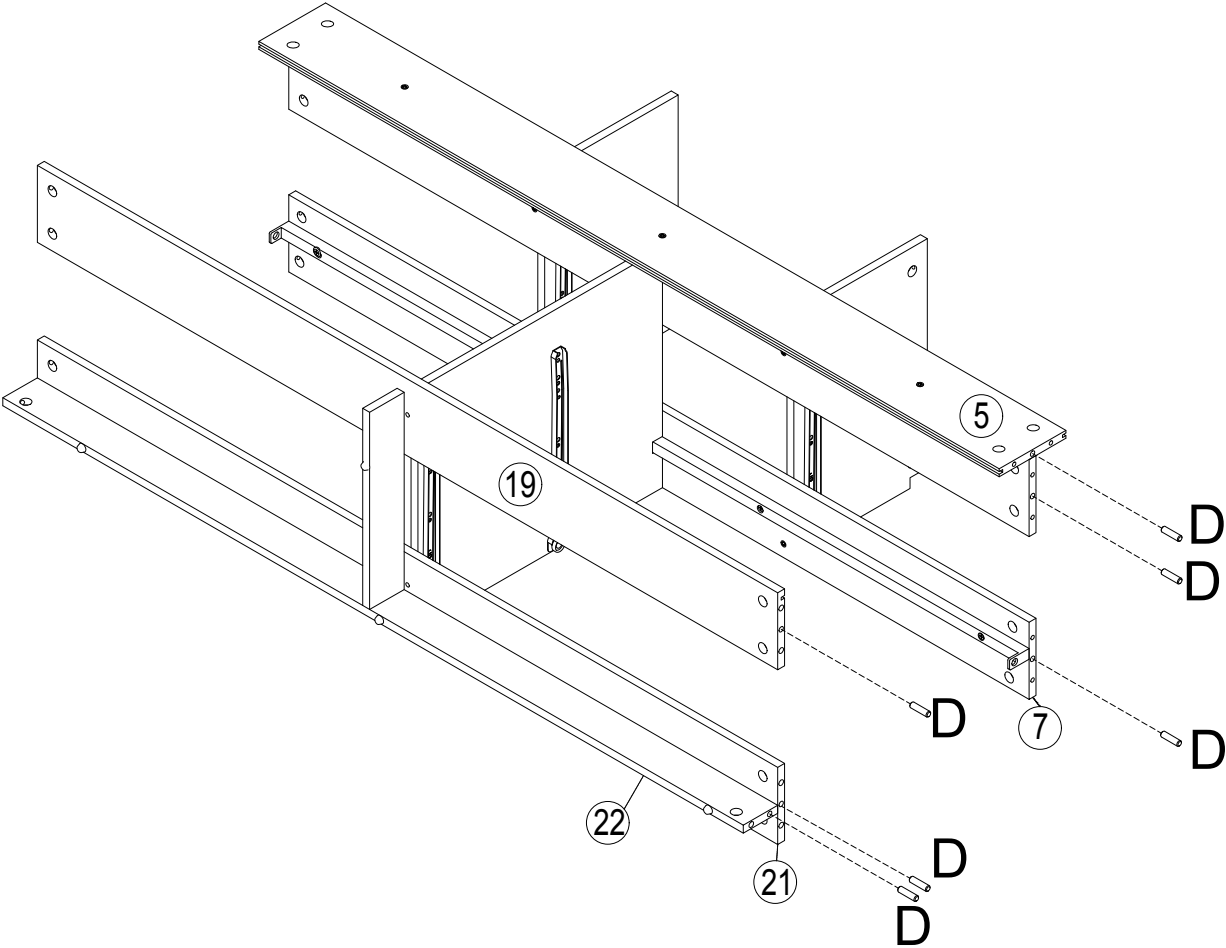
 D*4PCS

STEP 16

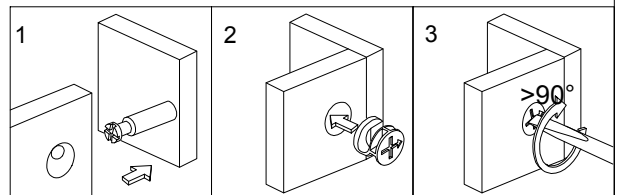
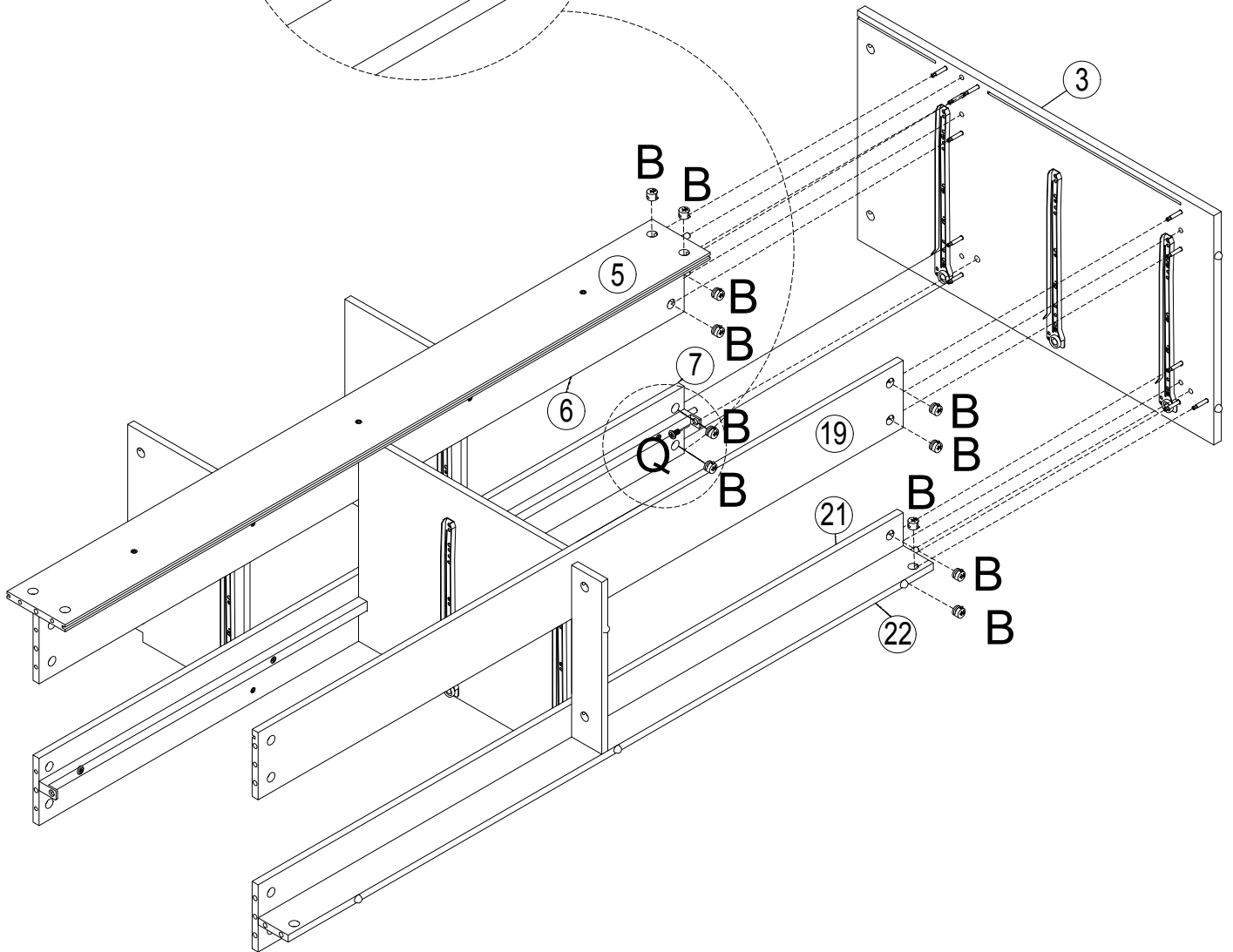
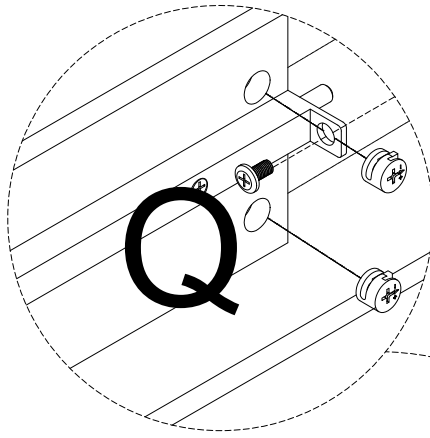




	B*2PCS
	E*4PCS

STEP 17

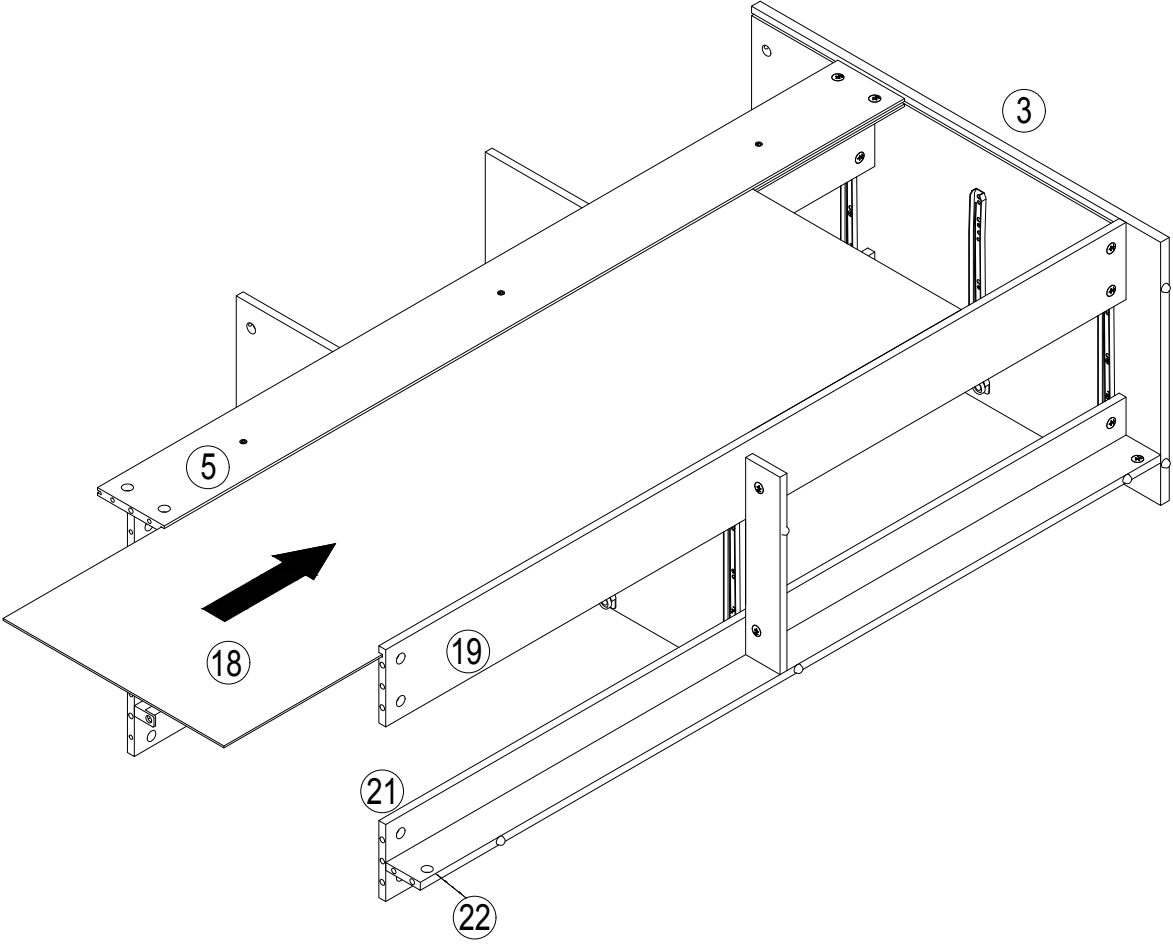


STEP 18

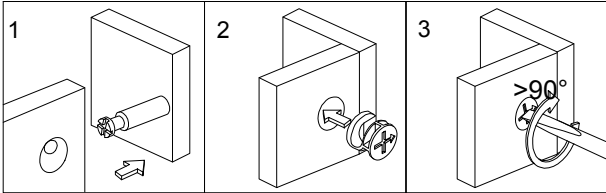
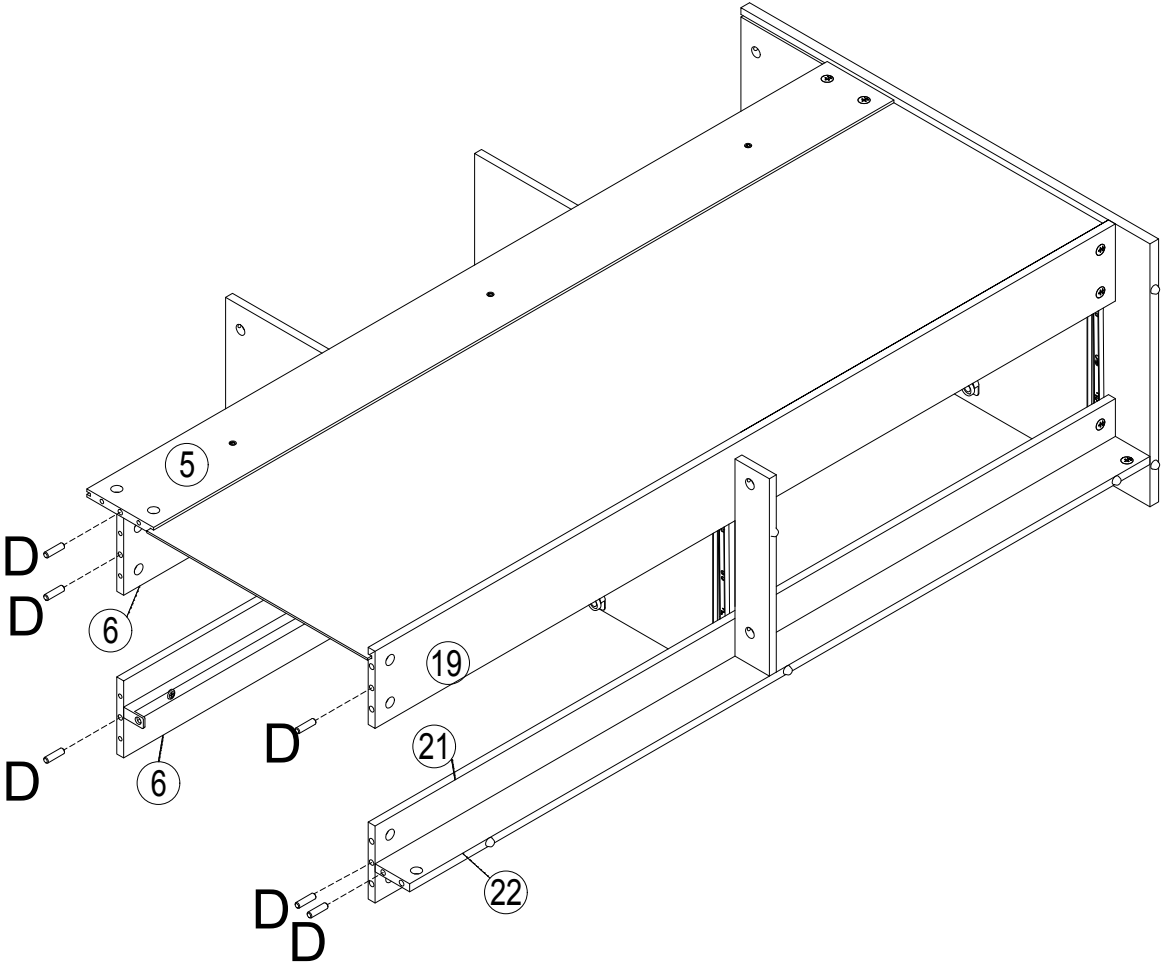



	Q*1PCS
	B*11PCS

STEP 19

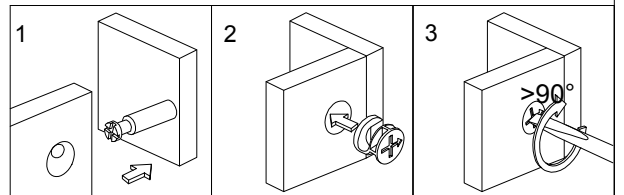
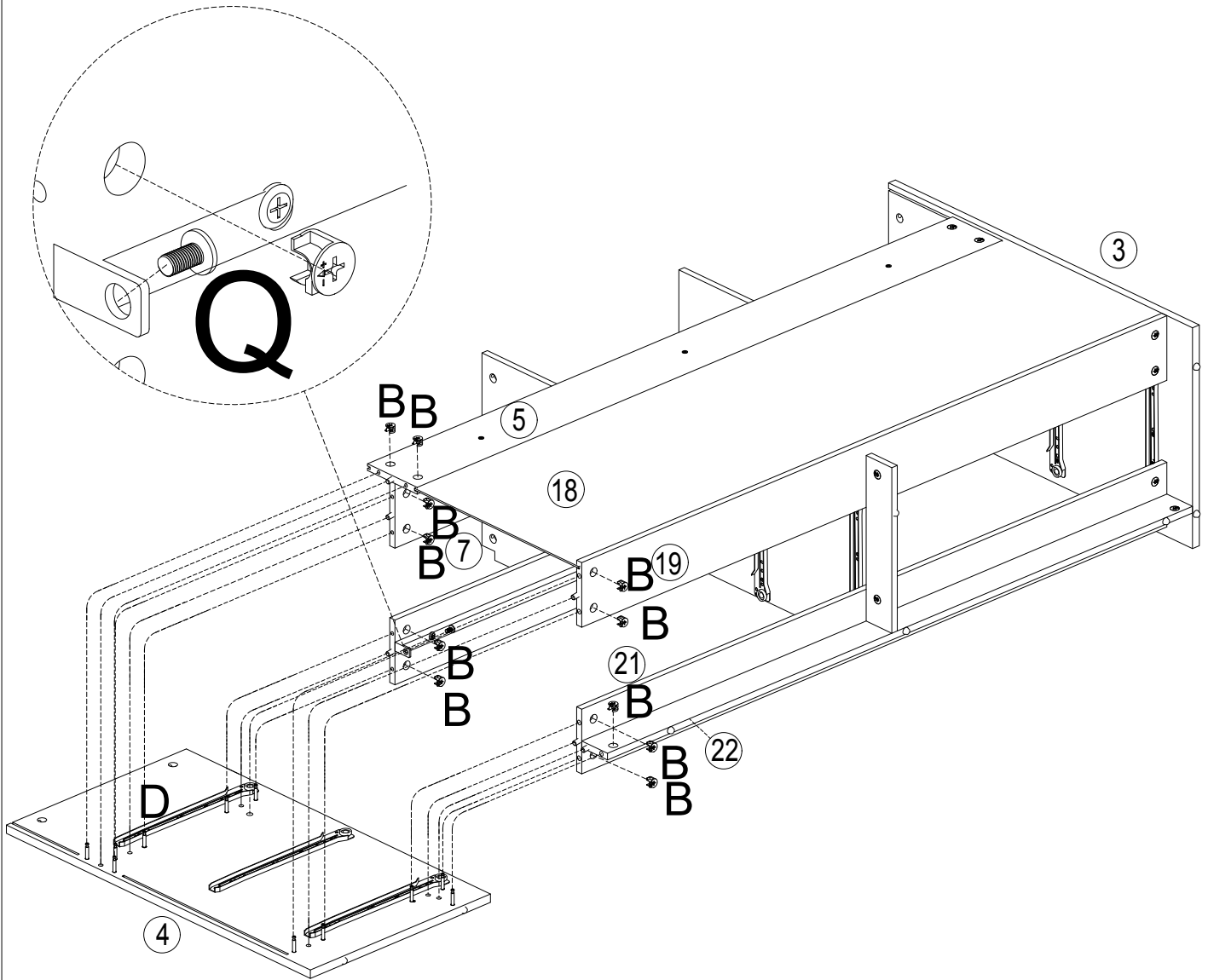




STEP 20



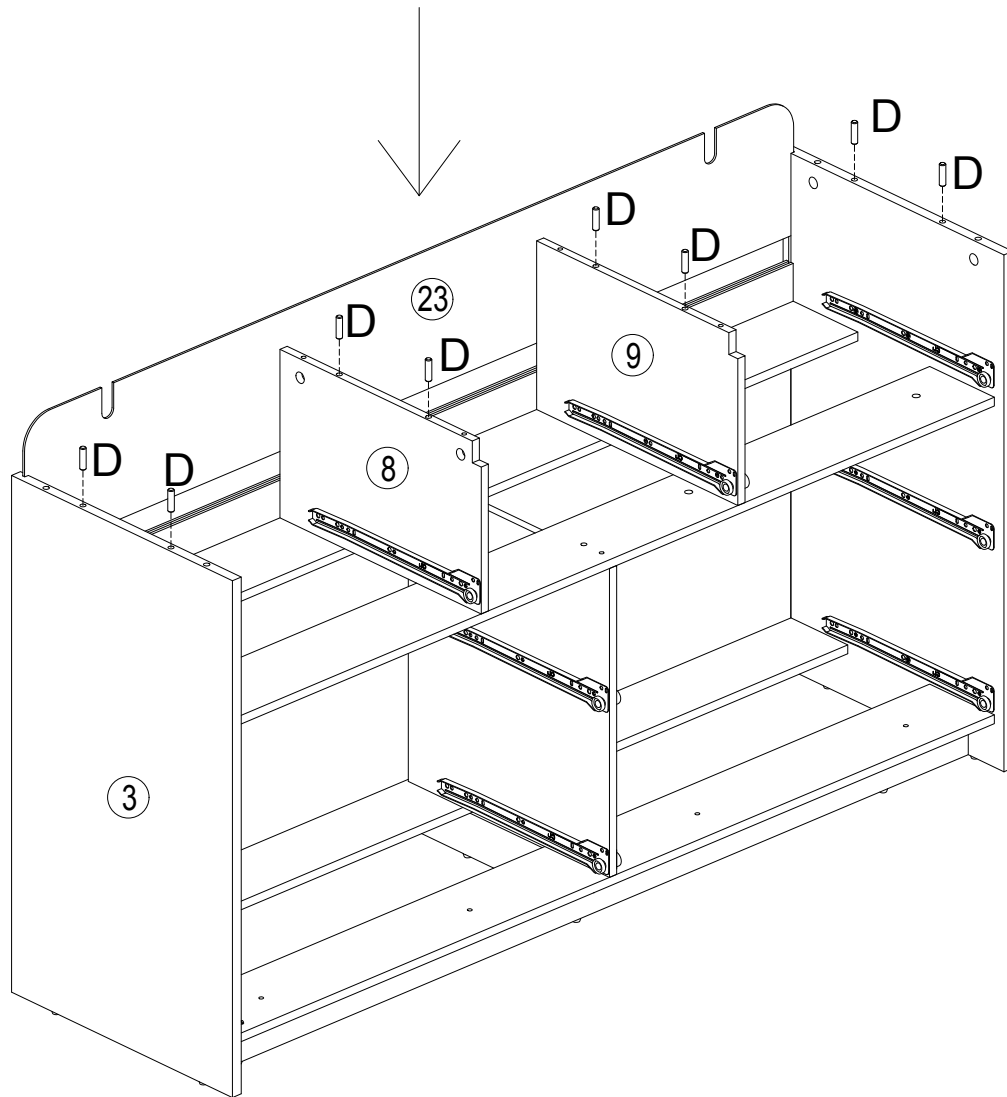
 D*6PCS

STEP 21



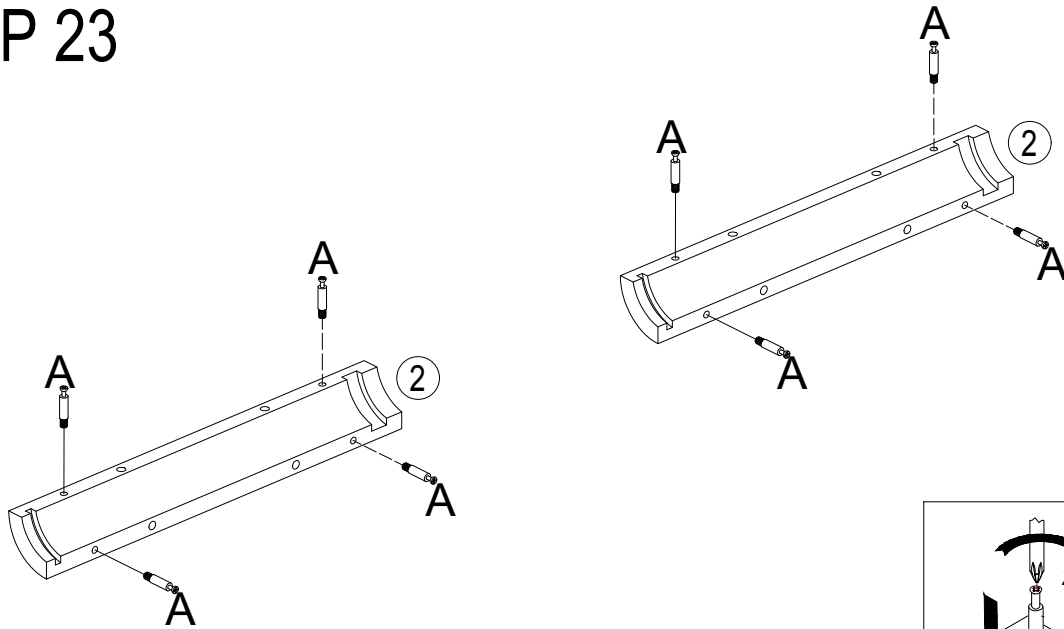
	Q*1PC
	B*11PCS

STEP 22



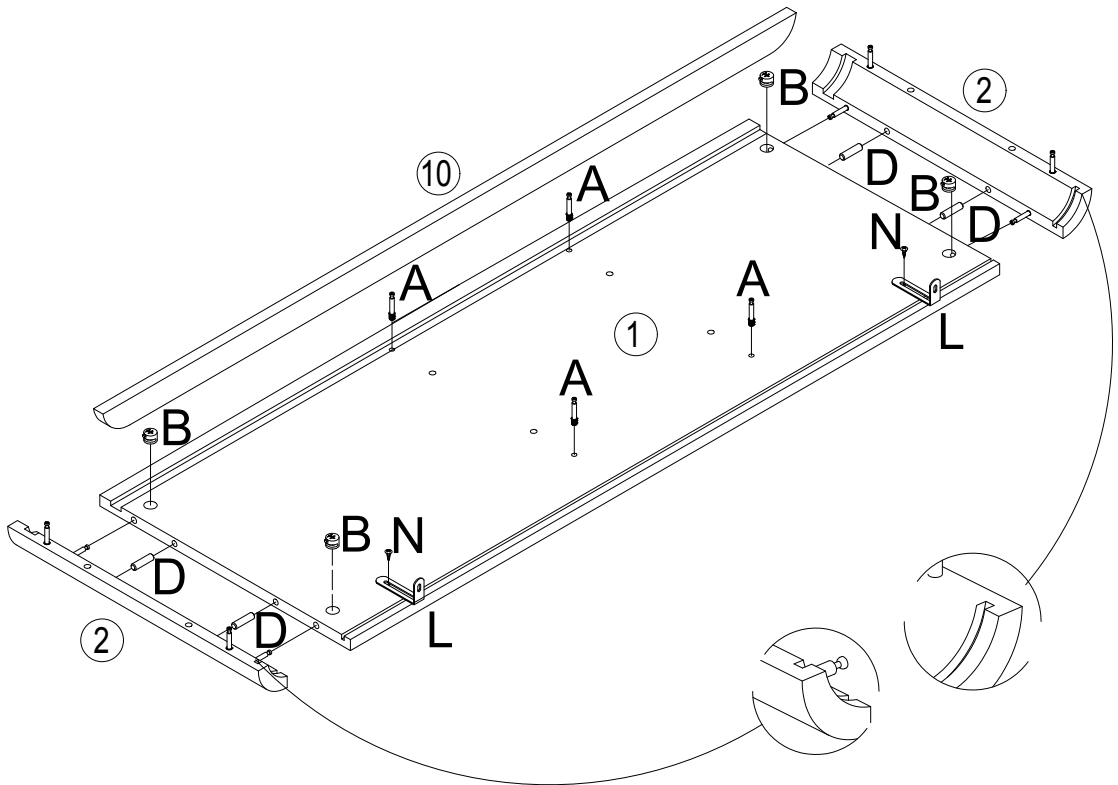
D*8PCS

STEP 23



A*8PCS

STEP 24



A*4PCS



B*4PCS



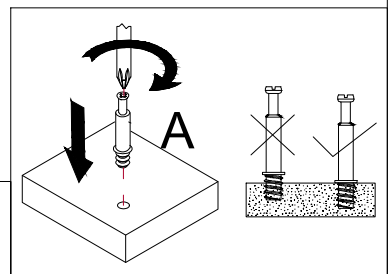
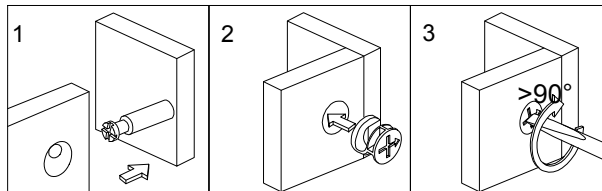
D*4PCS



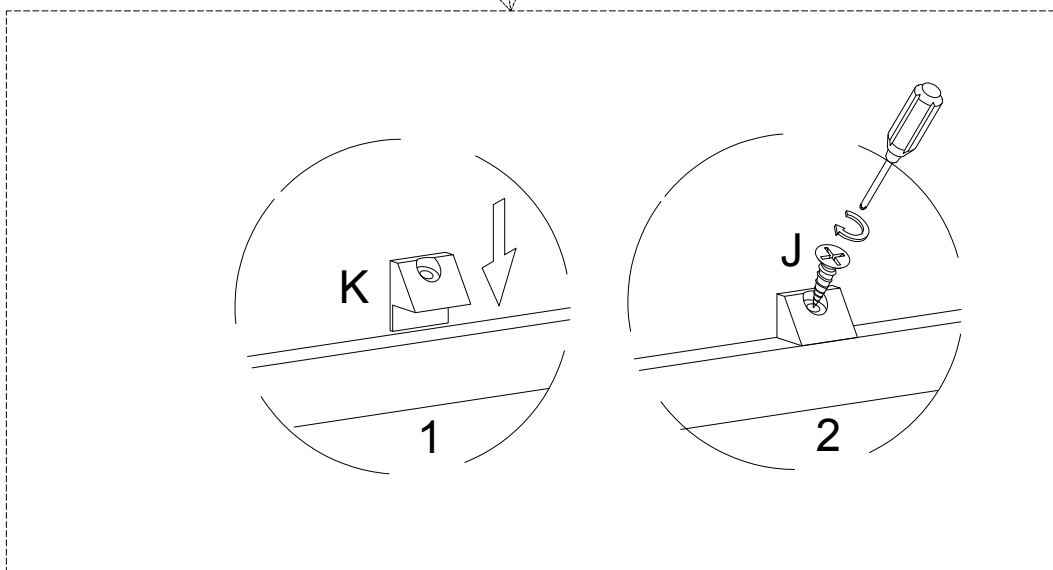
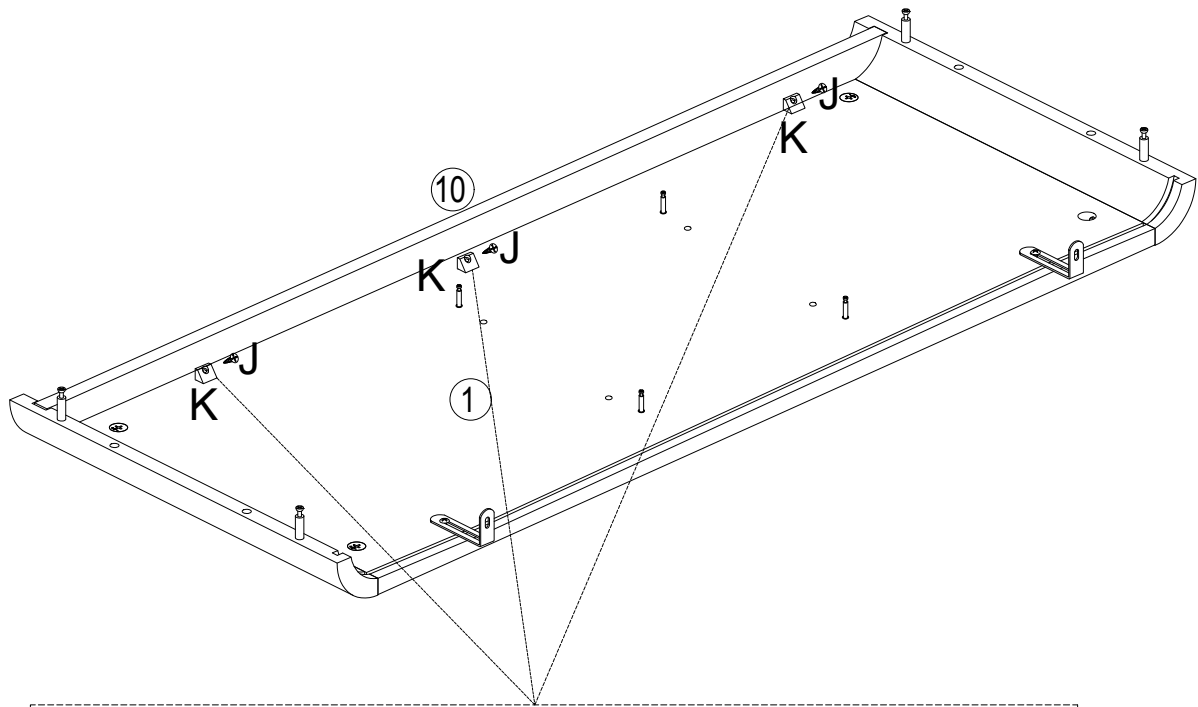
L*2PCS

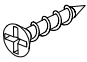
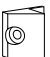


N*2PCS



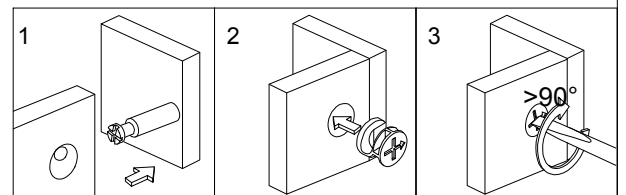
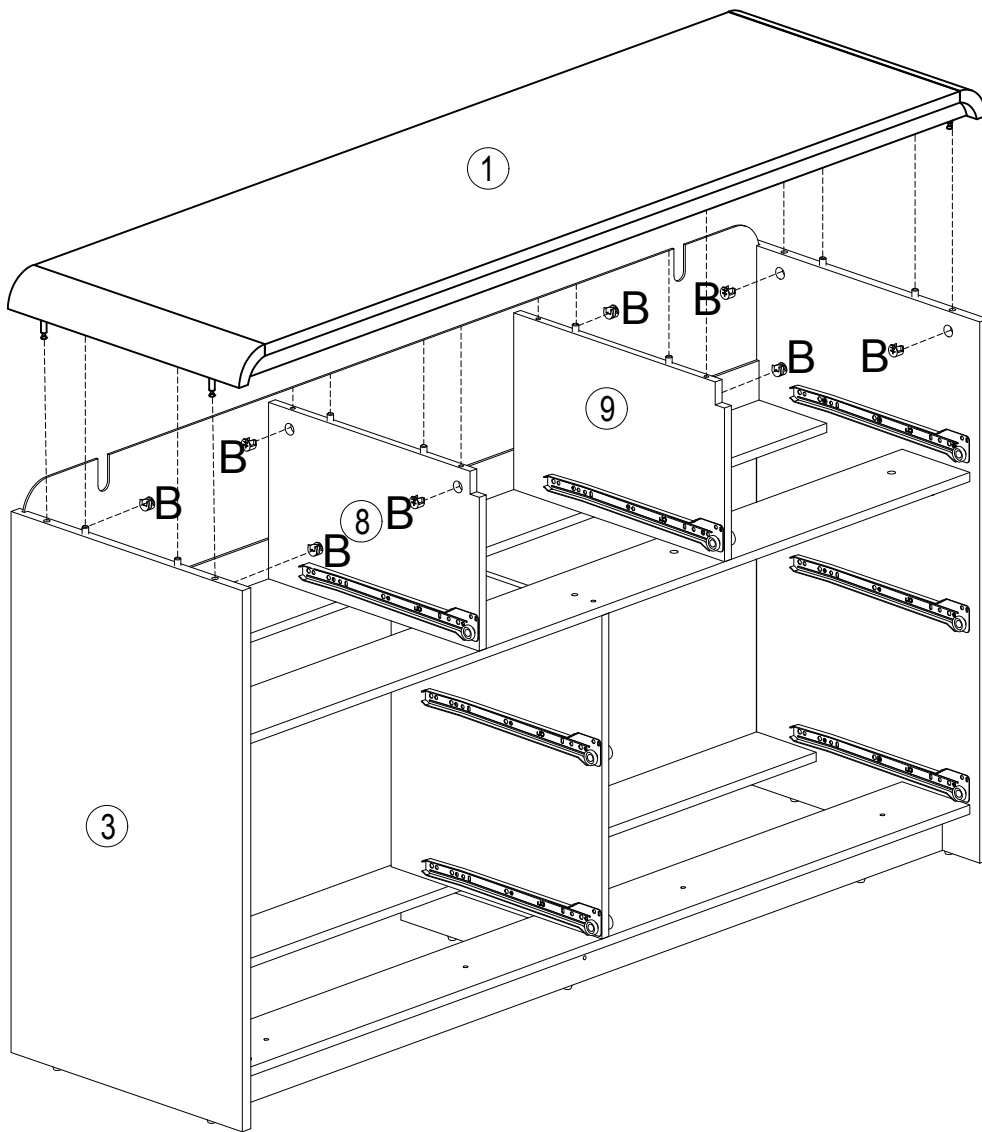
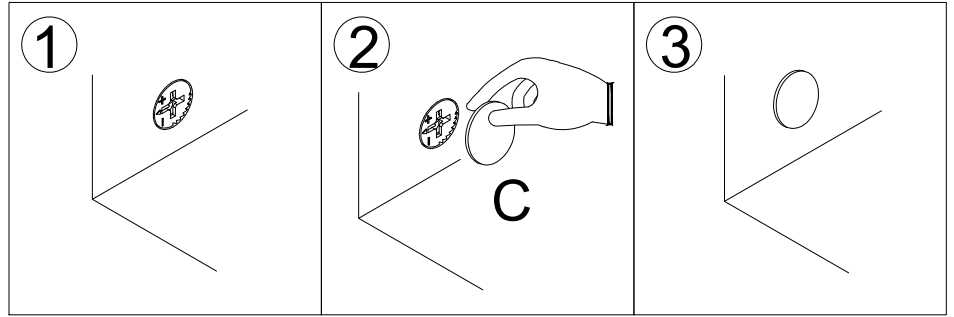
STEP 25





	J*3PCS
	K*3PCS

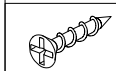
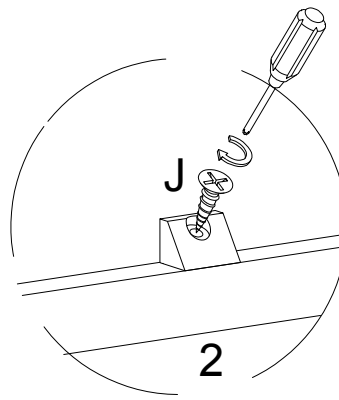
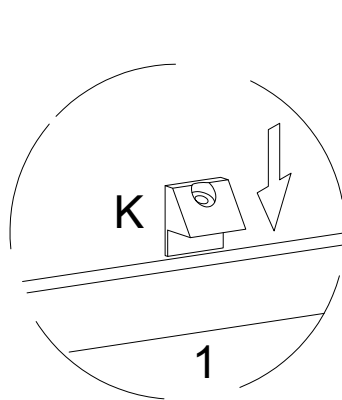
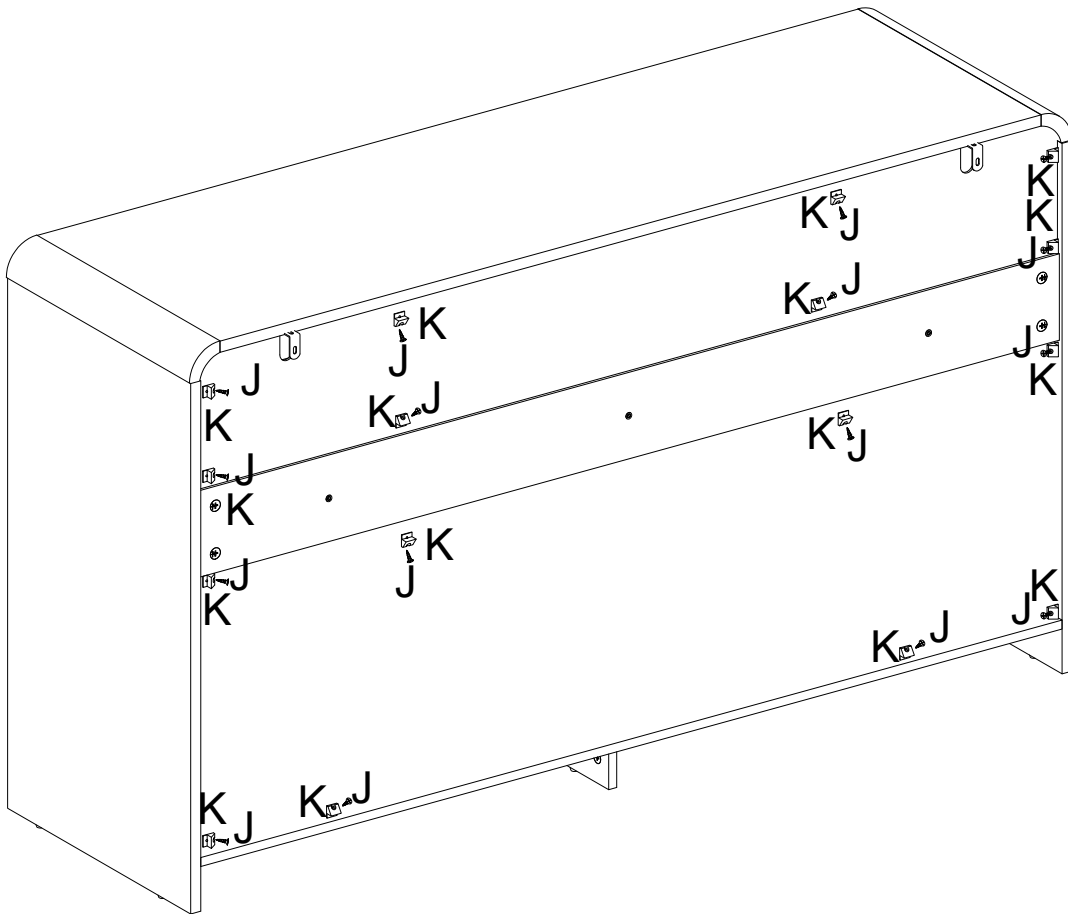
STEP 26

Cover the visible



	B*8CS
	C*36PCS

STEP 27



J*16PCS

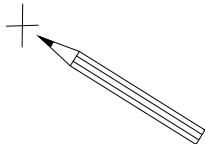


K*16PCS

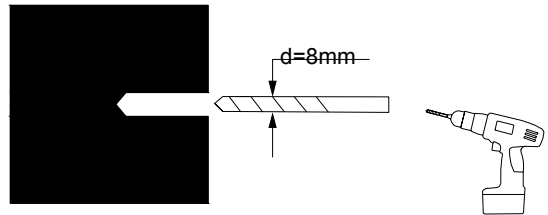
STEP 28

Method 1: For solid or concrete wall.

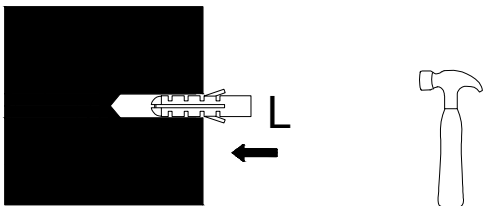
- ① 1. Choose your desired location on the wall. Have your friend hold the product in place and use a pencil to mark where the anchor will go.



- ② 2. Pre-drill holes on the wall with a drill bit that is larger than the diameter of the wall anchors.

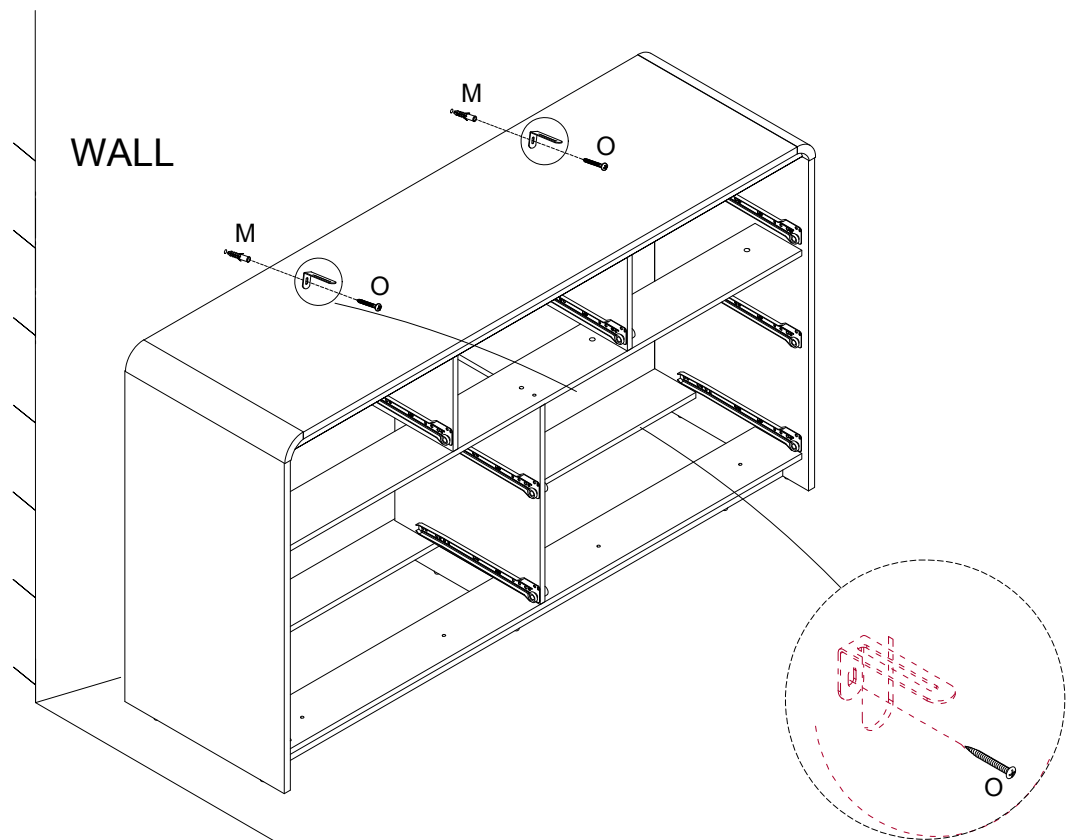
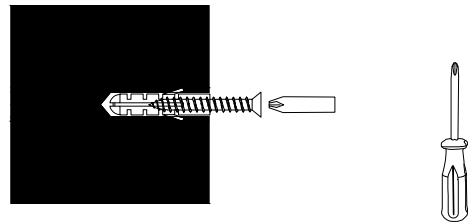


- ③ 3. Gently insert the wall anchor into the pre-drilled hole.



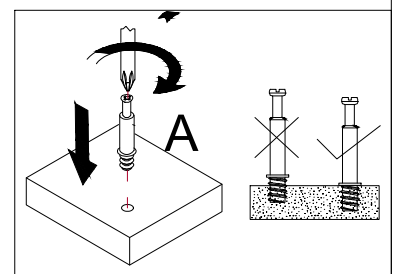
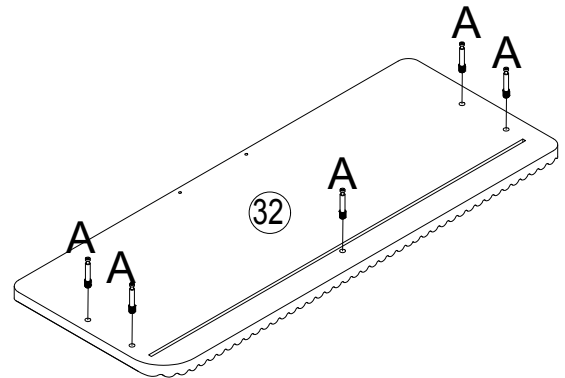
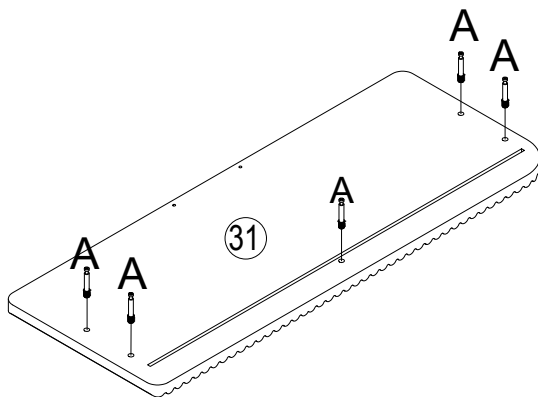
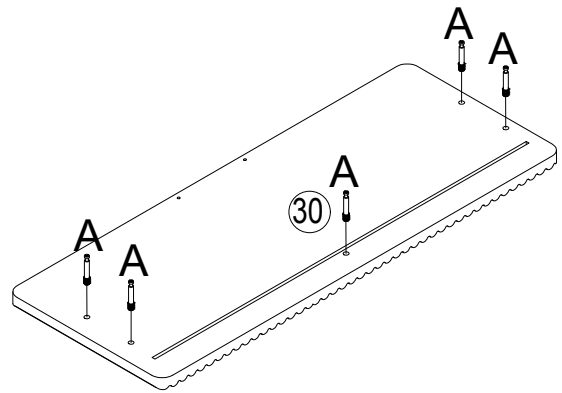
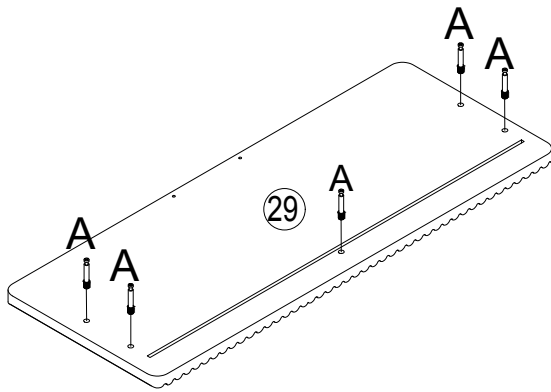
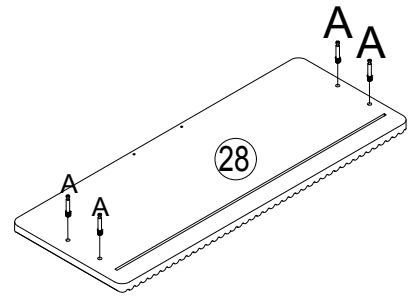
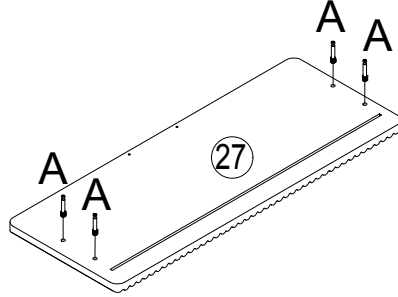
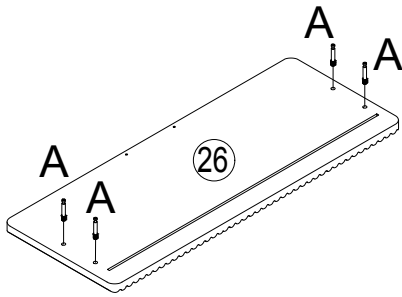
M*2PCS

- ④ 4. Insert the screws into the wall anchor with a screwdriver to complete the installation.



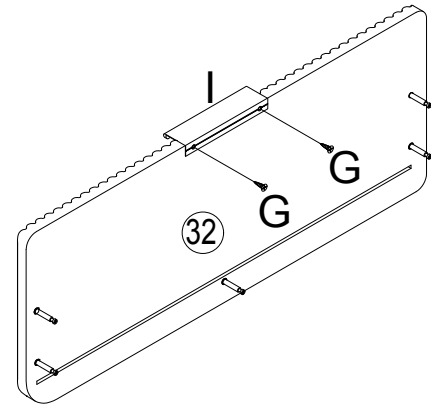
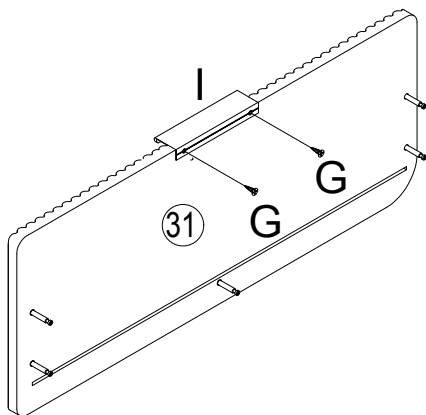
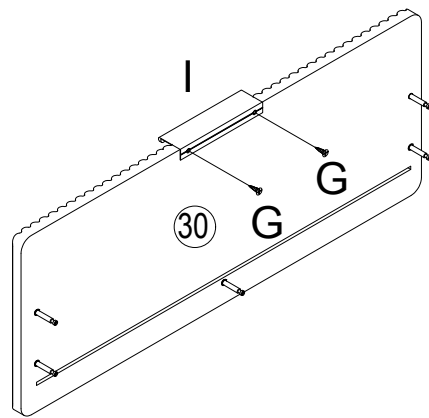
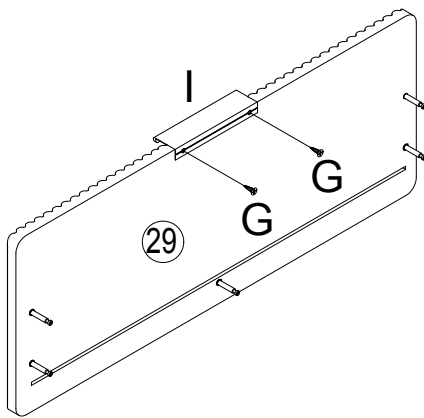
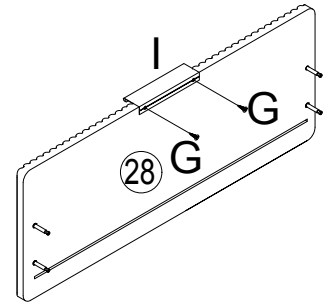
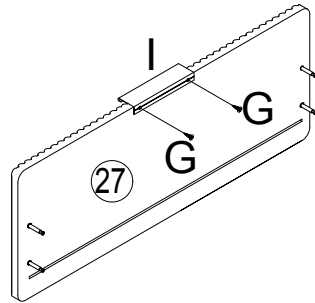
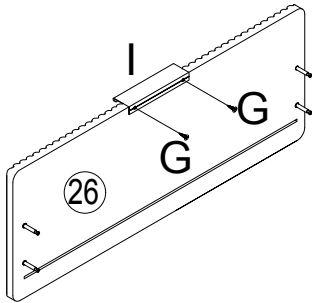
O*2PCS

STEP 29



A*32PCS

STEP 30

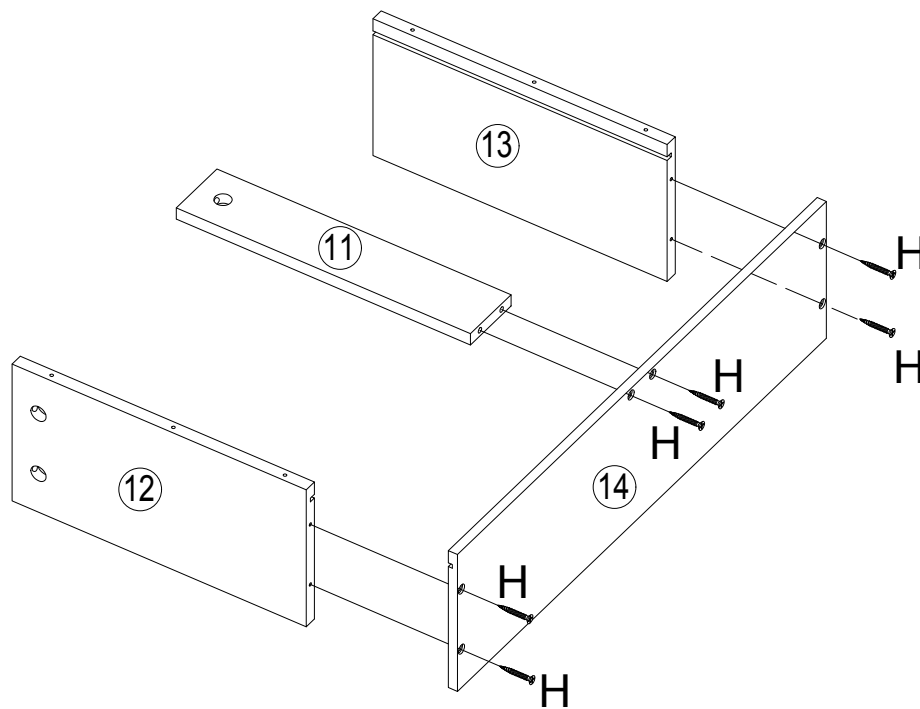


I*7PCS



G*14PCS

STEP 31

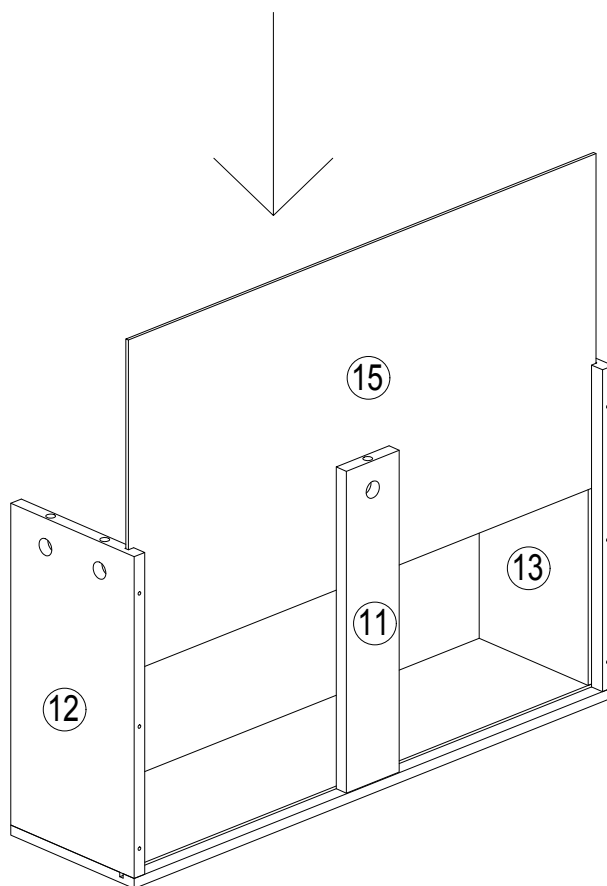


x4



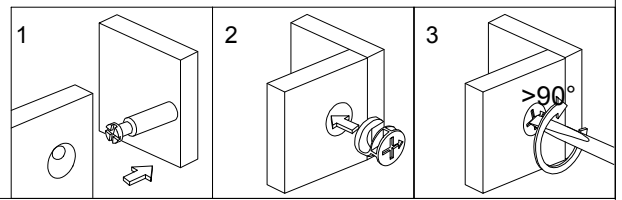
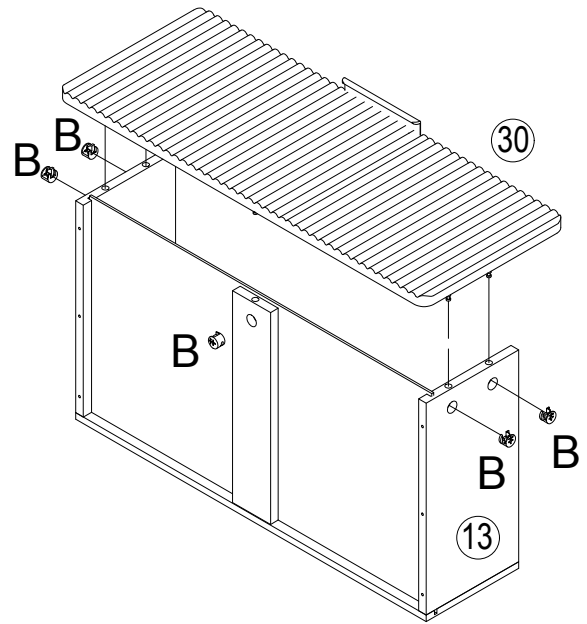
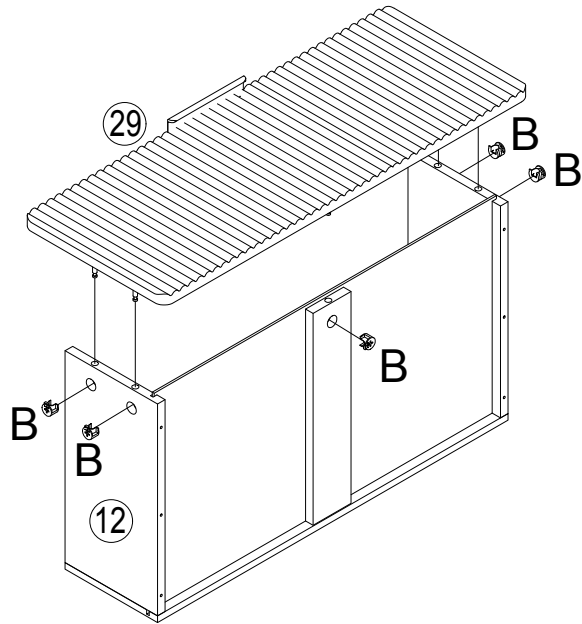
H*24PCS

STEP 32



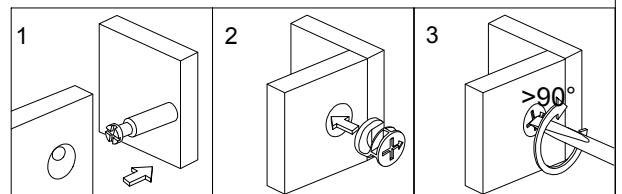
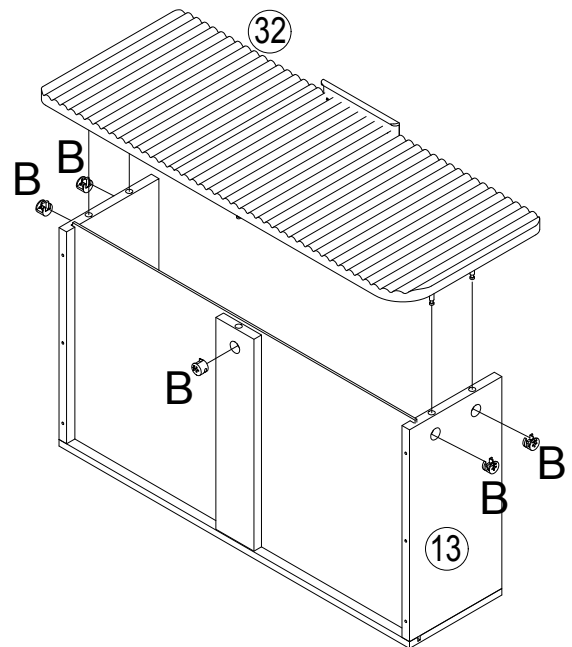
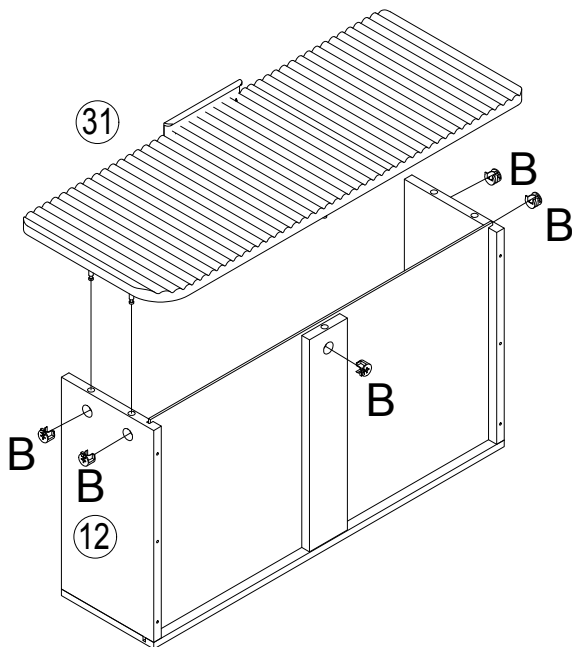
x4

STEP 33



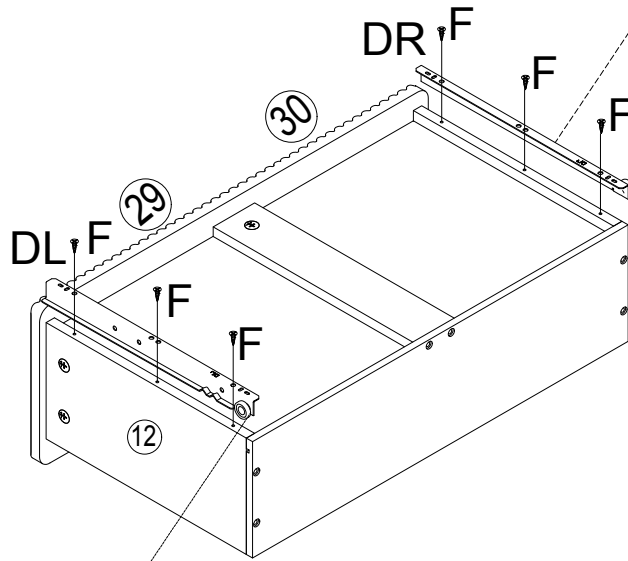
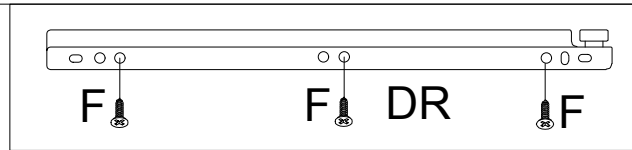
B*10PCS



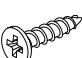
STEP 34

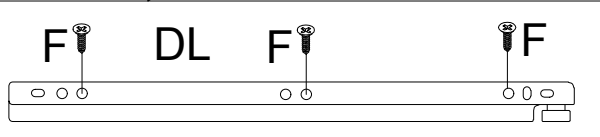


B*10PCS

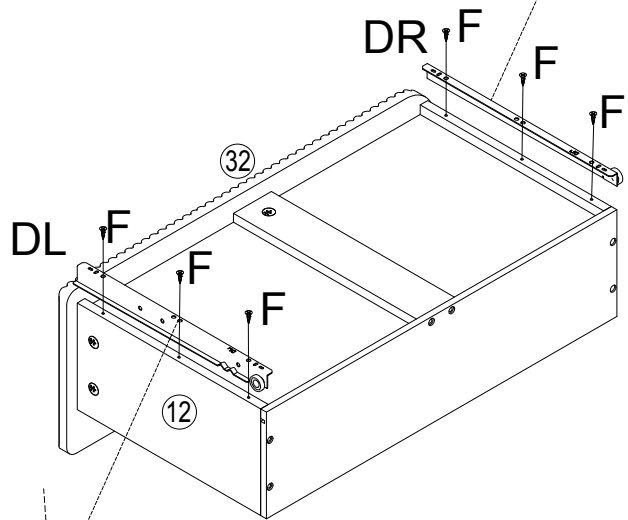
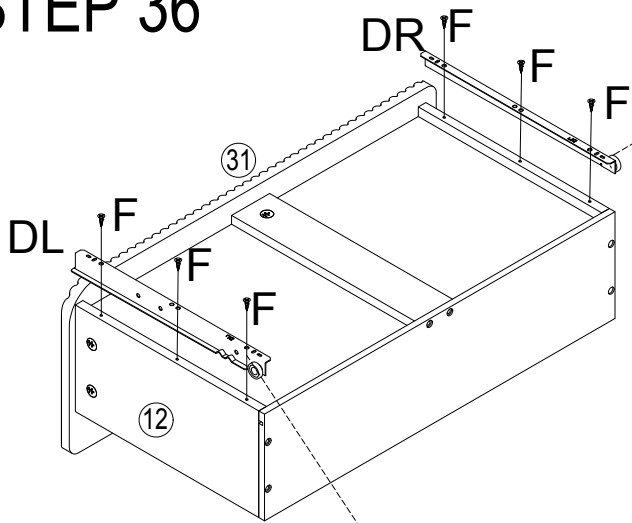
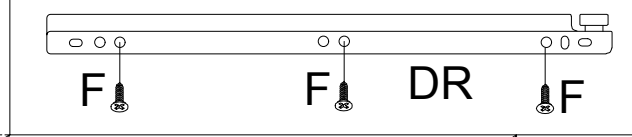
STEP 35



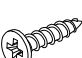


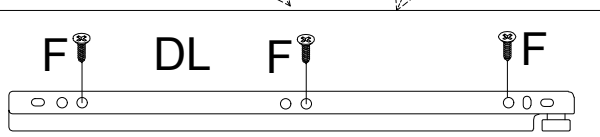
	DL*2PCS
	DR*2PCS
	F*12PCS



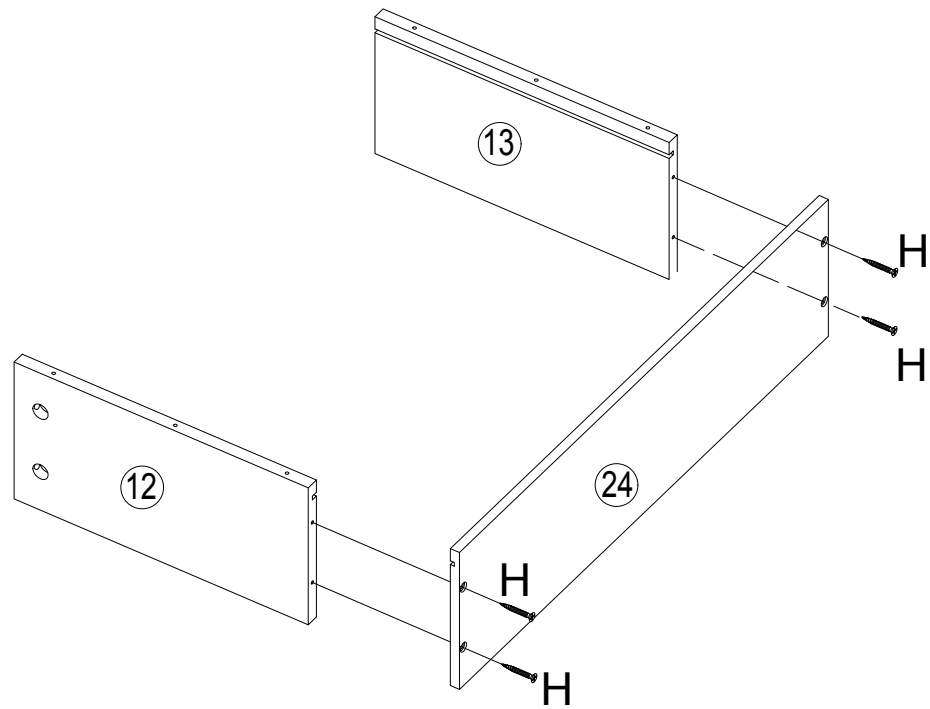
STEP 36



	DL*2PCS
	DR*2PCS
	F*12PCS



STEP 37

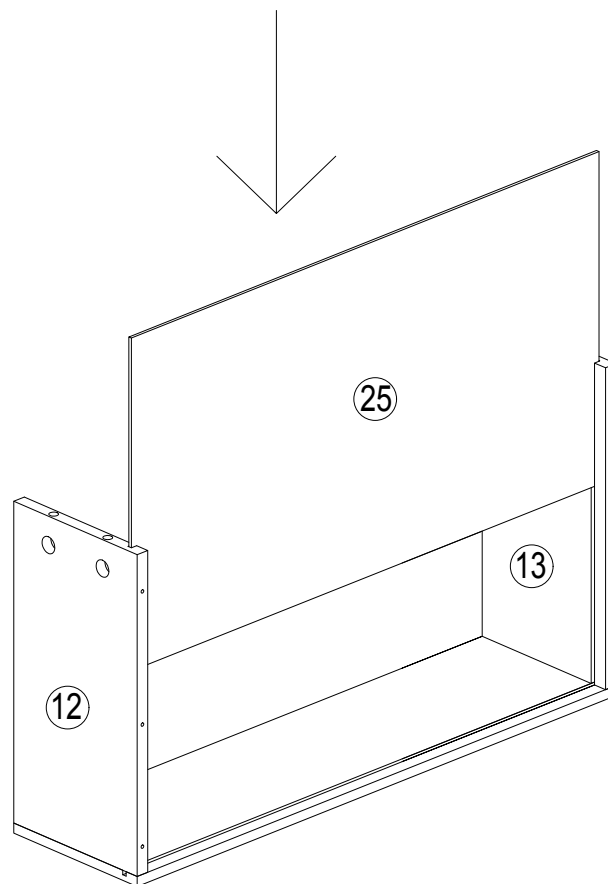


x3



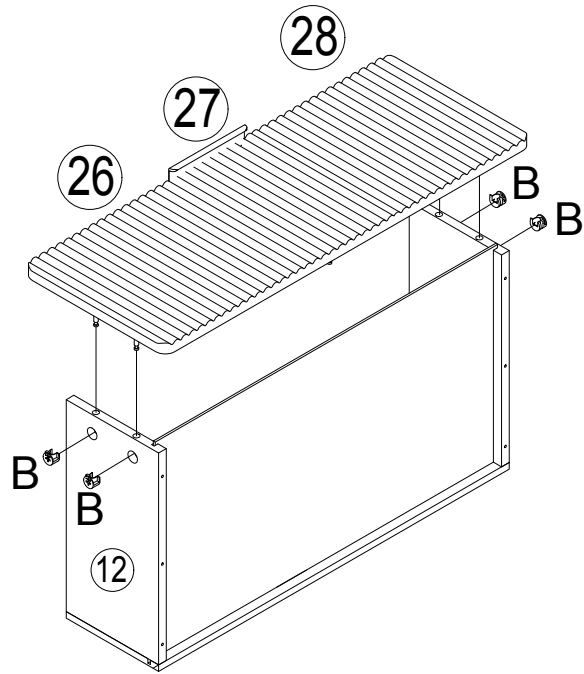
H*12PCS

STEP 38

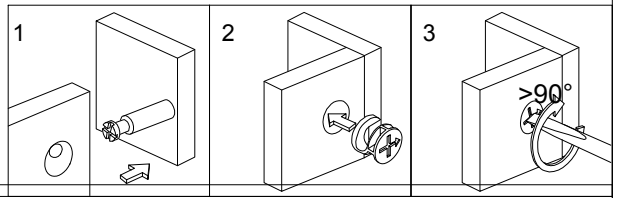


x3

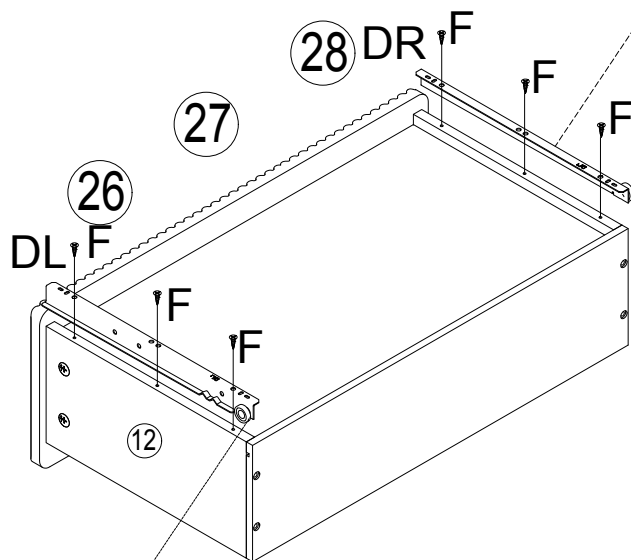
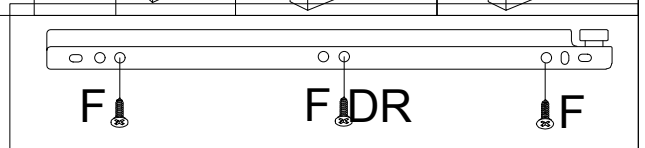
STEP 39



B*12PCS



STEP 40



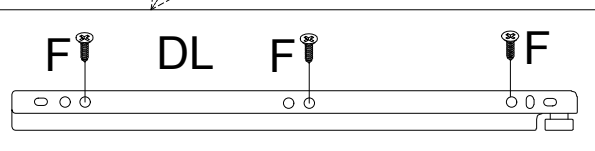
DL*3PCS



DR*3PCS

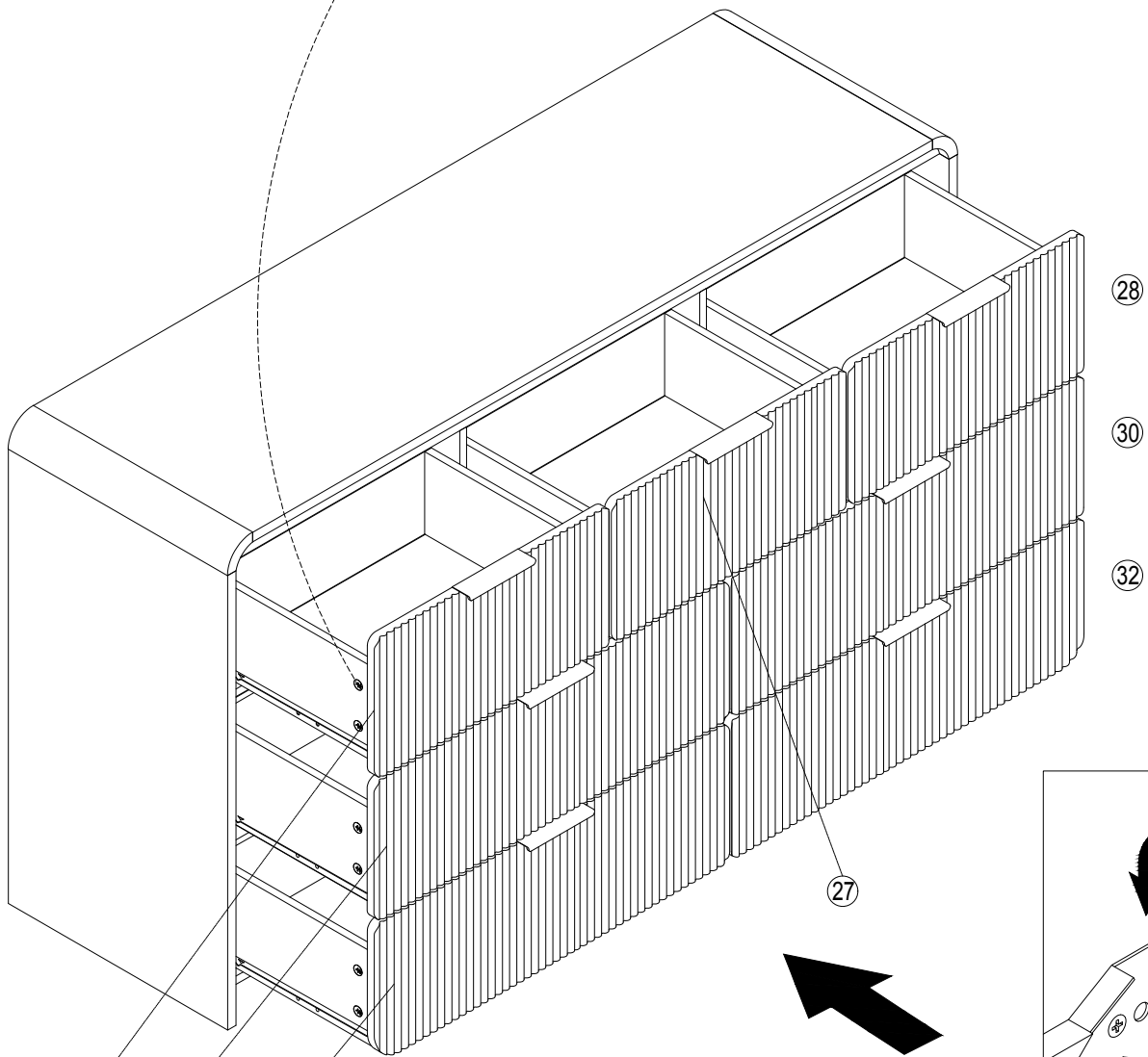
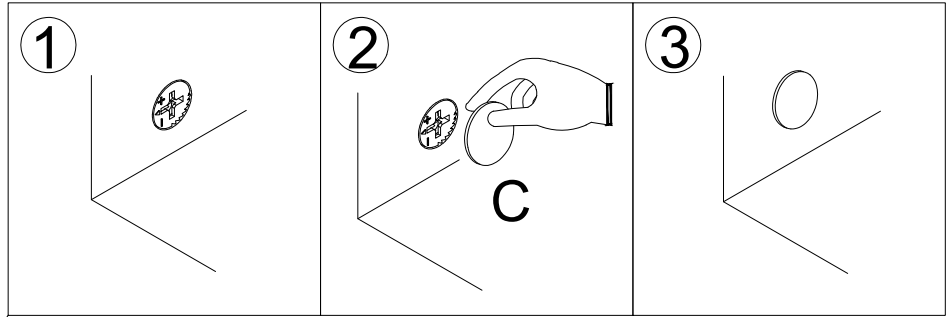


F*18PCS

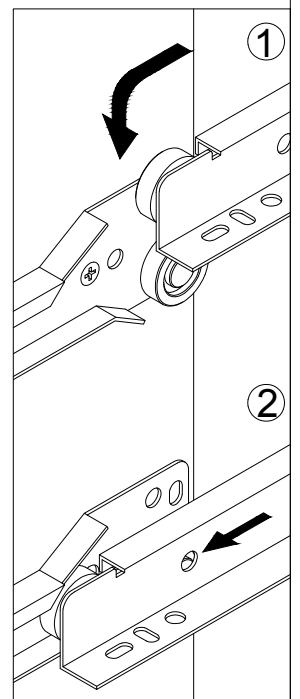


STEP 41

Cover the visible



Pay attention to the drawer corresponding to the number.



C*32PCS