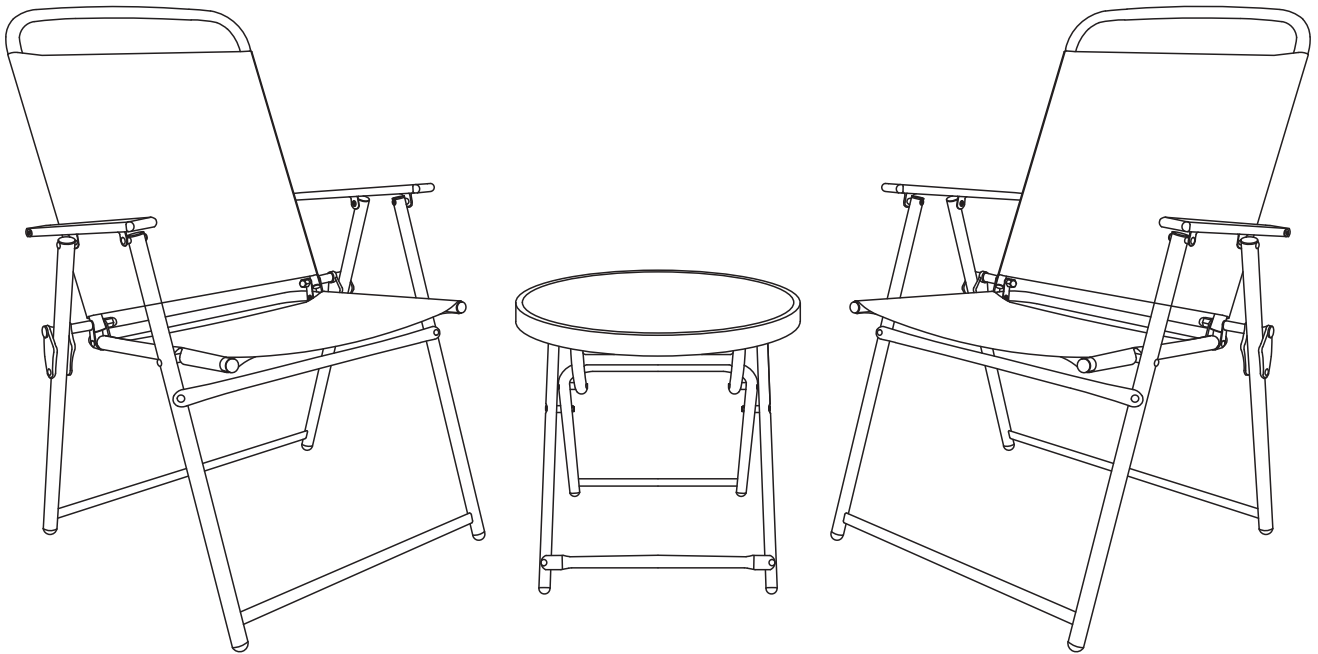


# USER MANUAL

## PATIO CHAIRS



### PRECAUTIONS

#### **!** Weight-bearing safety:

1. The maximum weight capacity of the chair is 330 pounds.
2. Tempered glass has a load-bearing capacity of  $\leq 3\text{kg}$ . Do not place heavy objects on it or kick the legs to prevent tipping and breakage.

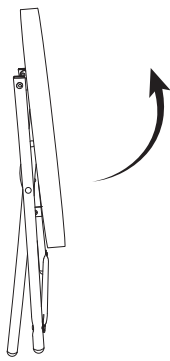
#### **!** Outdoor use:

Avoid prolonged immersion in heavy rain or sudden drenching with cold water after exposure to direct sunlight to prevent glass breakage.

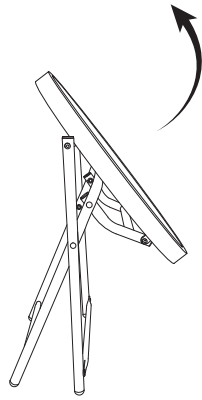
#### **!** Folding operation:

When unfolding/folding, push gently and slowly. Be careful not to pinch your hand while opening and folding. Do not lift the edge of the table with one hand to prevent structural deformation.

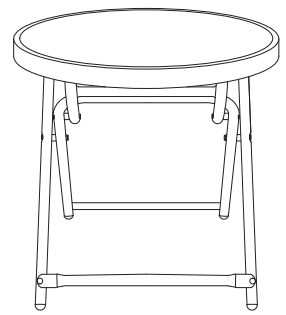
01



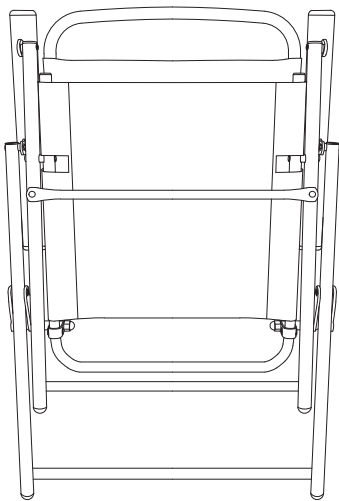
02



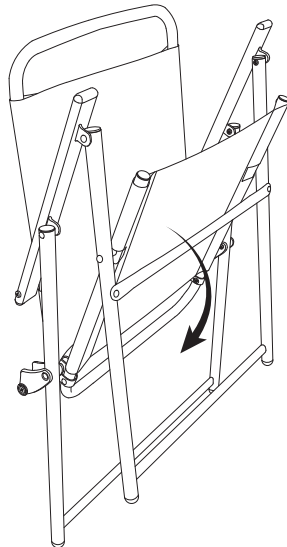
03



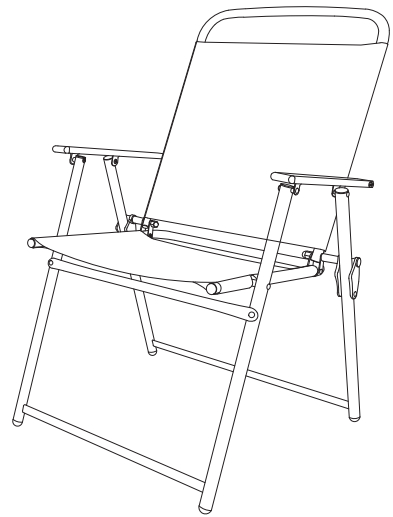
04



05



06



07

