



1. Two or more people are required for assembly.



2. Wearing protective gloves is recommended.



3. You may need a safety hat.



4. Use the hex keys in the box.



5. Please use a Phillips screwdriver.



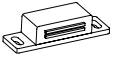

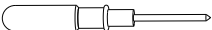



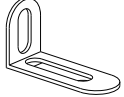





6. Do not fully tighten screws prior to complete assembly.

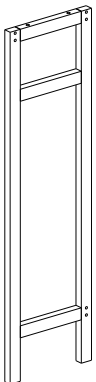
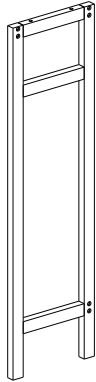
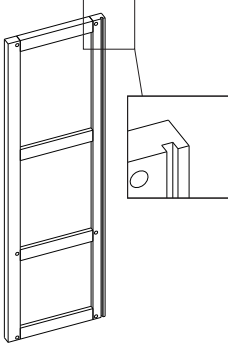
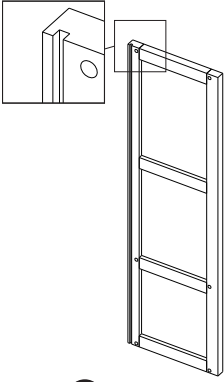
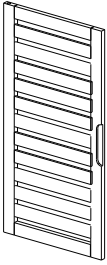
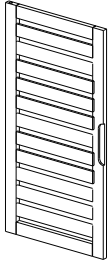
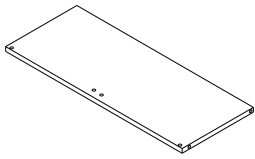
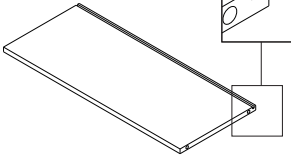
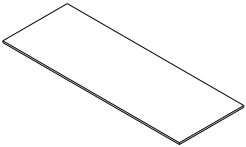
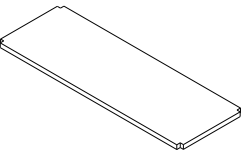
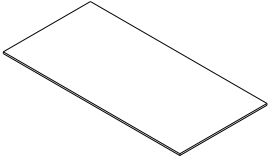
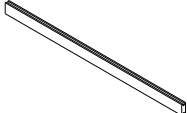
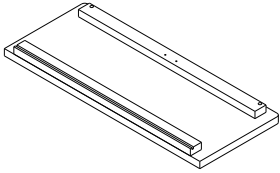
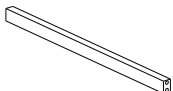


7. For ease of construction, you may need to use a drill.

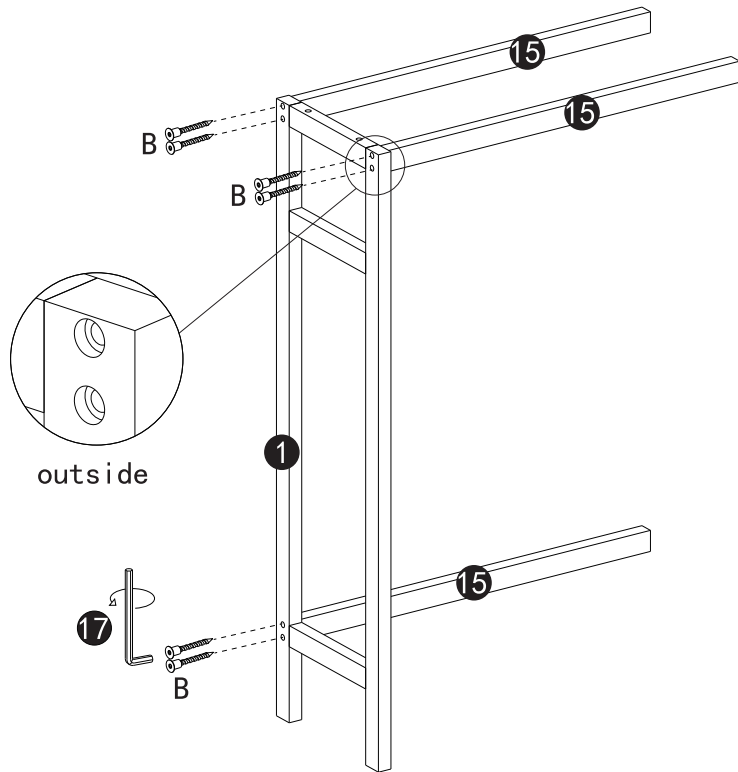
HARDWARE

 8 X 4	 12 X 4	 16 X 2	 17 X 1	 18 X 1	 A x 4
 B x 24	 C x 8	 19 X 1	 20 X 1	 21 X 1	 22 X 1

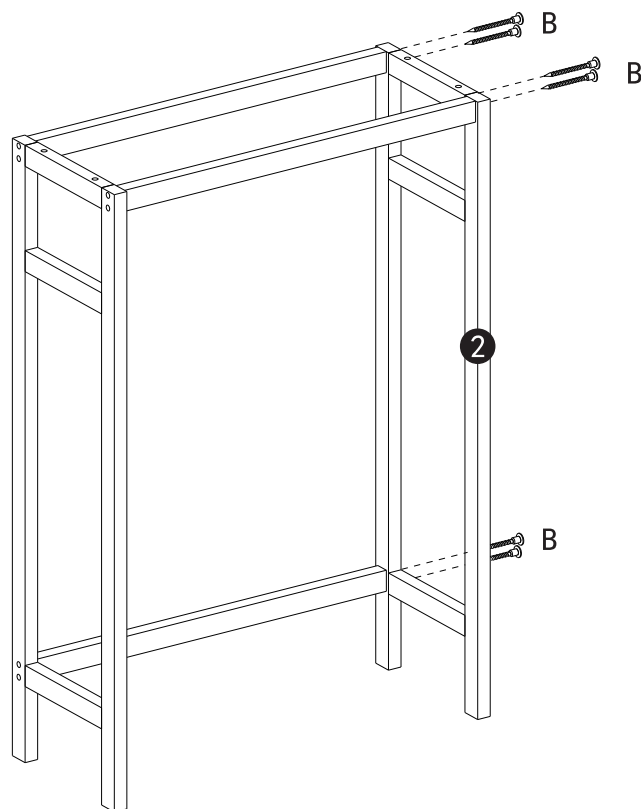
PARTS

 1 X 1	 2 X 1	 3 X 1	 4 X 1
 5-L	 5-R	 6 X 1	 7 X 1
 9 X 1	 10 X 1	 11 X 2	
 13 X 2	 14 X 1	 15 X 3	

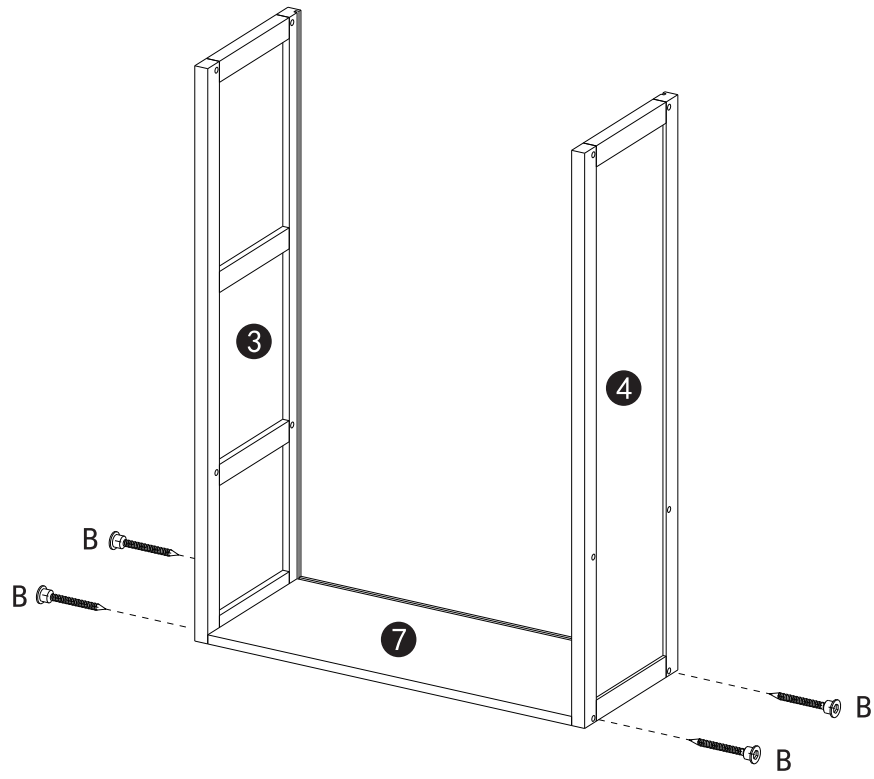
STEP1



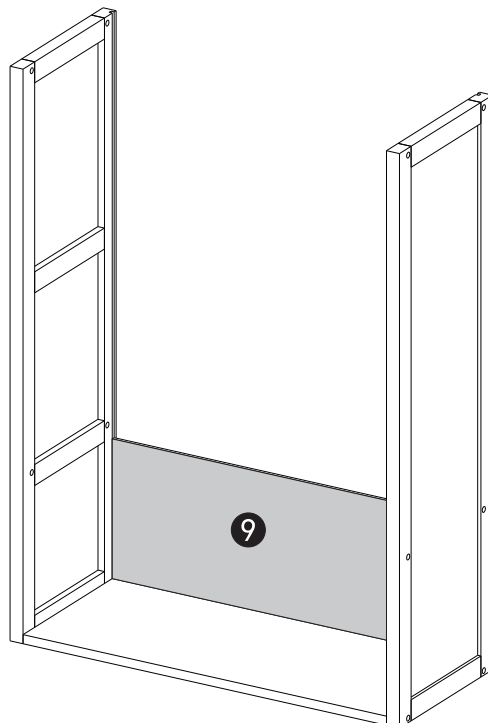
STEP2



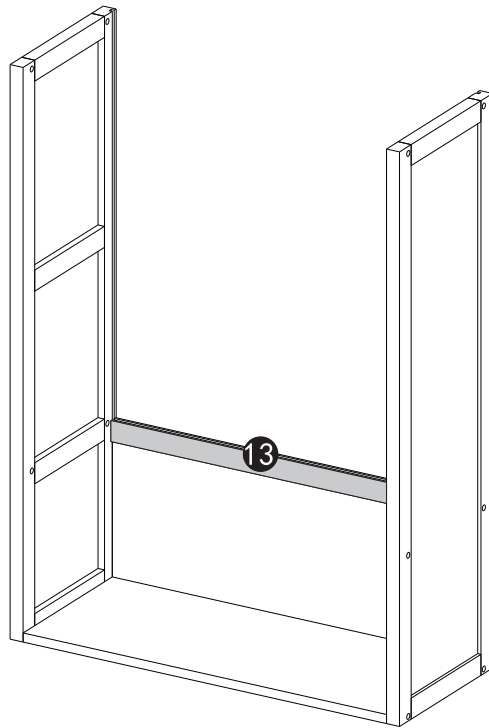
STEP3



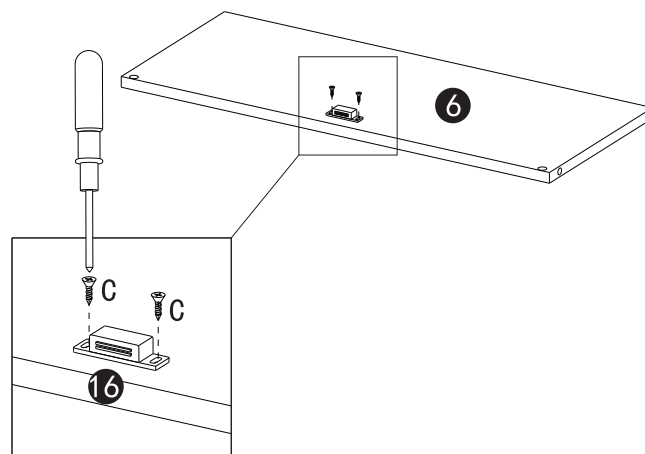
STEP4



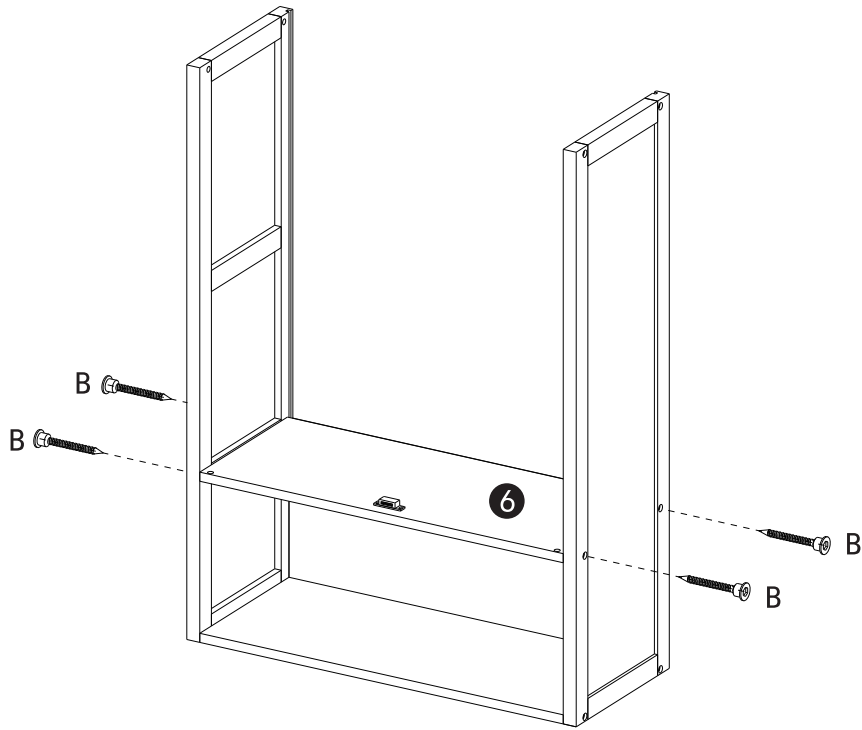
STEP5



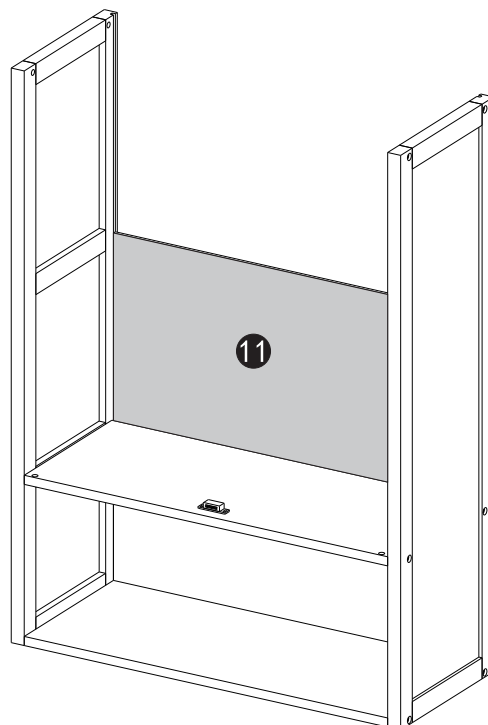
STEP6



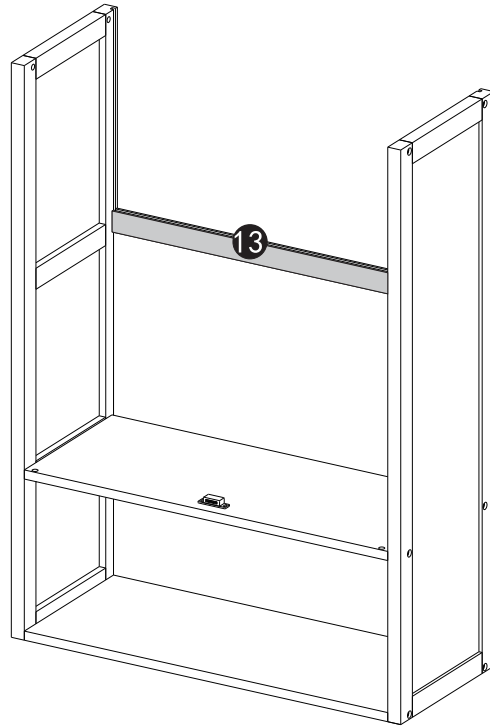
STEP 7



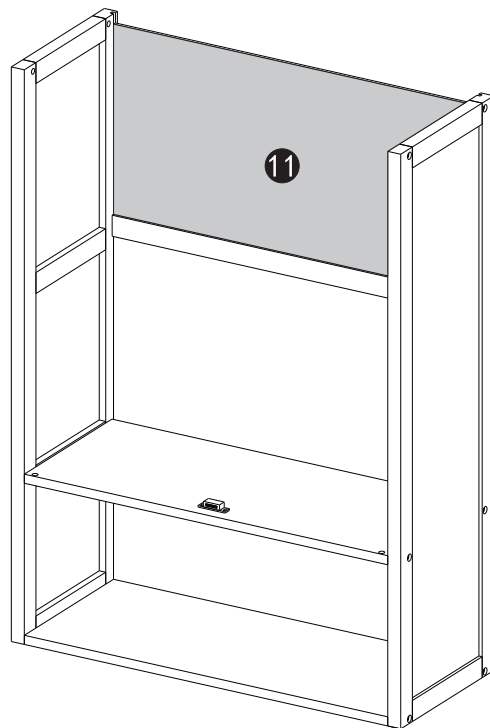
STEP 8



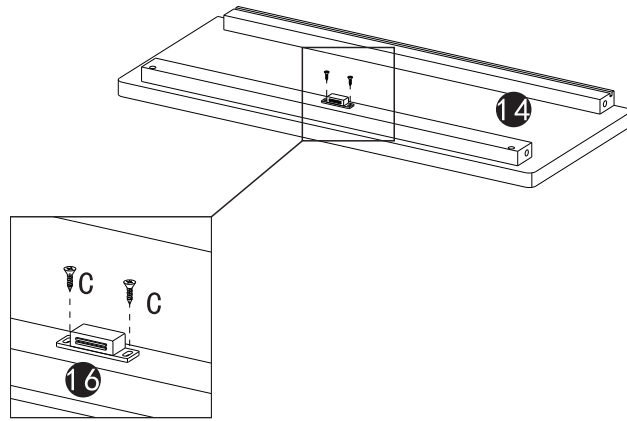
STEP9



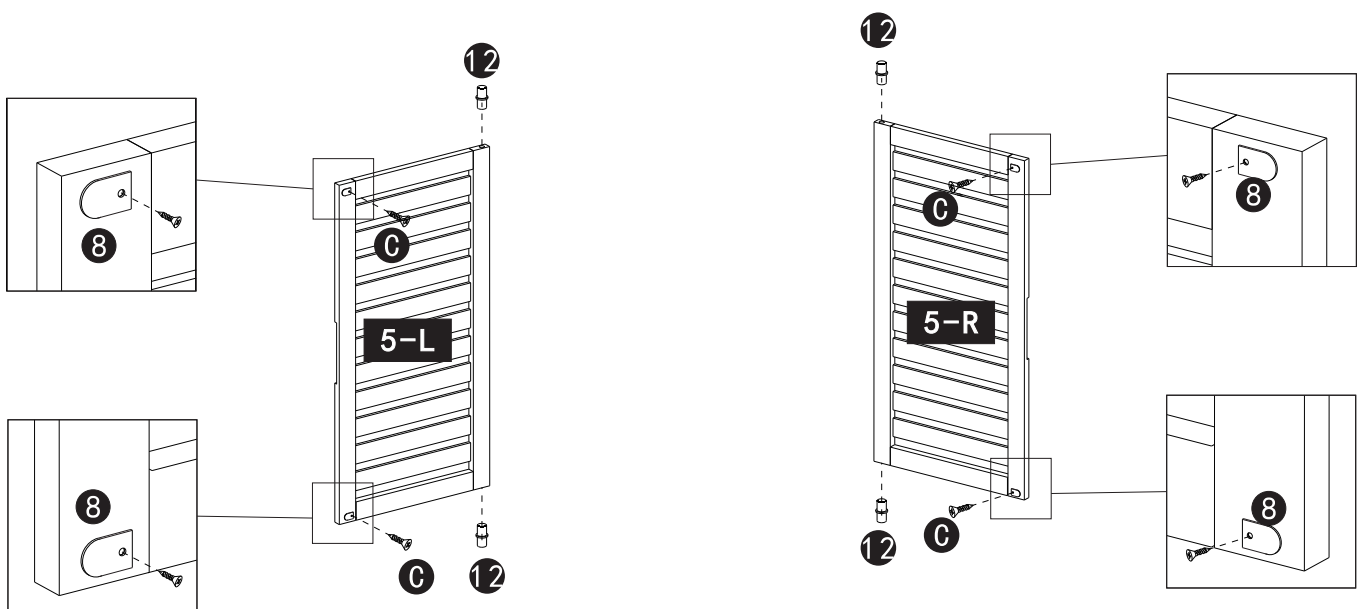
STEP10



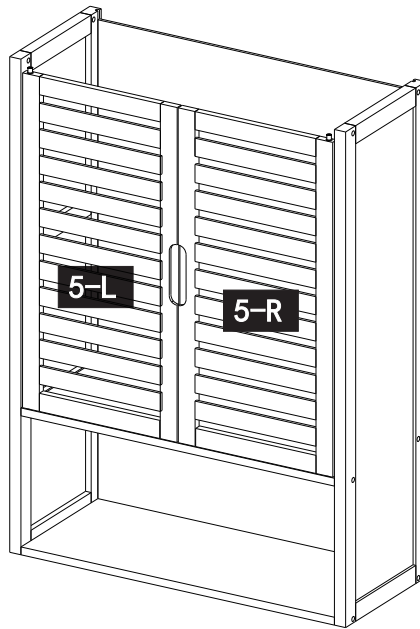
STEP 11



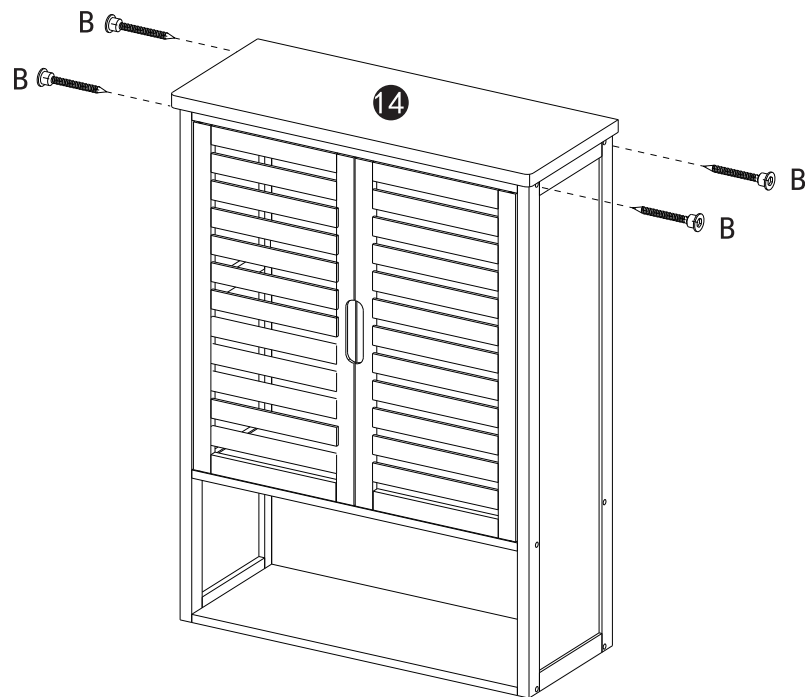
STEP 12



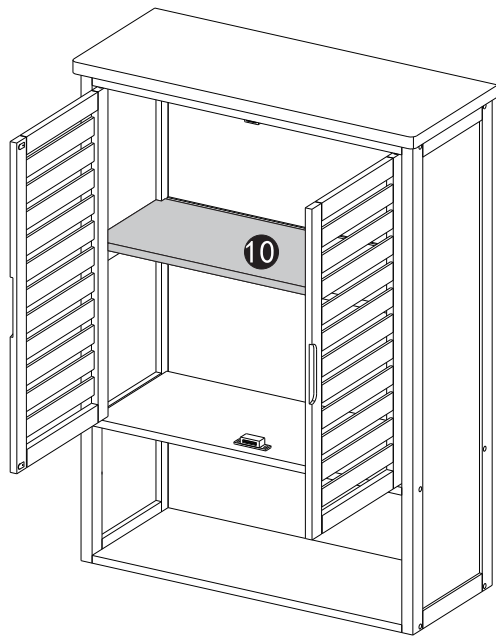
STEP13



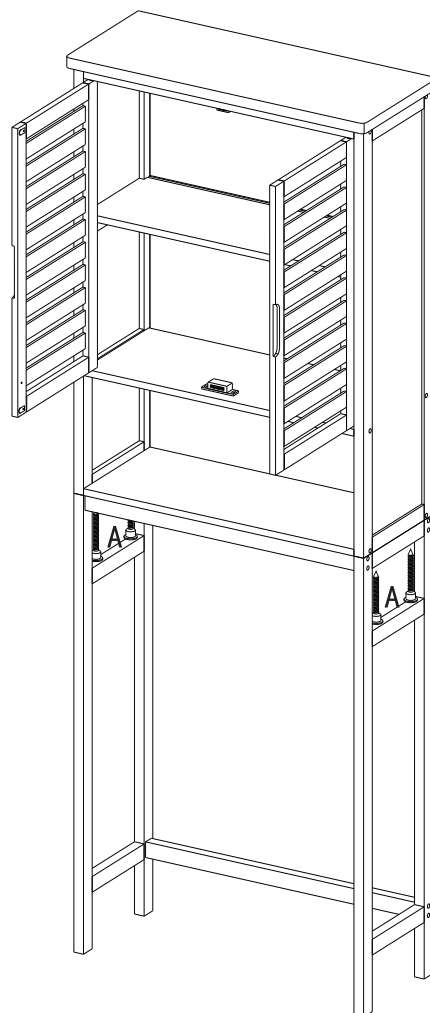
STEP14



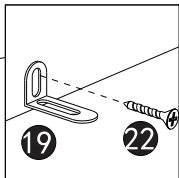
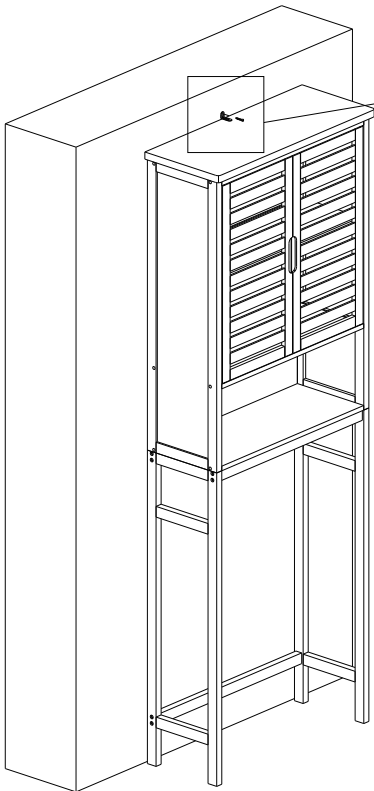
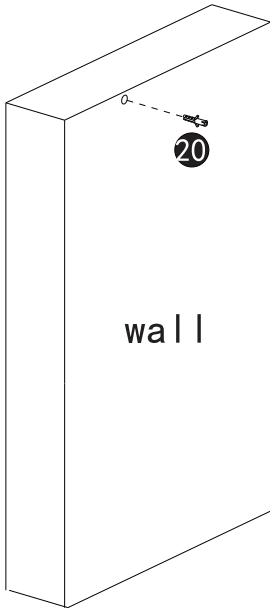
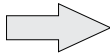
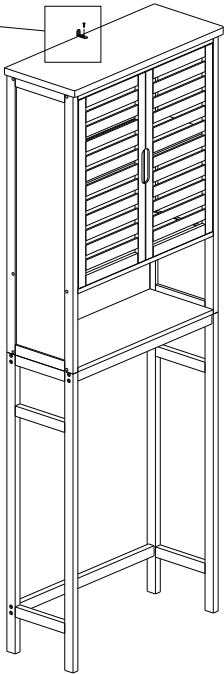
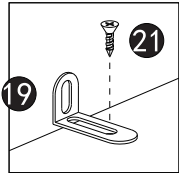
STEP15



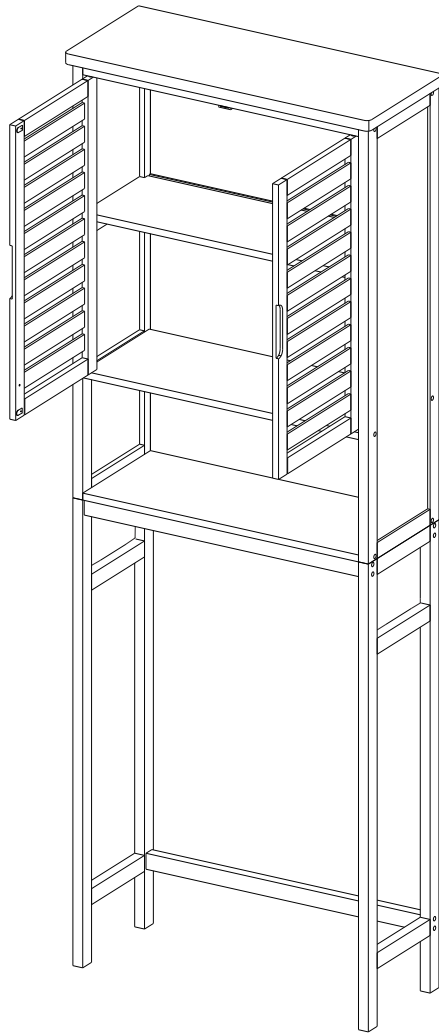
STEP16



STEP 17



ENJOY YOUR PRODUCT!



WARNING

Manufacturer and seller expressly disclaim any and all liability for personal injury, property damage or loss, whether direct, indirect, or incidental, resulting from the incorrect attachment, improper use, inadequate maintenance, or neglect of this product.