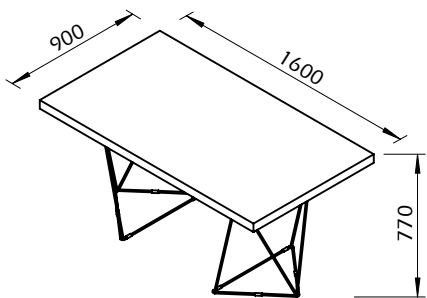
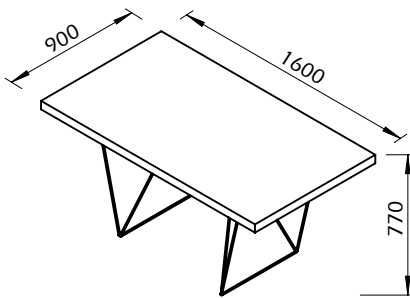


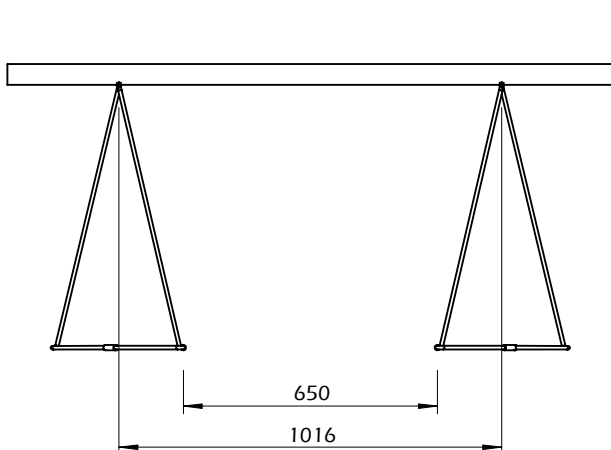
Technical Information



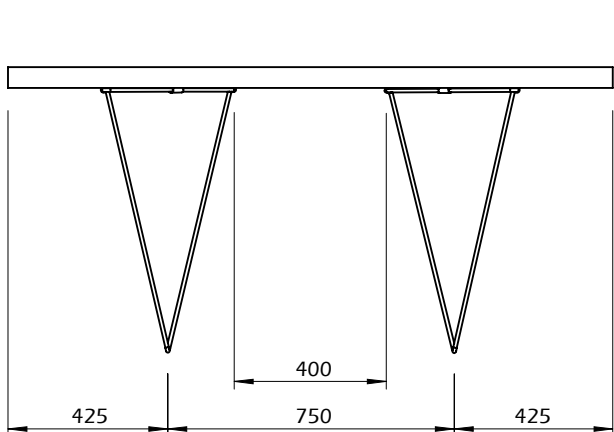
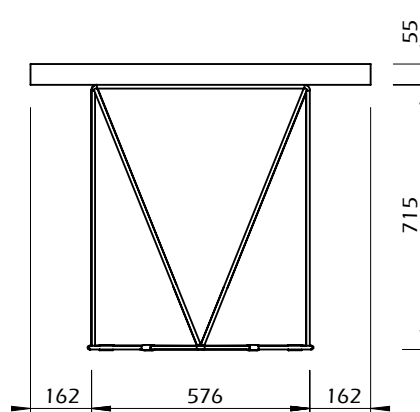
OPTION 1



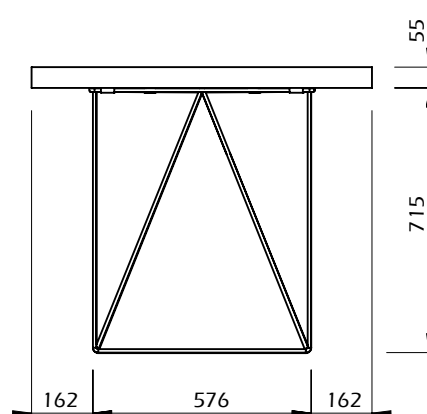
OPTION 2



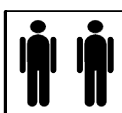
OPTION 1



OPTION 2



20min



25kg