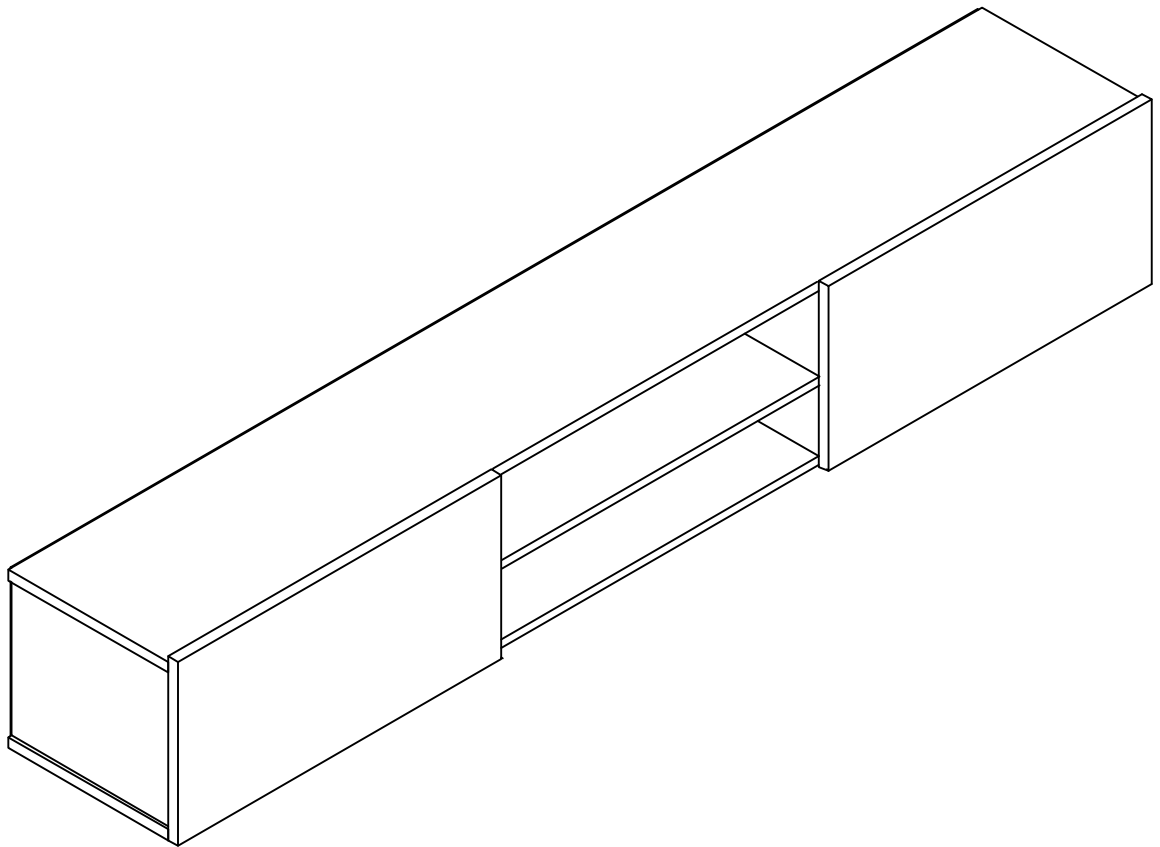


ASSEMBLY MANUEL



Sculley Floating Tv Stand 71"

Please Read Our Introduction



ES
 Cliente valioso,
 Diseñamos y fabricamos
 cuidadosamente nuestros productos
 para nuestros clientes, Deseamos que
 nuestros clientes se diviertan mientras
 hacen sus nuevos muebles

El producto que acaba de adquirir ha
 sido sometido a todo tipo de pruebas
 y controles antes de ser enviado a
 usted.

Esperamos que disfrute con sus
 nuevos muebles!!!

EN
 Valued Customer,
 We design and carefully
 manufacture our products for our
 customers, We wish that our
 customers to have fun while they
 are doing their new furniture

The product you just purchased
 was subjected to all sorts of tests
 and controls before sending out to
 you.

Hope you enjoy your new
 furniture!!!



ES
 Aunque todos los productos se fabrican y
 embalan cuidadosamente, a veces se
 producen daños durante el transporte.

En estos casos, por favor, compruebe la
 pieza dañada, anote el número de pieza
 escrito en la misma y no dude en
 ponerse en contacto con nosotros.

EN
 Although all products are carefully
 manufactured and packed,
 sometimes we
 experience damage during
 transportation.

In such cases, please check the
 damaged part,
 note the part number written on
 the part and
 do not hesitate to contact us

Mail : info@kybeleddecor.com



ES
 Las piezas de los muebles se someten a
 varios procedimientos de fabricación.
 Durante este proceso, las piezas pueden
 tener poco polvo o marcas.
 Por favor, limpie las piezas con un paño
 antes del montaje para obtener el mejor
 resultado.
 La limpieza habitual sería suficiente.

EN
 Furniture parts are going to several
 manufacturing procedures. During this
 process, parts can have little dust or
 marks. Please clean the parts with
 damp cloth before assembly to get
 the best result. Usual cleaning would
 be suffice.



ES
 Antes de comenzar, por favor,
 compruebe todos los componentes y
 accesorios de acuerdo con la lista
 proporcionada. Si ha comprado más
 de un producto, para evitar
 confusiones, asegúrese de que ha
 completado el primer producto y
 luego empiece con el siguiente. Por
 favor, asegúrese de seleccionar la
 pieza numerada correcta y de utilizar
 el conector específico para el montaje.
 No recomendamos ninguna
 modificación o rotación en el montaje.
 Por favor, siga el manual
 cuidadosamente.

EN
 Before starting, please check all
 components
 and accessories according to the
 provided list.
 If you purchased more than one
 product, to prevent confusion, be sure
 that you completed the first product,
 then start the next one.
 Please make sure that you select correct
 numbered part and use specific
 connector to assemble.
 We do not recommend any
 modification or rotation in assembly.
 Please follow the manual carefully.

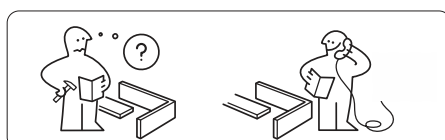
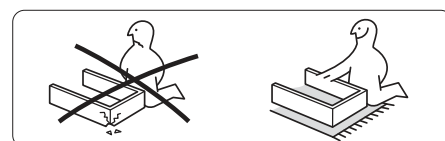
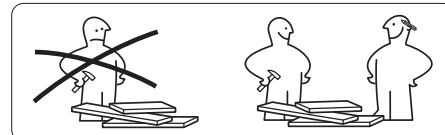
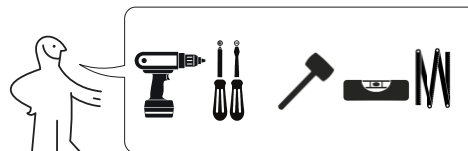


ES
 No utilice sus muebles para fines
 distintos.
 Si desea utilizarlo fuera de propósito o le
 gustaría hacer alguna modificación o
 rotación, por favor póngase en contacto
 con nosotros para más detalles.

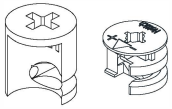
Por favor, no exponga sus muebles al
 calor, frío
 y humedad excesivos porque el
 producto puede verse afectado
 negativamente.

EN
 Do not use your furniture for out of
 purposes.
 If you would like to use it out of purpose
 or
 would like to do some modification or
 rotation, please contact us for more
 details.

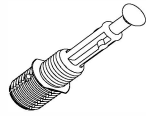
Please do not expose your furniture with
 excessive heat, cold and humidity
 because product can be
 affected negatively.



How to instal Components



MINIFIX
HEAD



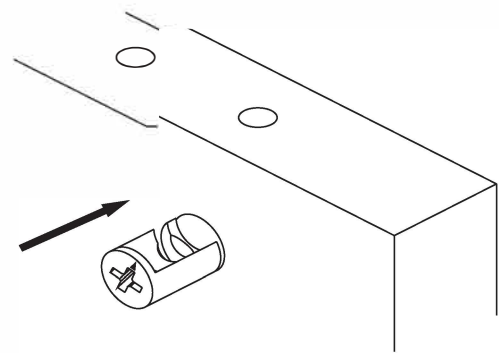
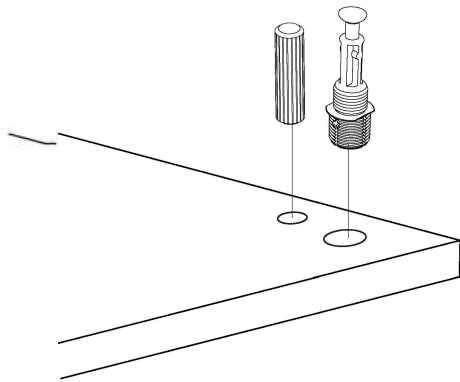
MINIFIX
SCREW



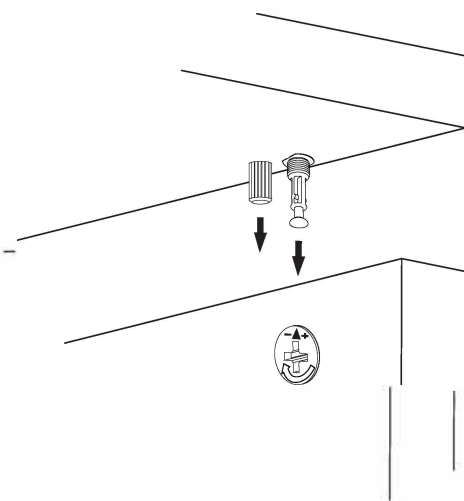
DOWEL

If the dowel is not required during the installation phase, it is not included in the package.

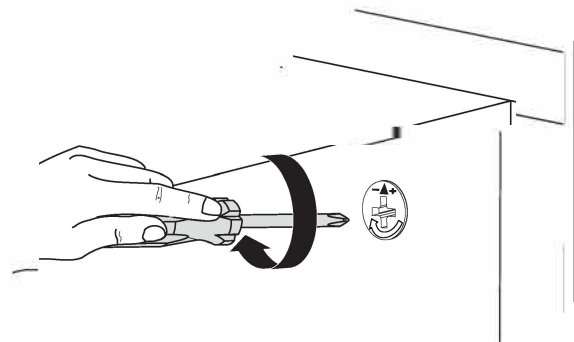
*Please notice that there is an small arrow on A03 (minifix head). This arrow should show the direction of upper hole.



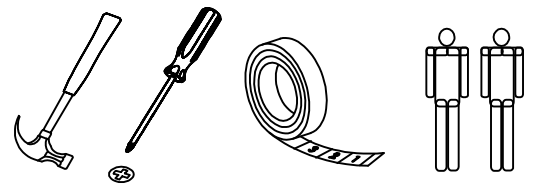
*After attaching two pieces please turn the A03 (minifix head) clockwise direction with the help of a screwdriver.



*Please do not over screw the minifix head since it may be broken if too much power is imposed. Just make sure that it is screwed to the direction "+" do not go any further.

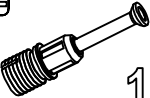



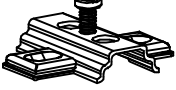
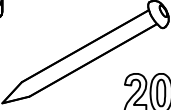


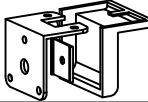
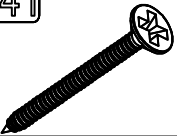

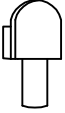


Minifix is the main connection material used in products. Before starting assembly, please check the drawings below... Please use the wall mounting system for the TV The floating TV unit only carries 35lbs.



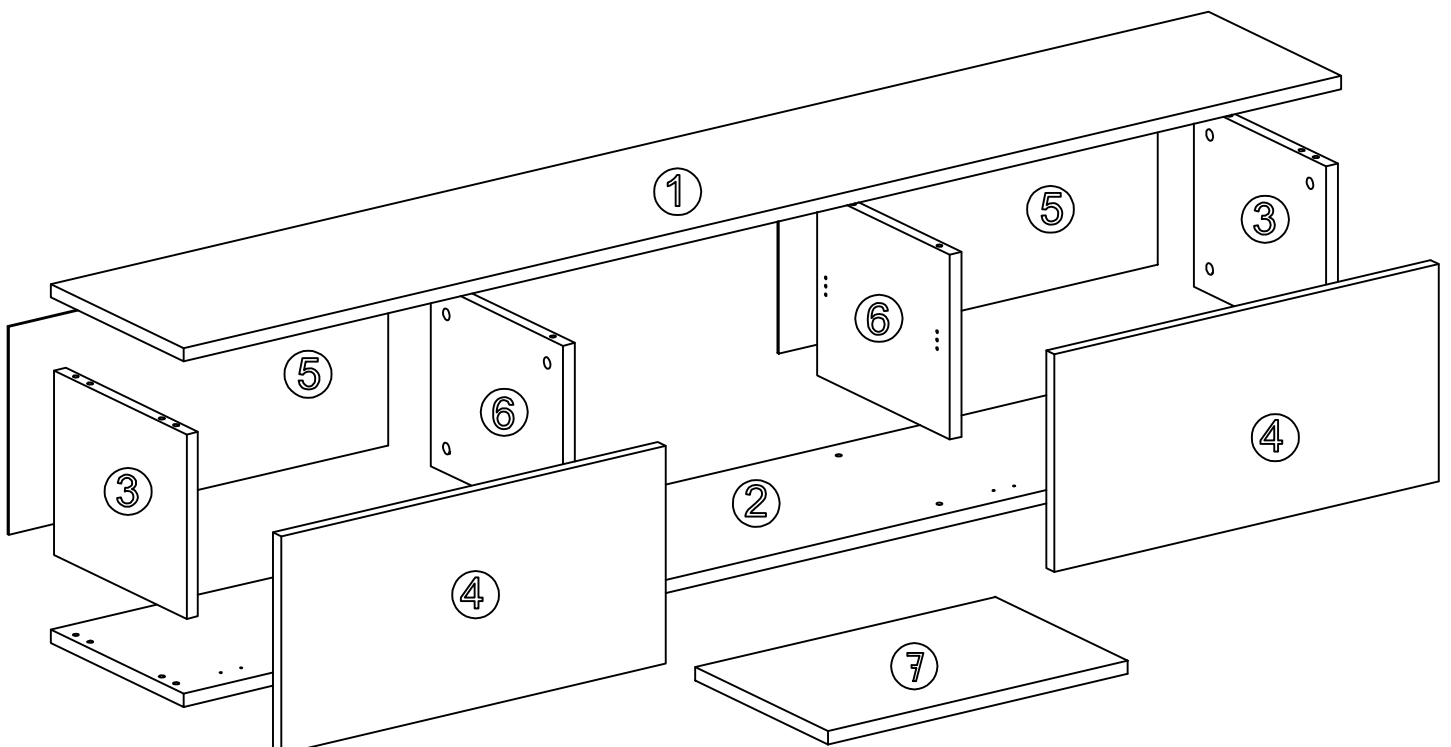
The necessary tools (not included)

ACCESSORY LIST

 <p>A02 16x</p>	 <p>A01 16x</p>	 <p>A03 8x</p>	 <p>A12 4x</p>	 <p>A13 4x</p>
 <p>A28 20x</p>	 <p>A04 A 16x</p>	 <p>A10 3,5x18 28x</p>	 <p>A41 6x</p>	 <p>D41 5x70 YHB 6x</p>
 <p>A08 Ø8 6x</p>	 <p>A09 Ø5 4x</p>			

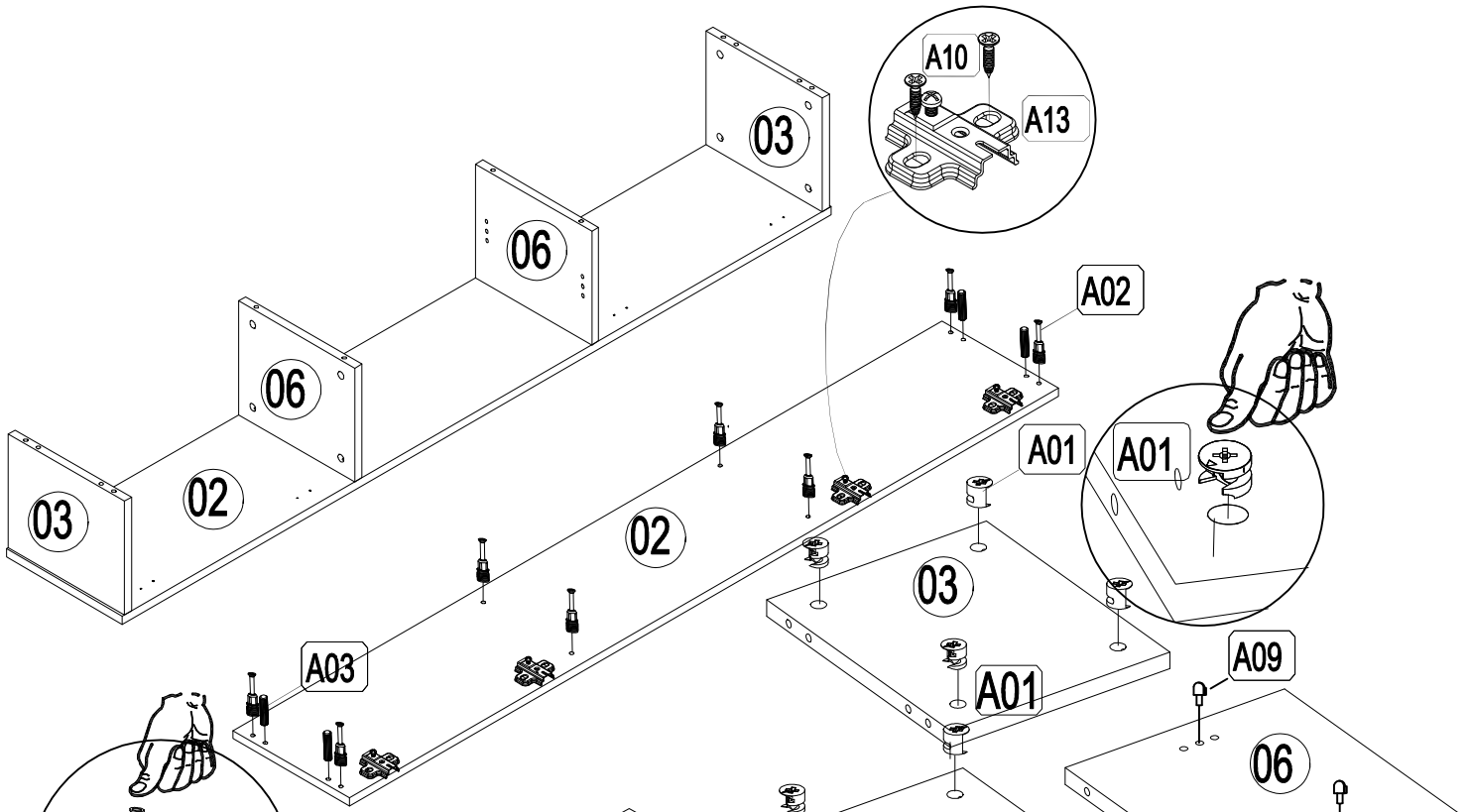
Note: Some accessories are extra as spares.

GENERAL VIEW

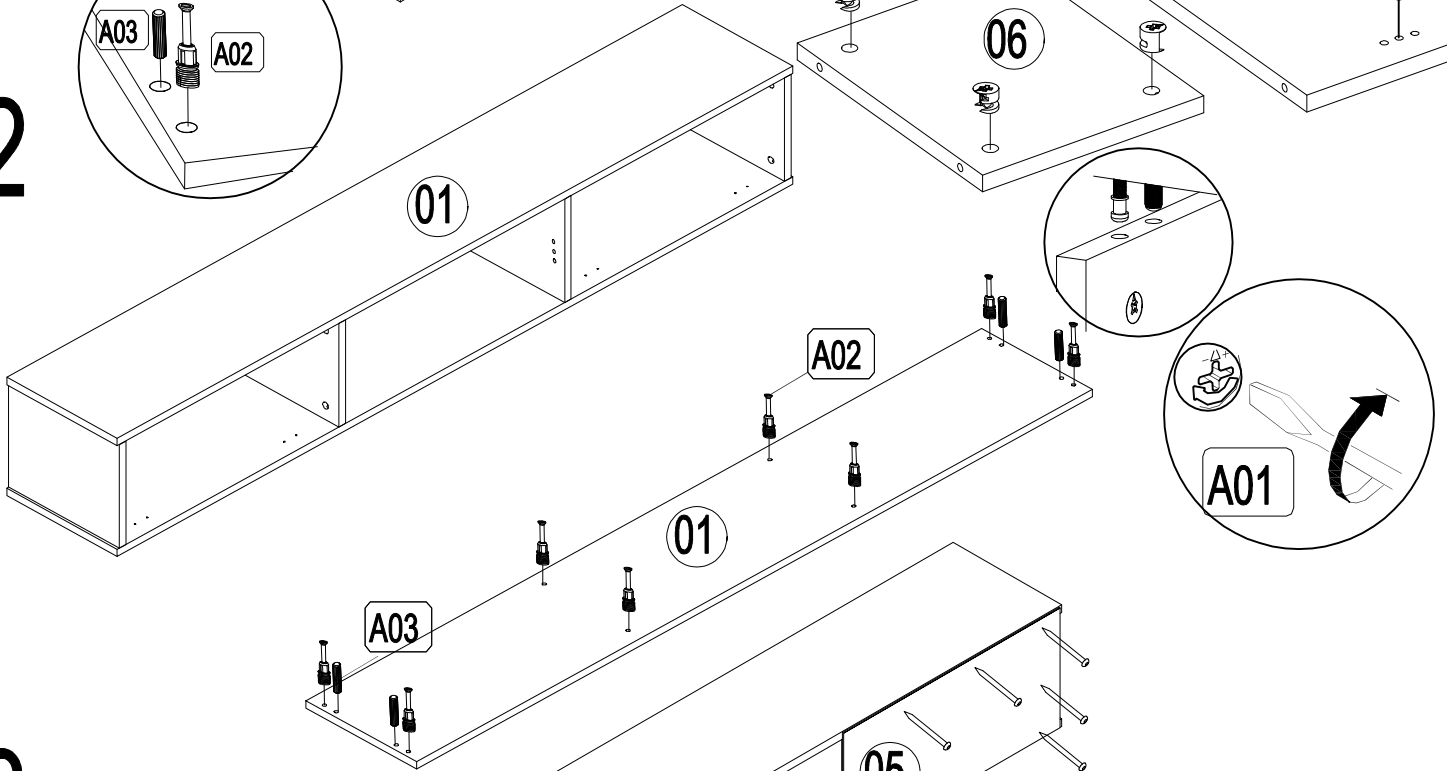


ASSEMBLY MANUEL

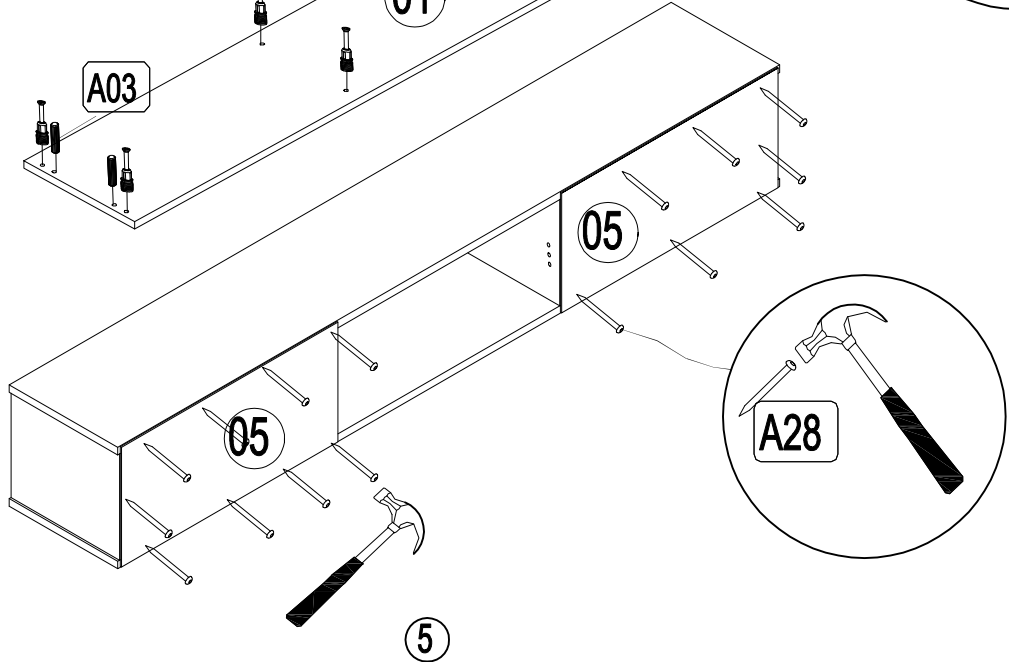
1



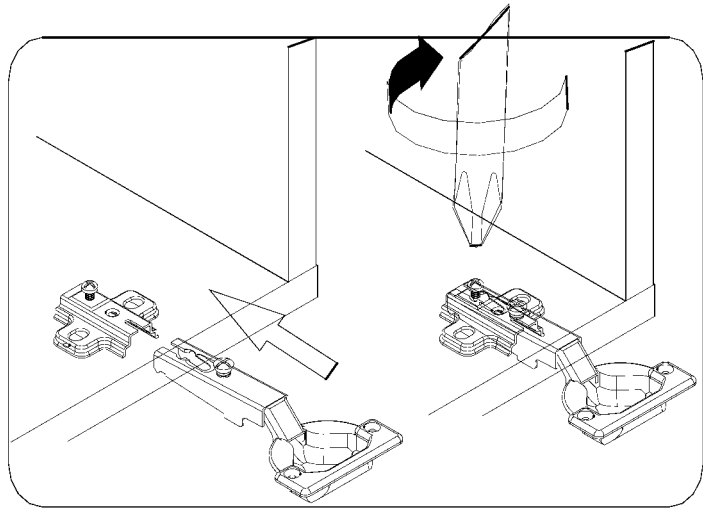
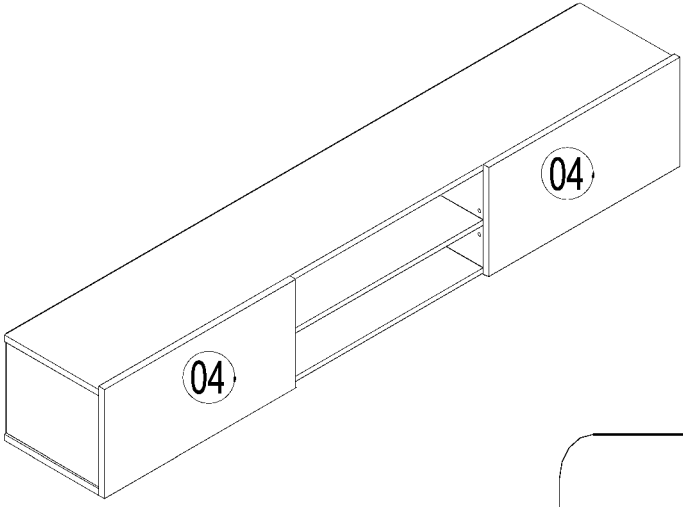
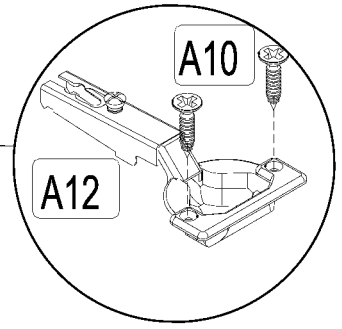
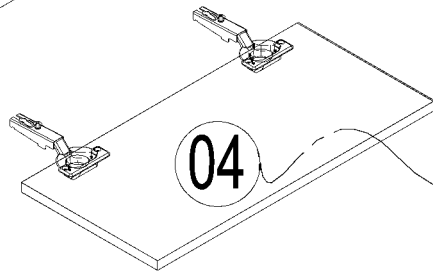
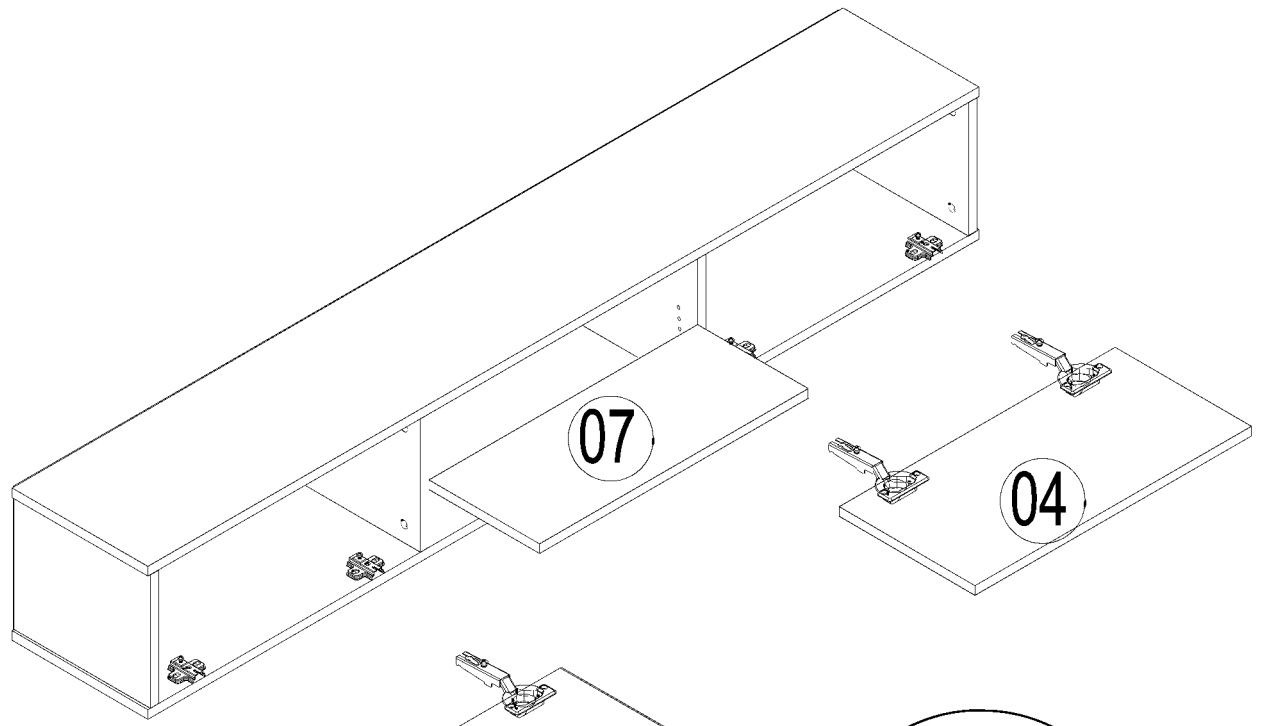
2



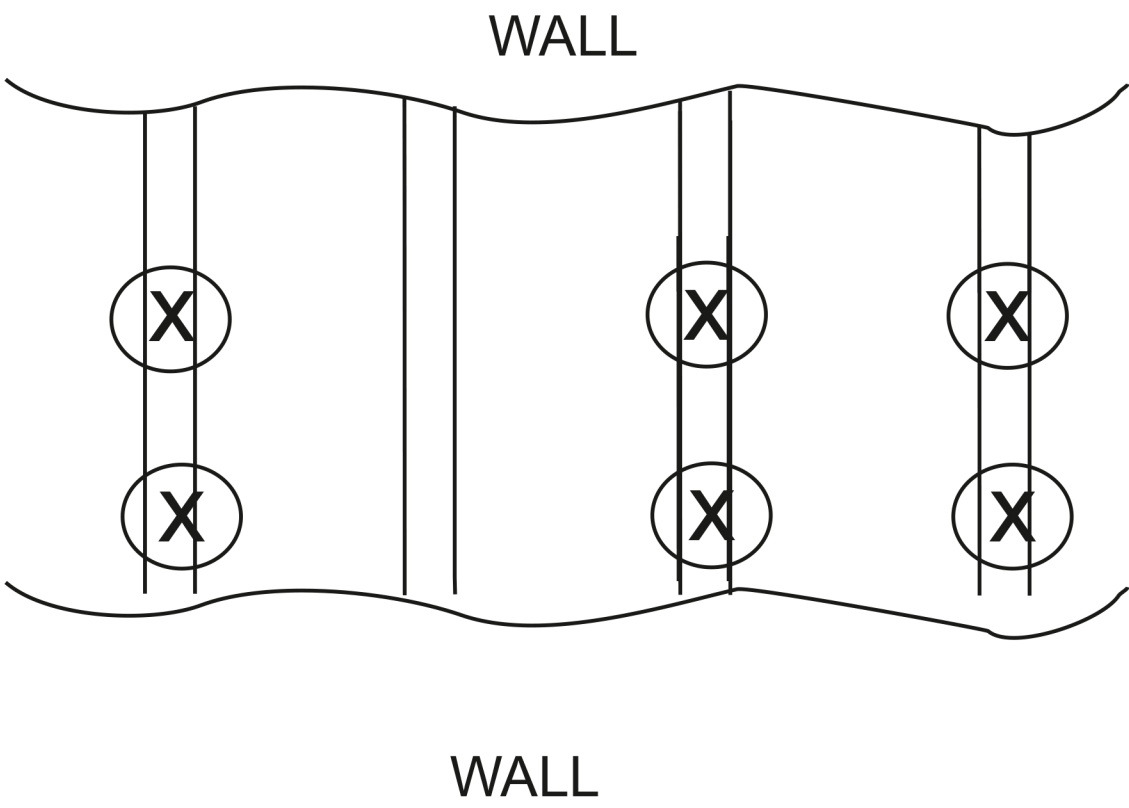
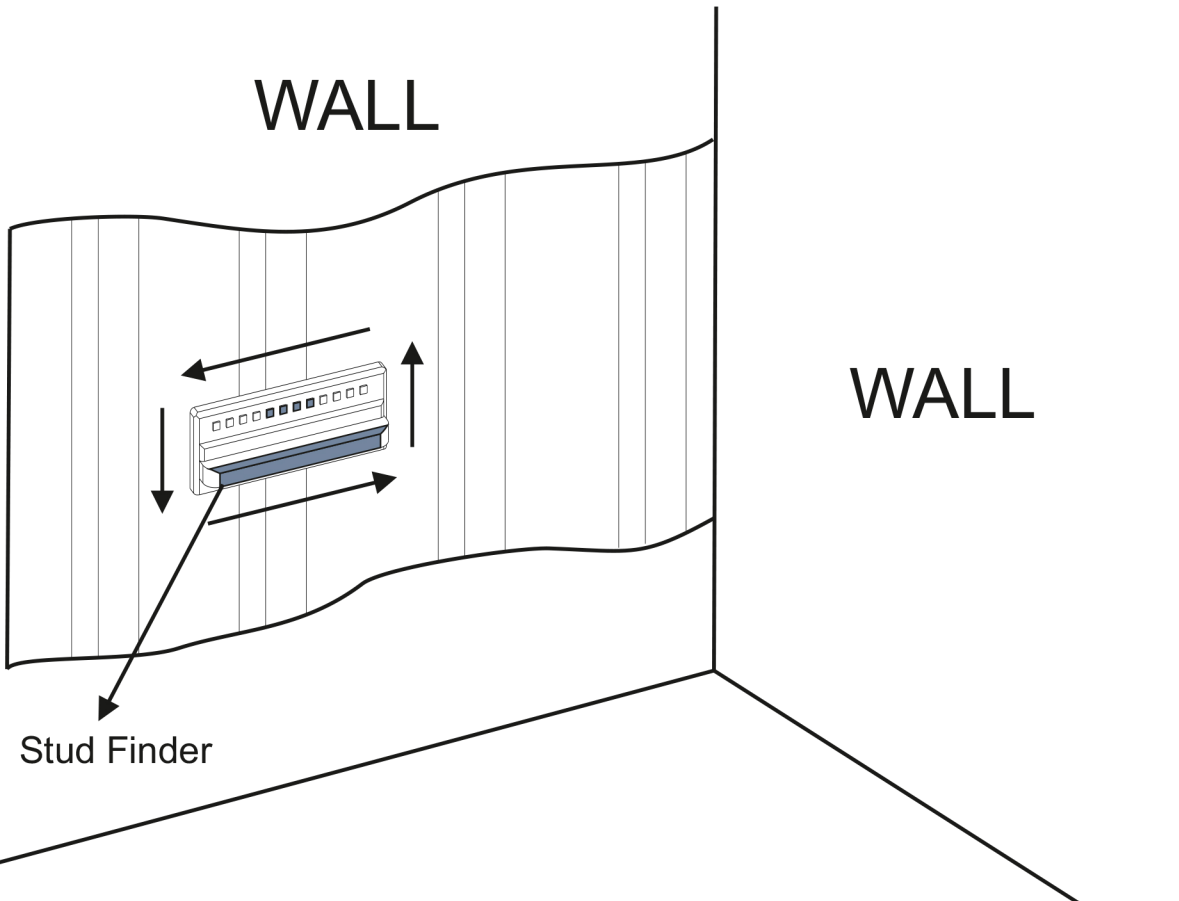
3



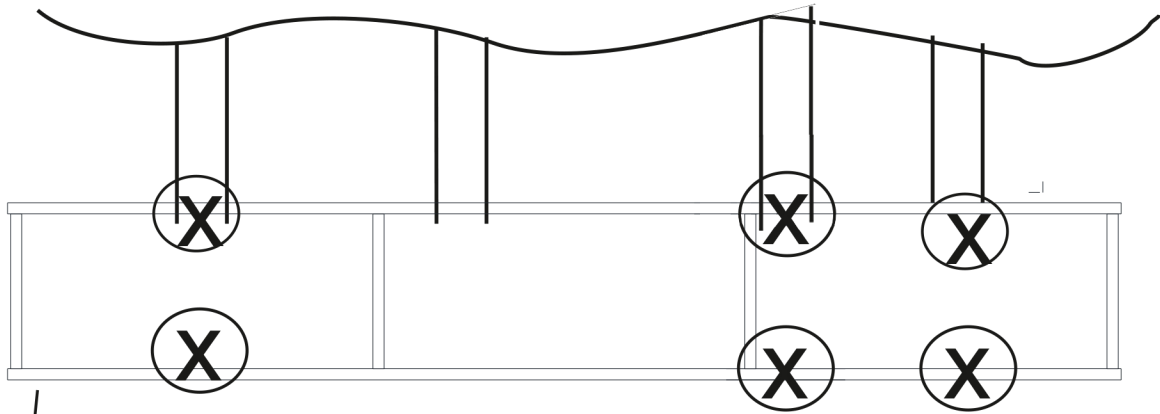
5



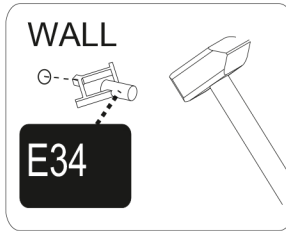
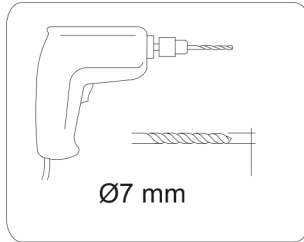
6



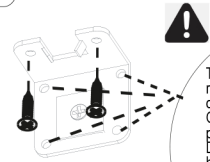
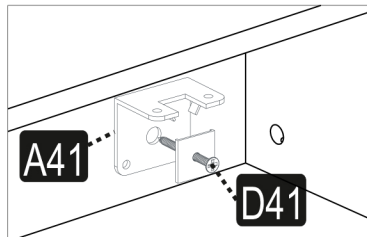
WALL



PART-1



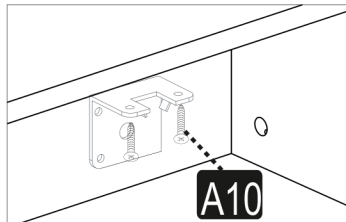
PART-2



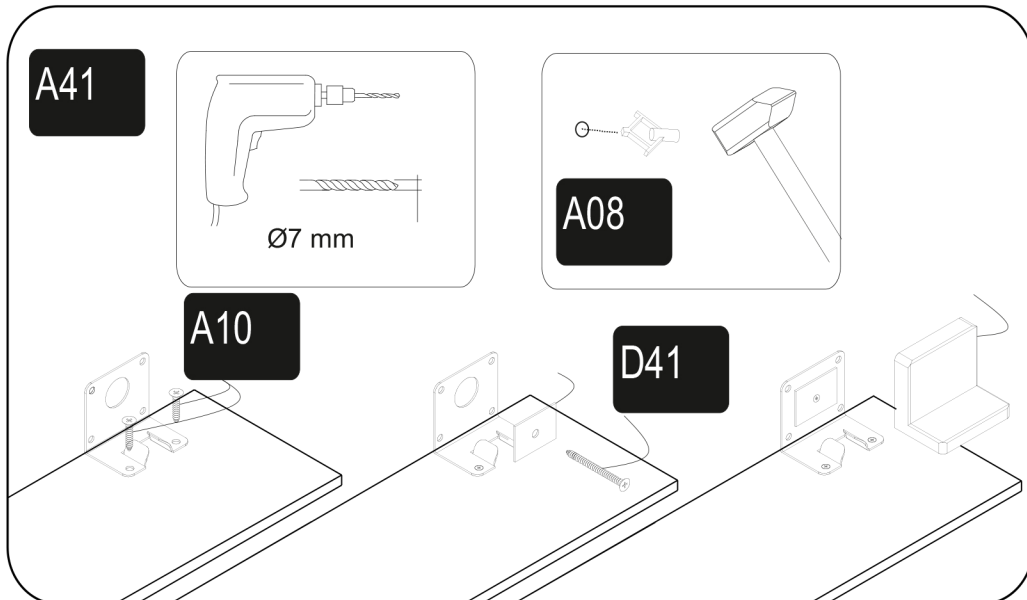
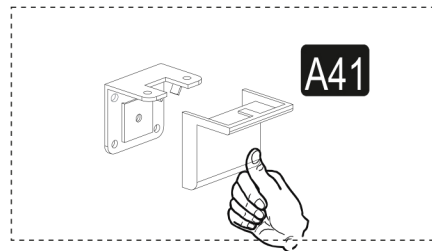
WARNING!

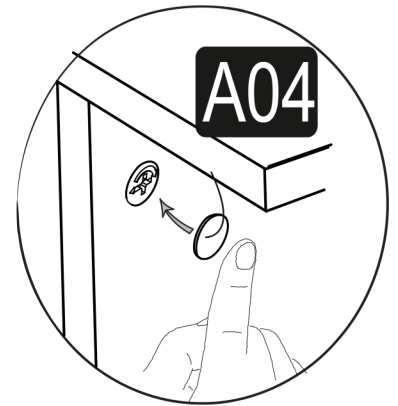
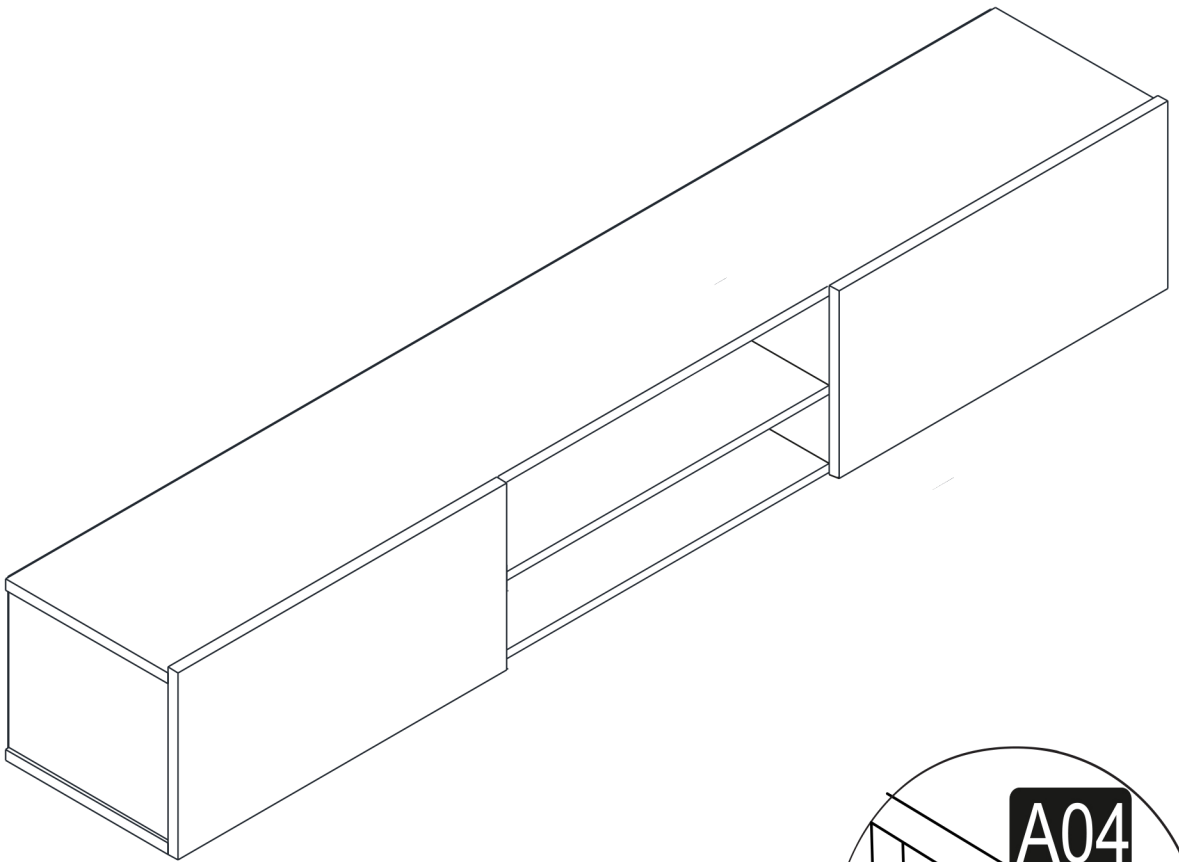
These four holes serve as reference marks. No screwing operation will be performed. Only perform the mounting process to the wall with the D41-coded screw into the large hole in the center of these four holes. Secure the top two holes to the particleboard with A10-coded screws, as shown in the diagram on the side.

PART-3



PART-4





You can mount it on the wall by referencing the wall mounting video of our similar product from the QR code on the side.

You can contact us if you have any problems with the installation of the product.

Contact Us
info@kybeleddecor.com