




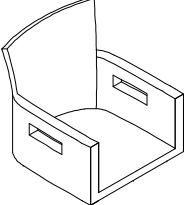
## Assembly Instruction

Please assemble on soft surface after removing contents as not to scratch or damage stone surface.  
Enjoy!

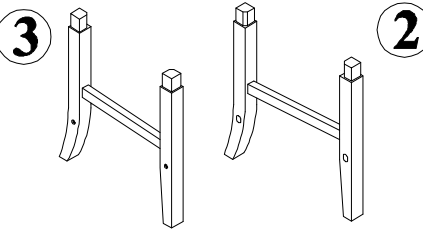
Item	Description	Q'ty
A	 Screw 6x50	04
B	 Screw 6x25	08
C	 Alien Key	02

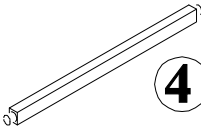
**Seat Unit ( 1pc )** ①

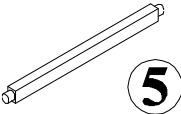
**Leg**


**Front crossbar**

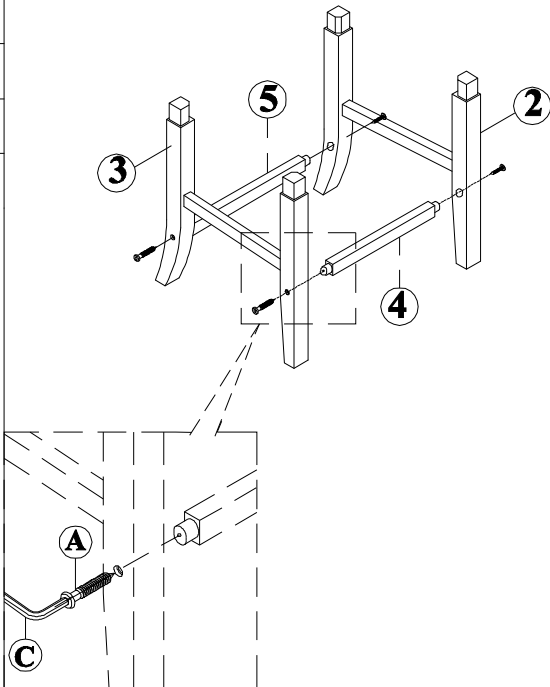
**Back crossbar**

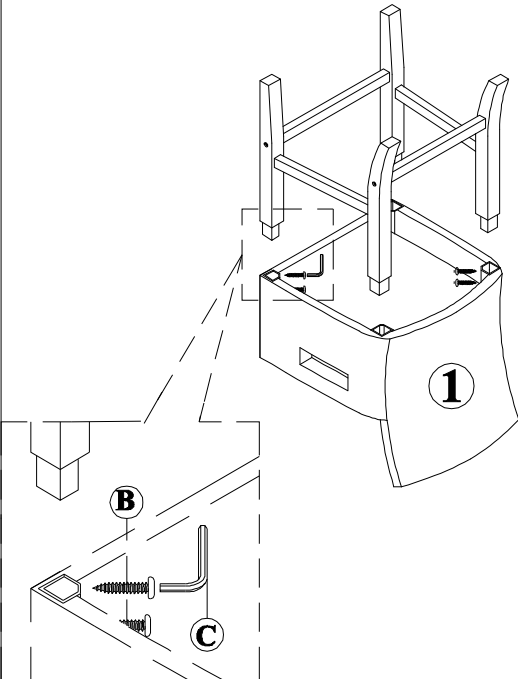
**Seat Cushion ( 1pc )**



**STEP 1** •Assemble two leg "2" "3" with crossbar "4" "5", Fasten (4) "A" Screws.

**STEP 2** •Put the legs into given holes. •Fasten (8) "B" Screws.



**STEP 3** •Enjoy.

