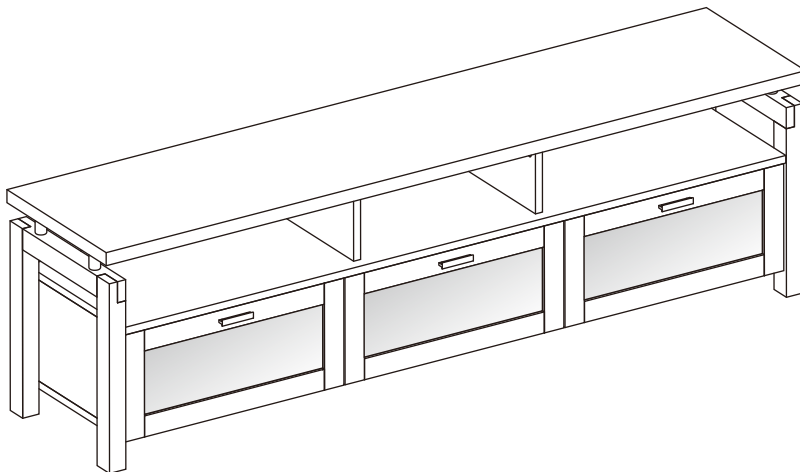


ASSEMBLY INSTRUCTIONS



TOOLS REQUIRED



**Phillips
Screwdriver**

(Not Included)



Hammer

(Not Included)



**2 - Persons
Recommended**

ASSEMBLY RATING



EASY —————> DIFFICULT

The Assembly Rating is a 5-point system showing the level of effort needed to assemble a specific product.

Thank you for your purchase!

We hope you enjoy this new addition to your home for many years to come.

Our commitment to providing quality products does not simply end when you purchase our product. We fully stand behind our products from start to finish. Our customer service department is available and can help with assembly questions as well as, if necessary, replacing damaged or missing parts. To help expedite our service, please have these assembly instructions readily available, along with your order receipt.



CHECK BEFORE STARTING

Are you missing anything?

Double-check all parts, hardware and accessories listed on Page 6 are accounted for.

Check out our Quick Tips!

We recommend reviewing the pre-assembly handouts. Even experts need a refresher now and then!

Should we send any replacements?

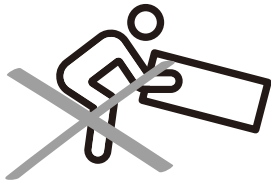
Are there any irregularities or flaws in the parts? We can send replacements!

Prep Time!

Please review the assembly instructions and all diagrams prior to assembling. Arrange parts as recommended on Page 7 and group identical hardware together to make assembling easier.

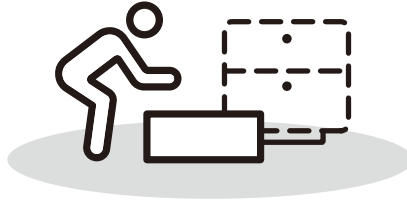
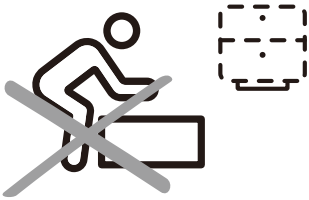
PRE ASSEMBLY INTRODUCTION

We understand building ready-to-assemble furniture can be a challenging experience for some. To help avoid confusion, we have provided some helpful tips that may speed up the process.



Teamwork

ALWAYS have at least two people to help with transporting and assembling the product to avoid potential injury and/or damage.



Suitable Location

Assembling near the area of the intended location is highly recommended.



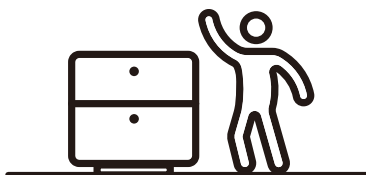
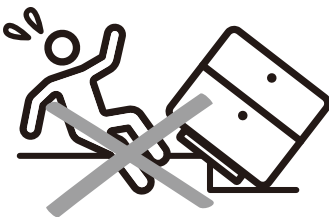
Sufficient Space

Make sure you have enough space to move around during the assembly.



Avoid Scratches

Use cardboard, blankets or a carpeted area while assembling furniture to prevent scratches.



Flat Surface

Make sure the furniture rests on a flat and level surface with each leg evenly touching the floor.

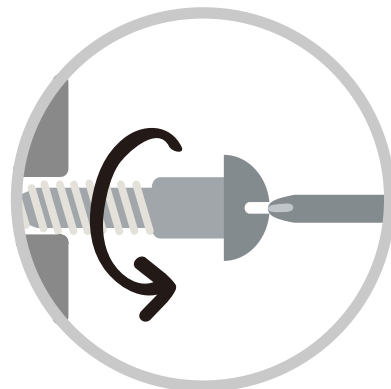
ASSEMBLY AND CARE ADVICE



**FAILURE TO FOLLOW THE GUIDELINES BELOW MAY
RESULT IN INJURY AND/OR PROPERTY DAMAGE.**



Position each part correctly
and insert screws or bolts into
their respective holes.



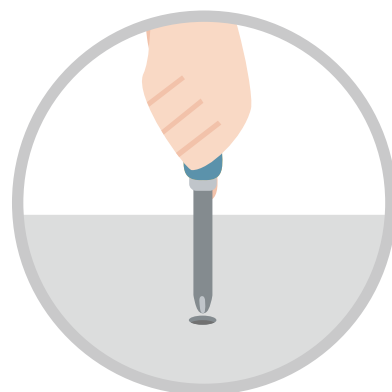
Turn clockwise to tighten and
only tighten when step is
completed or when instructed
to do so.



Use the appropriate hand tools
or power tools for assembly.
Select steps, such as tightening
screws and/or bolts, may require
hand tools to avoid causing
damage during assembly.



Save the instructions and store
any supplied tools for later
maintenance.



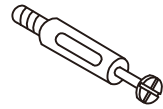
After two weeks, check and
tighten any loose hardware and
repeat again every six months
thereafter.

IT IS THE USER'S RESPONSIBILITY TO MAINTAIN THE FURNITURE. THE HARDWARE MAY LOOSEN OVER TIME AND MAY CAUSE THE FURNITURE TO BE WOBBLY AND UNABLE TO SUPPORT ITS INTENDED WEIGHT CAPACITY. THIS MAY LEAD TO COLLAPSE AND MAY CAUSE SERIOUS INJURY.

CAM LOCK FASTENER ASSEMBLY INSTRUCTIONS

Note :

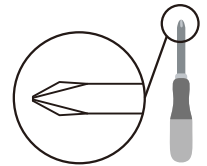
Every cam lock bolt must have a cam lock connector in order to fasten the parts together.



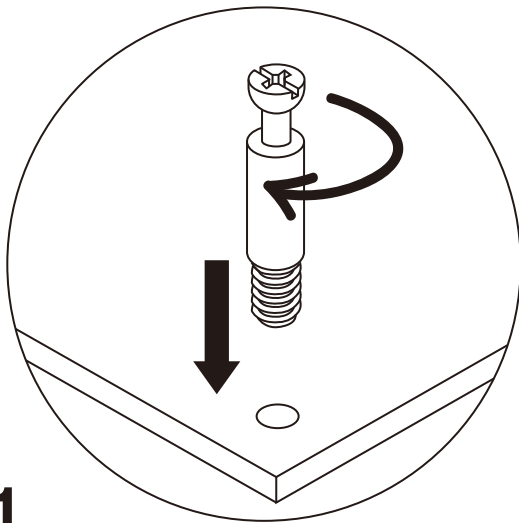
cam bolt



cam lock

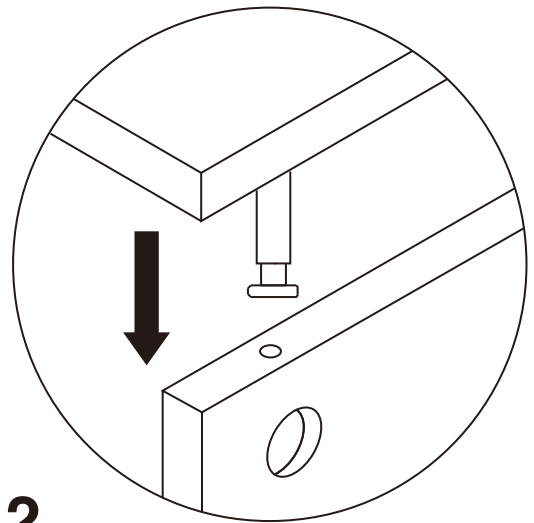


screwdriver



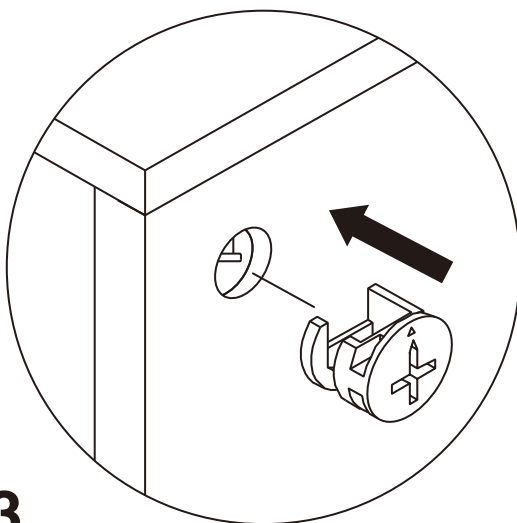
1

Screw the cam bolt into panel.



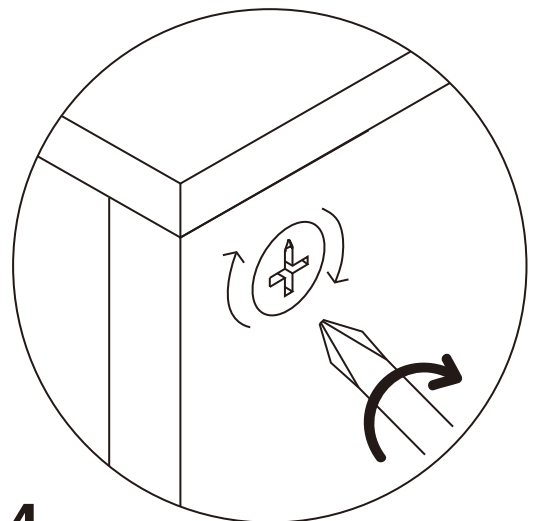
2

Insert the cam bolt into the bolt hole of joint panel.



3

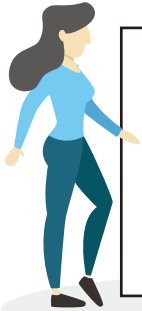
Align the cam lock with its side opening (or arrow) pointing to cam bolt.



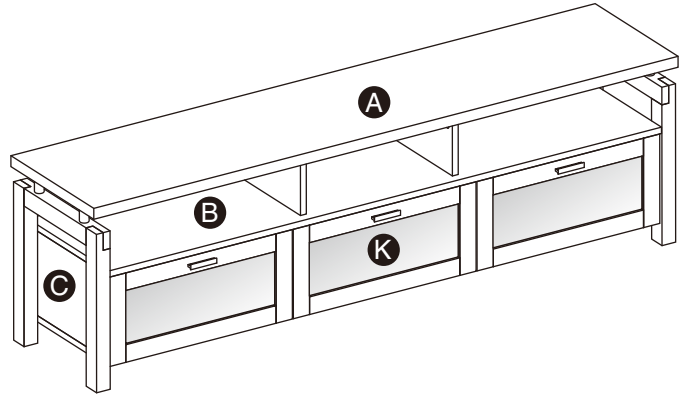
4

Turn the cam lock clockwise gently until it will not turn any more.

TV STAND

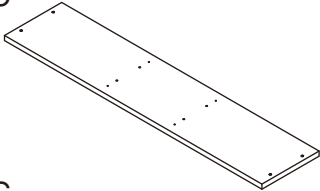


- Please keep instructions for future reference.
- Check the quantity and irregularity of parts and hardware before you start.

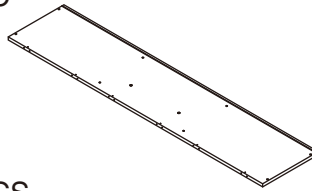


PARTS

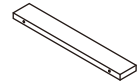
A 1PC



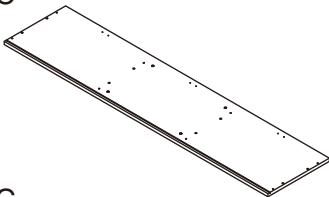
E 1PC



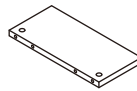
I 1PC



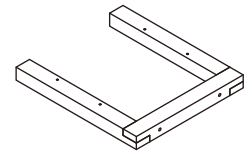
B 1PC



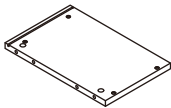
F 2PCS



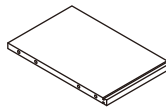
J 2PCS



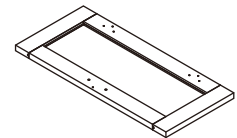
C 1PC



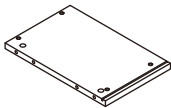
G 1PC



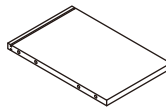
K 3PCS



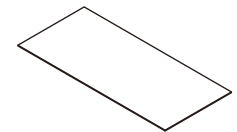
D 1PC



H 1PC



L 3PCS



HARDWARE

① 12PCS ② 12PCS ③ 12PCS ④ 22PCS ⑤ 4PCS ⑥ 4PCS



⑦ 3PCS ⑧ 6PCS ⑨ 3PCS ⑩ 3PCS ⑪ 6PCS ⑫ 36PCS

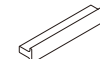


⑬ 6PCS ⑭ 6PCS



ACCESSORIES

A1 3PCS



A2 6PCS



A3 6PCS



A4 1PC



A5 4PCS



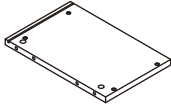
A6 1PC



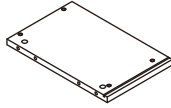
GET READY

Please group boards as below.

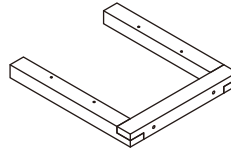
C 1PC



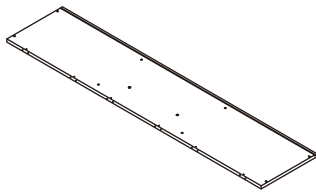
D 1PC



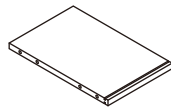
J 2PCS



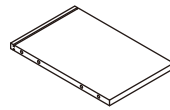
E 1PC



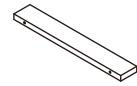
G 1PC



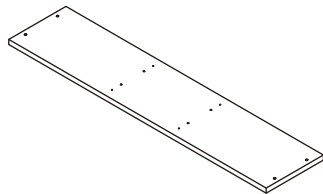
H 1PC



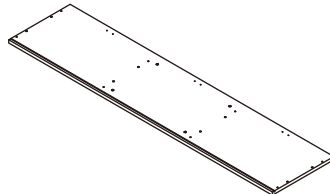
I 1PC



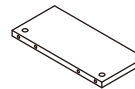
A 1PC



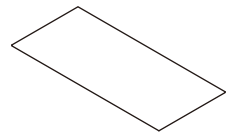
B 1PC



F 2PCS

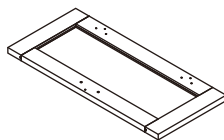


L 3PCS



Body

K 3PCS

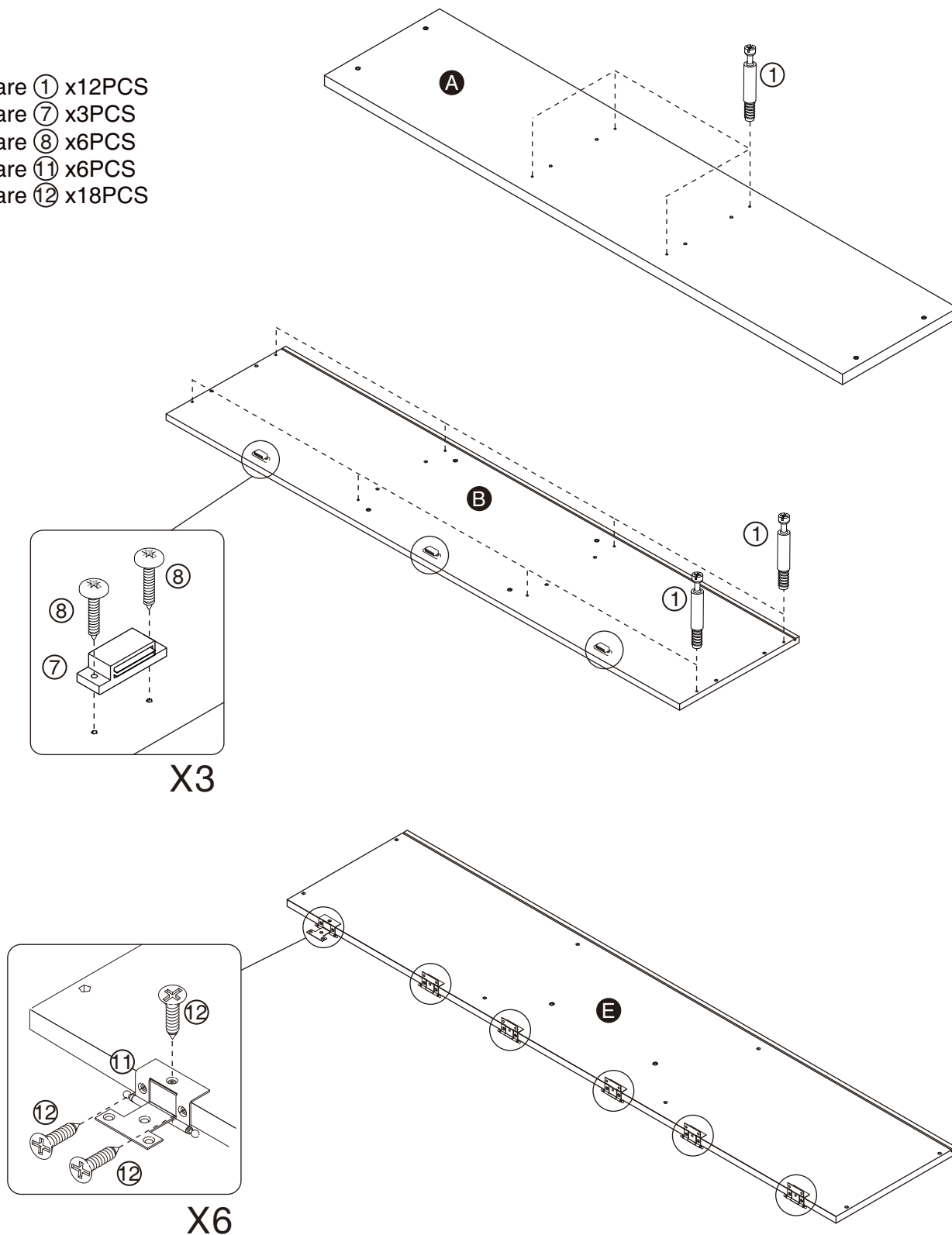


Door

ASSEMBLY INSTRUCTIONS

1

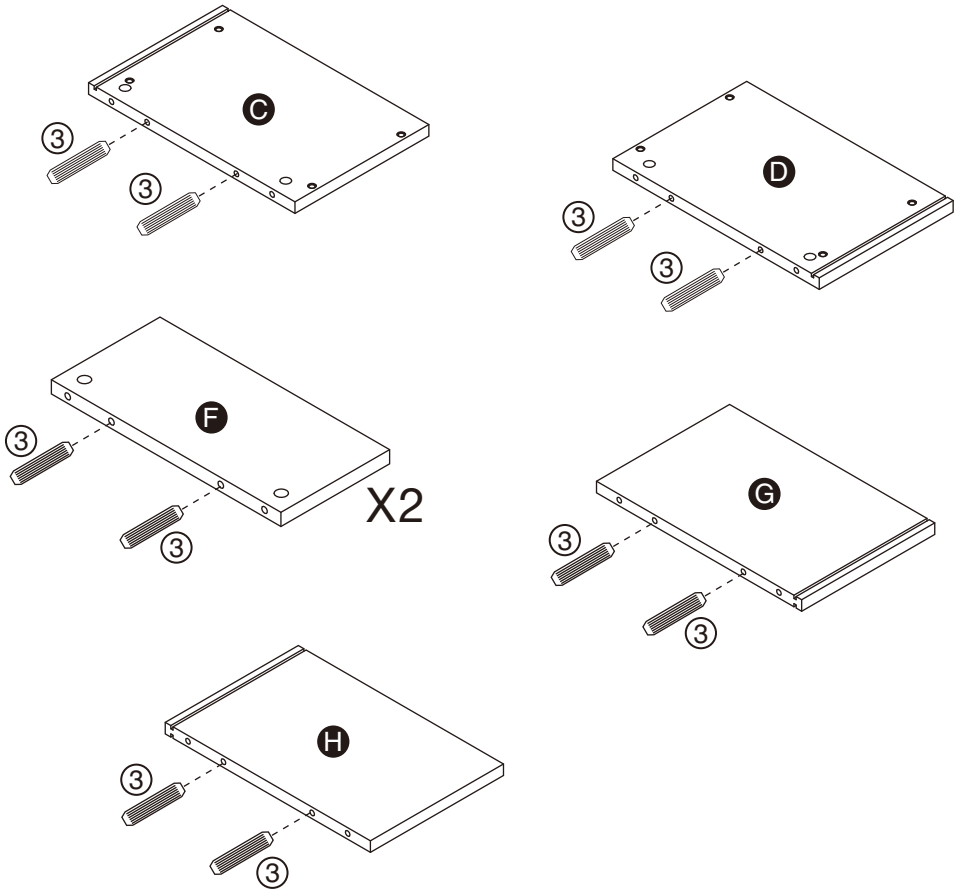
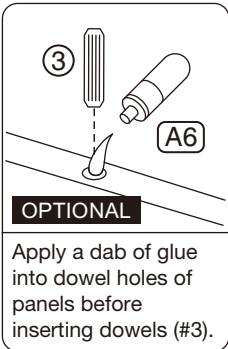
- Hardware ① x12PCS
- Hardware ⑦ x3PCS
- Hardware ⑧ x6PCS
- Hardware ⑪ x6PCS
- Hardware ⑫ x18PCS



ASSEMBLY INSTRUCTIONS

2

Hardware ③ x12PCS

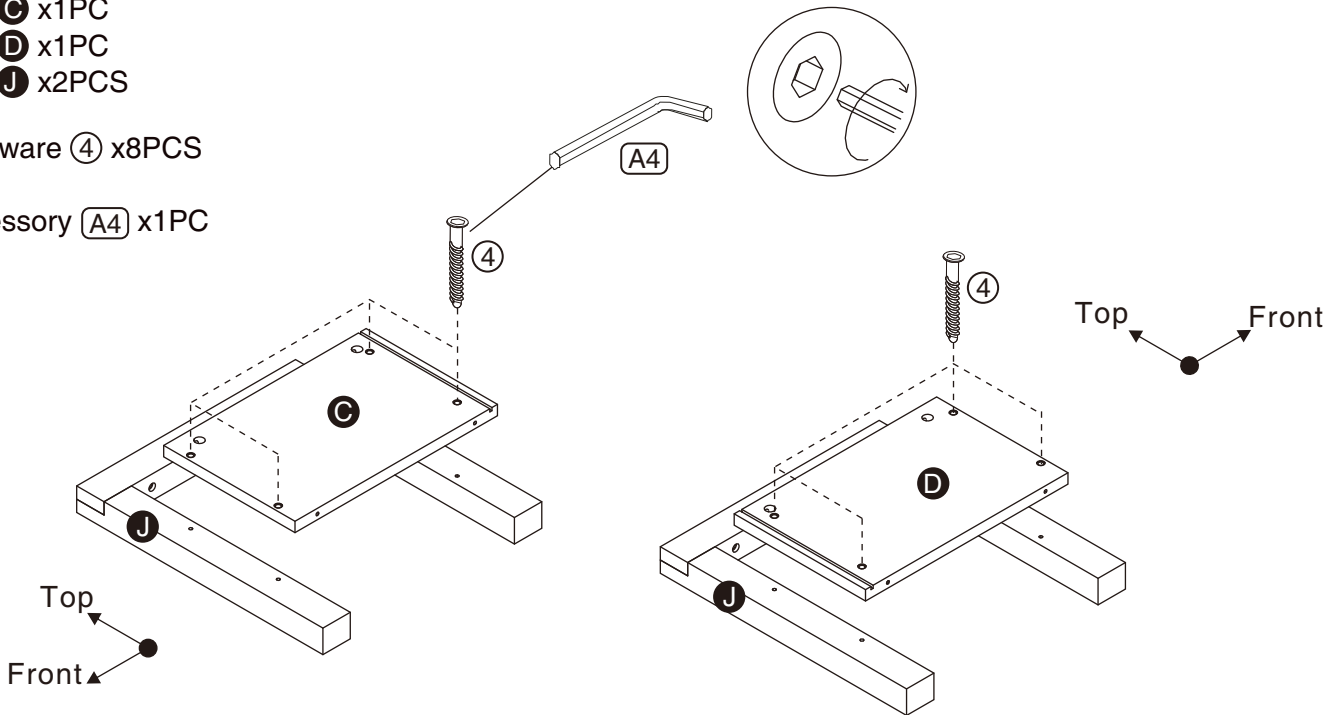


3

Part ① x1PC
Part ② x1PC
Part ④ x2PCS

Hardware ④ x8PCS

Accessory ④ x1PC



ASSEMBLY INSTRUCTIONS

4

Part **E** x1PC

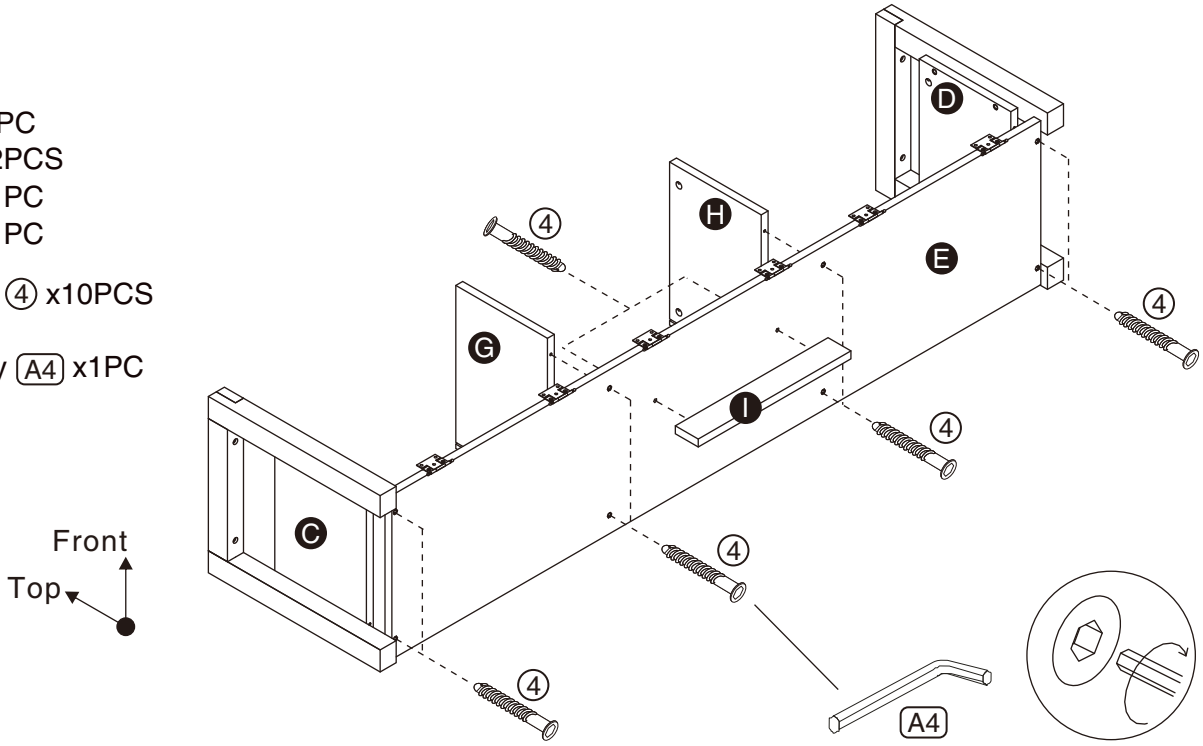
Part **G** x2PCS

Part **H** x1PC

Part **I** x1PC

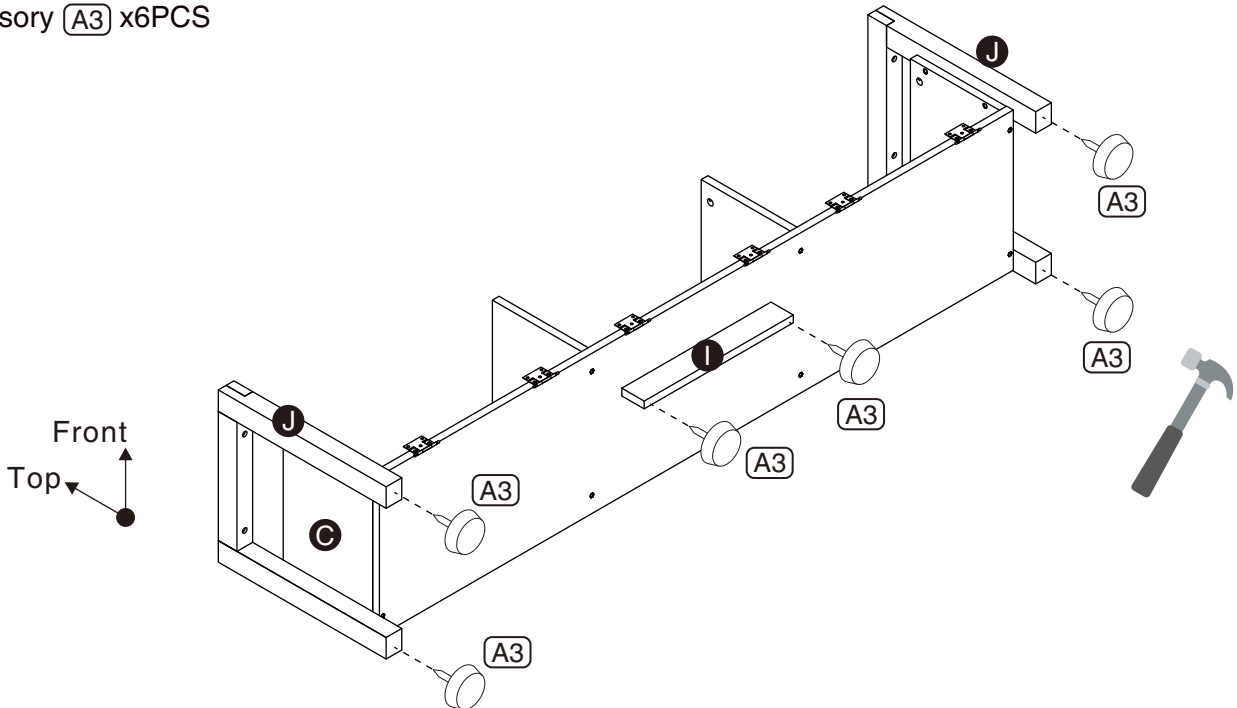
Hardware **④** x10PCS

Accessory **A4** x1PC



5

Accessory **A3** x6PCS



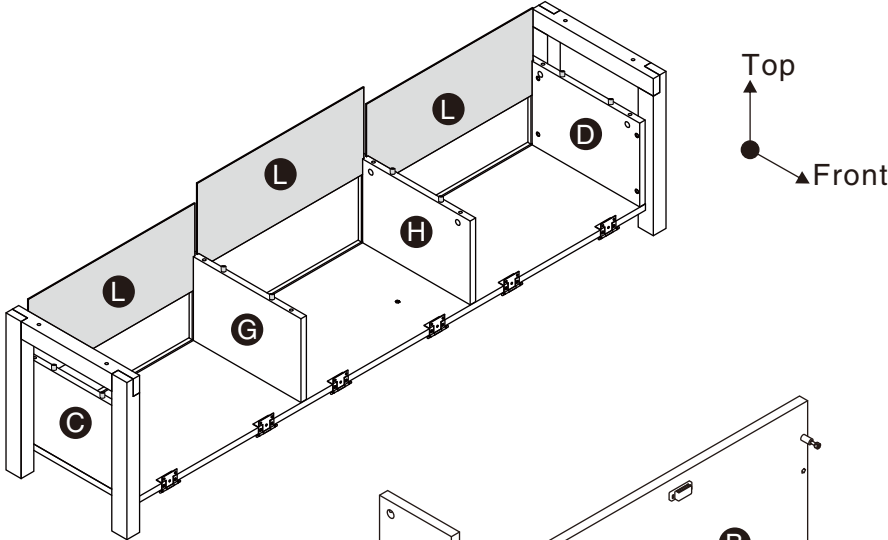
ASSEMBLY INSTRUCTIONS

6

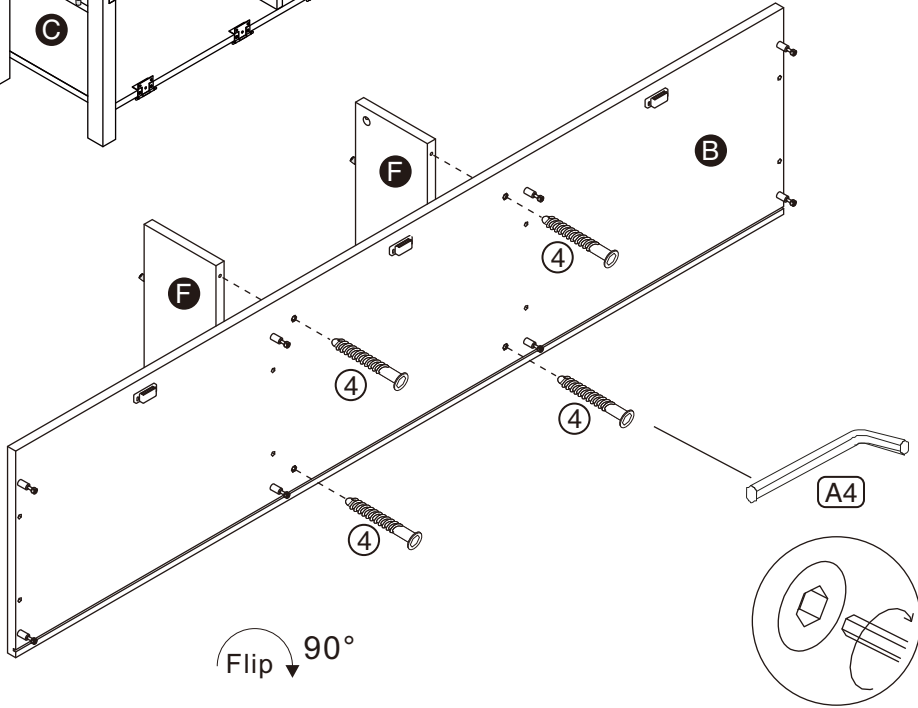
Part **B** x1PC
Part **F** x2PCS
Part **L** x3PCS

Hardware **②** x8PCS
Hardware **④** x4PCS

Accessory **A4** x1PC

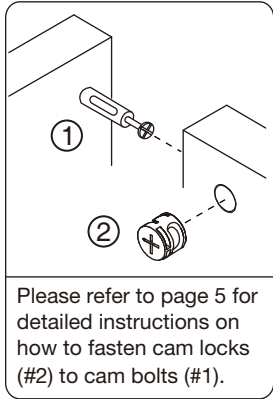
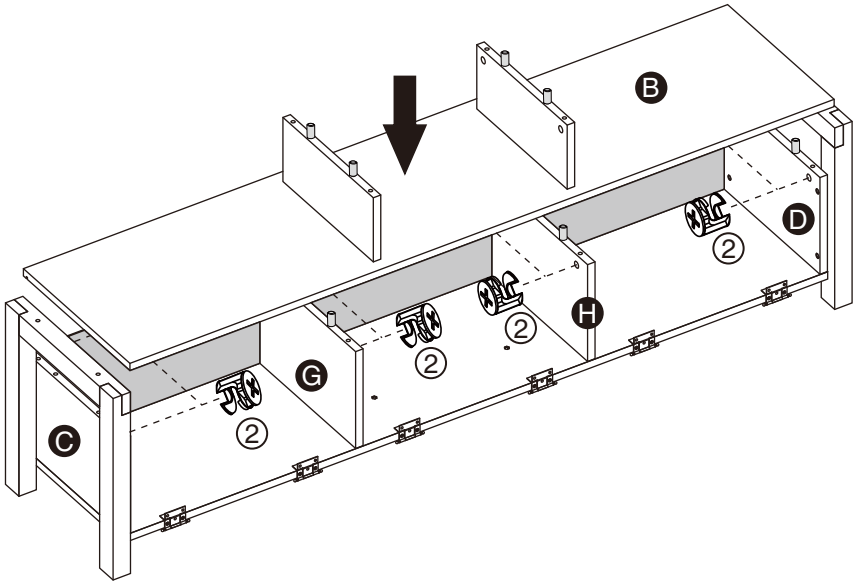


Front
Top



Flip 90°

Top
Front



ASSEMBLY INSTRUCTIONS

7

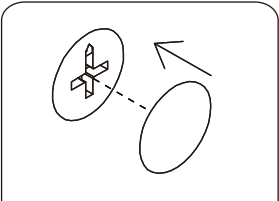
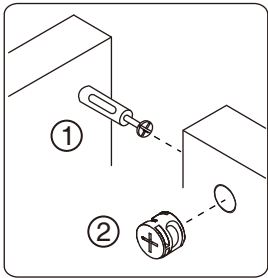
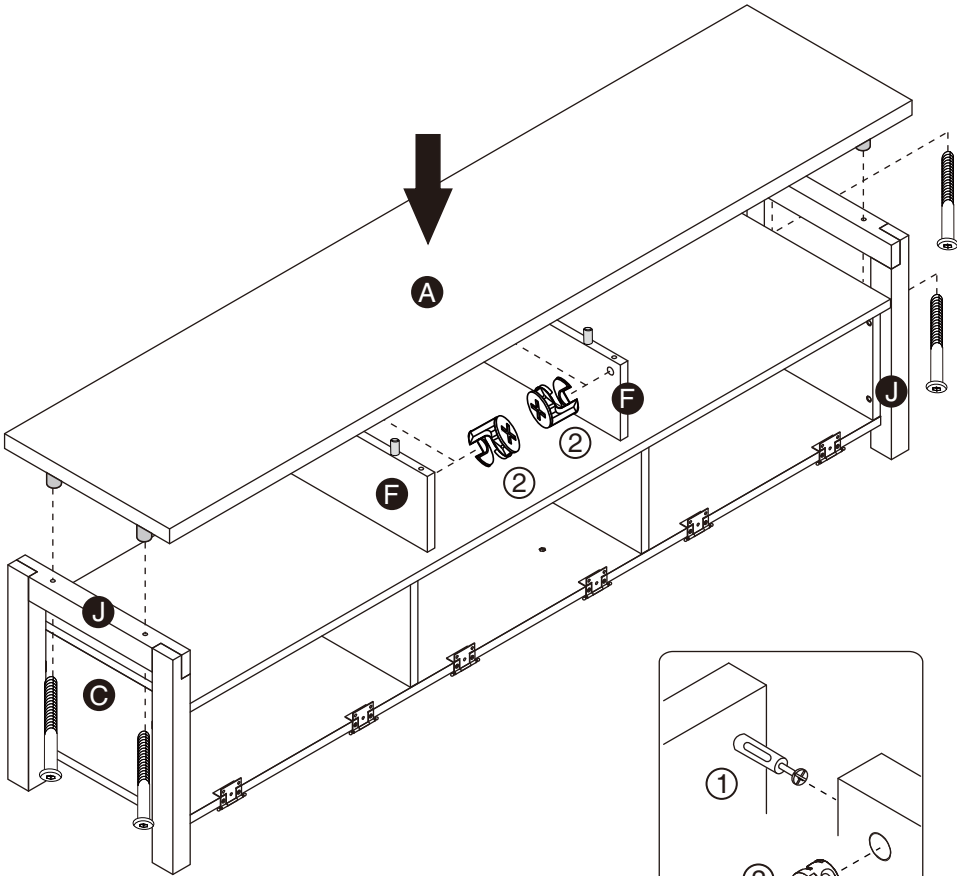
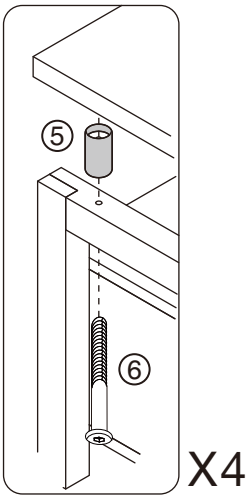
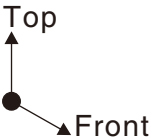
Part **A** x1PC

Hardware **②** x4PCS

Hardware **⑤** x4PCS

Hardware **⑥** x4PCS

Accessory **A5** x4PCS



Use the provided stickers (#A5) to cover exposed locks.

X4

ASSEMBLY INSTRUCTIONS

8

Part **K** x3PCS

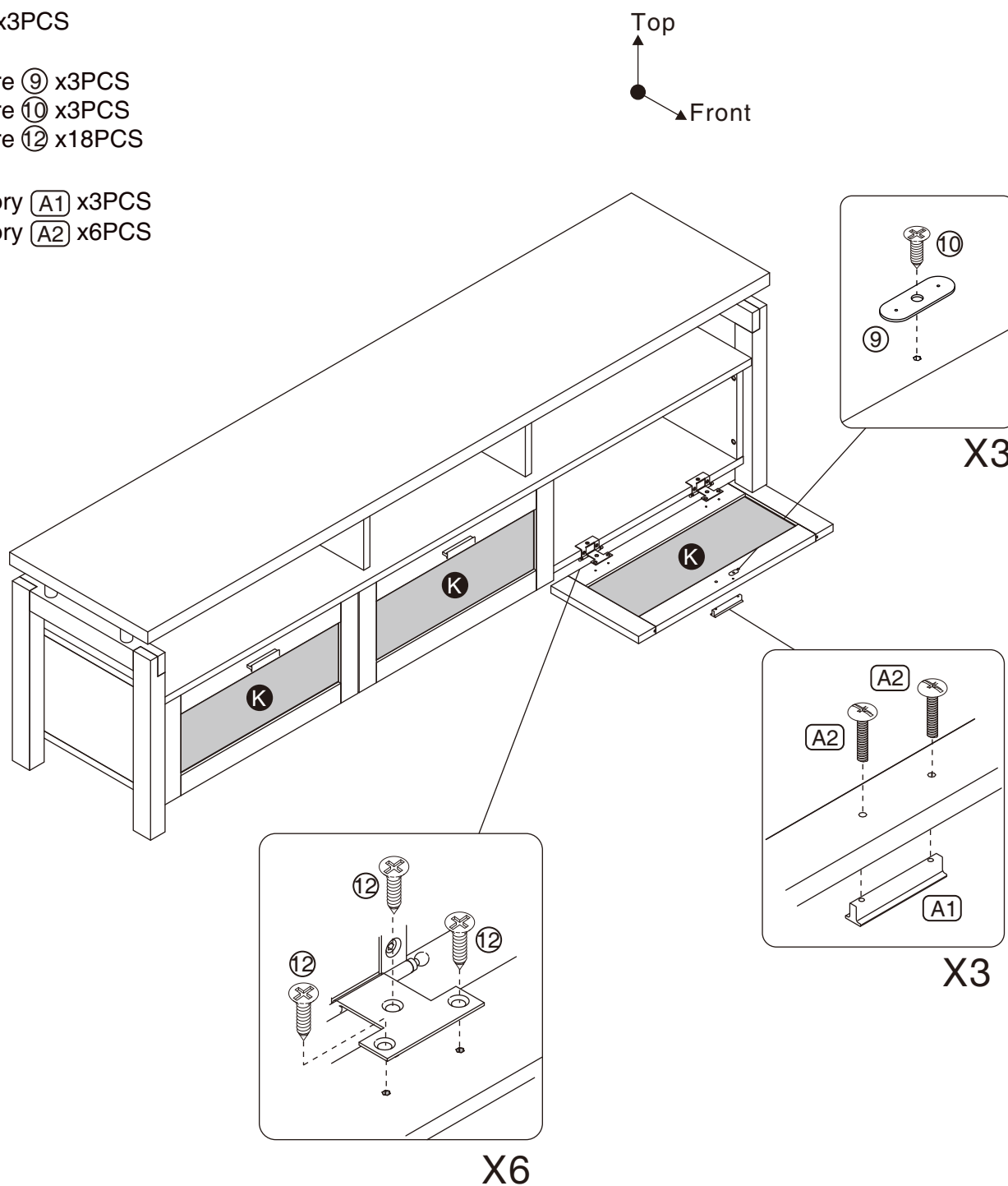
Hardware **9** x3PCS

Hardware **10** x3PCS

Hardware **12** x18PCS

Accessory **A1** x3PCS

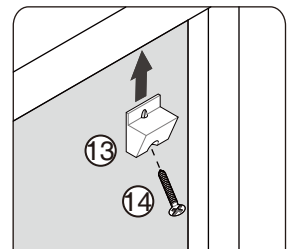
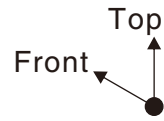
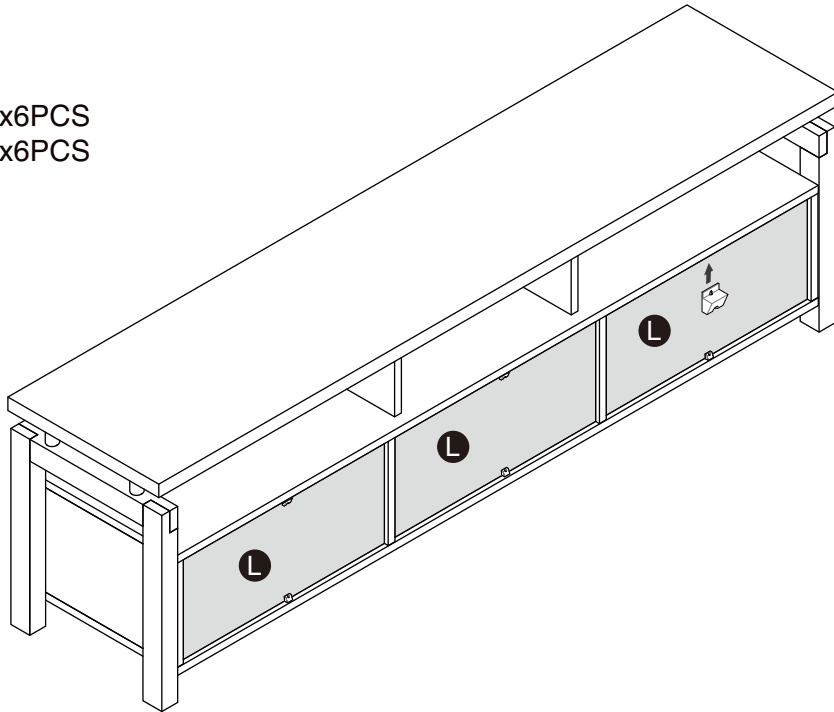
Accessory **A2** x6PCS



ASSEMBLY INSTRUCTIONS

9

Hardware ⑬ x6PCS
Hardware ⑭ x6PCS



Insert fixative plates (#13) through the thin lined gaps between back and side panels, then secure by using screws (#14).

[No pre-drilled holes]

X6

10

ASSEMBLY COMPLETED



Please ensure the furniture rests on an even and flat surface. If the product wobbles or feels loose, double-check all bolts and/or screws are properly tightened and secured.

✓ Keep this handy!

Please retain this instruction manual and any order-related information for future reference.

