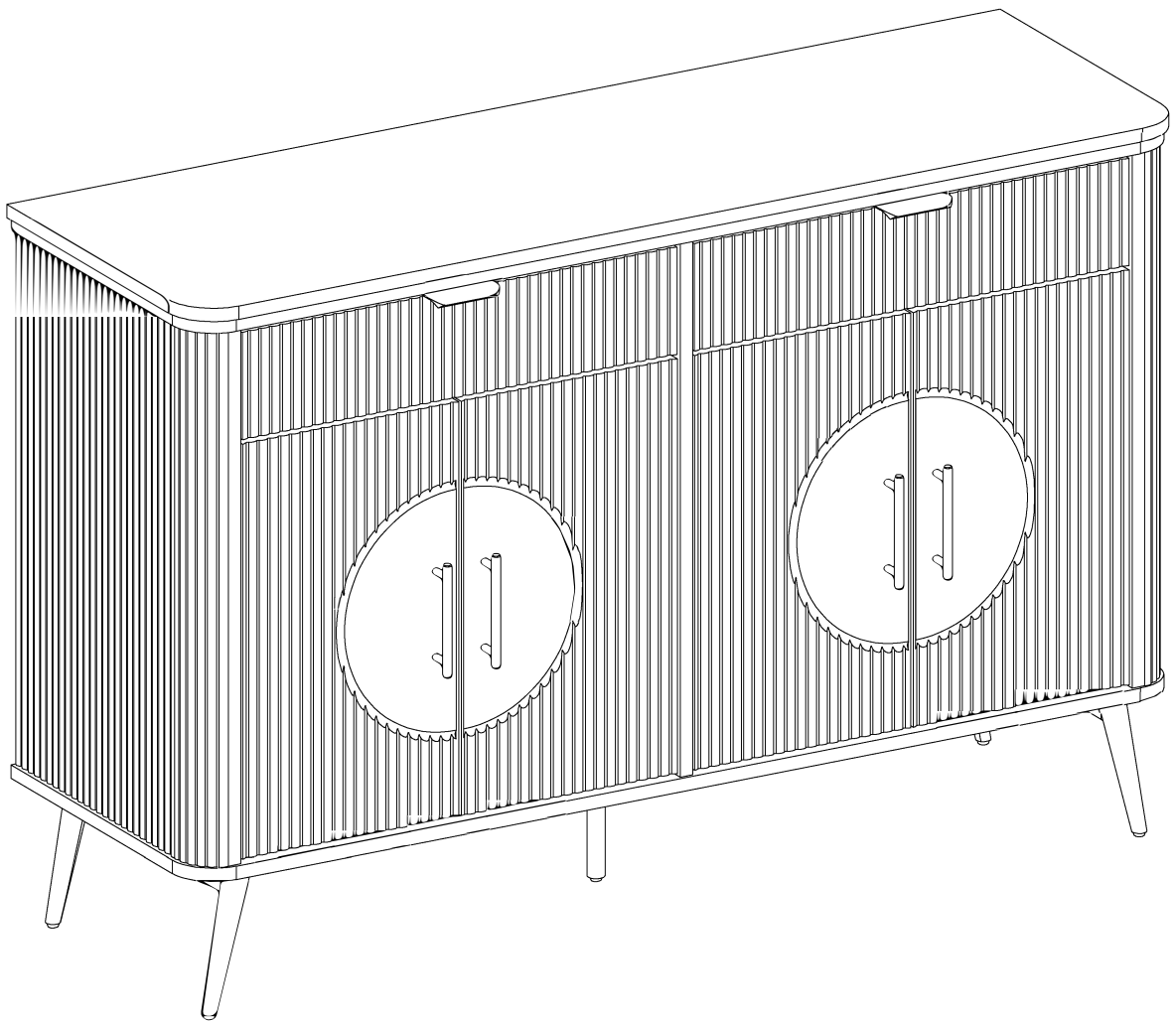
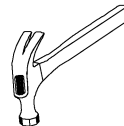
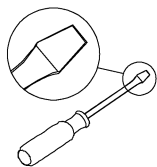


ASSEMBLY INSTRUCTIONS

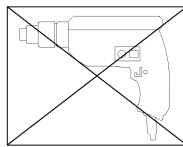


Before You Start

1. Read through each step carefully and follow the proper order.
2. Separate and count all your parts and hardware.
3. Give yourself enough room for the assembly process.
4. Assemble this product on the empty carton or carpet to avoid scratching.
5. Two people are recommended for ease in the assembly of this product.
6. Keep all small parts of this product away from children. They may cause serious injury.
7. Have the following tools: Flat Head Screwdriver, #2 Phillips Head Screwdriver and Hammer.

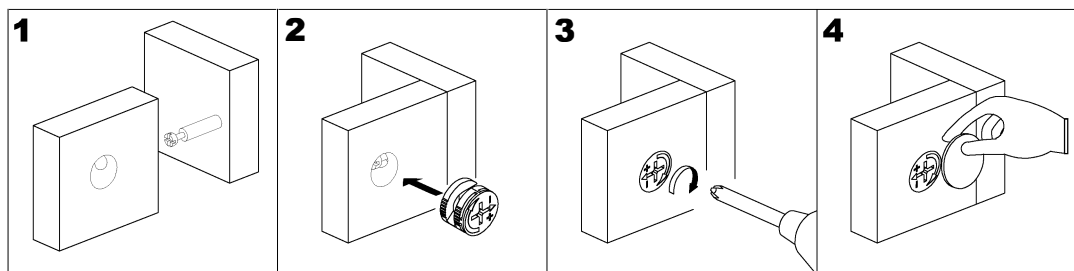


8. Power tools should not be used to assemble this product.



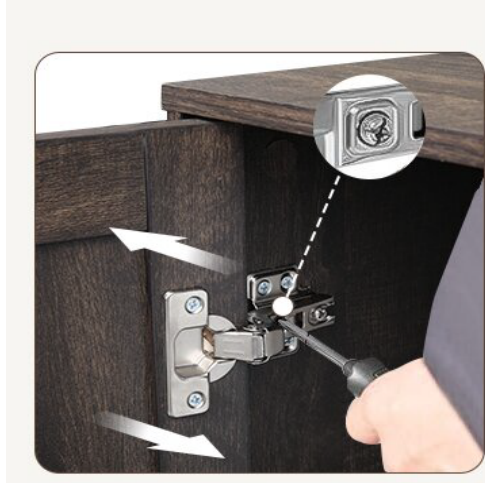
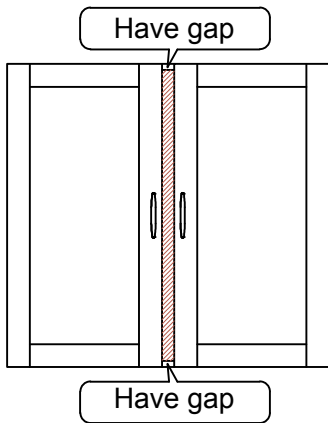
HOW THE KNOCK DOWN (KD) ASSEMBLY SYSTEM WORKS

1. Screw the Cam Bolt into the pre-drilled hole on the panel. Make sure Cam Bolt goes into the pre-drilled hole on the end of panel for Cam Lock.
2. Insert the Cam Lock into the pre-drilled large hole on the panel. Make sure the arrow on the face of Cam Lock points towards Cam Bolt.
3. Take a Phillips screwdriver and rotate the Cam Lock clockwise to lock the Cam Bolt.
4. Use the sticker to conceal the Cam.



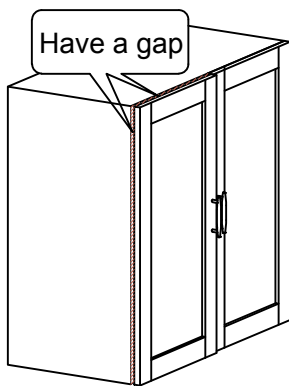
How do I get the two doors to align flat by adjusting the hinges?

1



Turn the screw to the right can make the door approach inside.

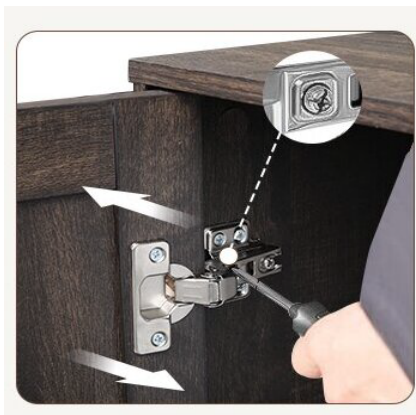
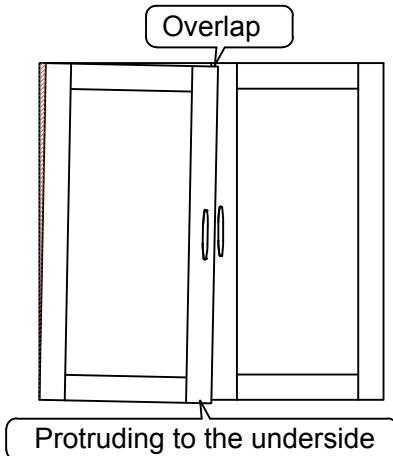
2



1. Rotate the screws to the left
2. Push the door to the cabinet
3. Rotate the screws to the right

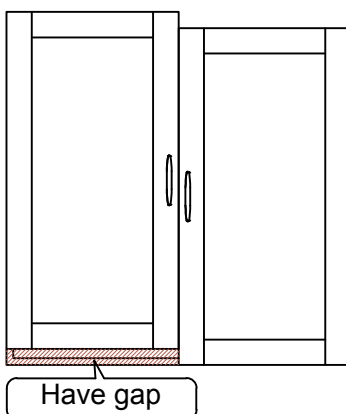
Please take the following steps to adjust first.

3



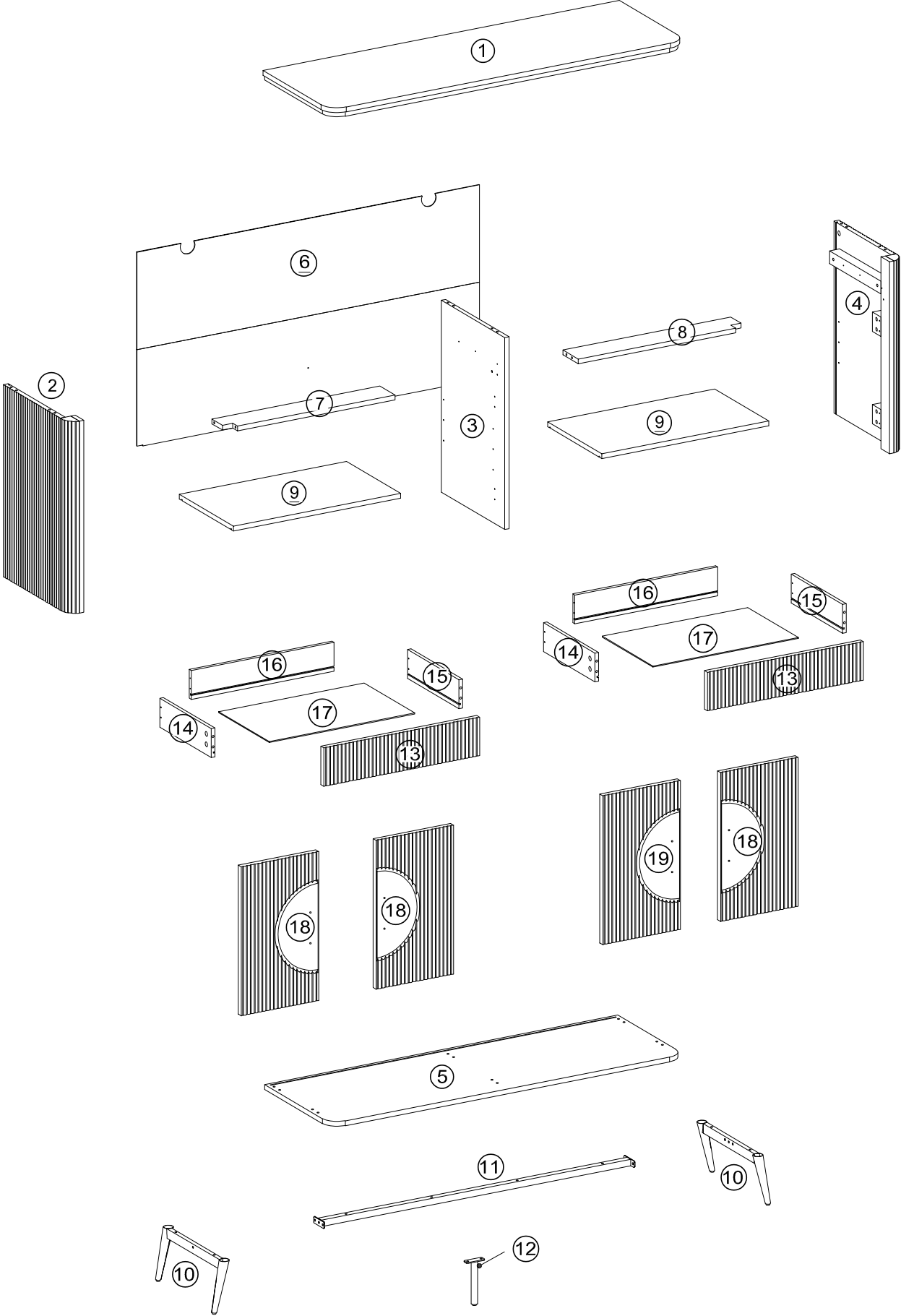
Turn the screw to the left can make the top of the door tilted outward.

4

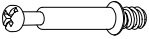



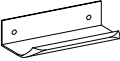
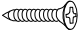
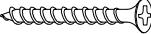


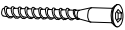


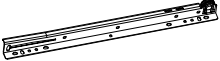
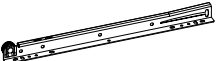
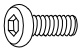


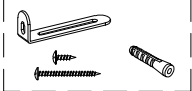

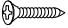
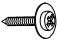


1. Turn the screw to the left
2. Lower the door's height so that 2 doors are of the same height
3. Turn the screw to the right

PARTS LIST



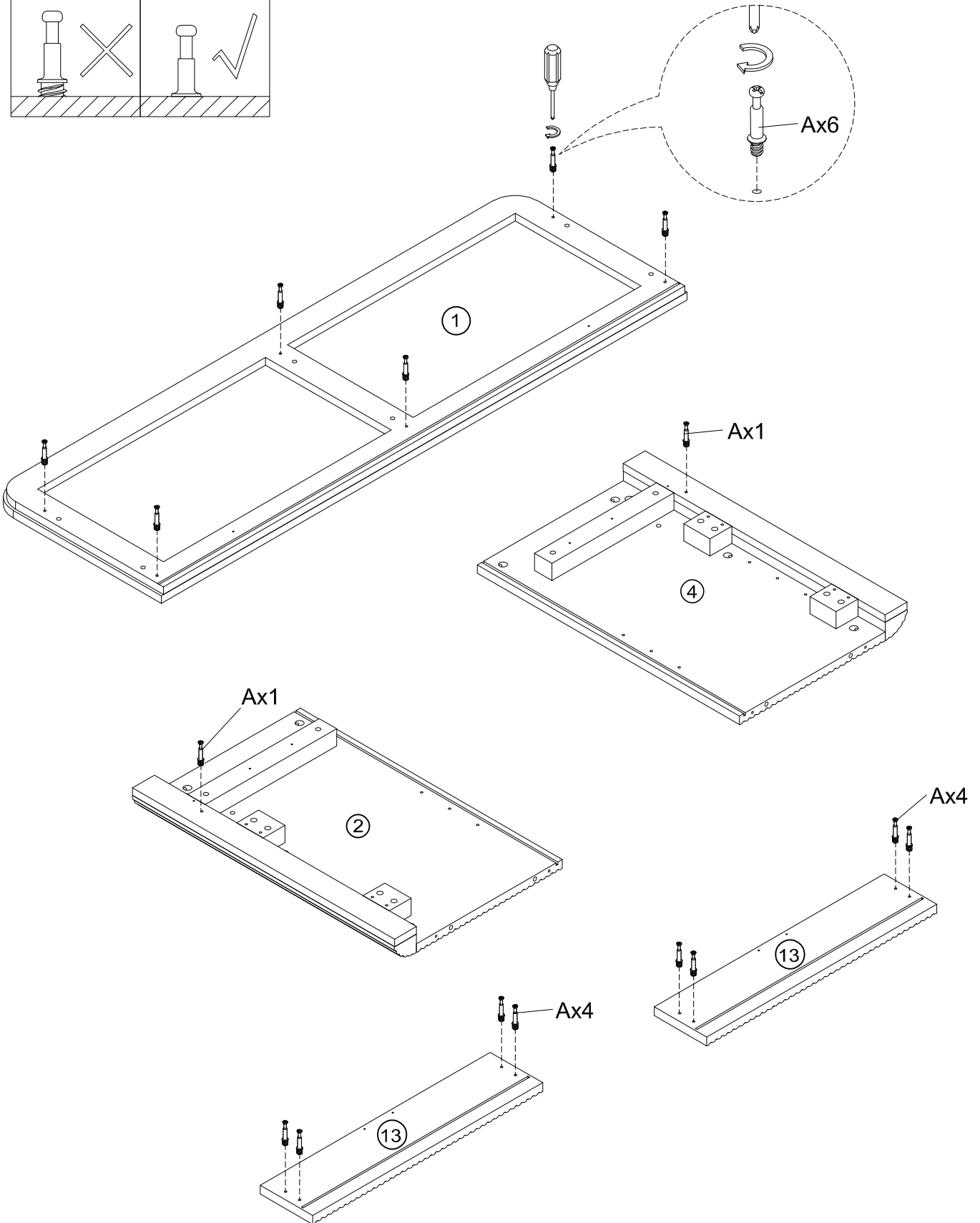
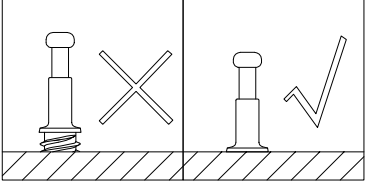
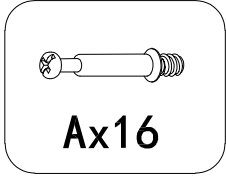
HARDWARE LIST

A		Ø6x35mm	Cam bolt	18 pcs
B		Ø15x9mm	Cam lock	18 pcs
C		Ø30mm	Cam cover	18 pcs
D		Ø8x30mm	Wooden dowel	16 pcs
E			Pull	2 pcs
F		Ø3.5x12mm	Screw	28 pcs
G		Ø4x38mm	Screw	8 pcs
H		M 4	Hex key	1 pc
I			Glue tube	1 pc
J		Ø6x50mm	Screw	6 pcs
K		12"	Left cabinet member	2 pcs
L		12"	Right cabinet member	2 pcs
M		12"	Left drawer runner	2 pcs
N		12"	Right drawer runner	2 pcs
O		Ø6x13mm	Bolt	6 pcs
P		Ø6x40mm	Bolt	6 pcs
Q		Ø6x30mm	Bolt	4 pcs
R			Tipping restraint	2 set
S			Plastic wedge	12 pcs
T		Ø3x17mm	Flat-head screw	12 pcs
U		Ø3.5x12mm	Screw	2 pcs

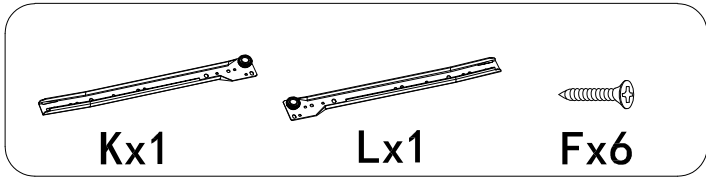
HARDWARE LIST

V		Ø35mm	Europe Hinge	8 pcs
W		Ø3.5x14mm	Hinge Screw	16 pcs
X		Ø5x16mm	Shelf support	8 pcs
Y			Handle	4 pcs
Z		Ø4x22mm	Handle Bolt	8 pcs

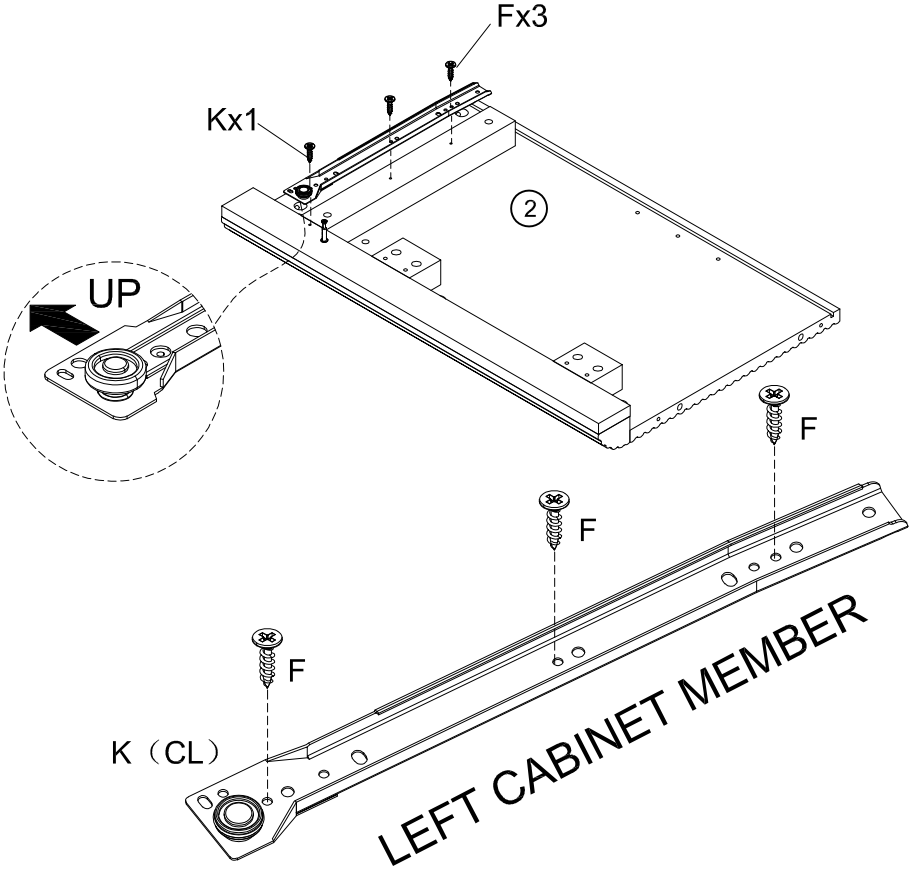
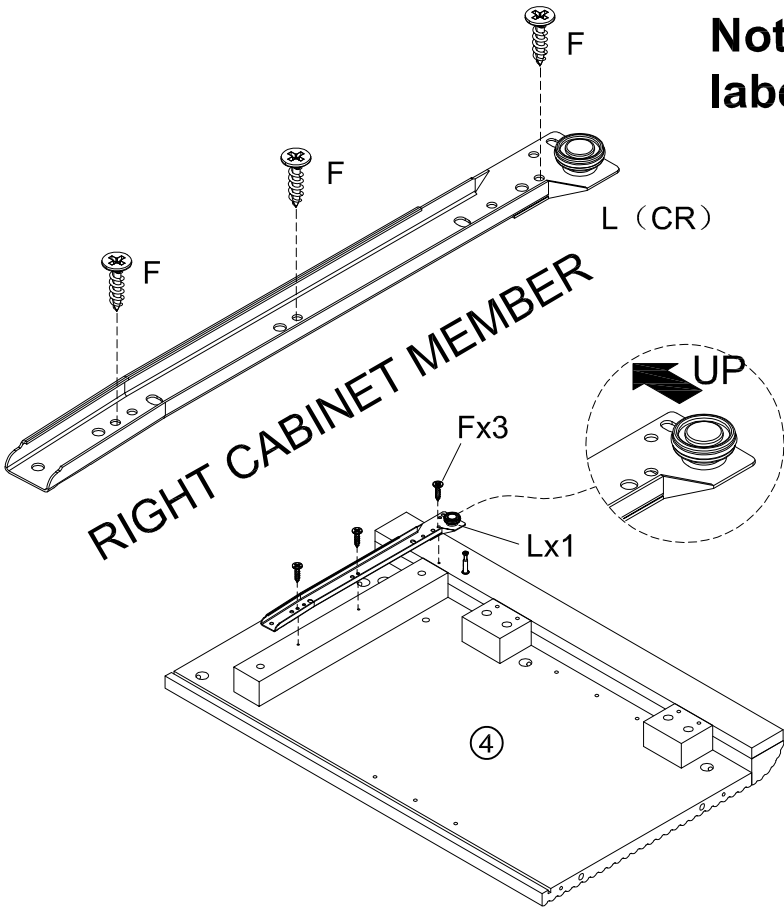
STEP 1



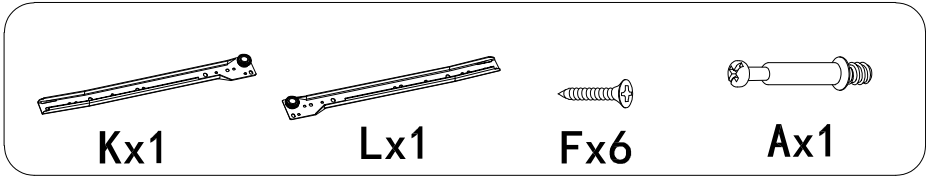
STEP 2



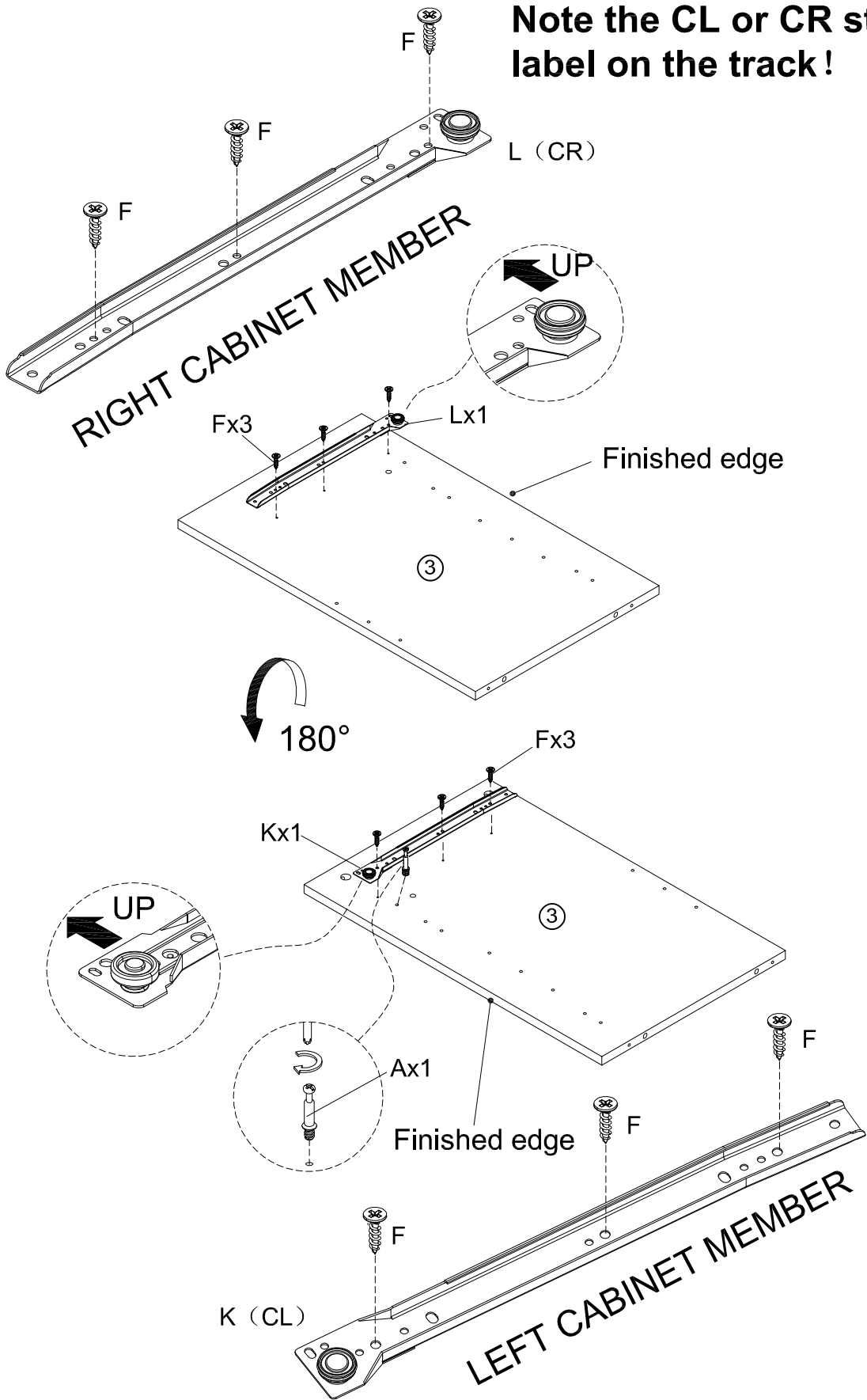
Note the CL or CR stamped label on the track!



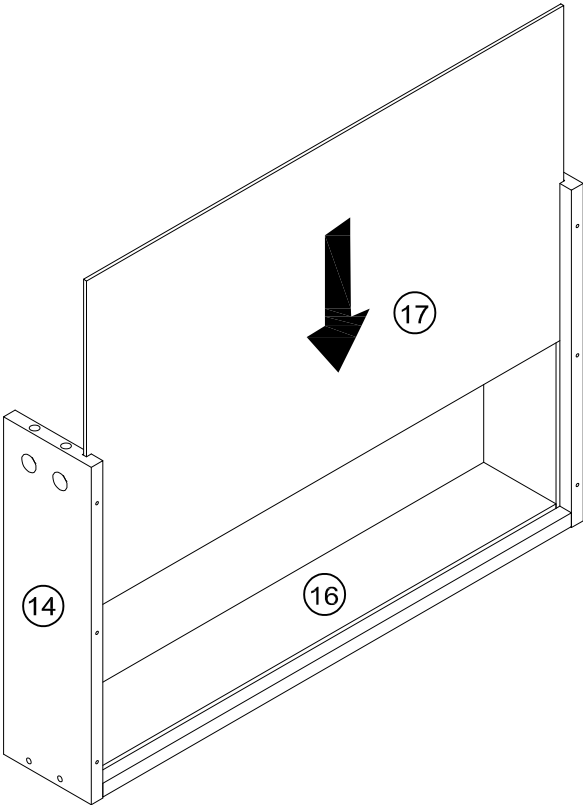
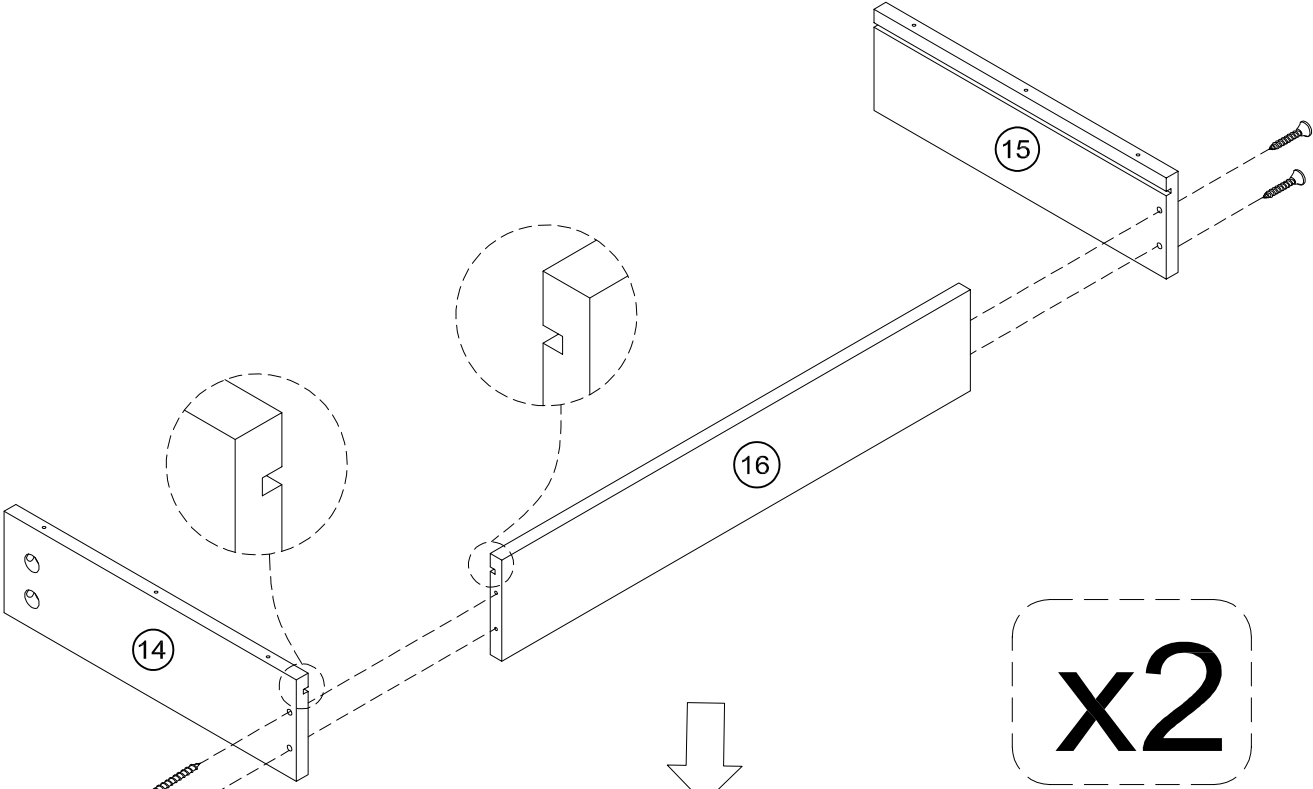
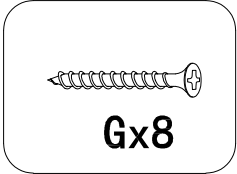
STEP 3



Note the CL or CR stamped label on the track!



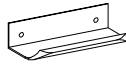
STEP 4



STEP 5



Bx8



Ex2



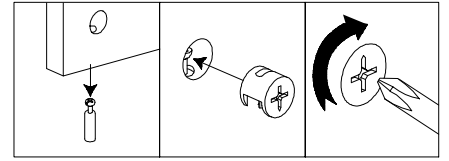
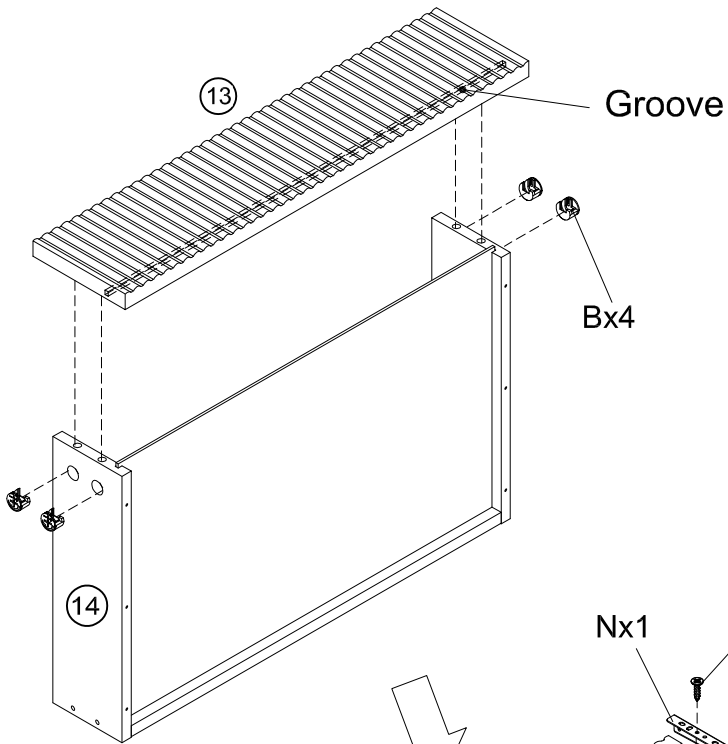
Fx16



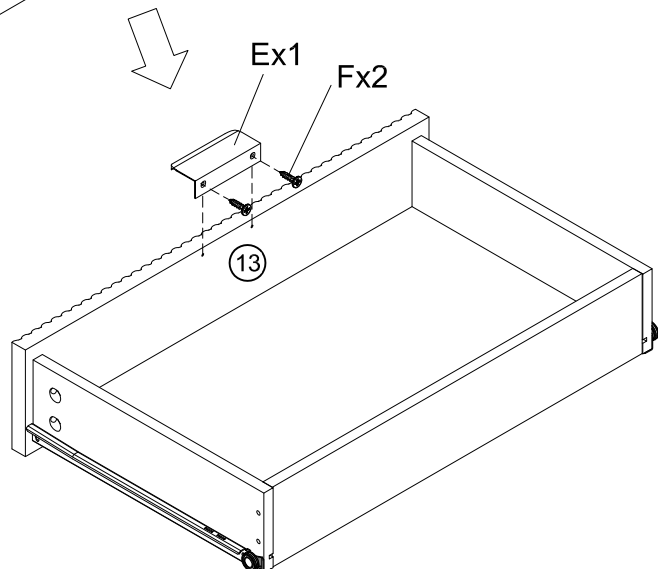
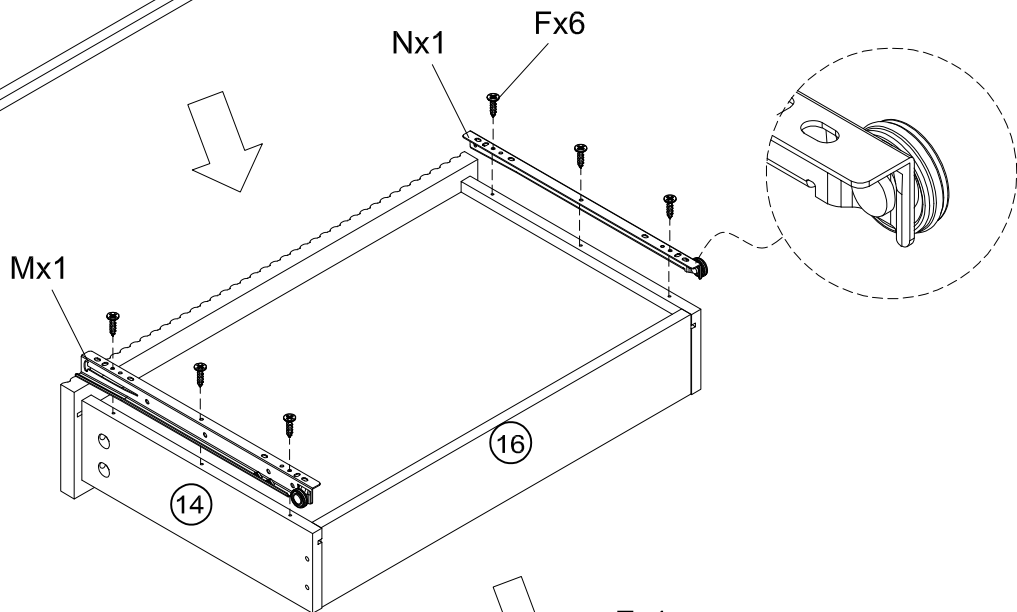
Mx2



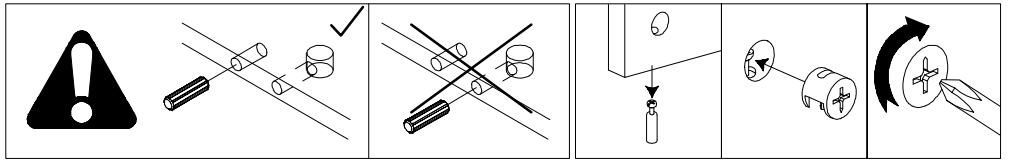
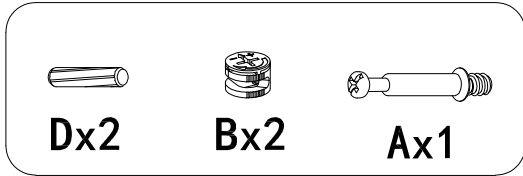
Nx2



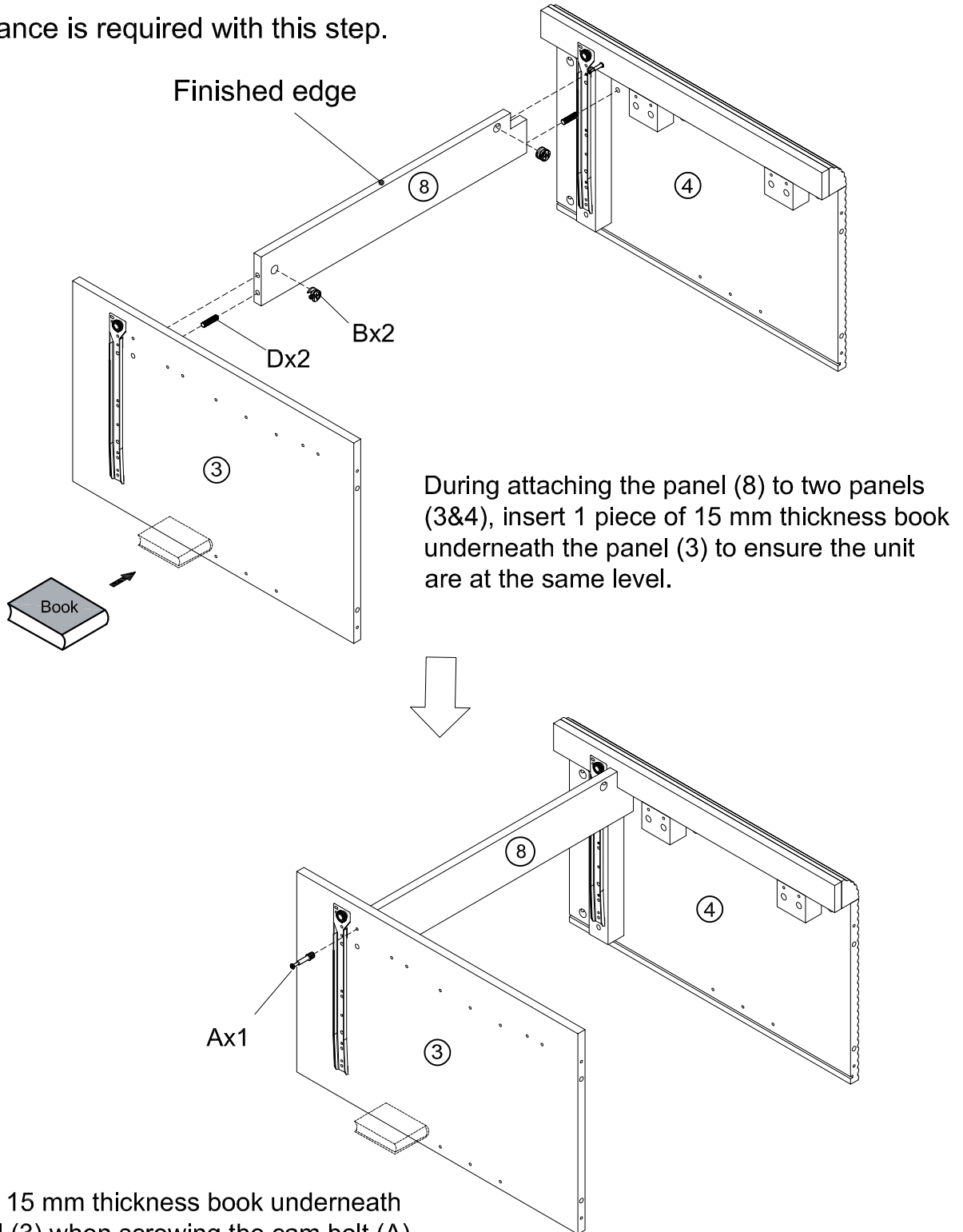
x2



STEP 6



An assistance is required with this step.



Keep the 15 mm thickness book underneath the panel (3) when screwing the cam bolt (A) into the panel (3).

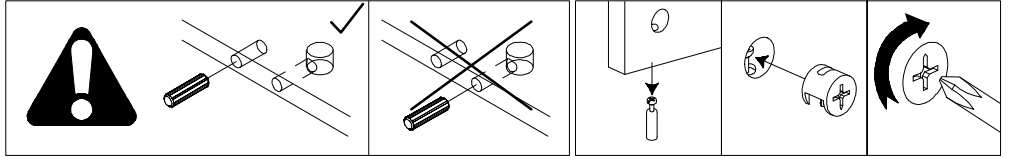
STEP 7



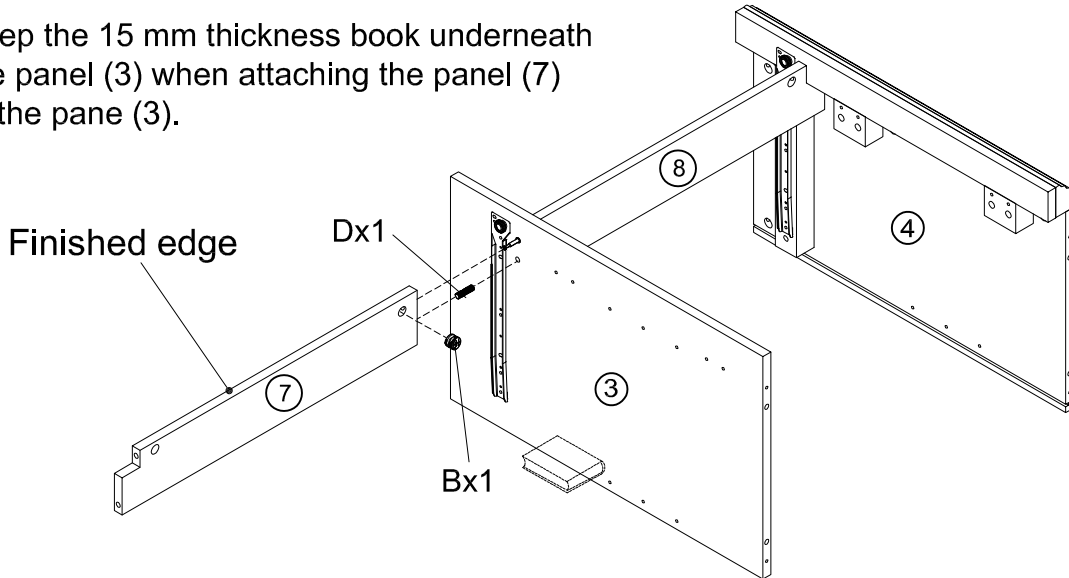
Dx2



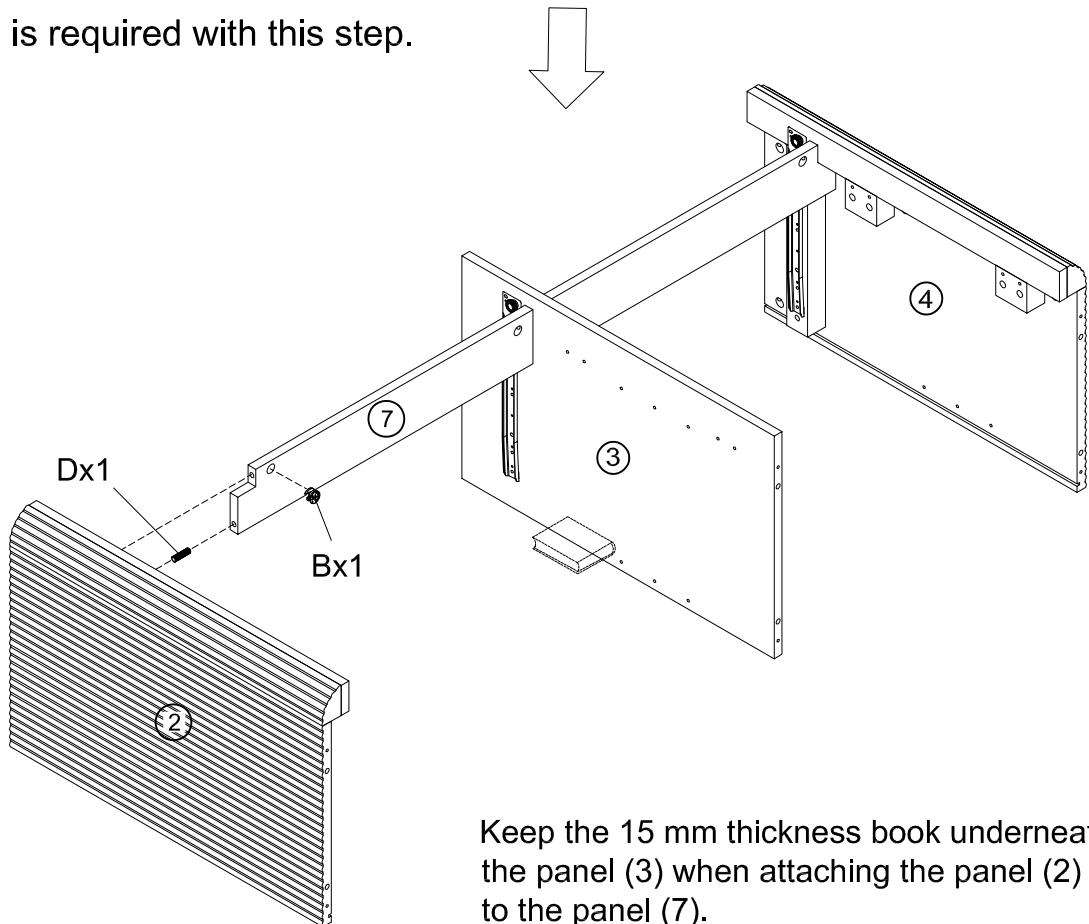
Bx2



Keep the 15 mm thickness book underneath the panel (3) when attaching the panel (7) to the pane (3).

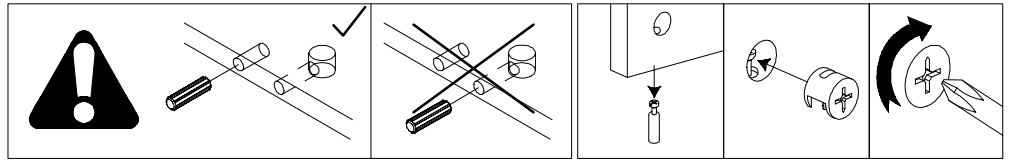
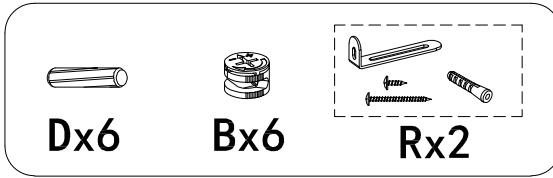


An assistance is required with this step.

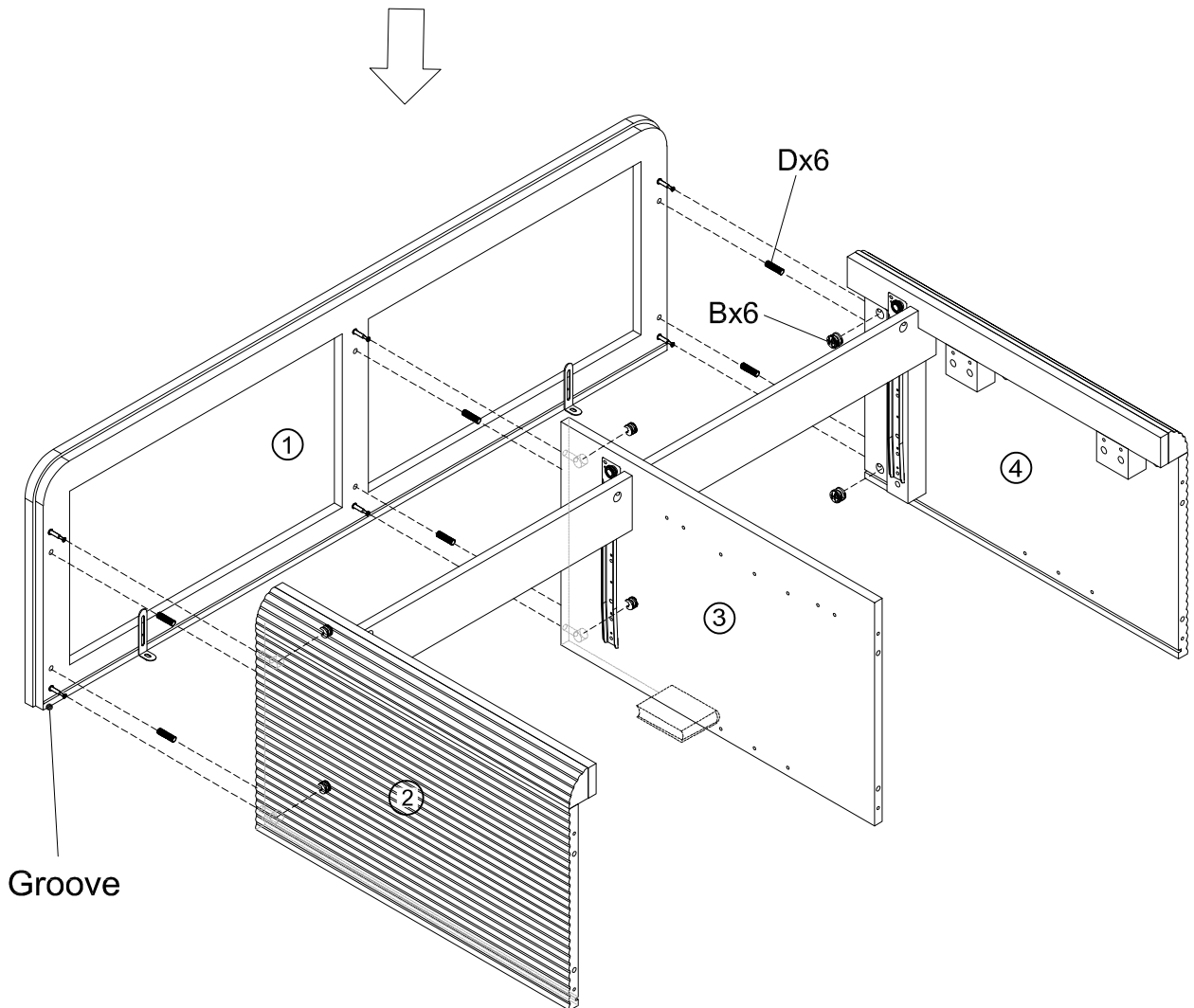
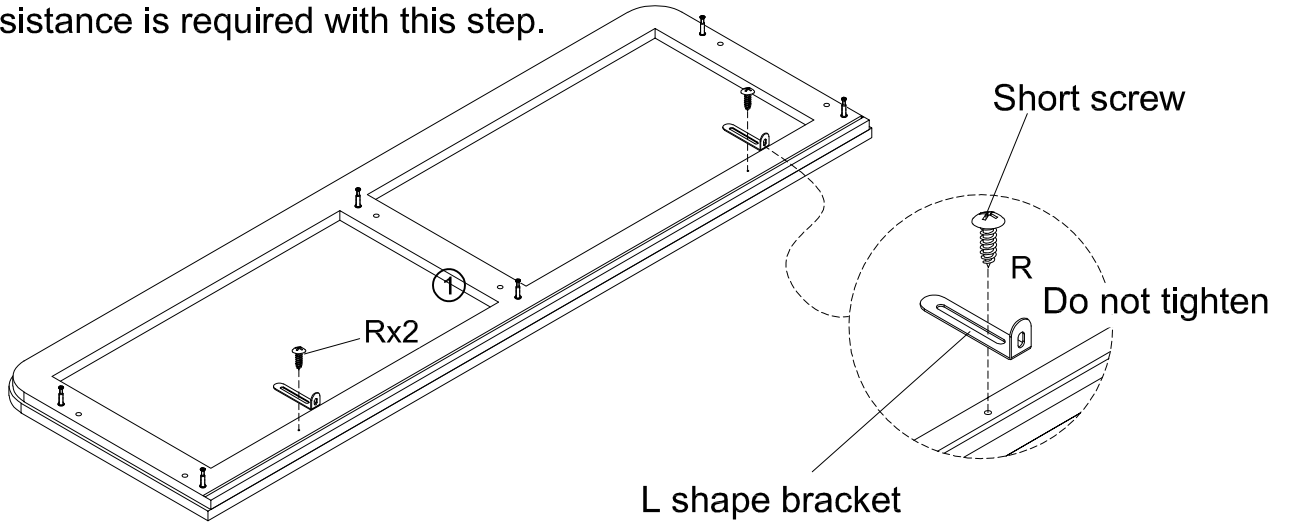


Keep the 15 mm thickness book underneath the panel (3) when attaching the panel (2) to the panel (7).

STEP 8



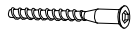
An assistance is required with this step.



STEP 9



Dx6

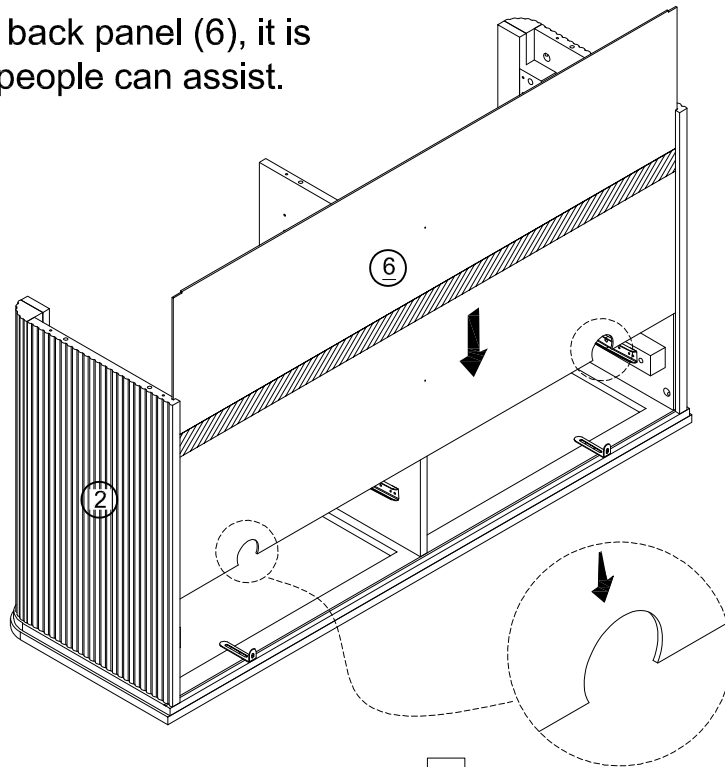


Jx6

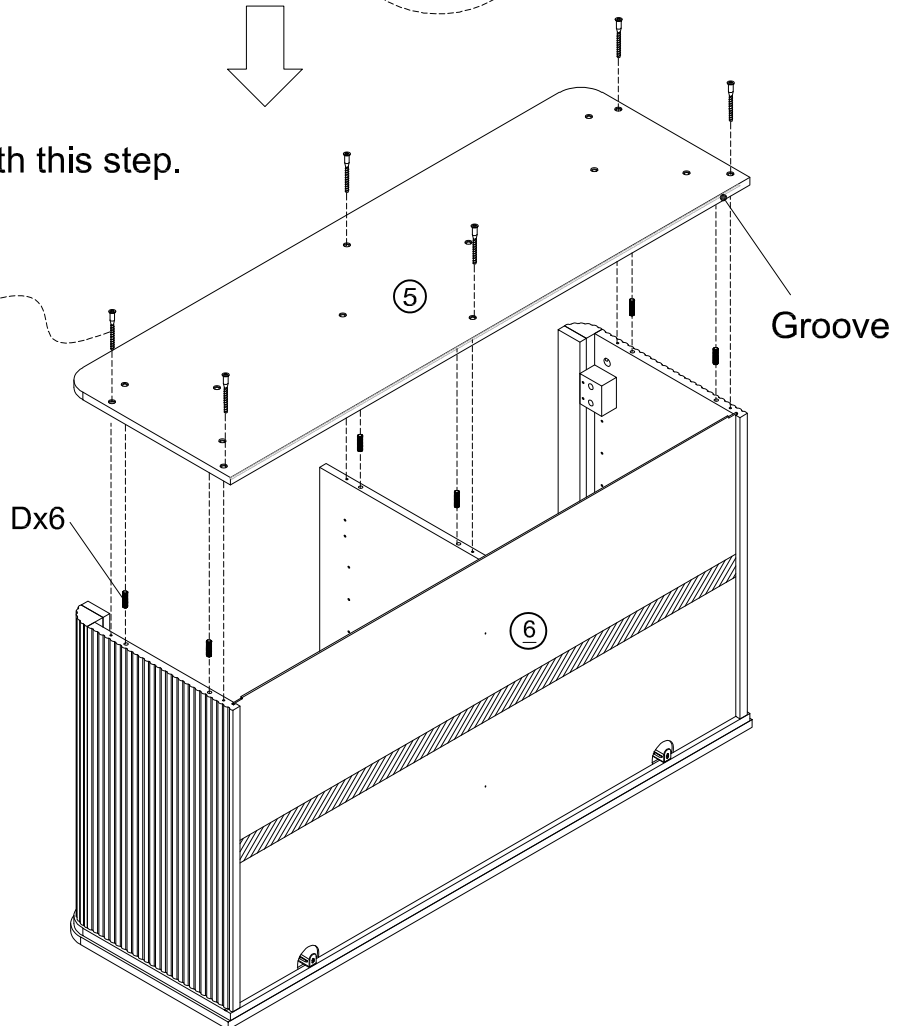
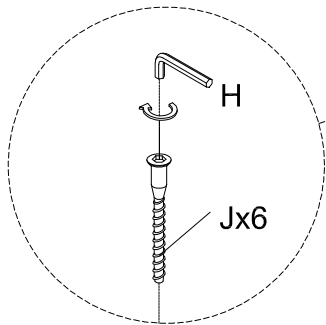


Hx1

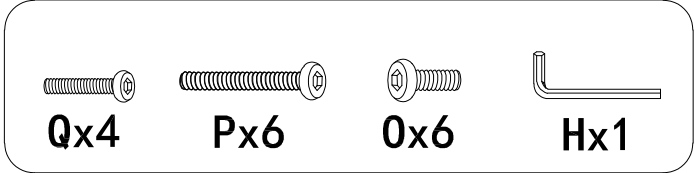
During insert the back panel (6), it is better if another people can assist.



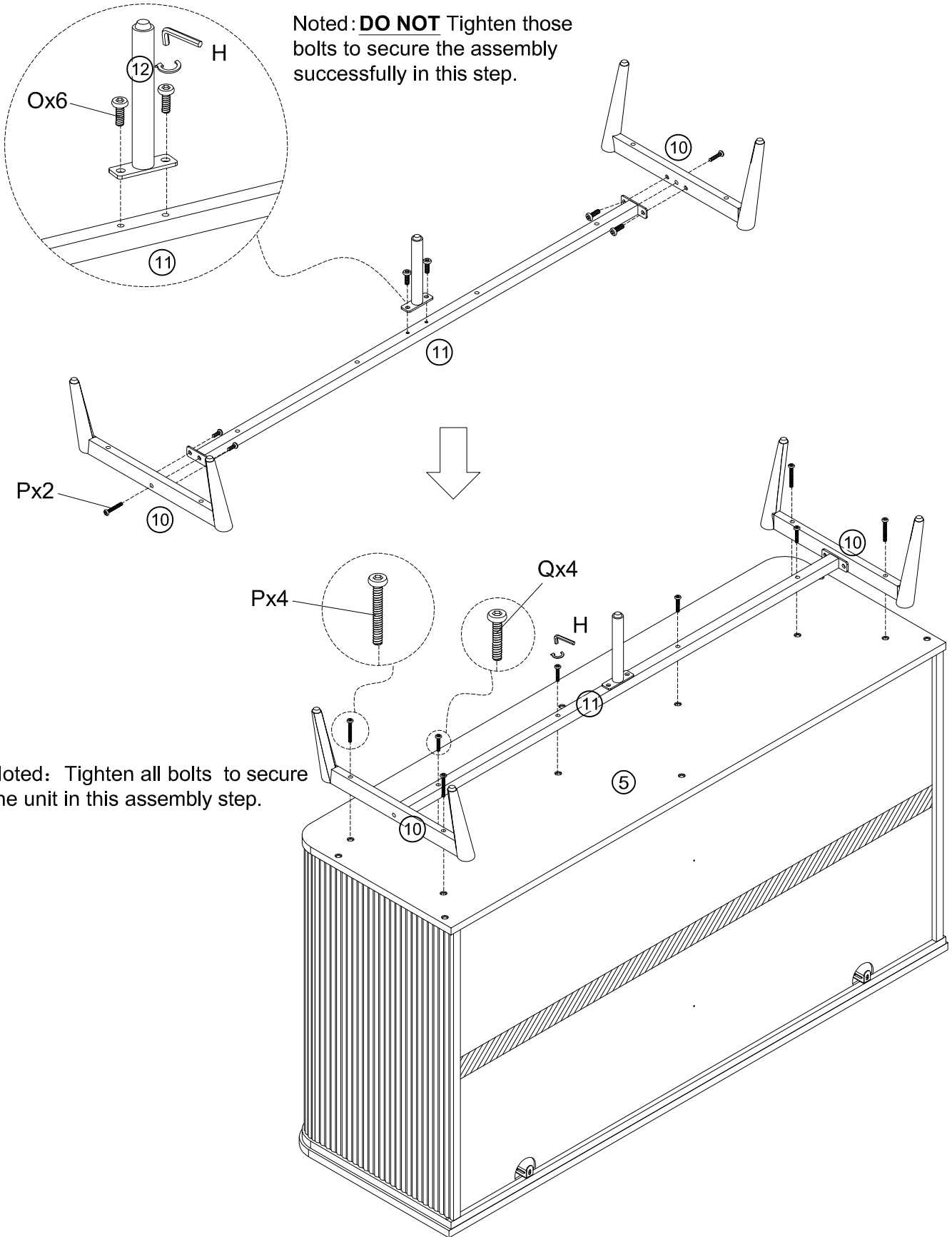
An assistance is required with this step.



STEP 10

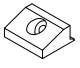
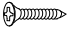



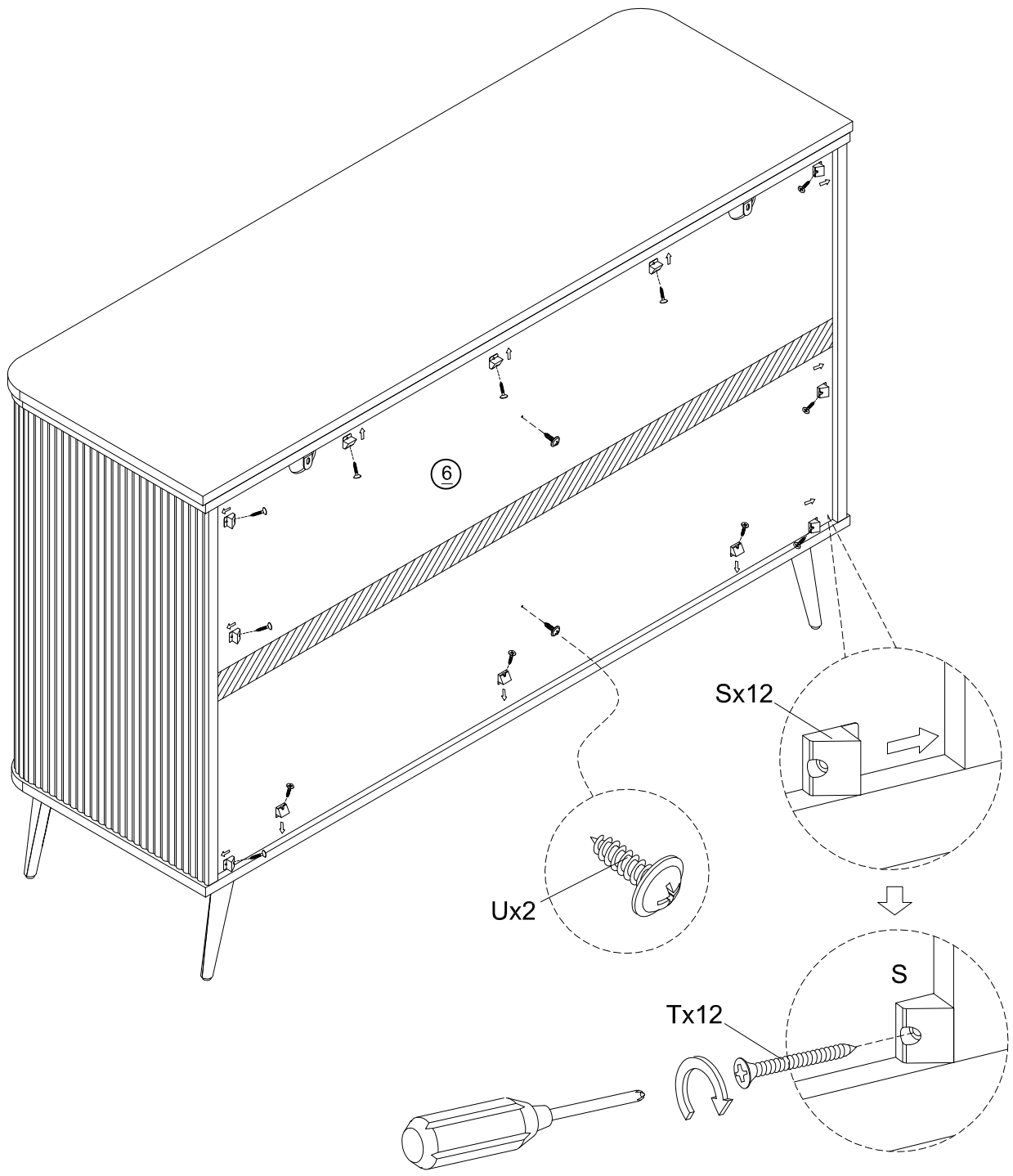
Noted: **DO NOT** Tighten those bolts to secure the assembly successfully in this step.



Noted: Tighten all bolts to secure the unit in this assembly step.

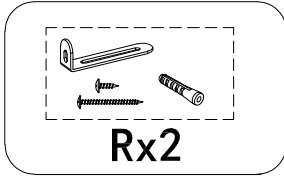
STEP 11

		
Sx12	Tx12	Ux2



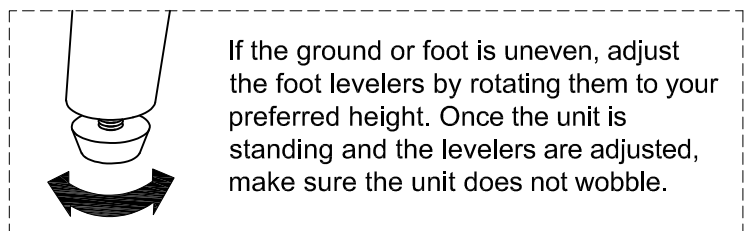
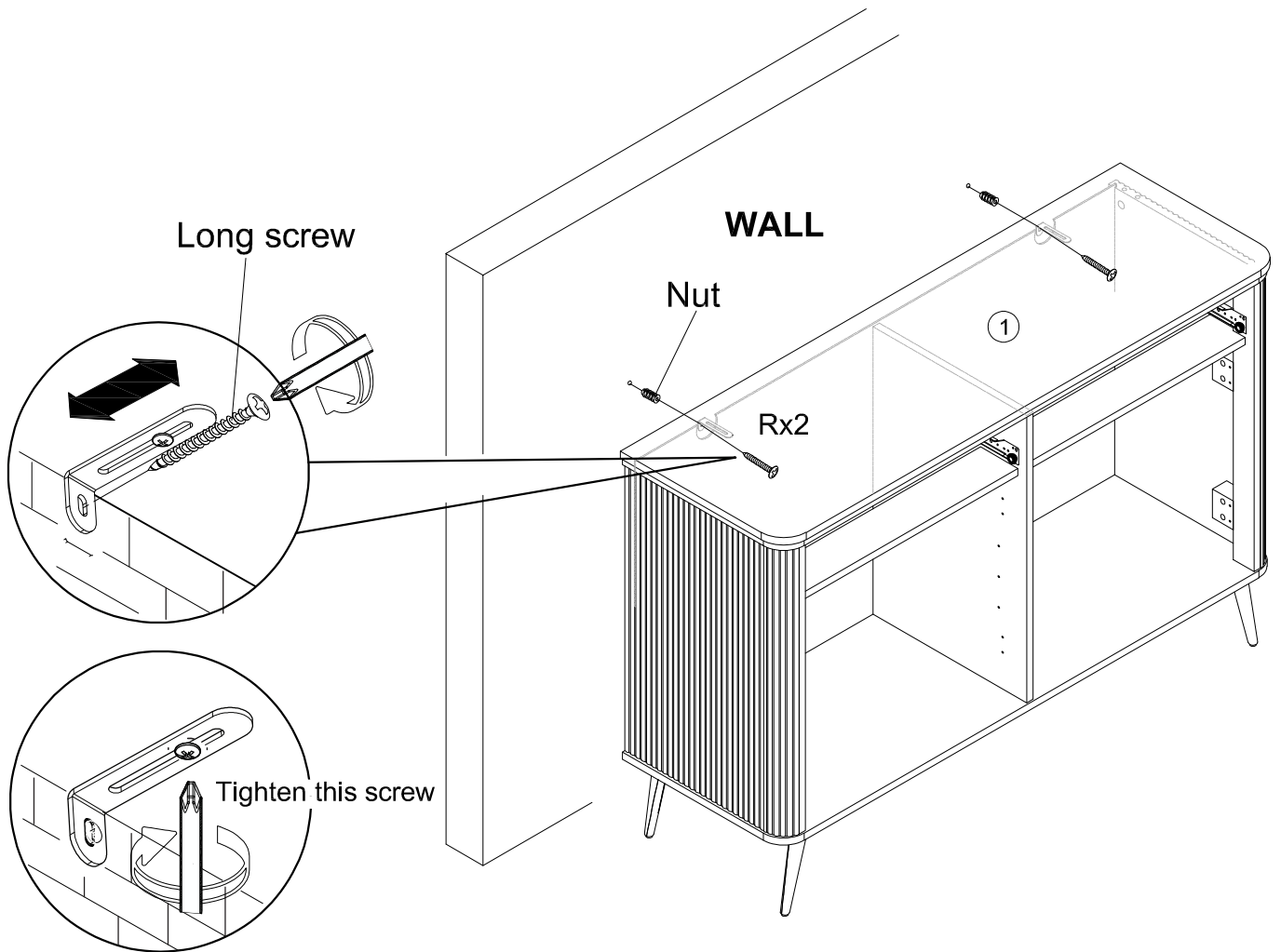
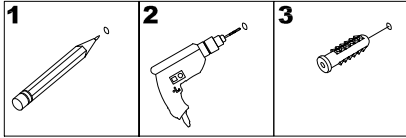
Before attaching the back panel make sure that it is square to the unit .

STEP 12

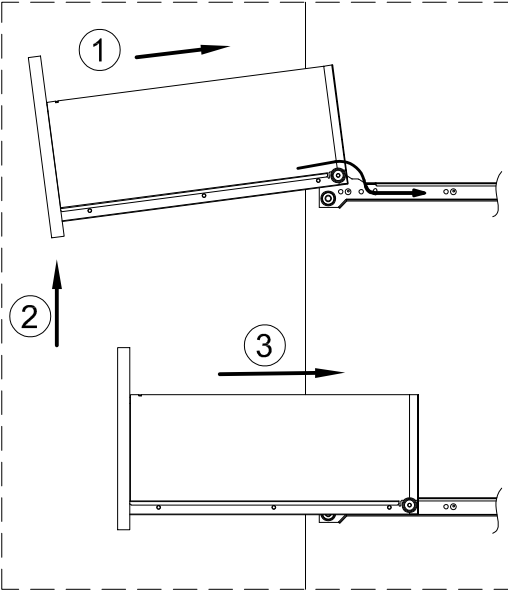
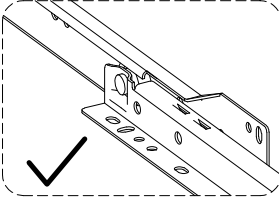
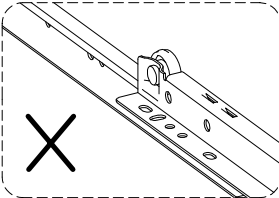
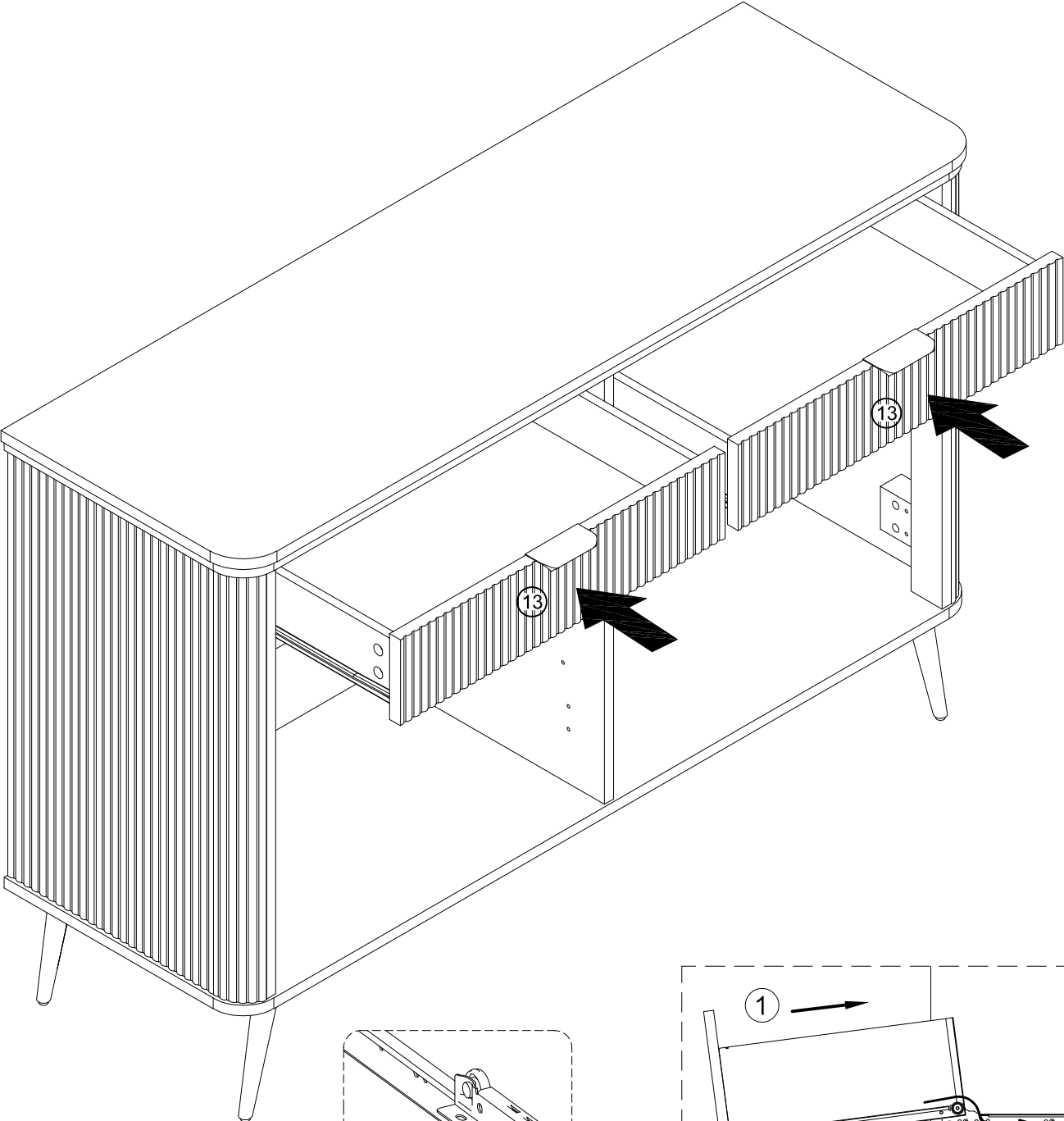


WARNING

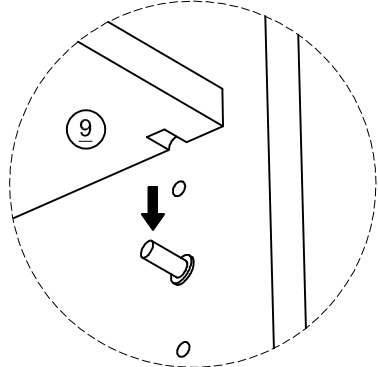
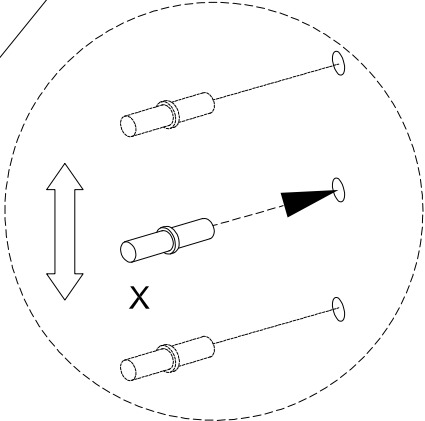
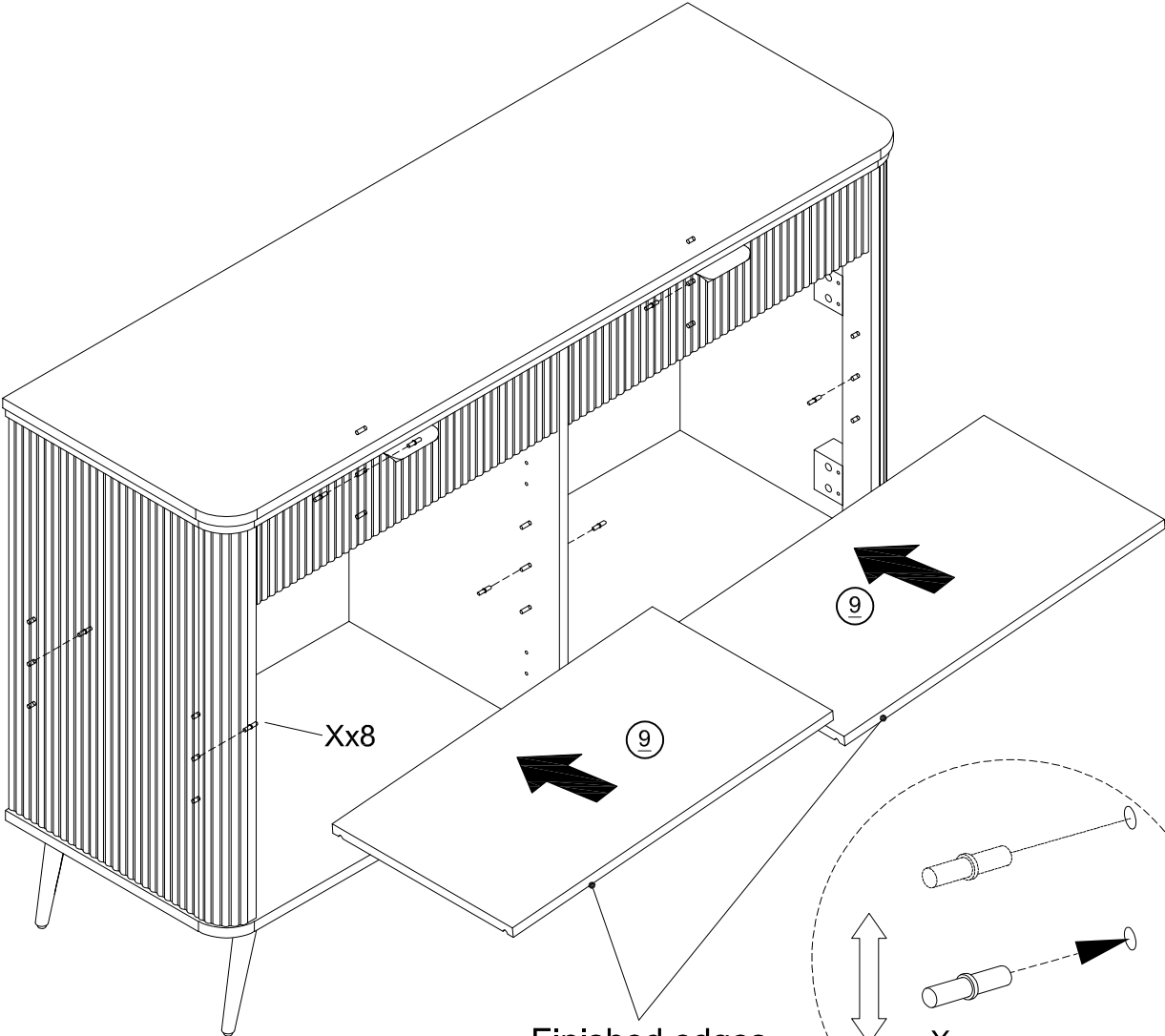
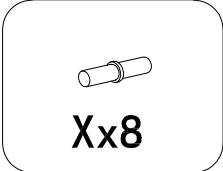
Serious or fatal injuries can occur from furniture tipping over. To prevent the furniture from tipping over we recommend that it is permanently fixed to the wall. Wall anchor and hardware are included with this product. Please make sure hardware is suitable for your walls before installing, as different wall materials may require different types of anchors.



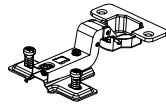
STEP 13



STEP 14



STEP 15



Vx8



Wx16

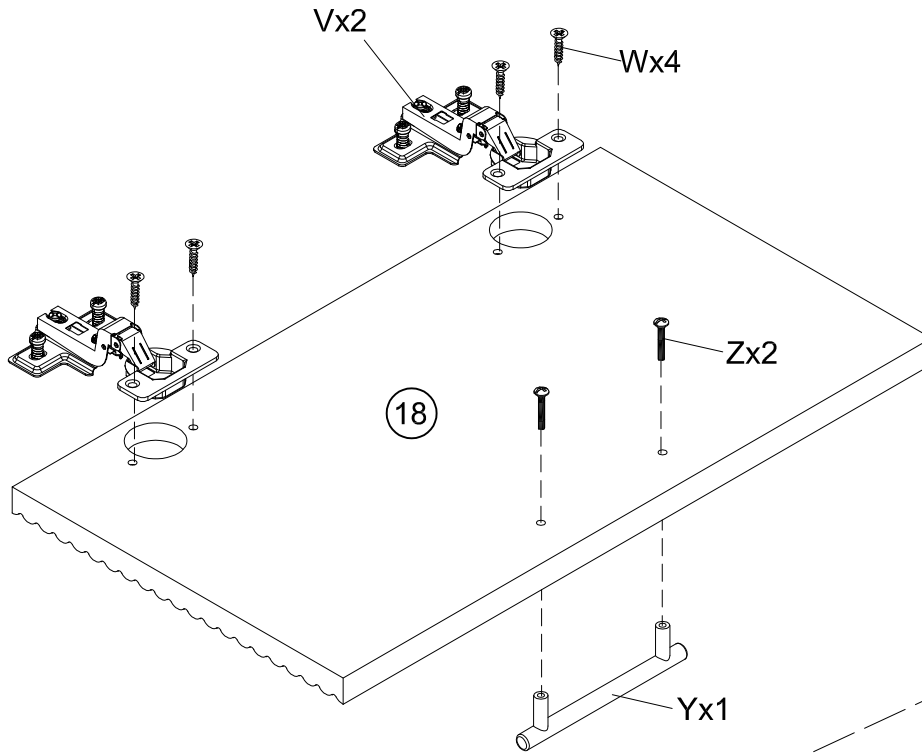
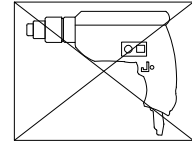


Yx4

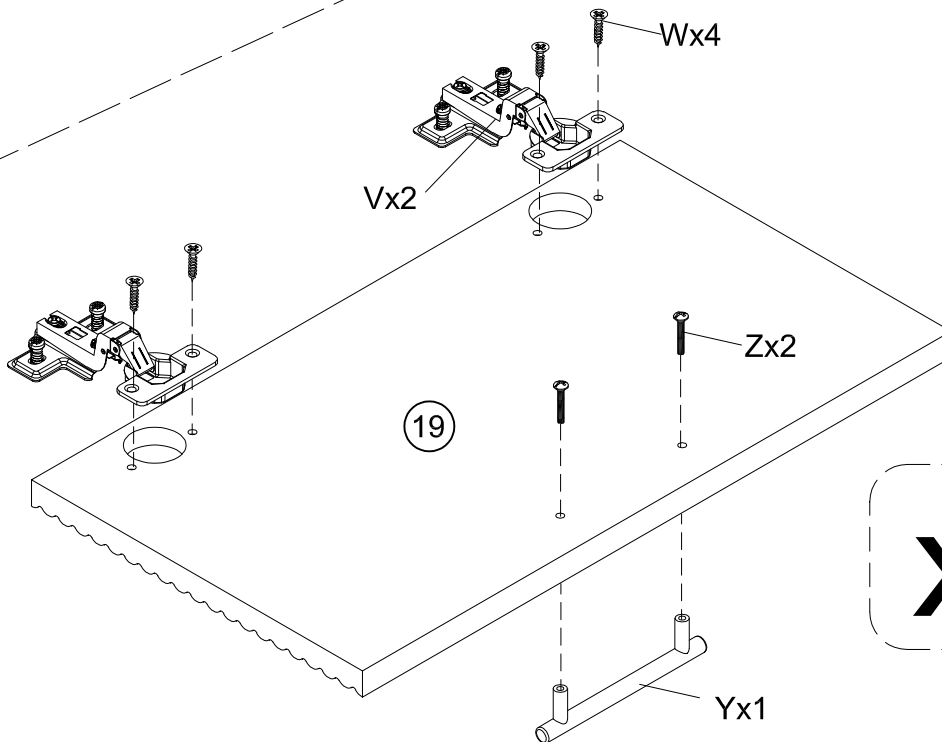


Zx8

Power tools should not be used to assemble and adjust the doors.



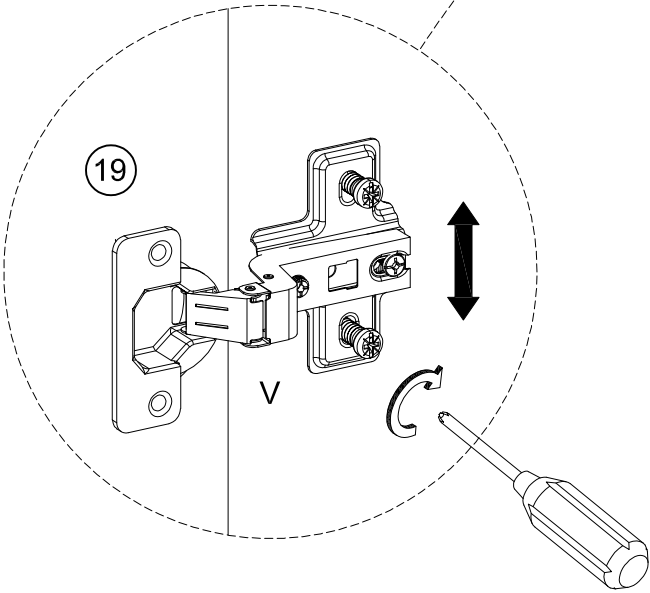
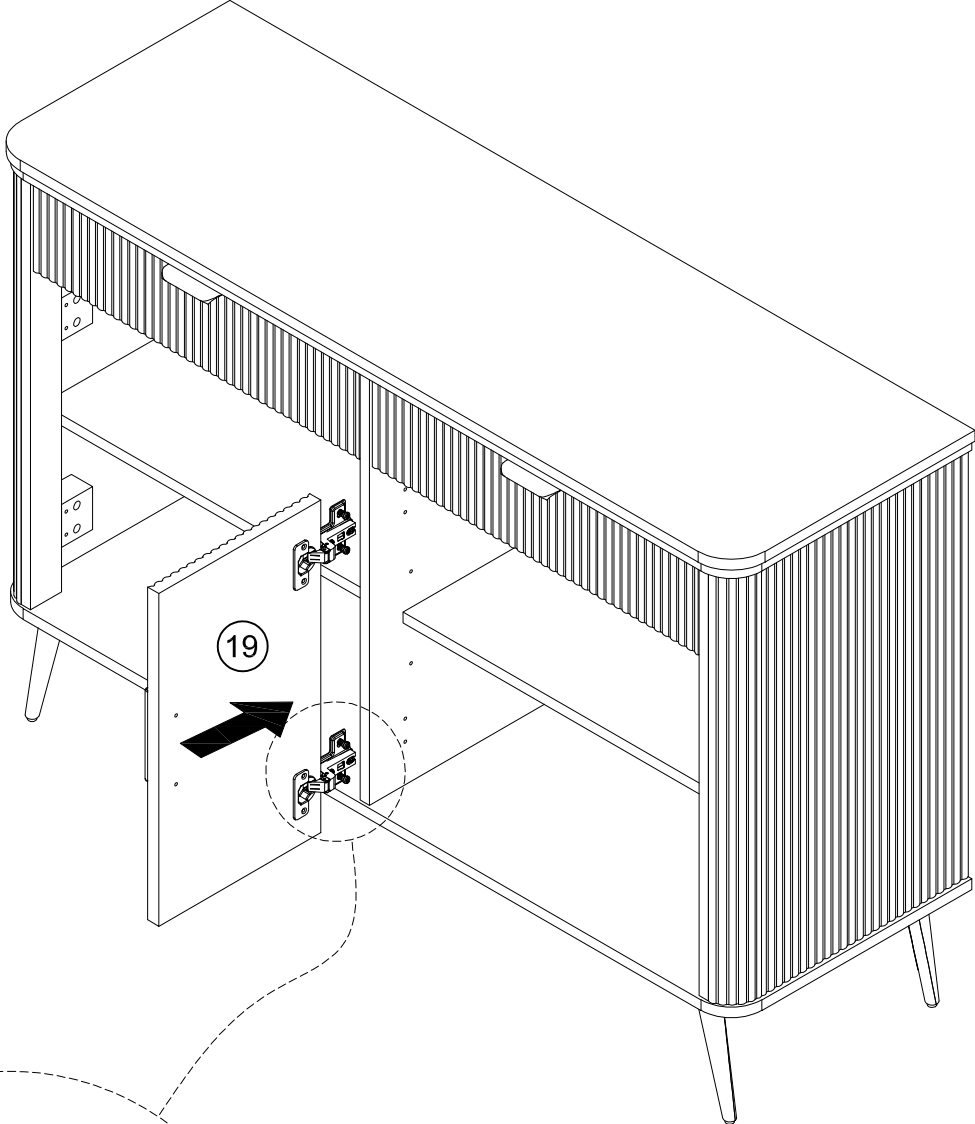
x3



x1

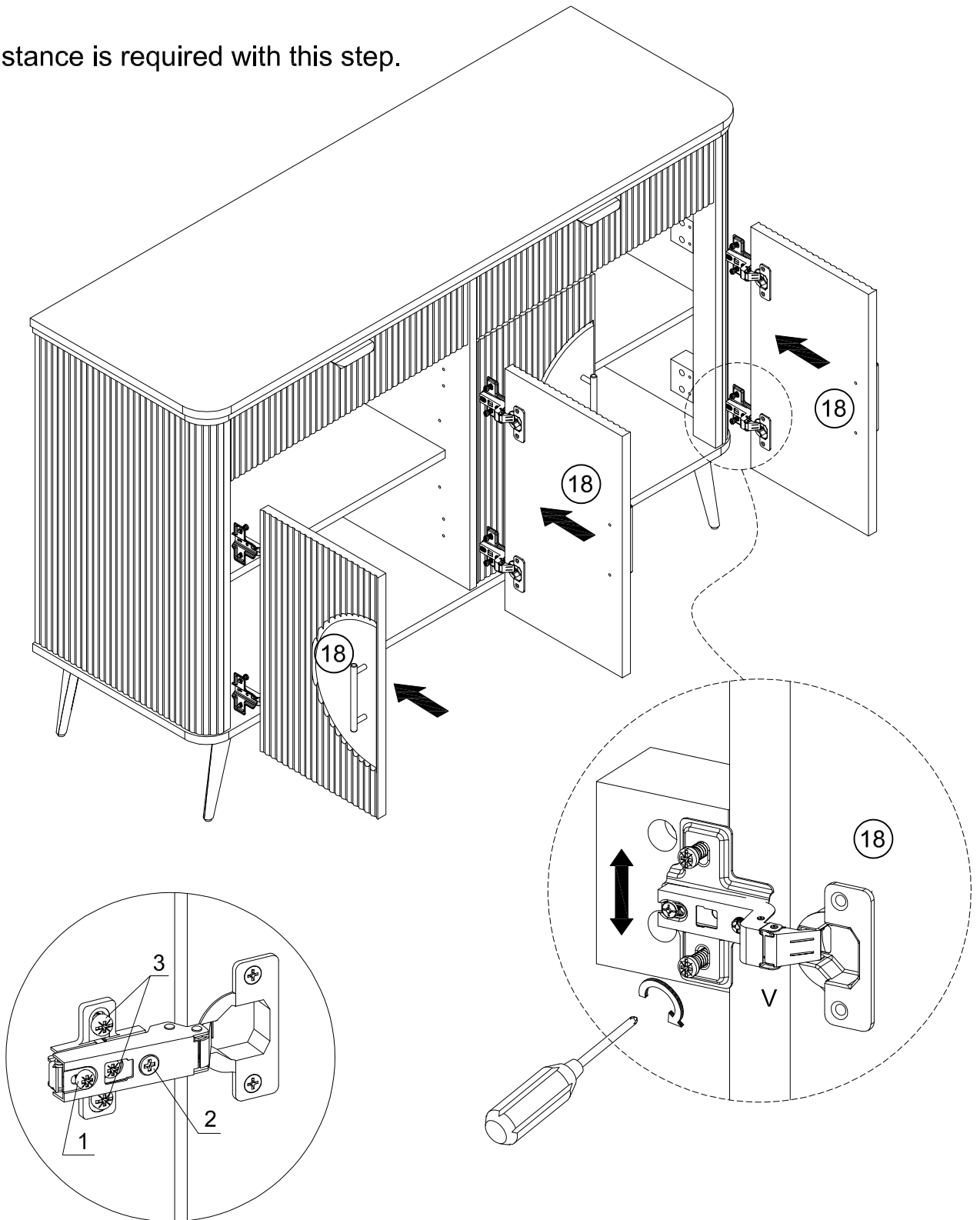
STEP 16

An assistance is required with this step.



STEP 17

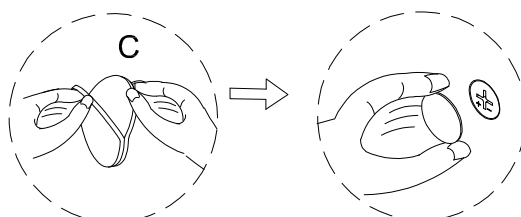
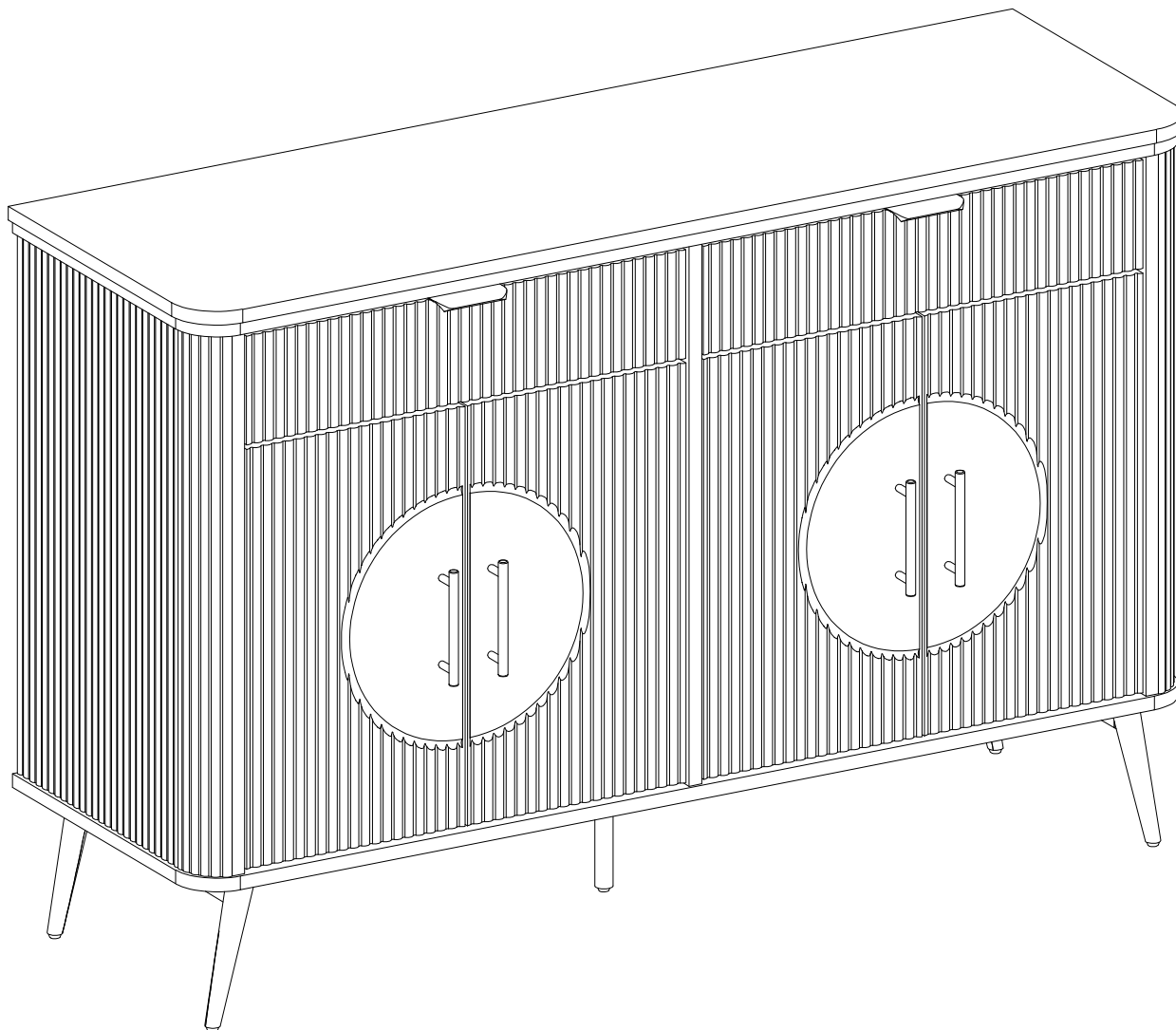
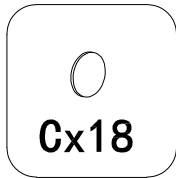
An assistance is required with this step.



If you find that the doors need to be adjusted slightly, turn the appropriate screw, as illustrated upper.

- 1. TO ADJUST THE DOOR FORWARD OR BACKWARD.**
- 2. TO ADJUST THE DOOR TO RIGHT OR TO LEFT.**
- 3. TO ADJUST THE DOOR UP OR DOWN.**

STEP 18



· Stick stickers (C) on cam locks (B).

Final Assembly