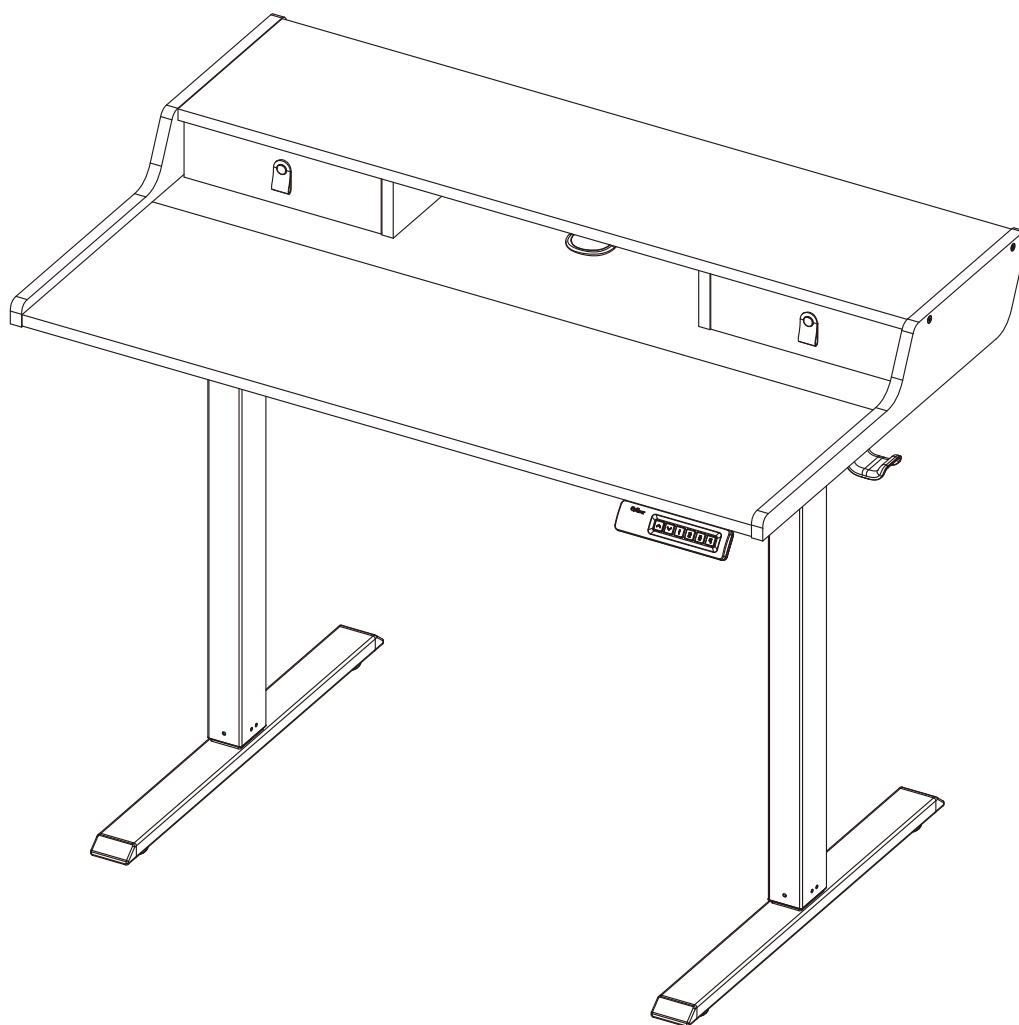


# Electric Standing Desk





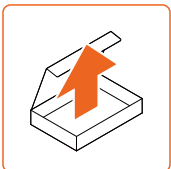
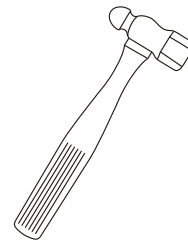
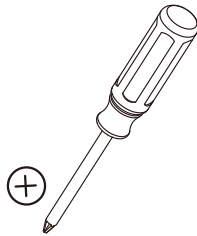
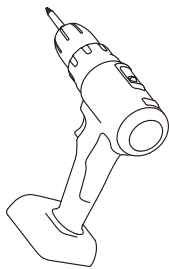
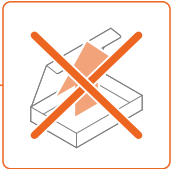
Height Adjustment Range  
27.9-46.8" (71-119cm)



Power Input  
100V-240V



Max. Speed  
18mm/s



M6 x 30mm

**A** x 8



M6 x 10mm

**B** x 10



5/32" (4mm)

**C** x 1



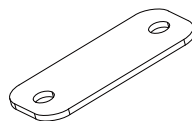
ST5 x 14mm

For 40" / 48" **x 20**

For 55" **x 22**

For 63" **x 24**

**D**

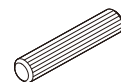


For 40" / 48" **x 2**

For 55" **x 3**

For 63" **x 4**

**F**

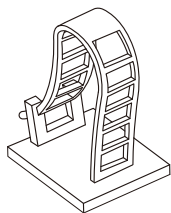


For 40" **x 12**

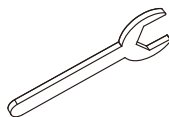
For 48" **x 13**

For 55" / 63" **x 14**

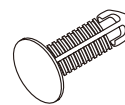
**G**



**H** x 4

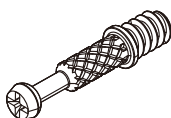


**I** x 1



For 40" / 48" **x 6**  
For 55" / 63" **x 7**

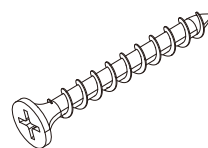
**K**



**L1** x 10

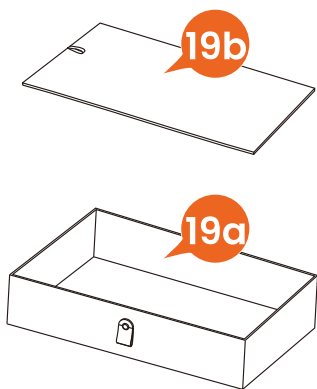


**L2** x 10

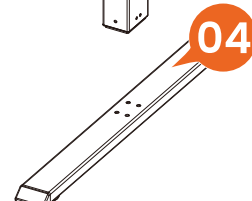
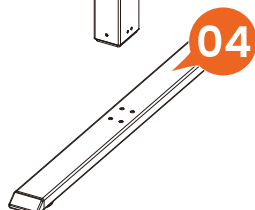
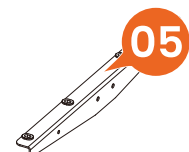
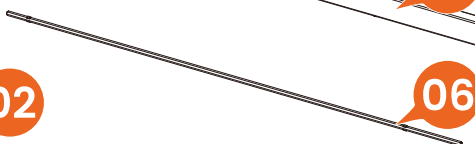
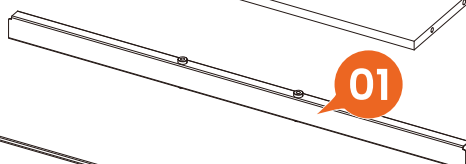
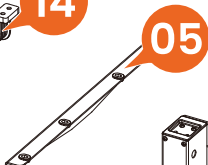
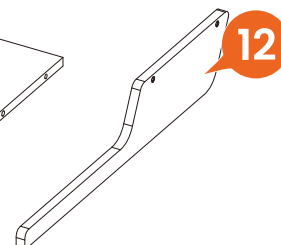
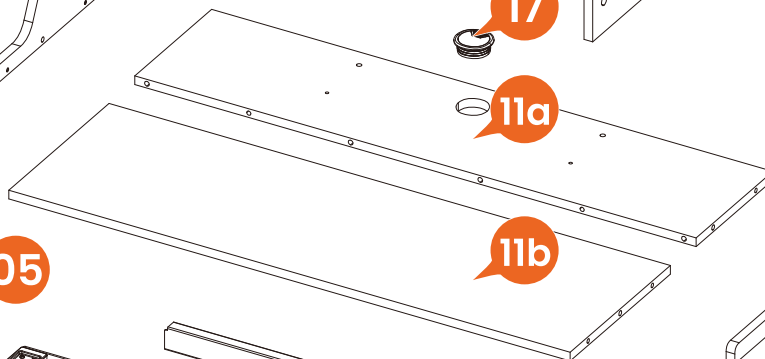
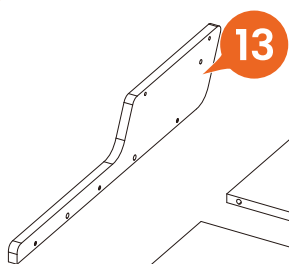
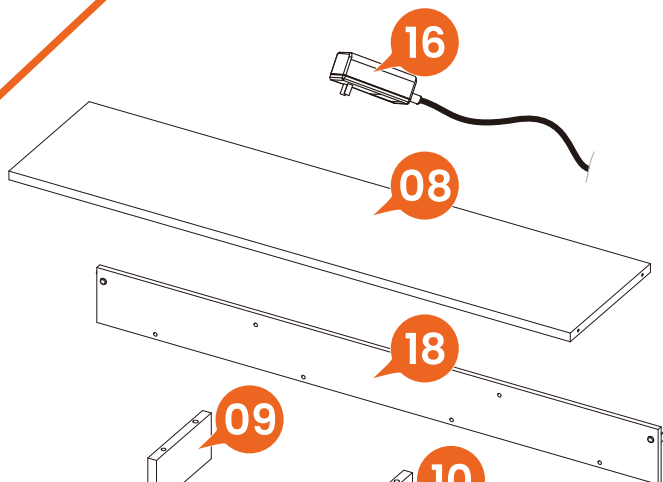


ST4 x 35mm

**M** x 6



x2



# 1

## Assembling the Frame

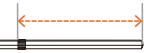
L Leg End

Motor End

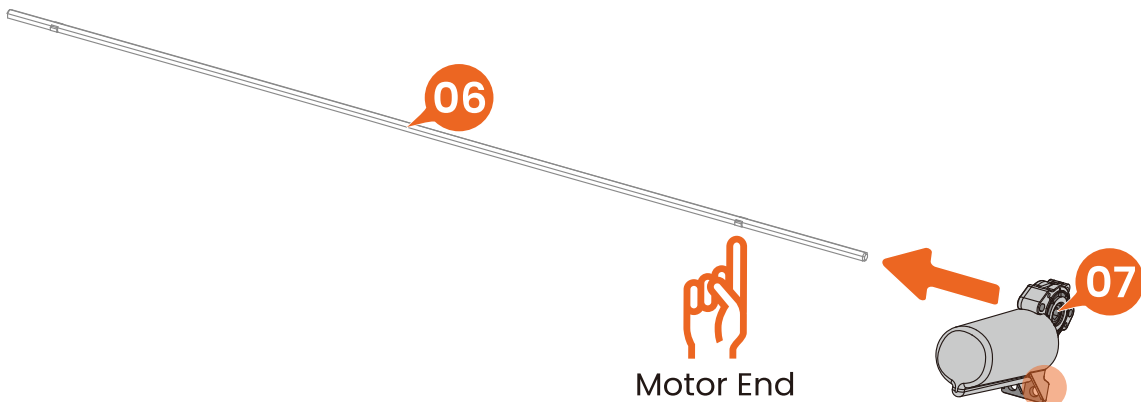


The bump is set back closer.

06



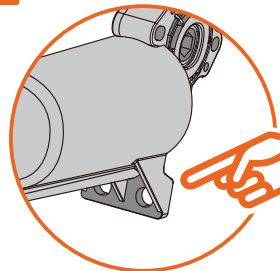
The bump is set back farther.



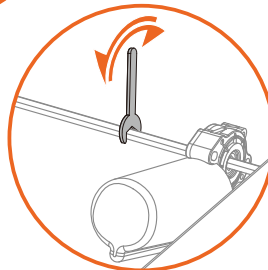
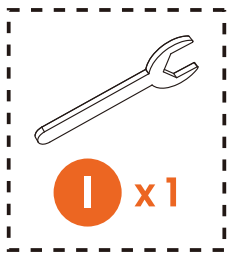
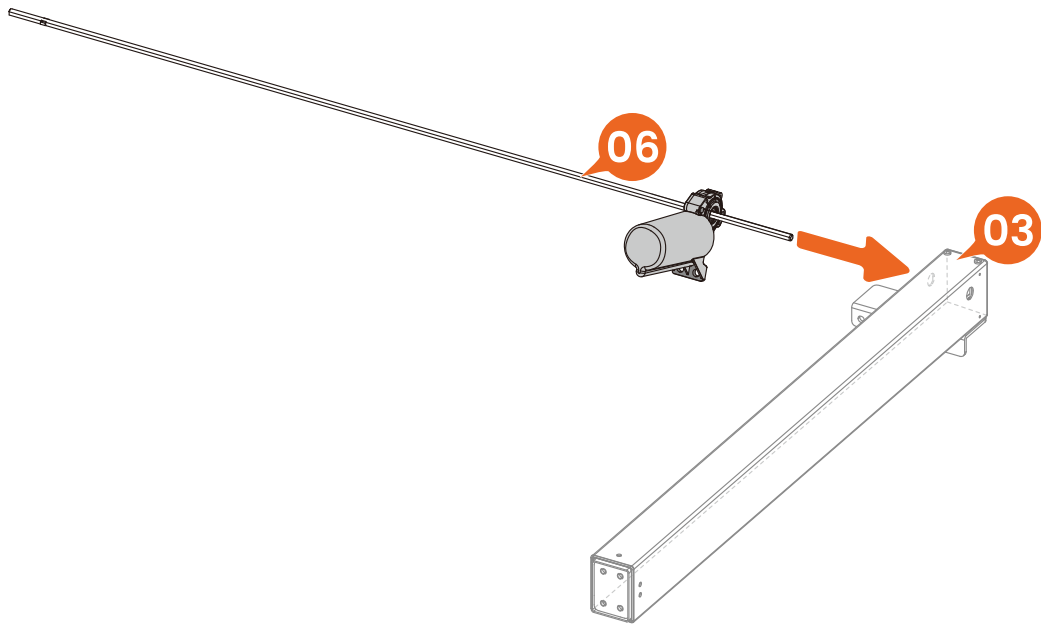
06

Motor End

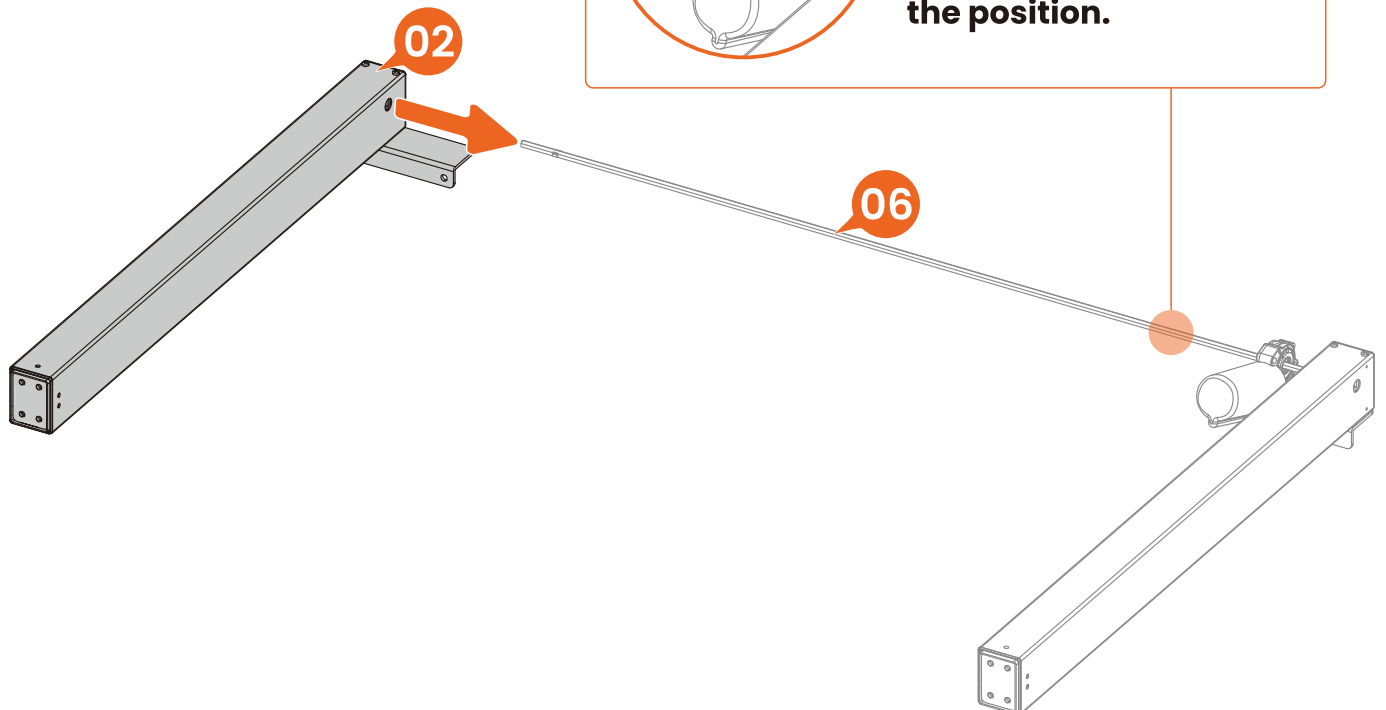
07



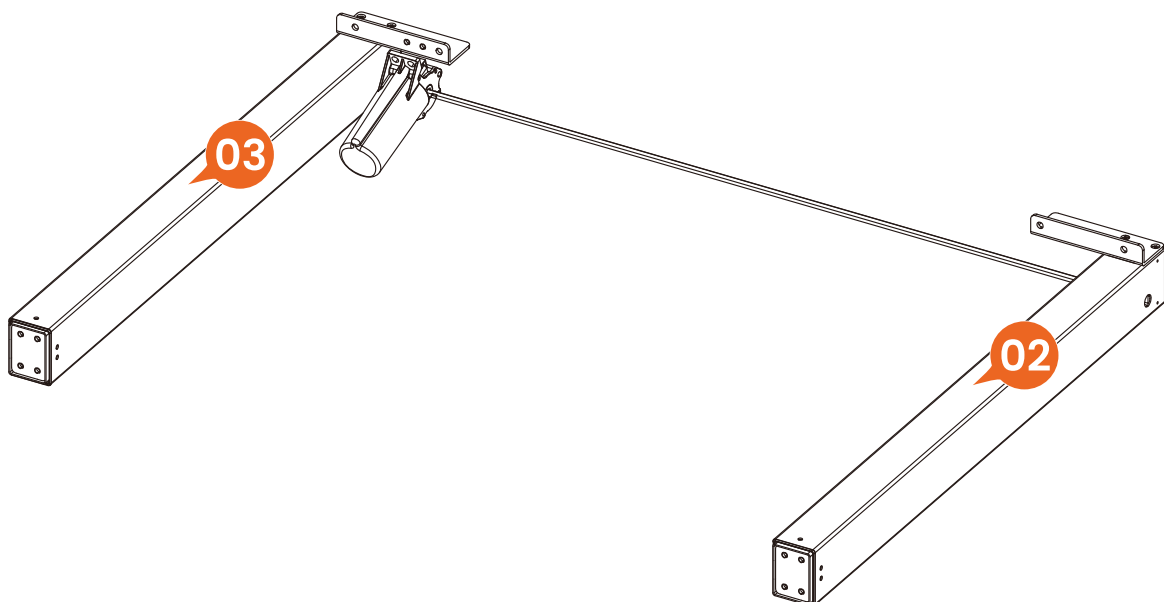
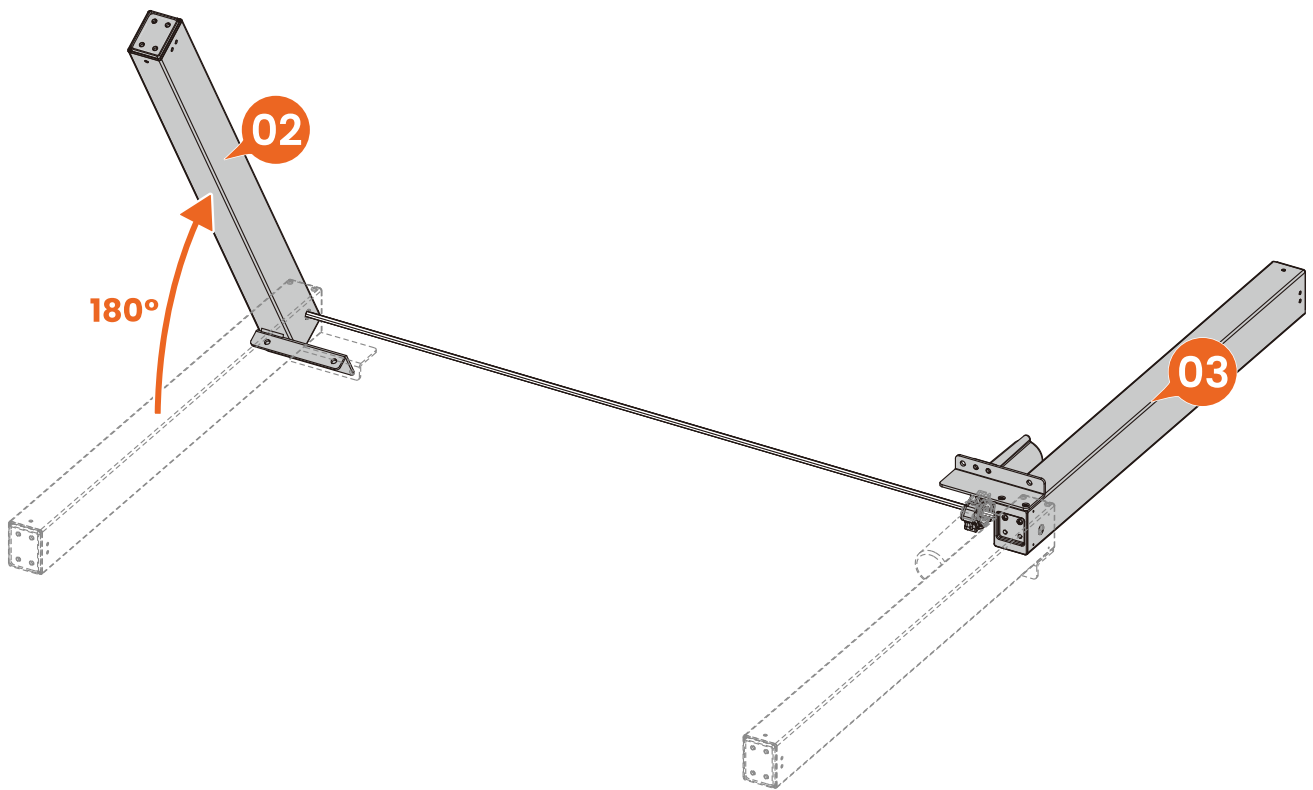
**Note the direction of the tab.**

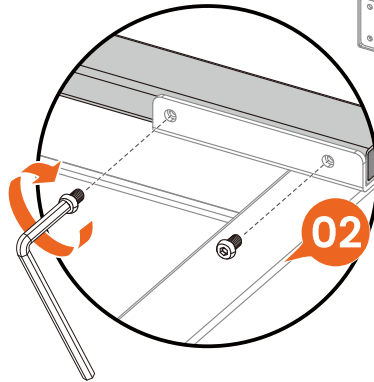
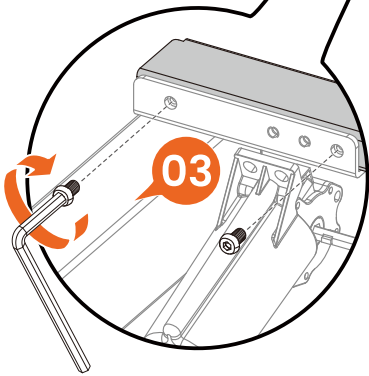
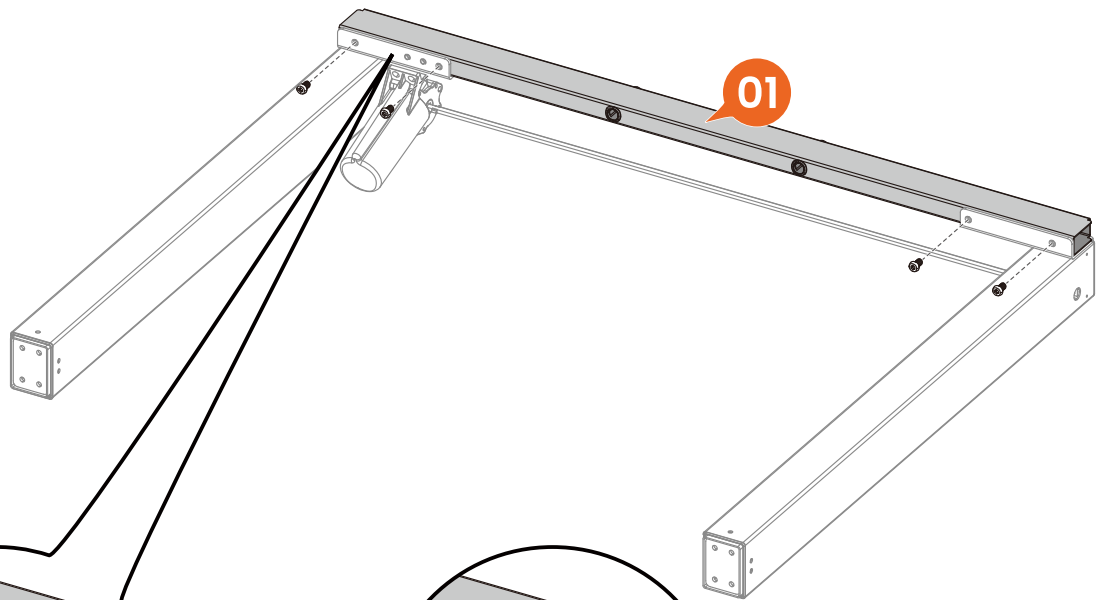
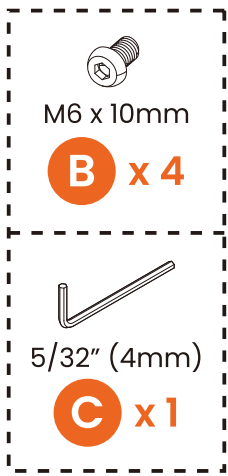


If the transmission rod doesn't fit smoothly into the hole in the L leg, use the wrench to fine-tune the position.

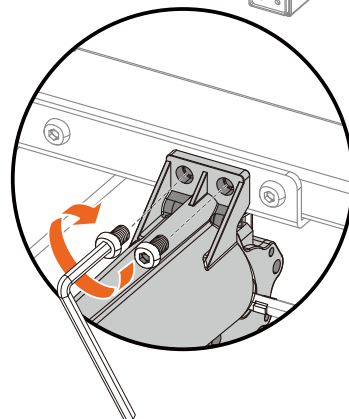
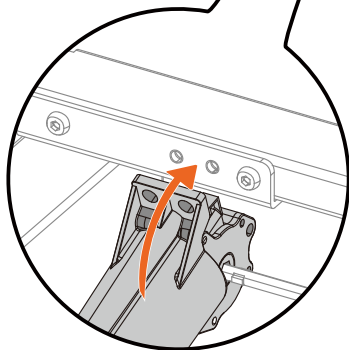
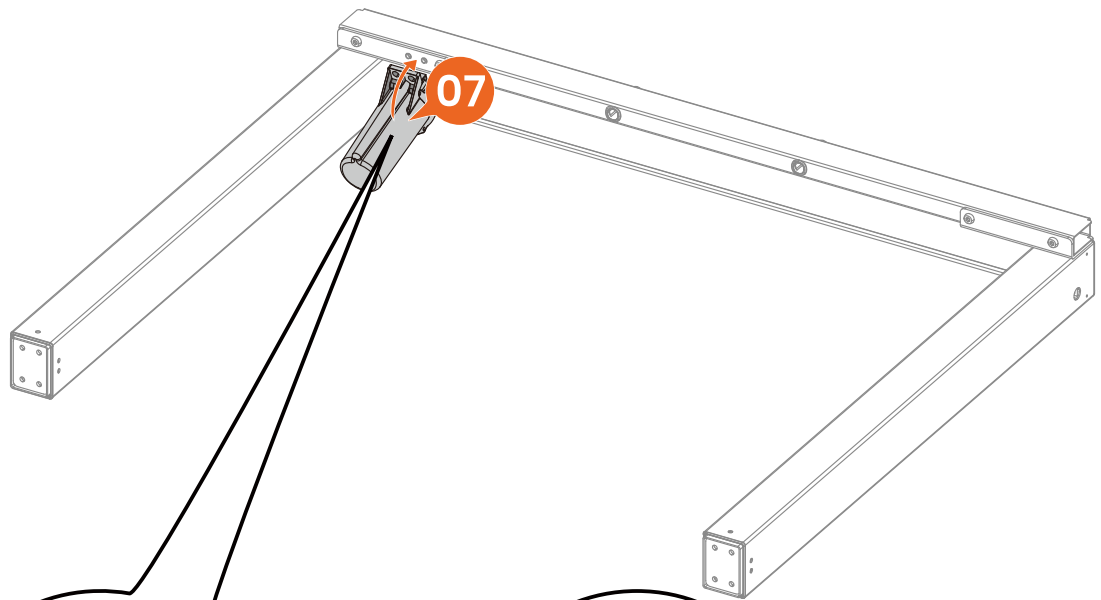
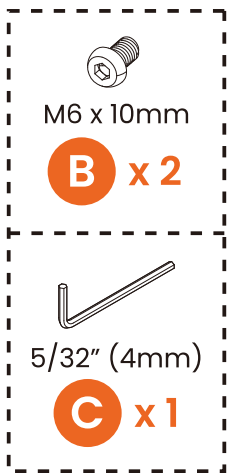


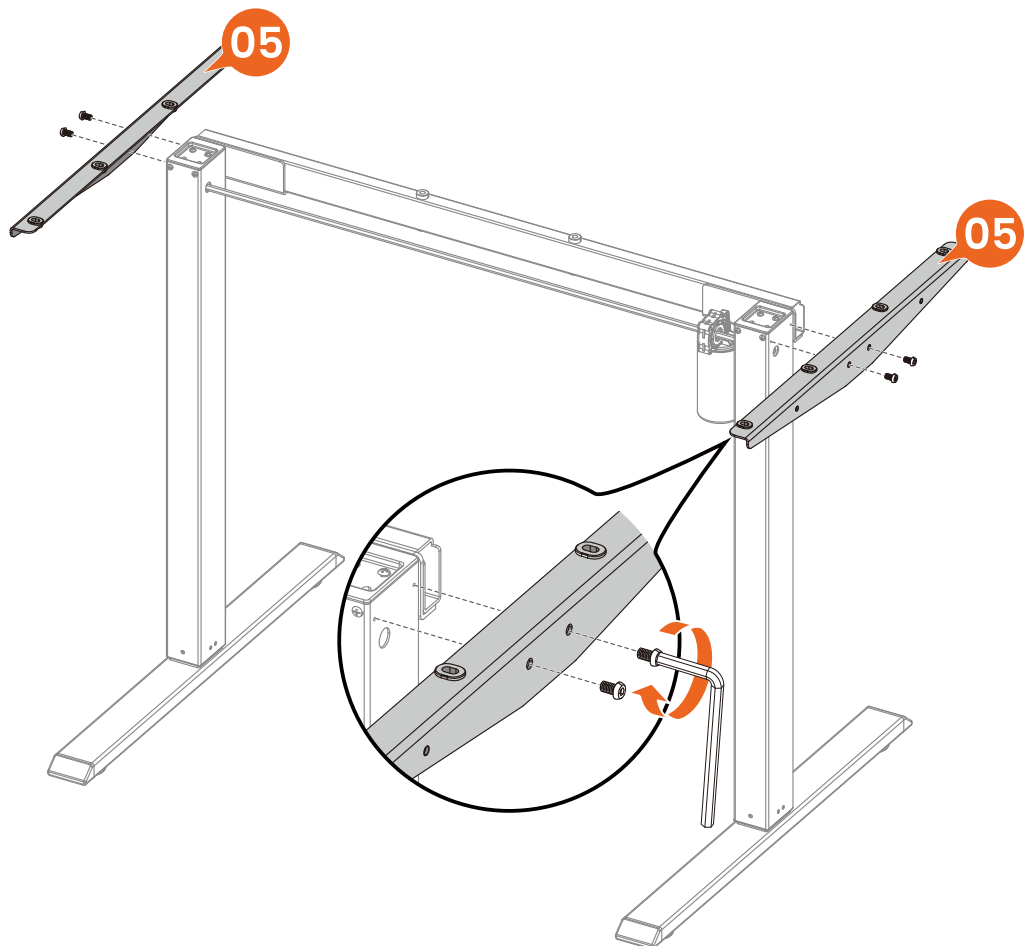
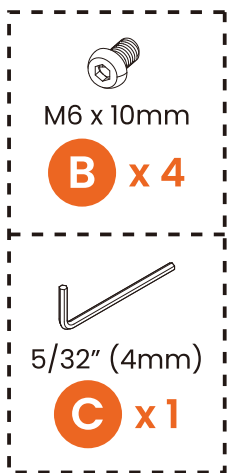
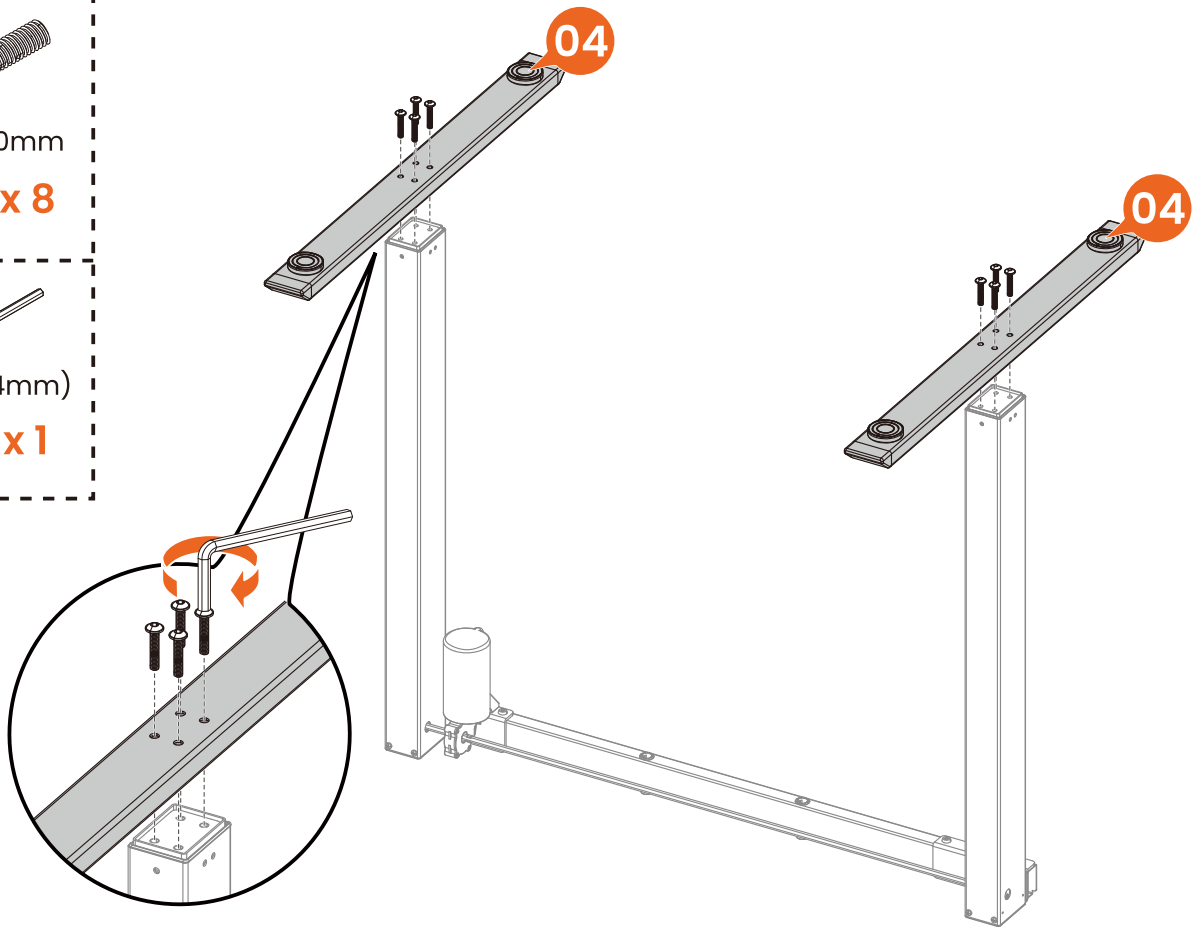
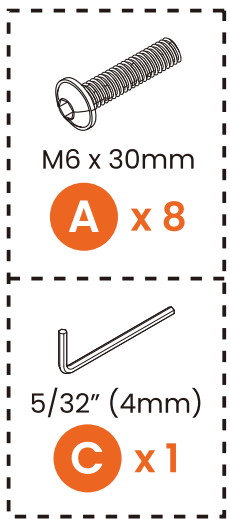
Carefully flip each leg over for crossbar attachment.



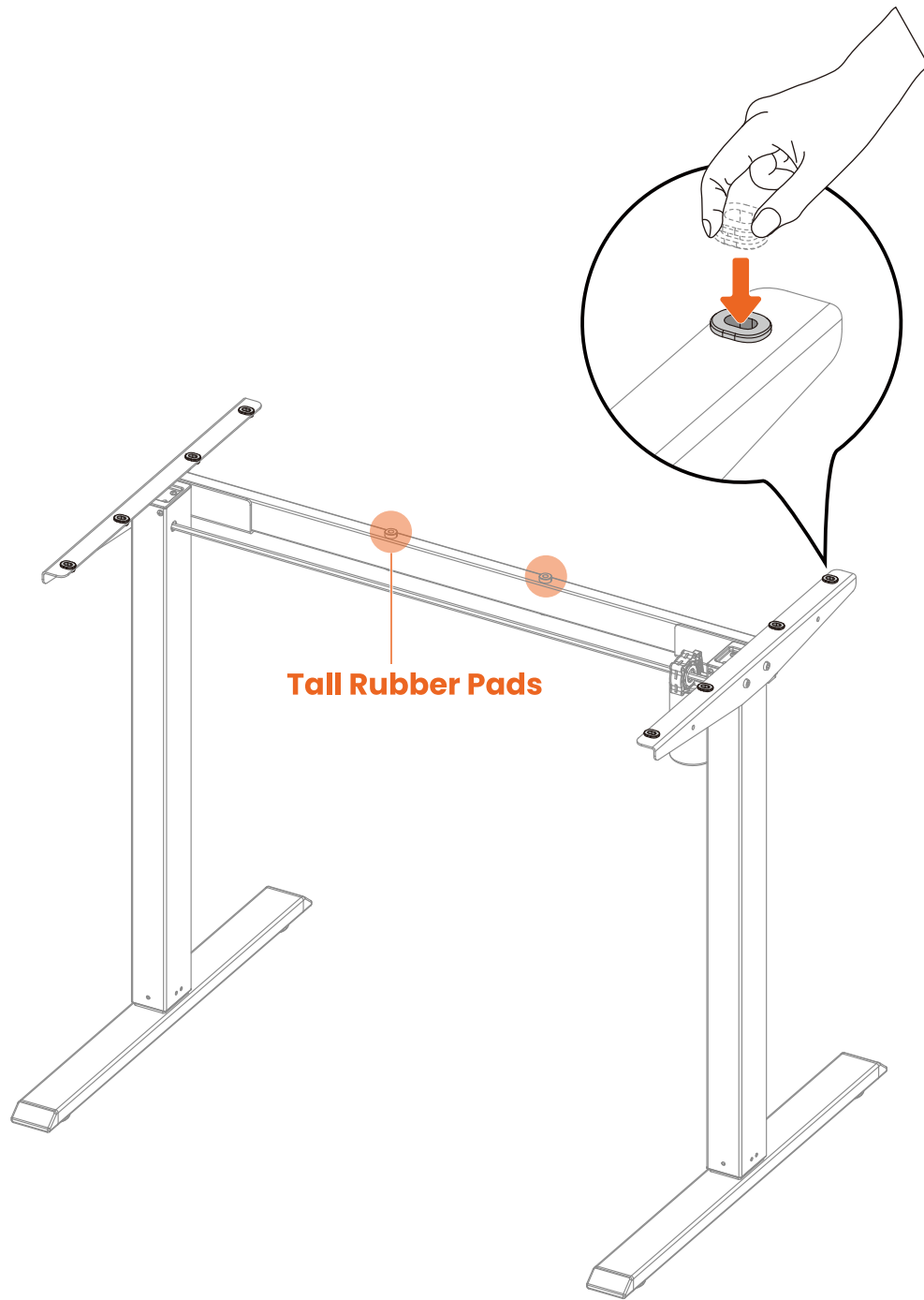


If the holes in the crossbar and L leg are not aligned, adjust the L leg.





Ensure the rubber pads are attached to the frame. If any have fallen off, reattach them or use the spare rubber pads.



# 2

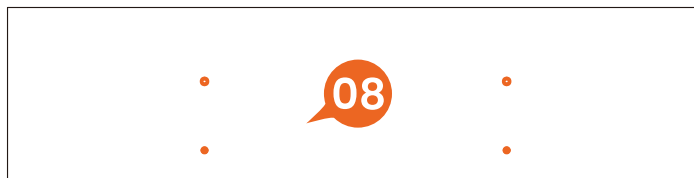
## Attaching the Desktop and Other Parts



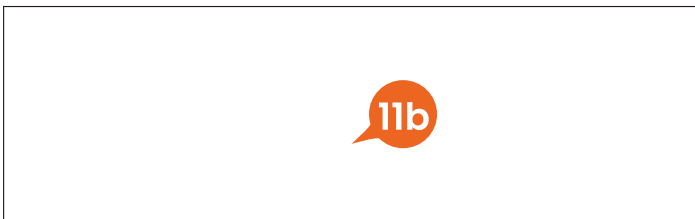
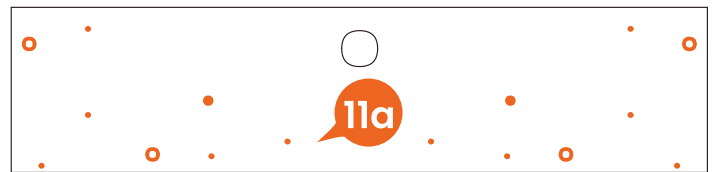
The dots below indicate pre-drilled hole locations.



Top



Bottom

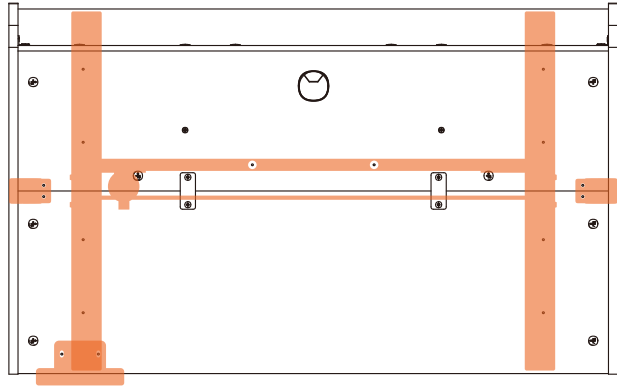


Top

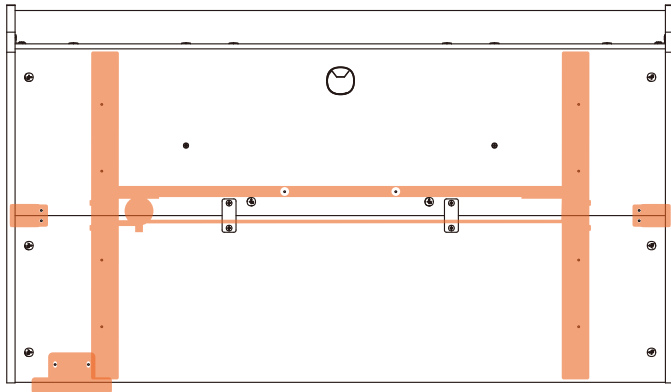
Bottom

**! Hole locations may vary for different products.**

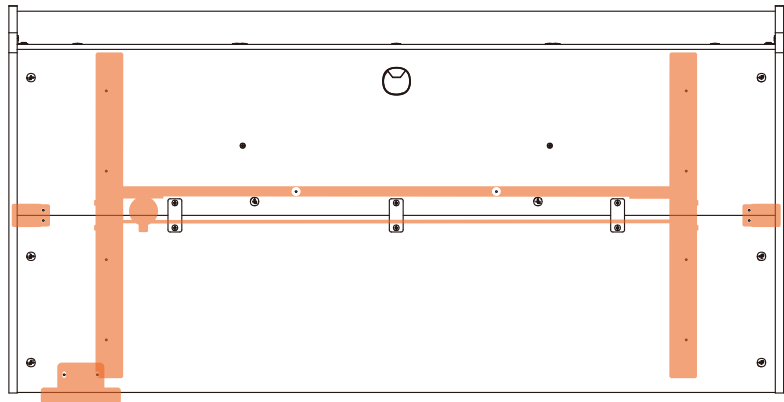
40 x 24"  
(EGESD35)



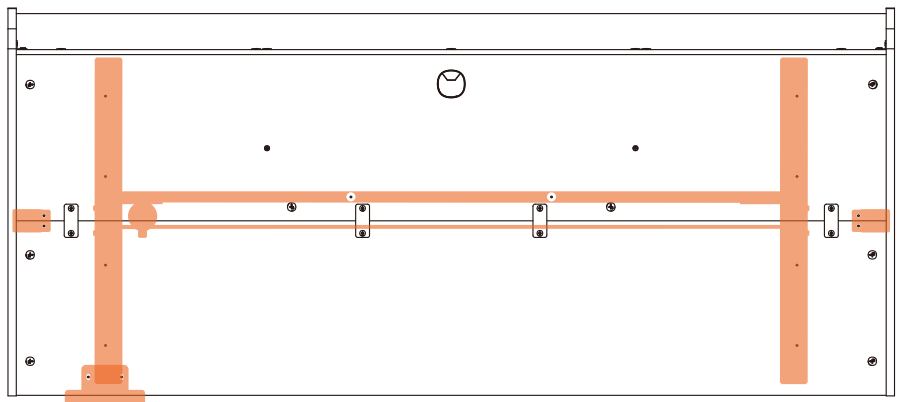
48 x 24"  
(EGESD36 / EGESD125)

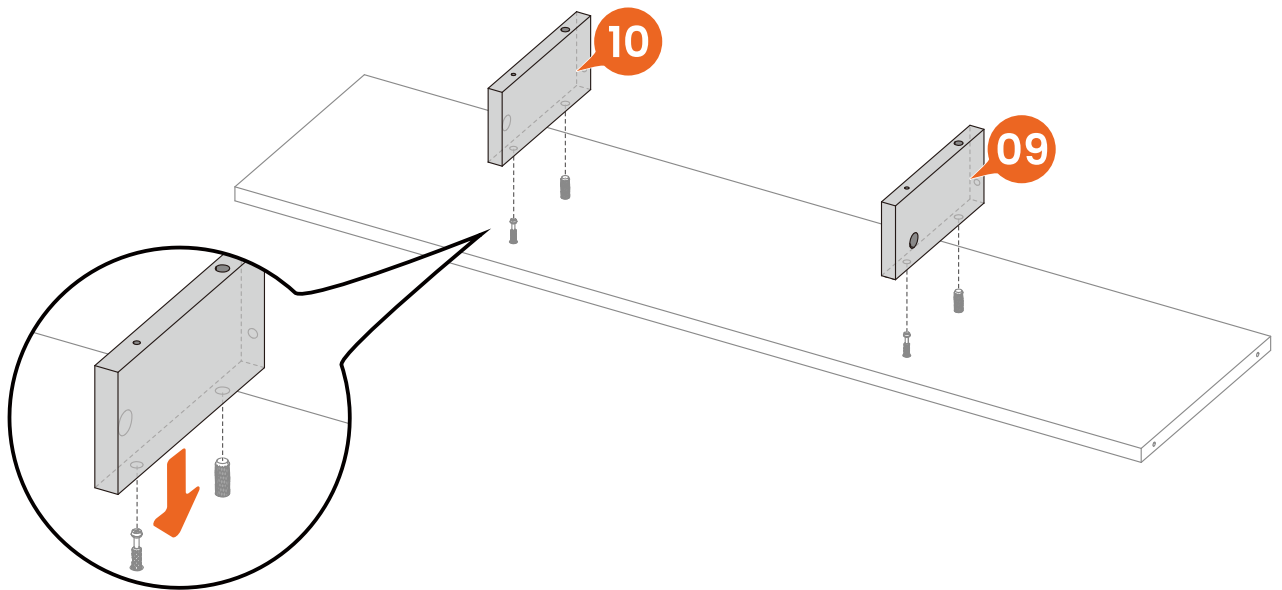
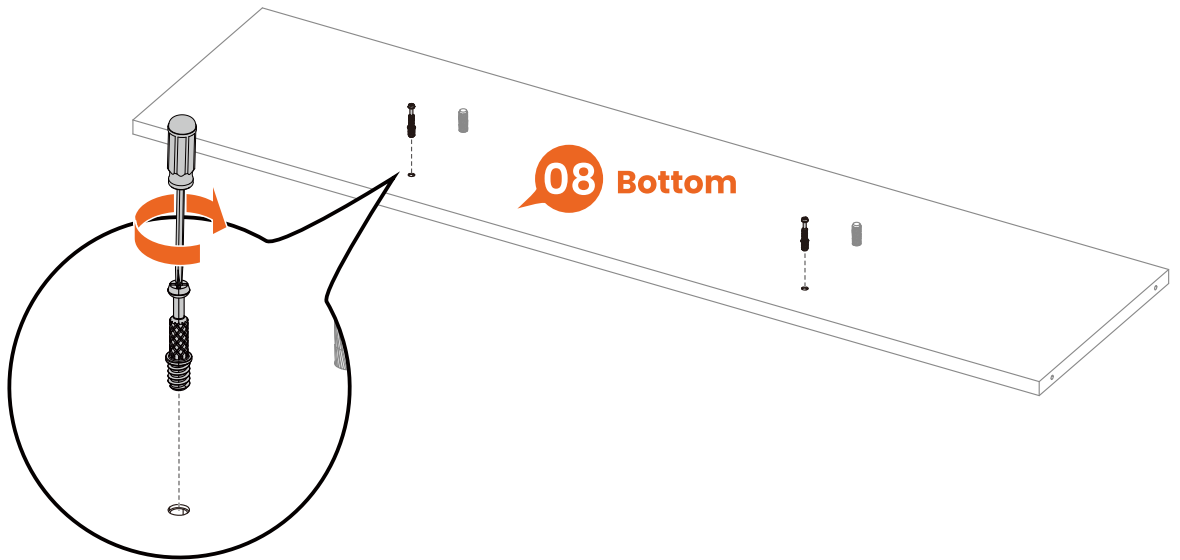
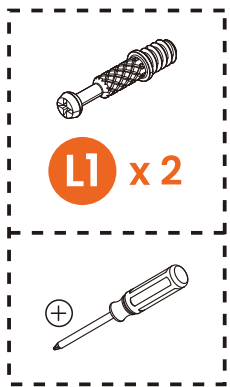
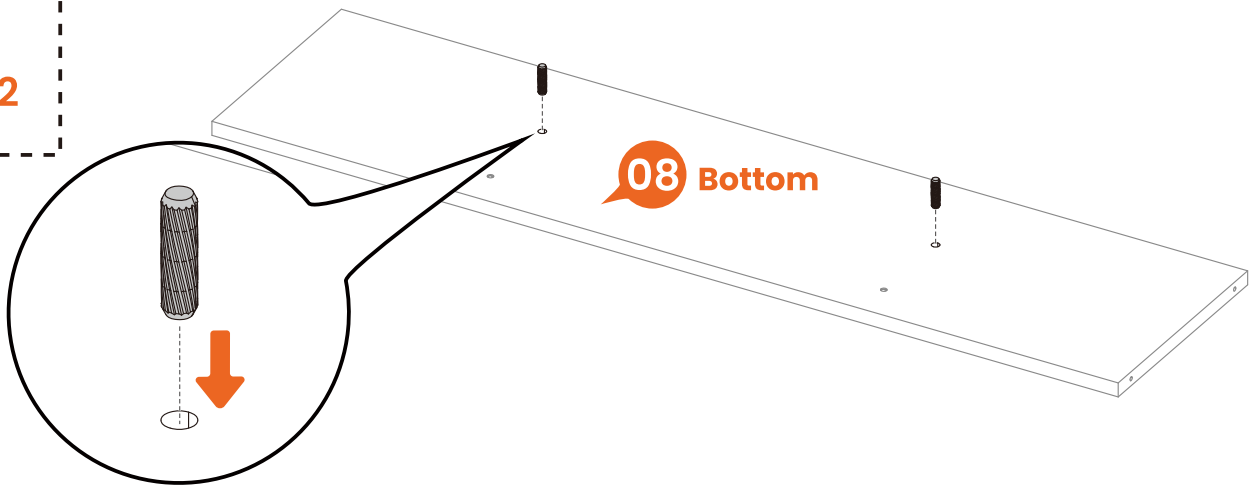


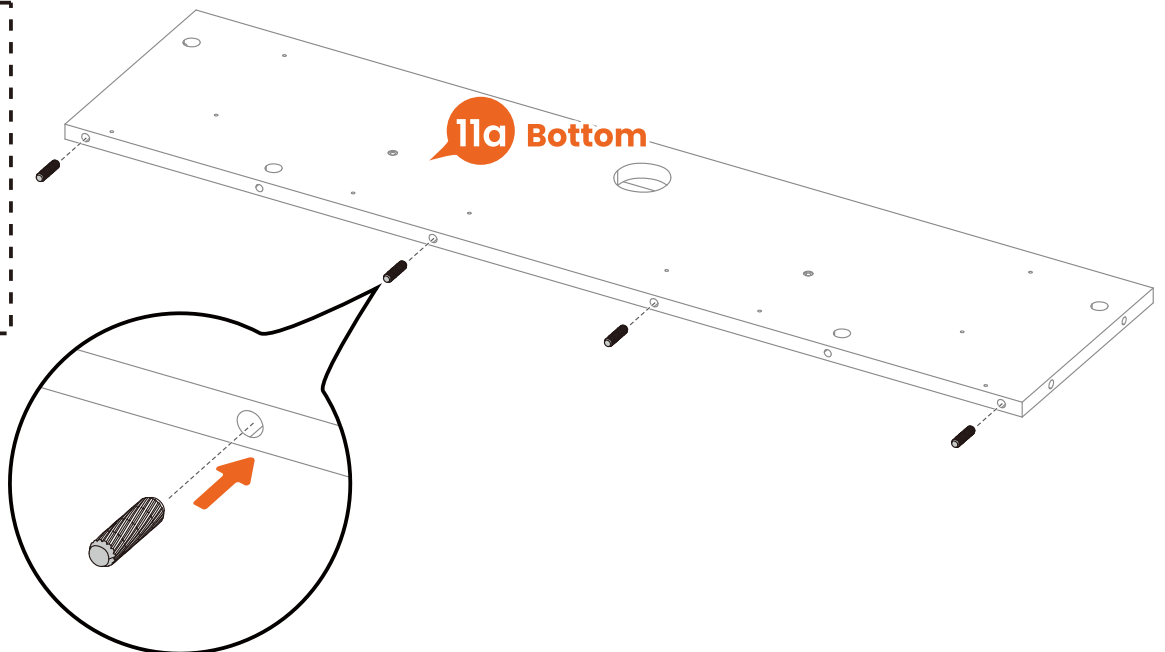
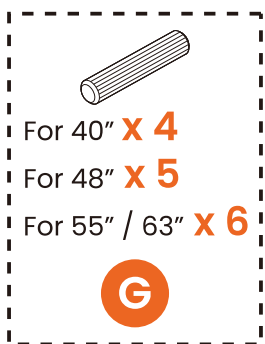
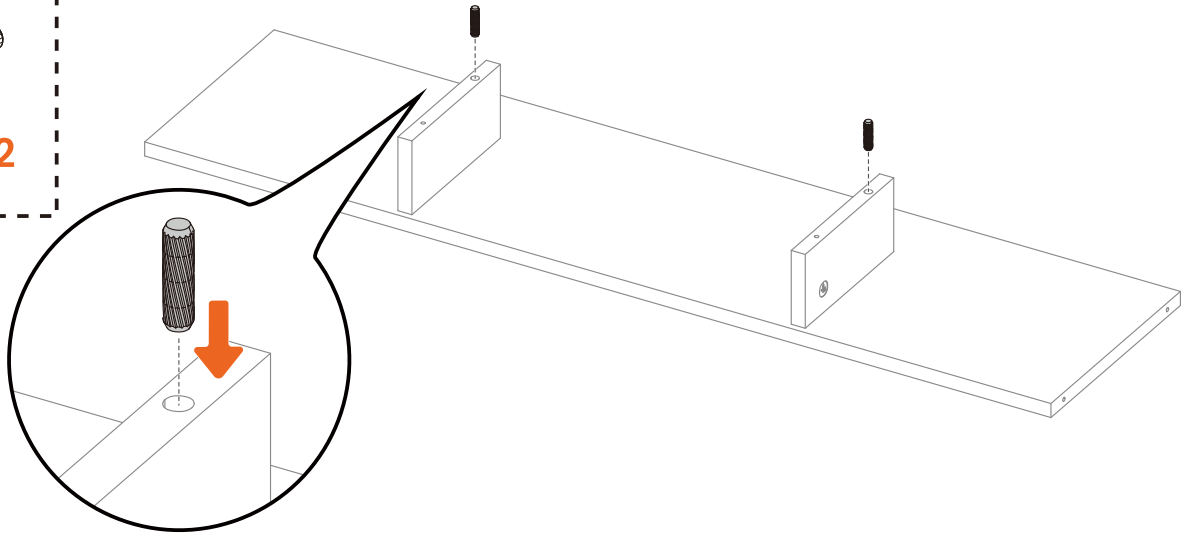
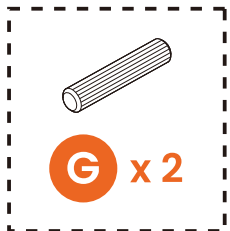
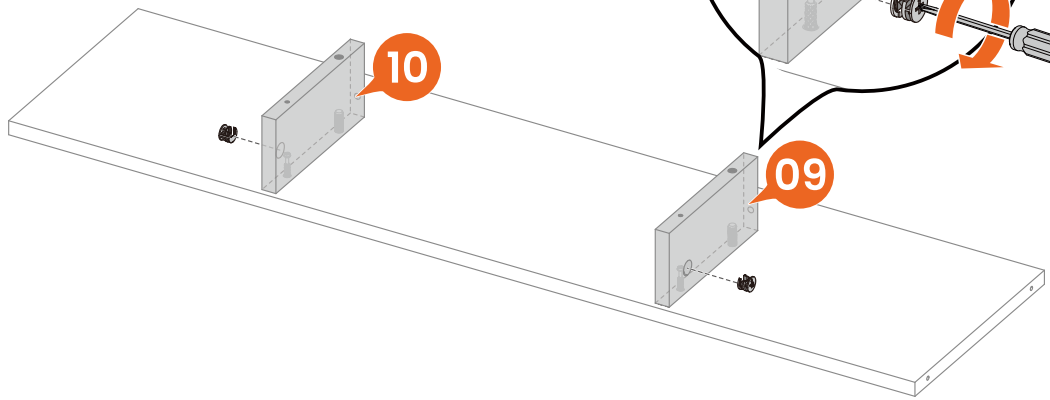
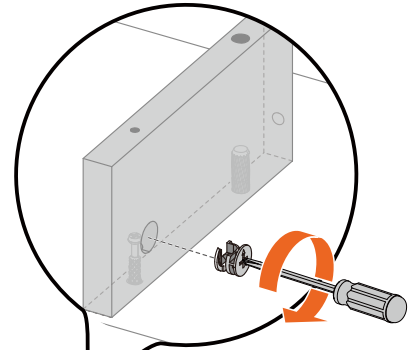
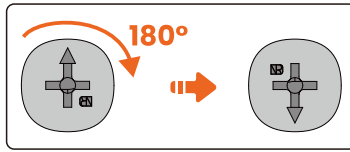
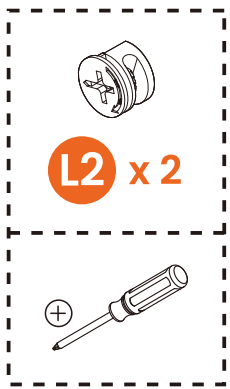
55 x 28"  
(EGESD37)

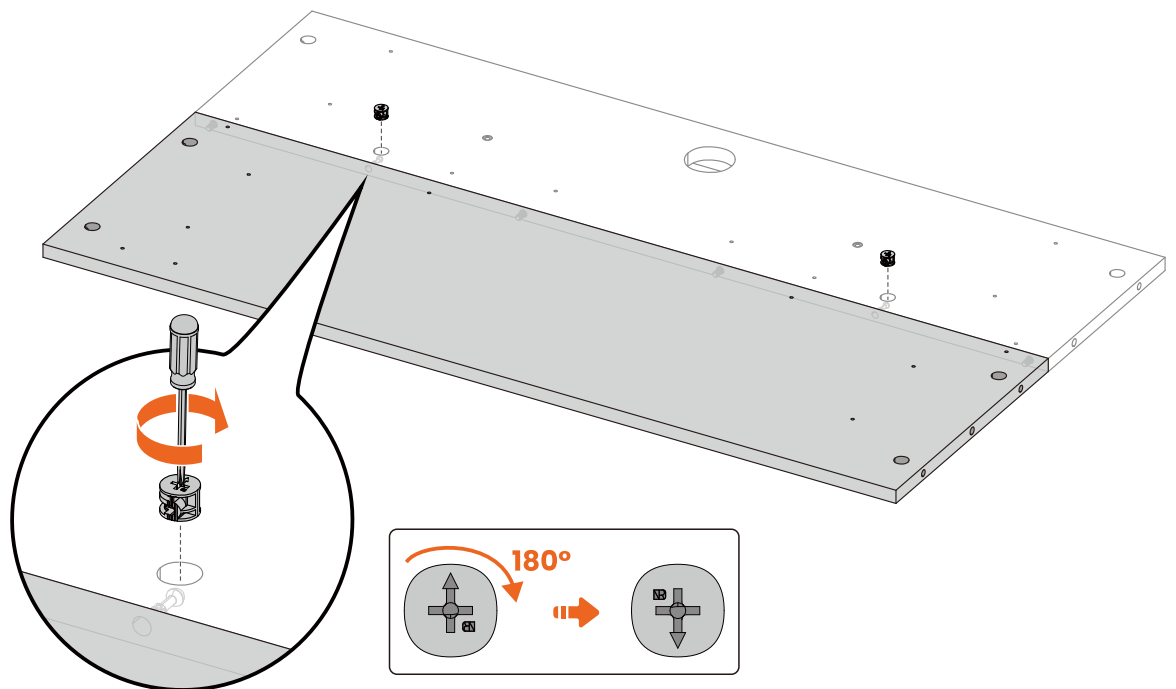
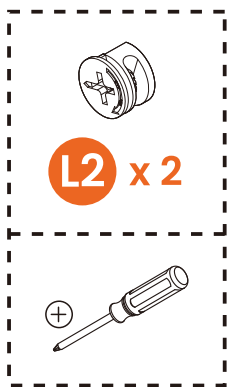
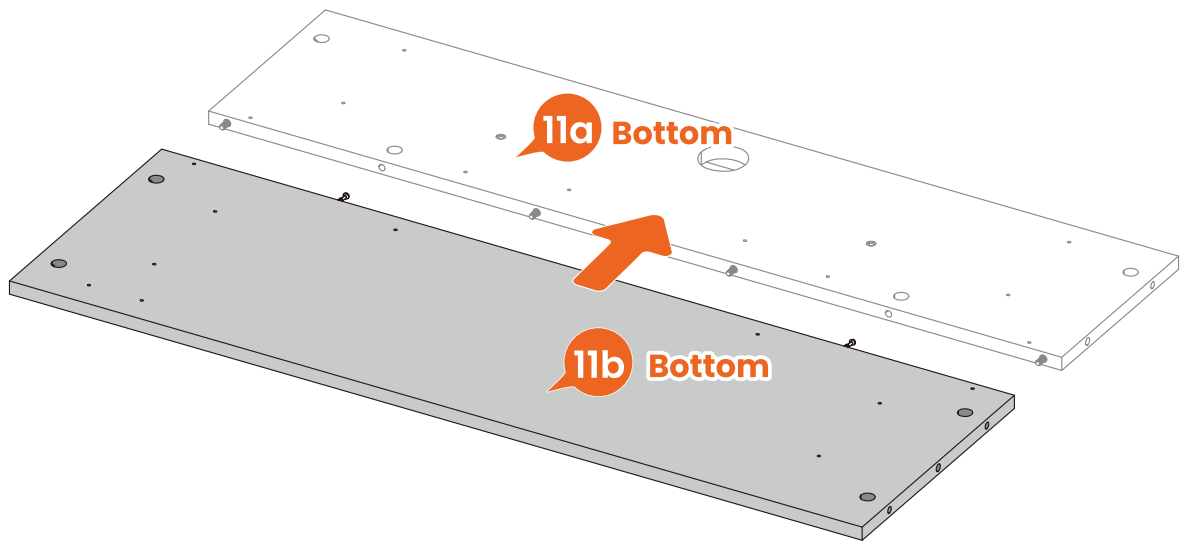
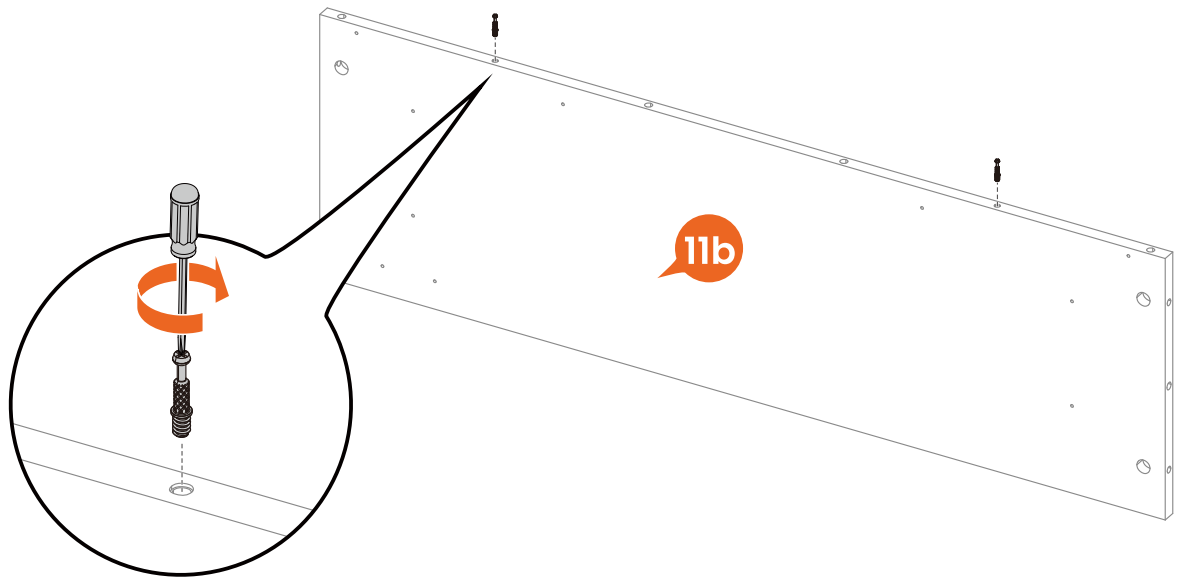
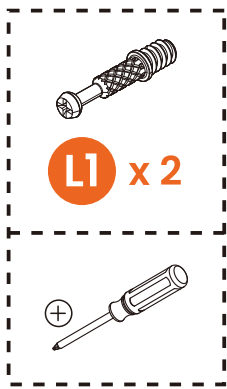


63 x 28"  
(EGESD38)











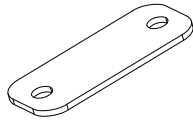
ST5 x 14mm

For 40" / 48" **X 4**

For 55" **X 6**

For 63" **X 8**

**D**

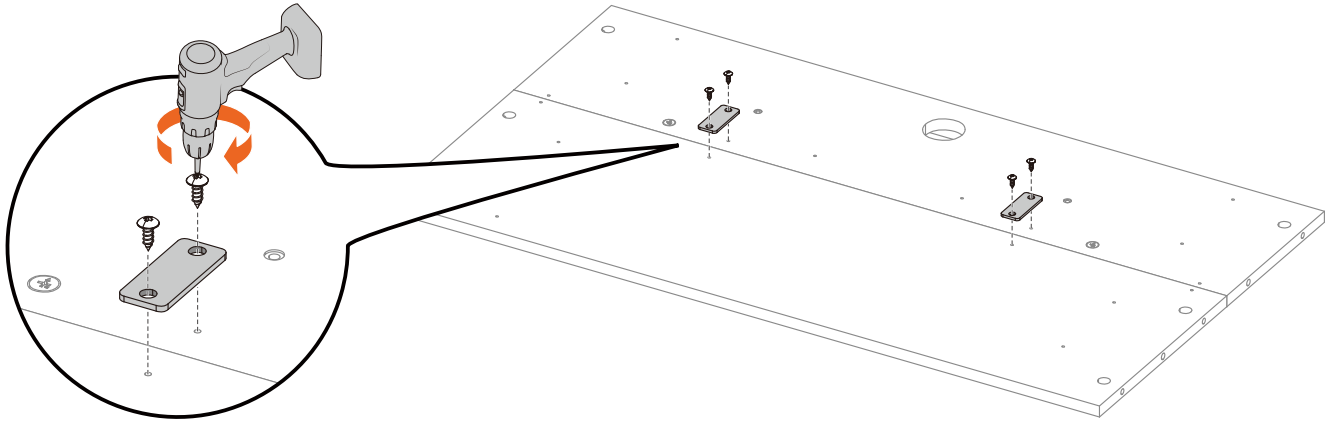
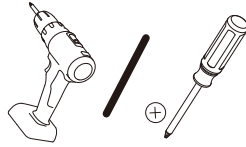


For 40" / 48" **X 2**

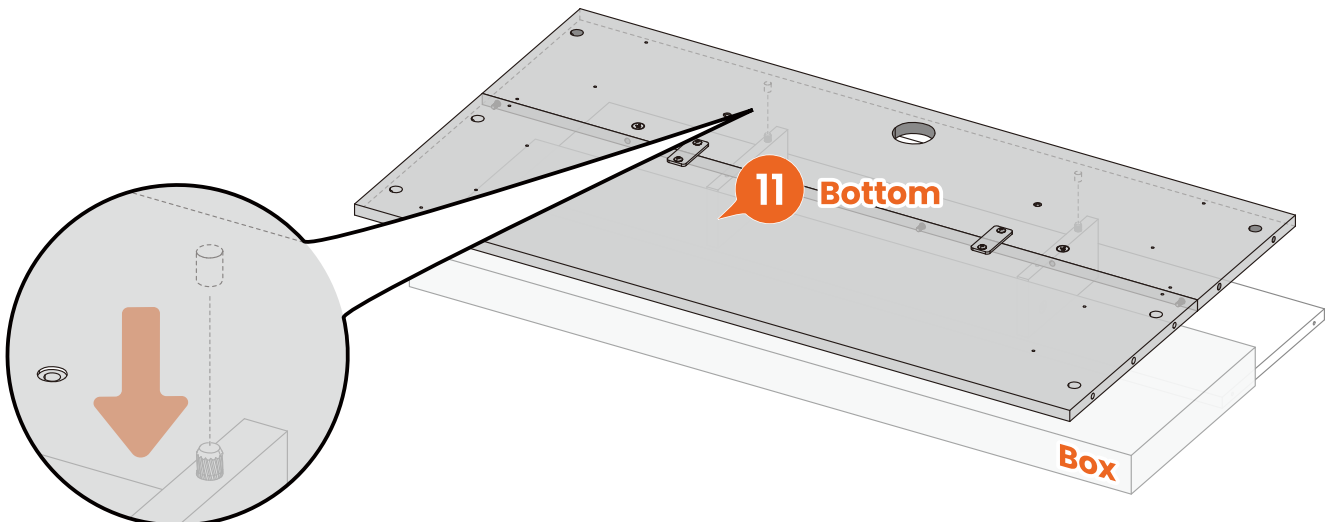
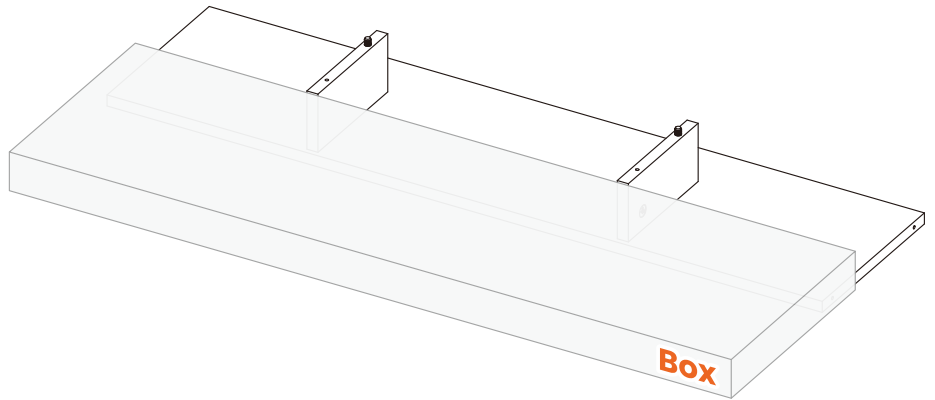
For 55" **X 3**

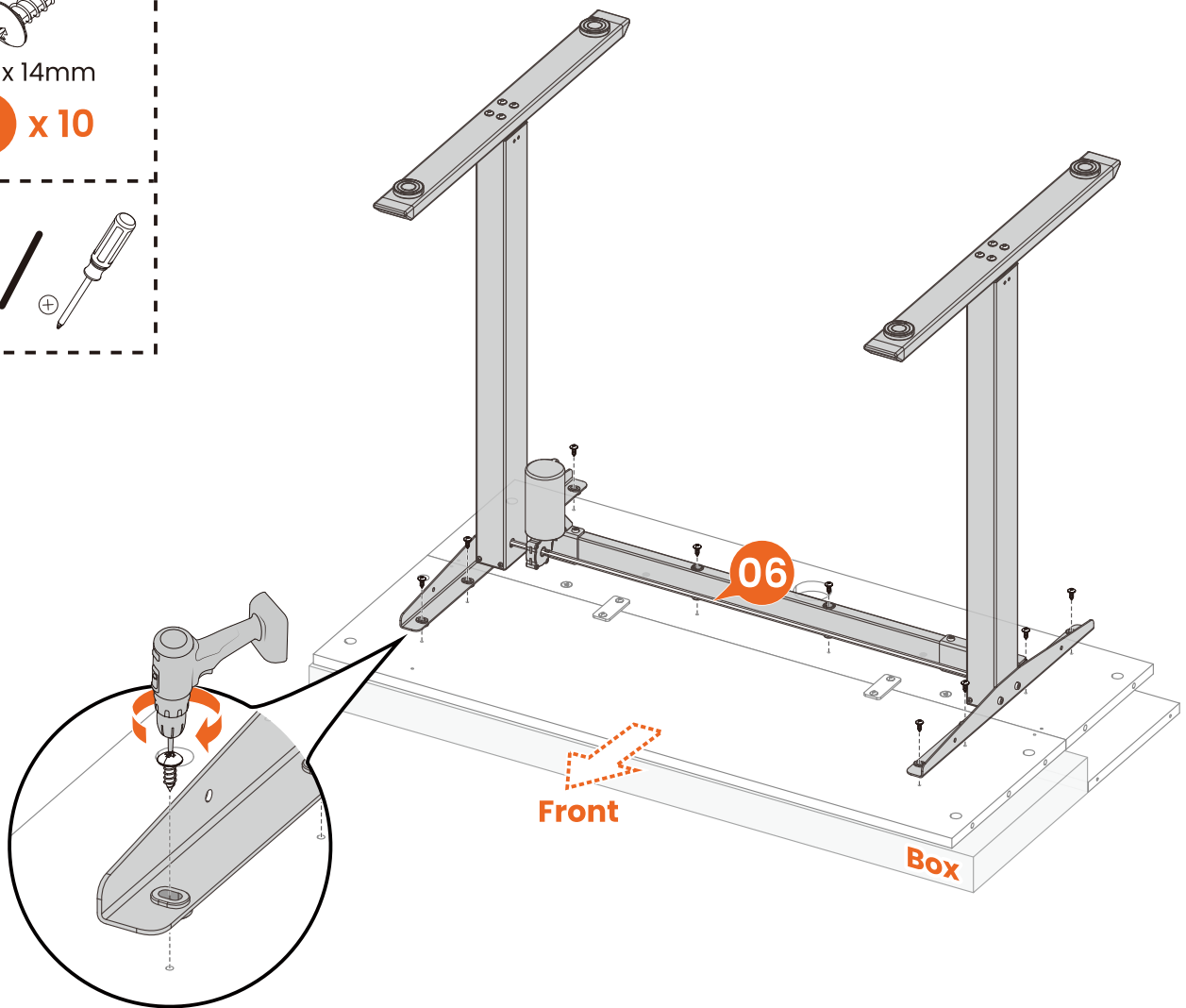
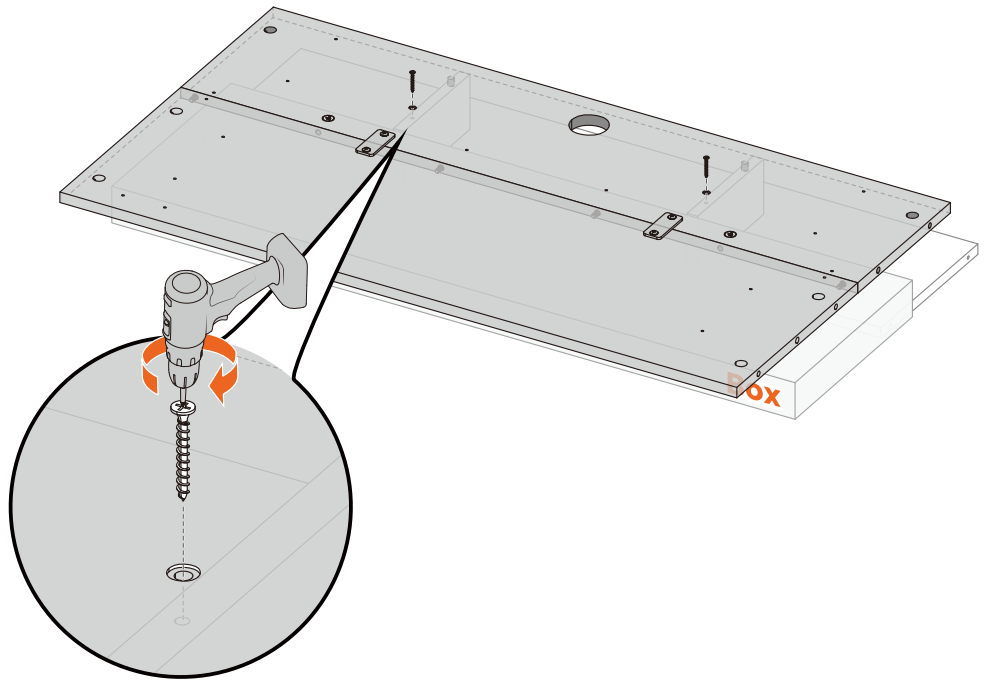
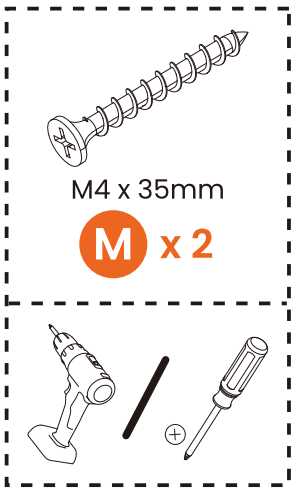
For 63" **X 4**

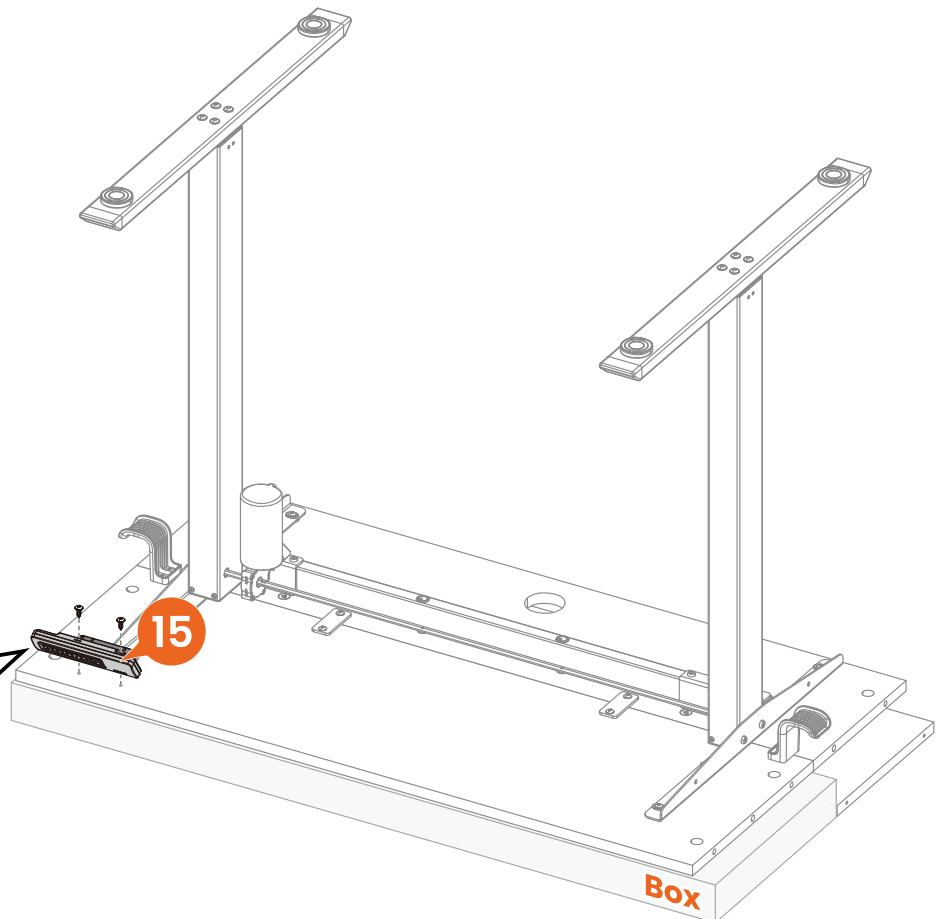
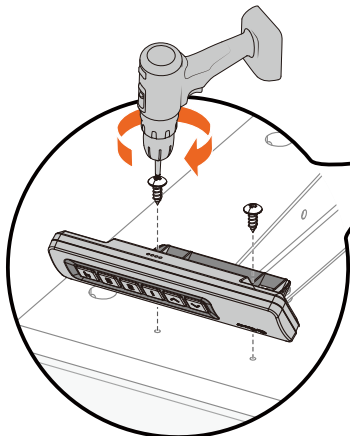
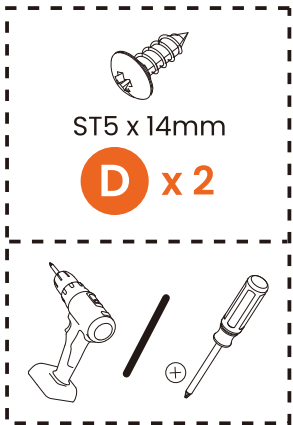
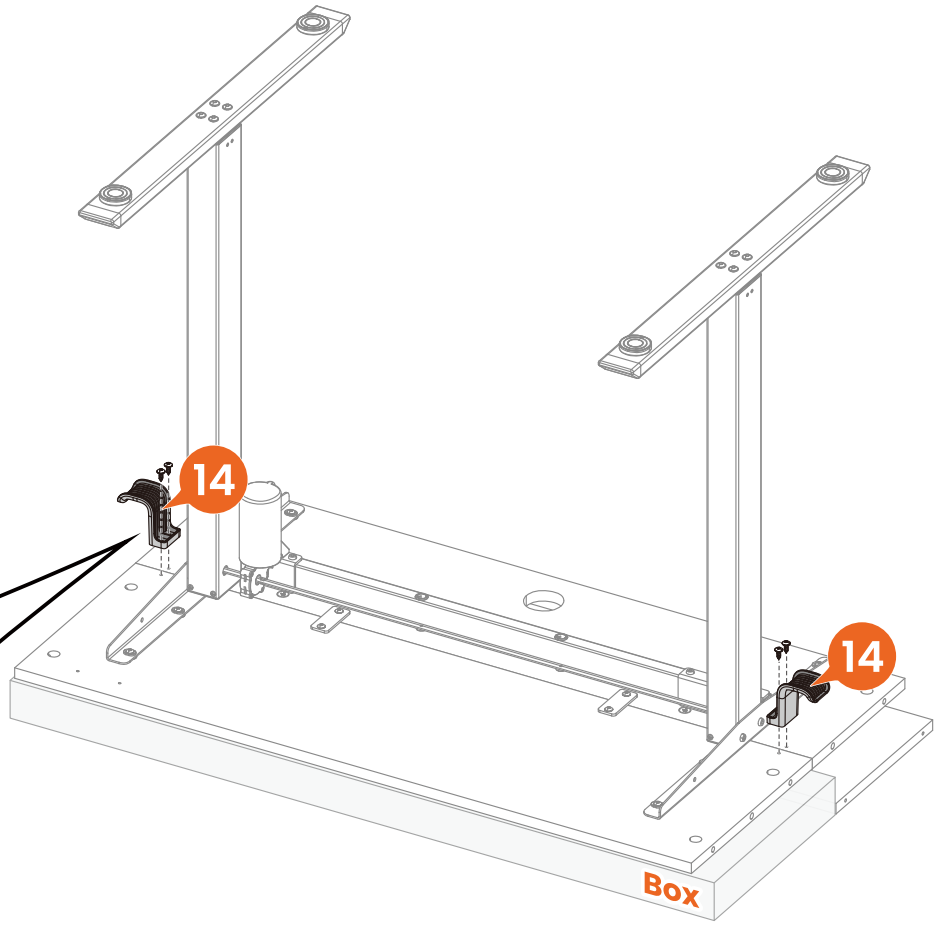
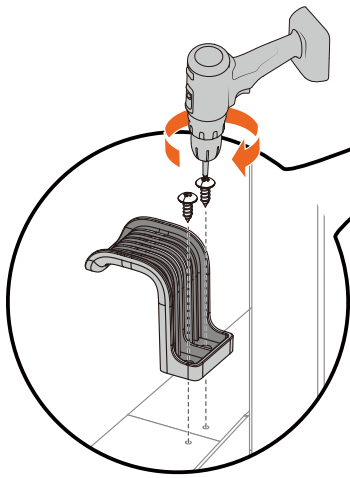
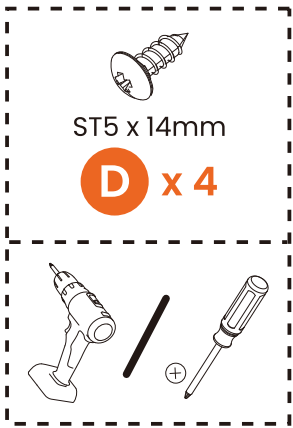
**F**



**Use a box or other items as a spacer to support the desktop before positioning.**



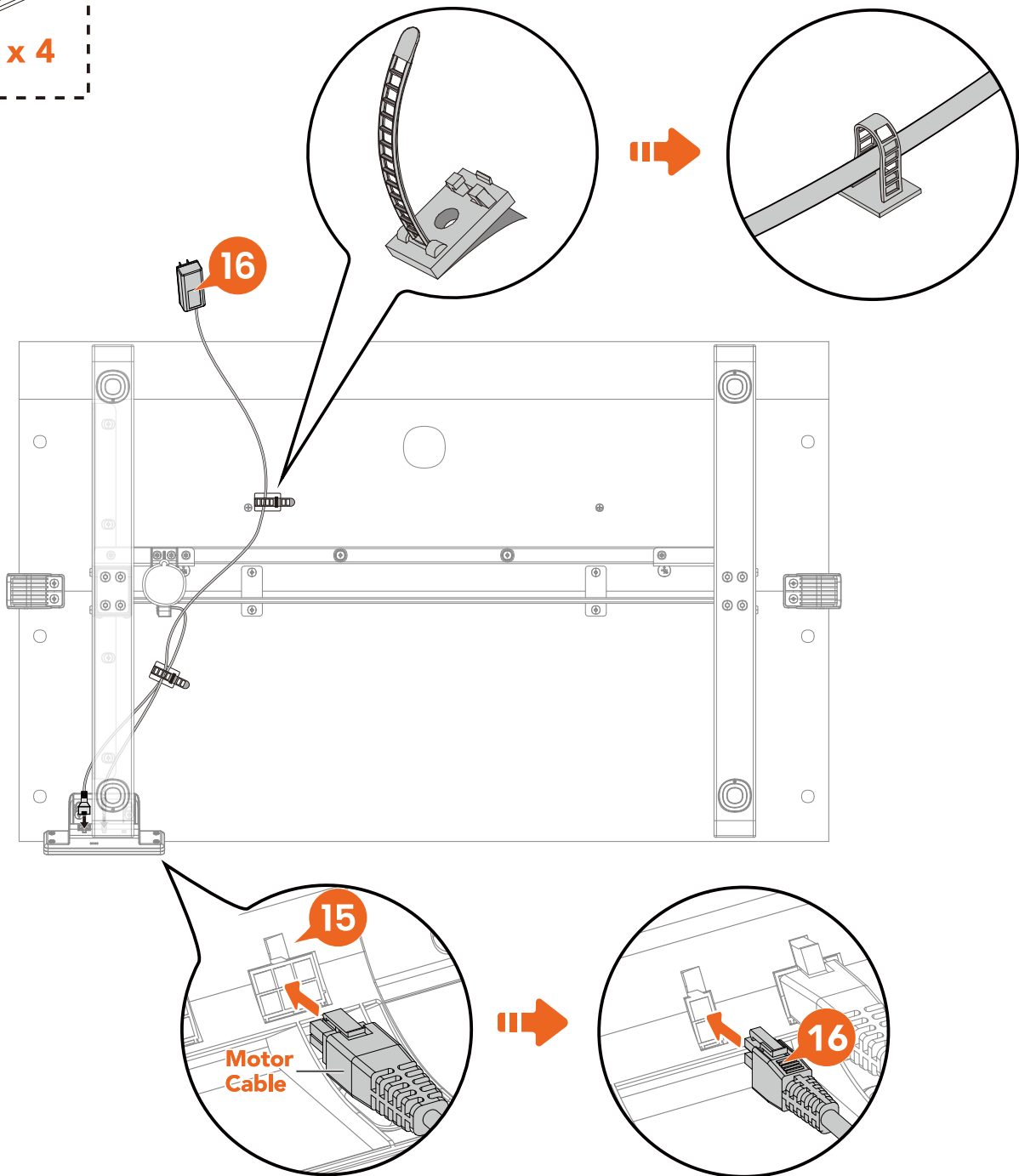
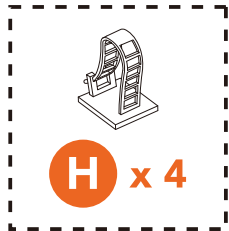




# 3

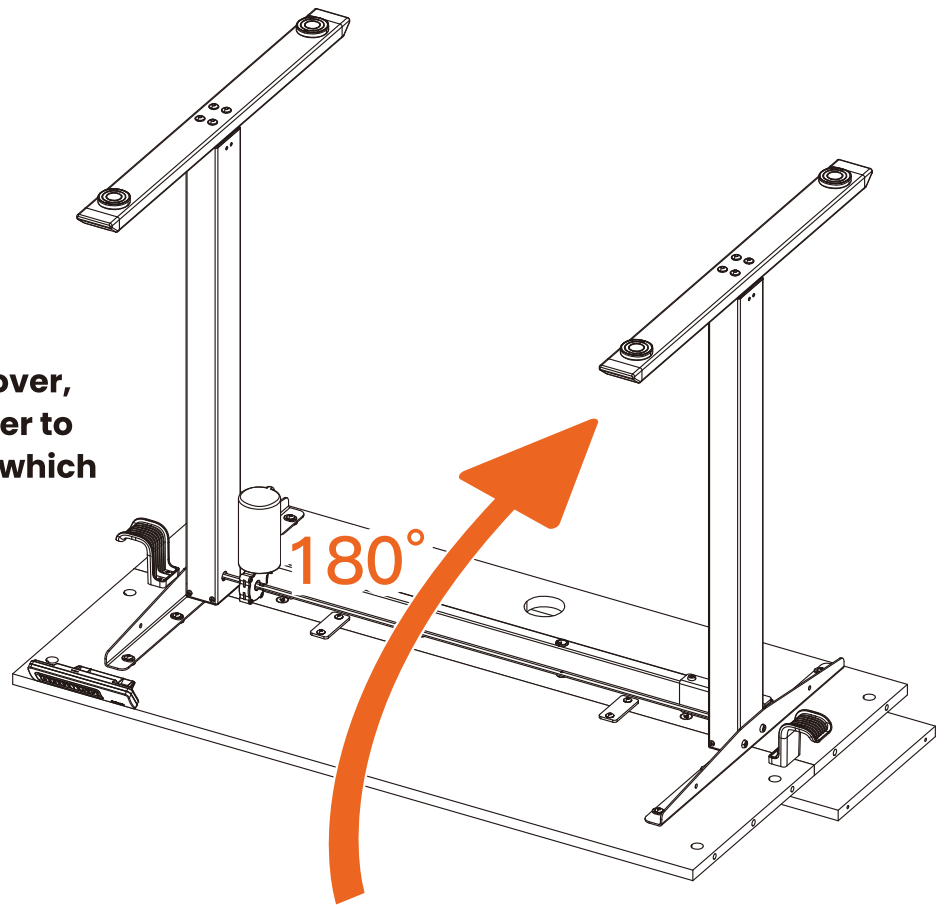
## Connecting the Cables

 An example of a cable clip layout is indicated below. However, the cable clips can be arranged according to your needs.

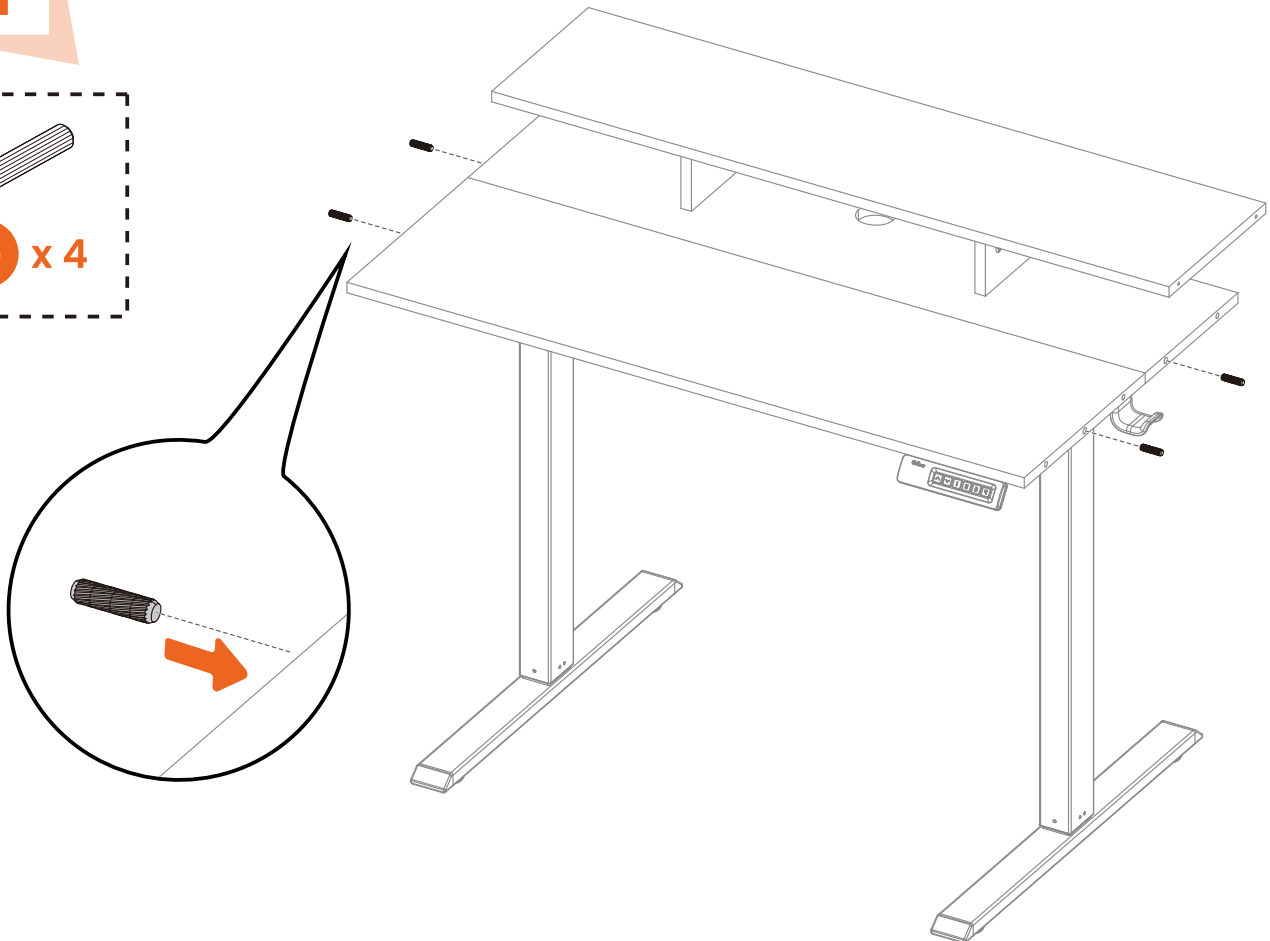


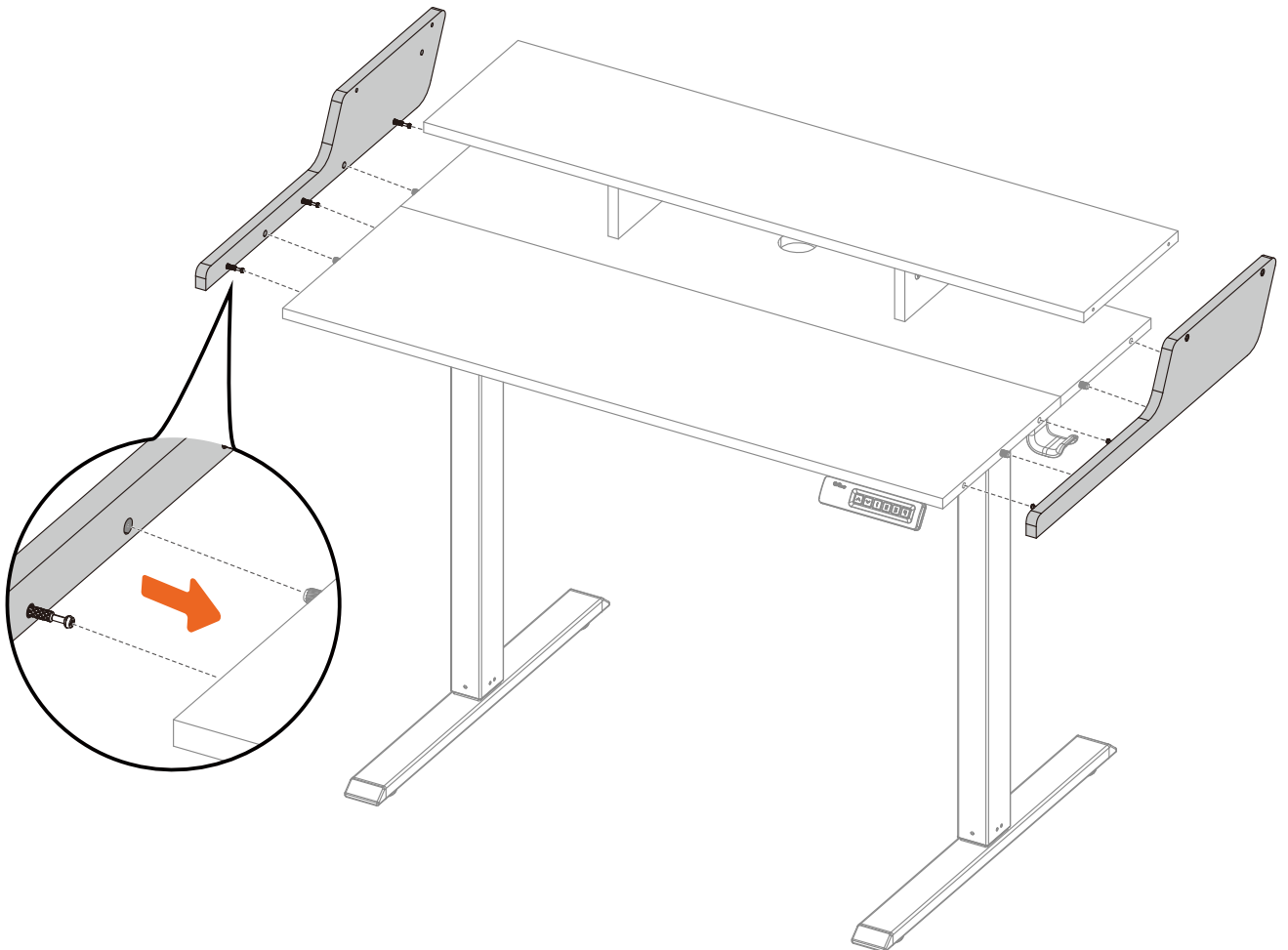
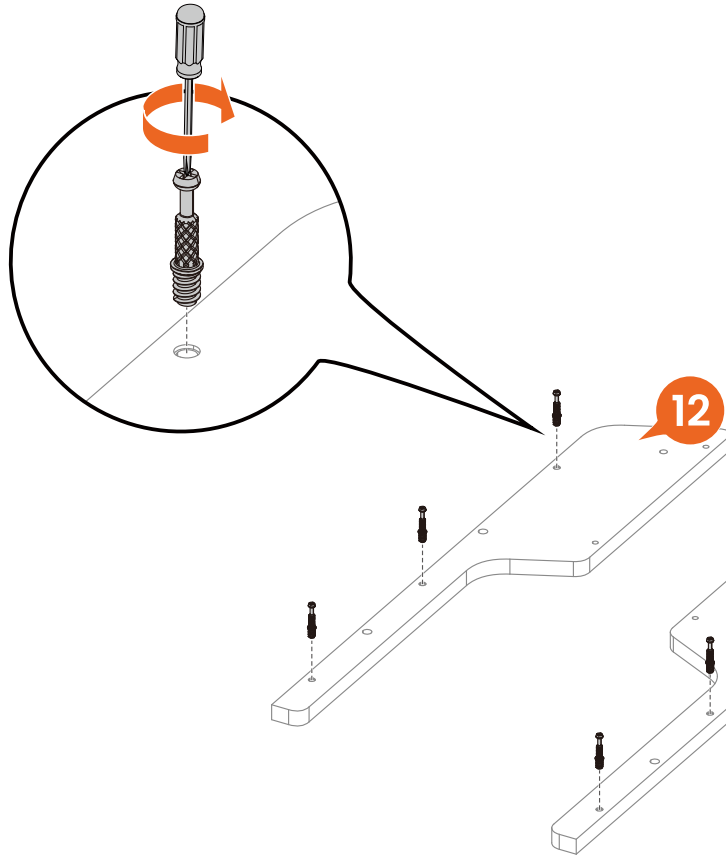
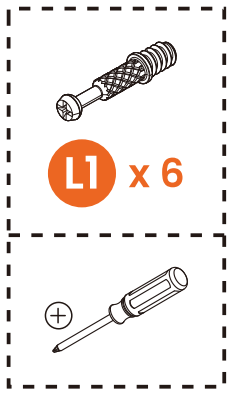


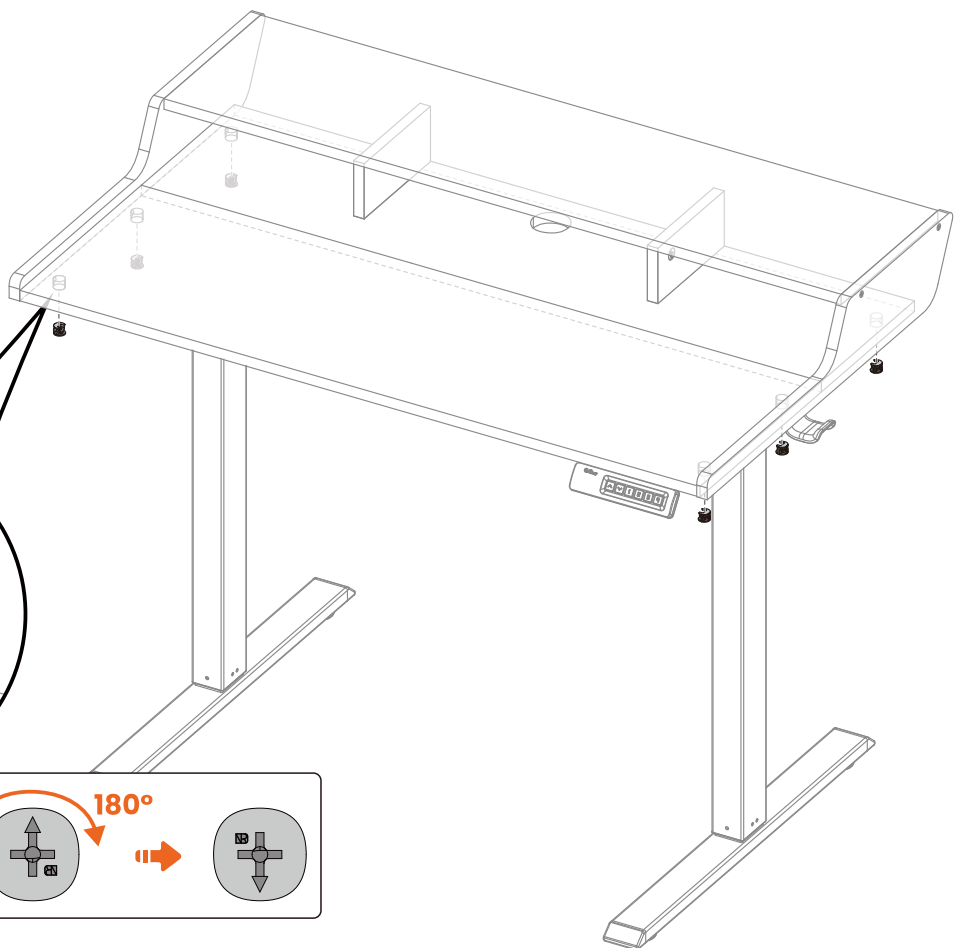
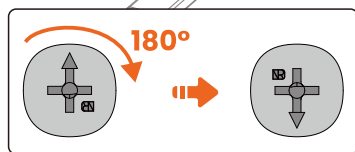
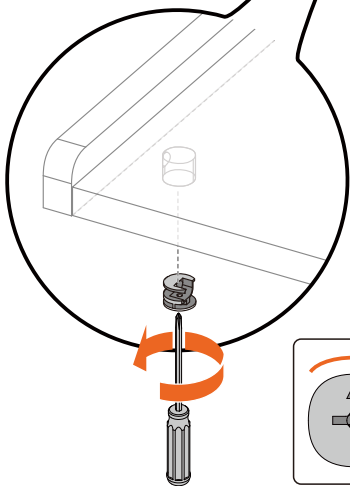
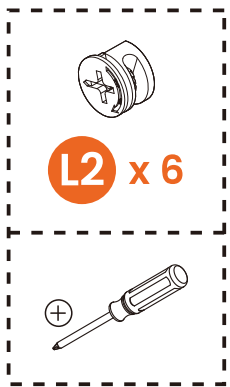
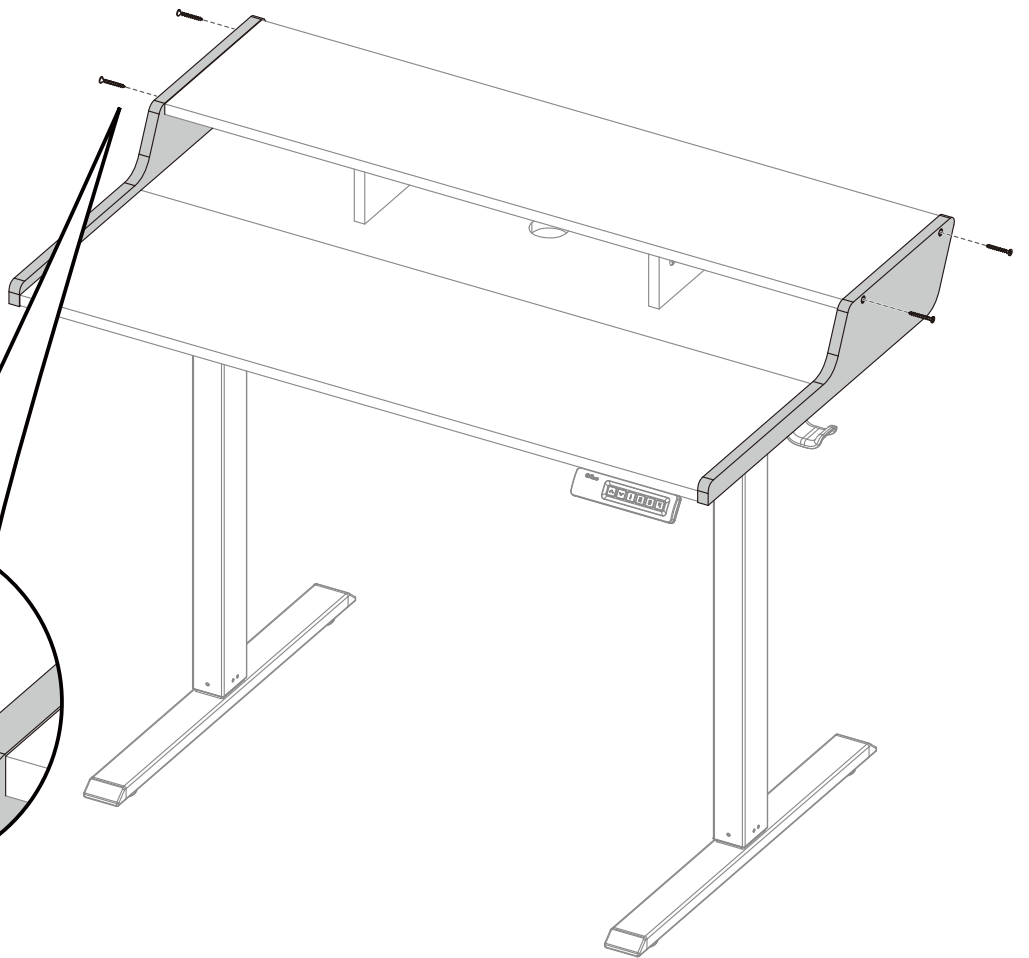
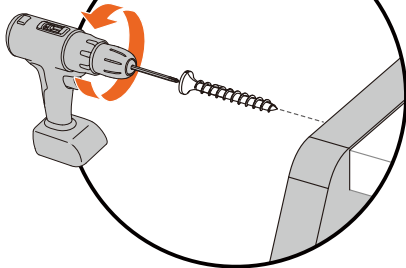
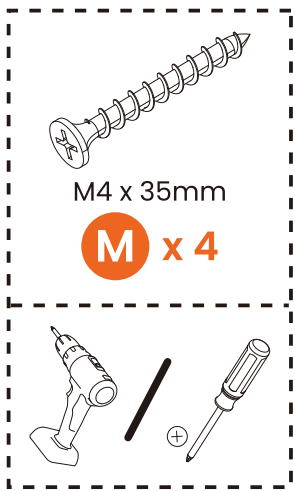
**When flipping the desk over, do not allow the controller to collide with the ground, which could cause damage.**

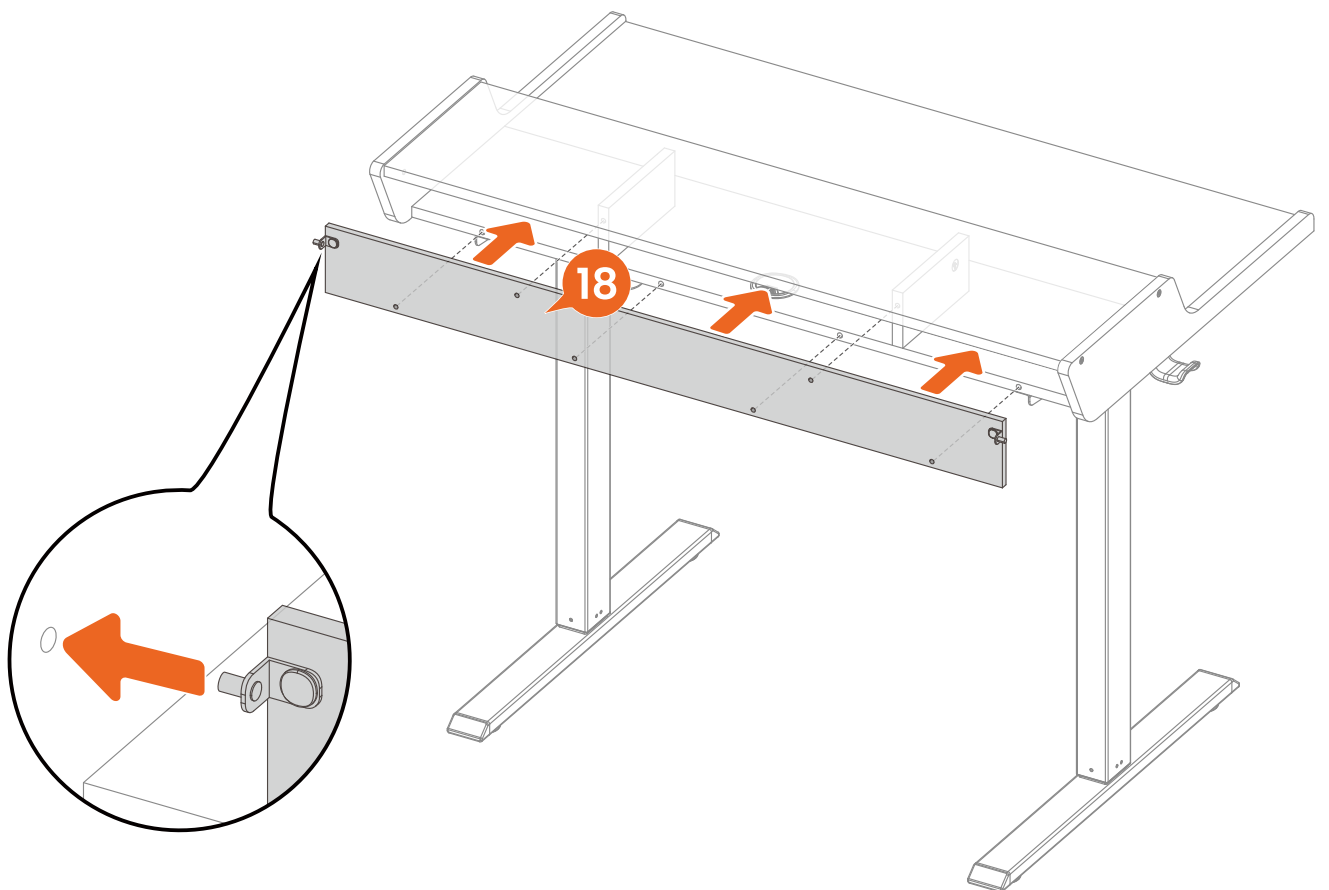
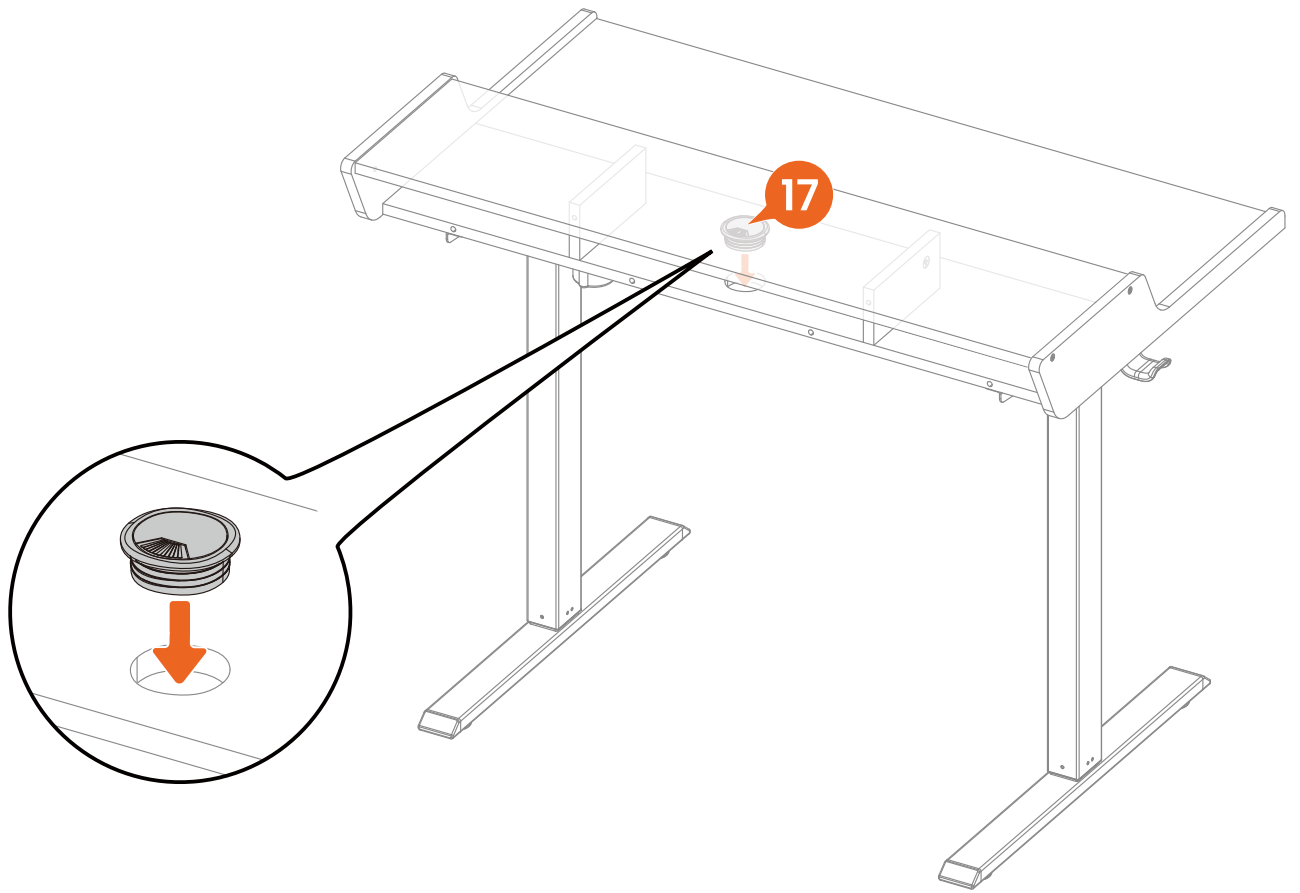


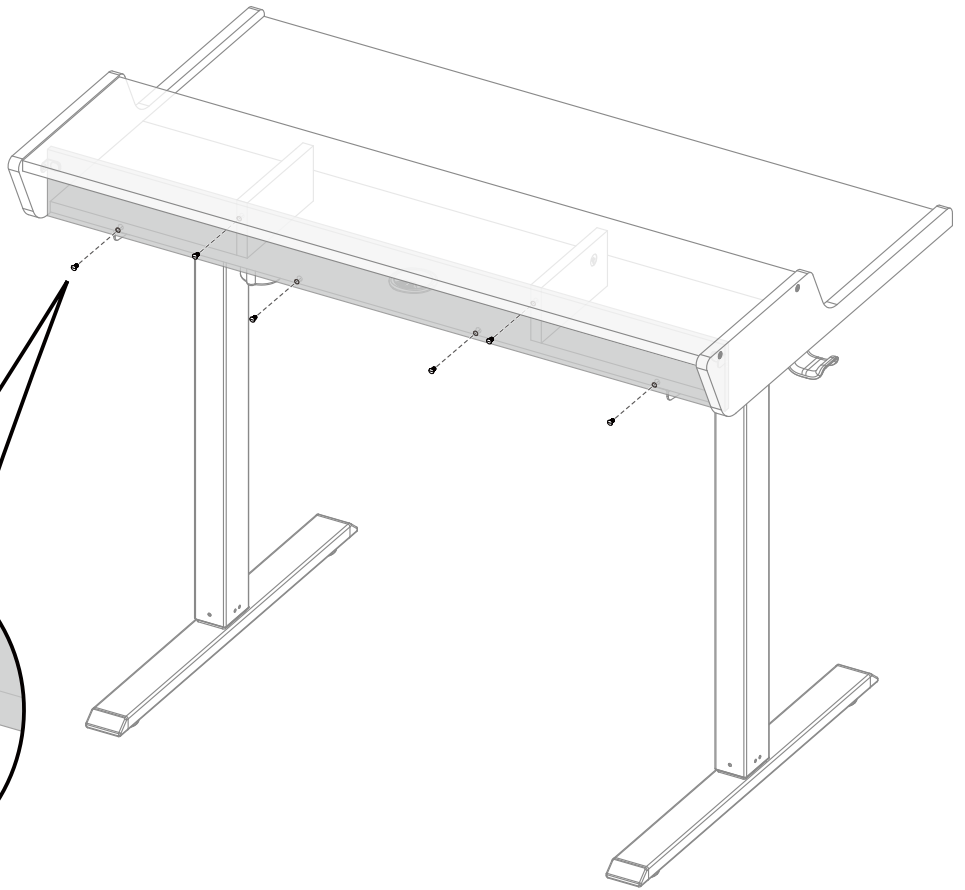
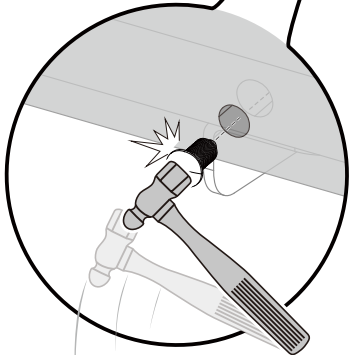
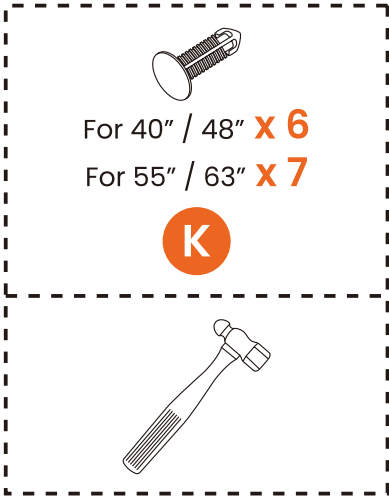
## 4 Attaching the Drawers



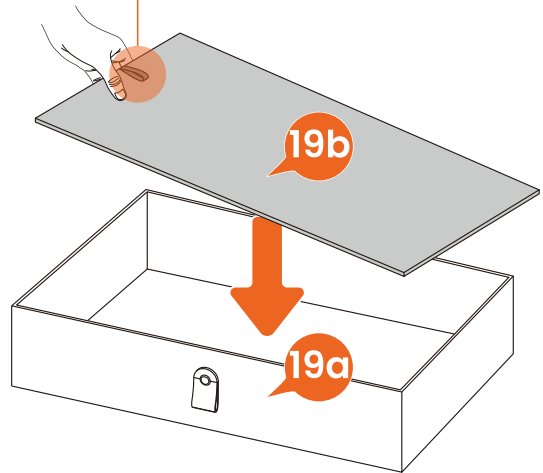
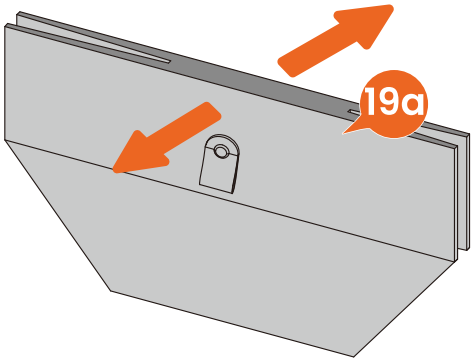
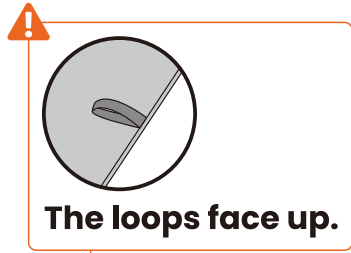


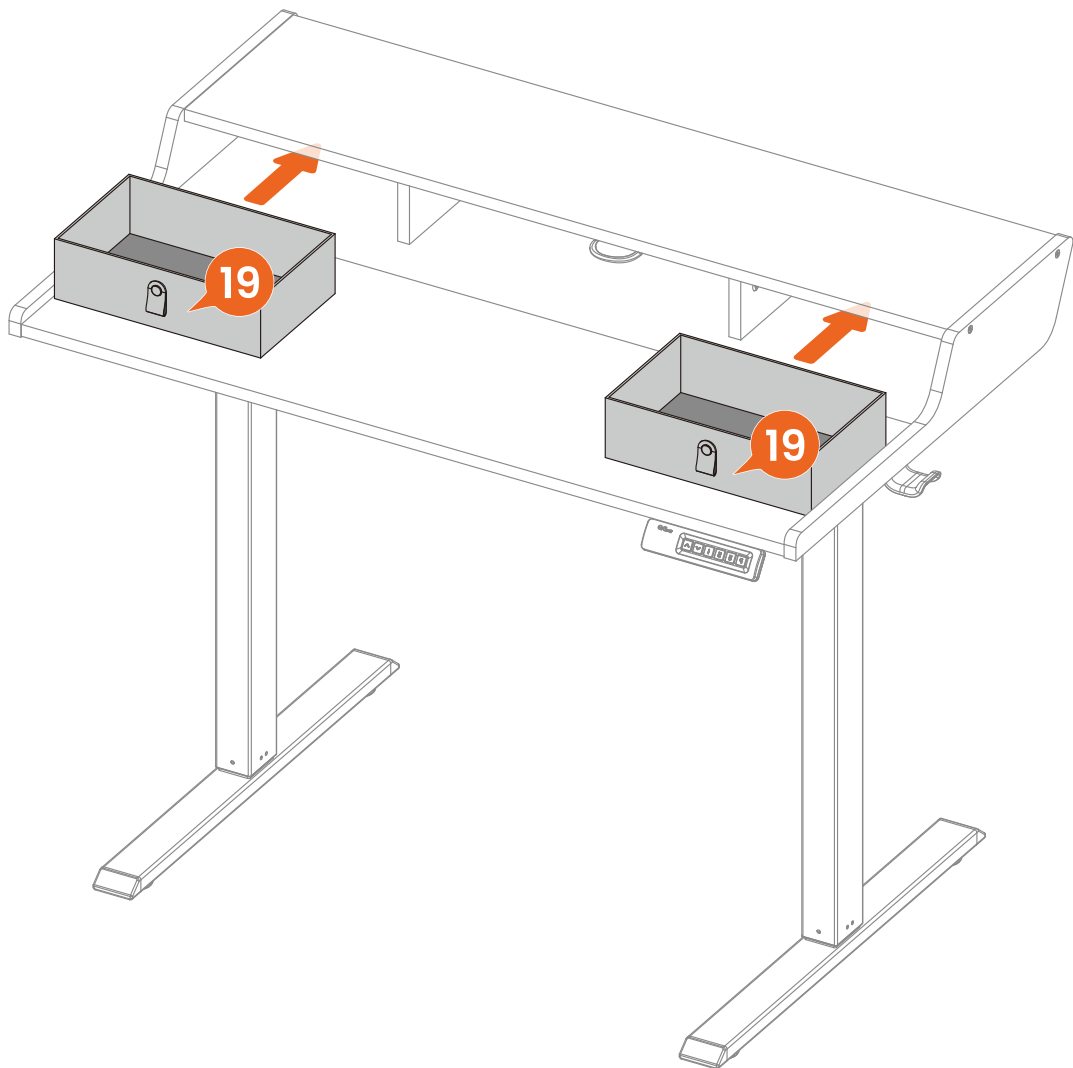




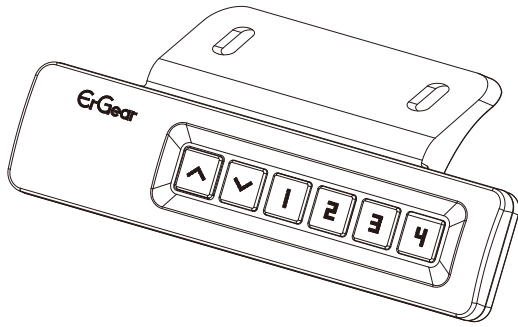


**2x**





# Using the Controller



## Reset before first use.

**Note:** Ensure there are no obstacles when using the desk, that the desktop is not too close to the wall, and that all cables are long enough for the desk to move up and down freely. When the controller screen is off (power-saving mode), press any button to wake it before operating.

Raise Desk (Max height: 46.8" / 119cm)

Lower Desk (Min height: 27.9" / 71cm)

### Save Height Settings









Four heights can be stored. Press and hold the  /  /  /  button for 3 seconds. The digital number will flash three times and the current height will be stored to that button.

### Select Height Setting

Press the  /  /  /  button. The desk will move to the height that was previously set for that button. Press any button to stop the desk.

## Settings

<p><b>Reset</b></p>	<ol style="list-style-type: none"> <li>1. Press and hold the <input type="checkbox"/> button until the desk goes down to its lowest level, then release the button.</li> <li>2. Press and hold the <input type="checkbox"/> button for 5 seconds until the screen displays 'RST,' then release the button with 'RST' flashing.</li> <li>3. Press and hold it again until the desk goes down to its lowest level and comes back up slightly. The screen will display the current height again, then reset is complete.</li> </ol> <p><b>Note:</b> It is recommended that you remove all items from the desktop before performing a reset.</p>
<p>'RST' displays as <input type="checkbox"/> on the screen.</p>	
<p><b>Lock/Unlock</b></p>	<p>Press and hold <input type="checkbox"/> and <input type="checkbox"/> buttons together for 3 seconds to turn the lock on. The screen will display 'LOC' and the buttons will be disabled. Repeat to turn the lock off.</p>
<p><b>Change Display Height Units</b></p>	<p>Press and hold <input type="checkbox"/> and <input type="checkbox"/> buttons together for 3 seconds to switch the display height unit. The default unit is imperial.</p>
<p><b>Change Collision Detection Sensitivity</b></p>	<ol style="list-style-type: none"> <li>1. Press and hold <input type="checkbox"/> and <input type="checkbox"/> buttons together for 3 seconds and 'S02' will flash on the screen. The last digit displayed is the current sensitivity level, and the value range is 0-3 (0: off; 1-3: highest to lowest).</li> <li>2. Select other levels by pressing <input type="checkbox"/> or <input type="checkbox"/> button, then press and hold <input type="checkbox"/> and <input type="checkbox"/> buttons together for 3 seconds. The digits will stop flashing and the screen will display the current height again.</li> </ol> <p><b>Note:</b> Sensitivity is preset to Normal by the factory. However, sensitivity may be adjusted if needed.</p>

<p><b>Set/Clear Lowest Limit</b></p>	<p>1. To set the lowest height limit, press and hold  and  buttons together for 3 seconds. The screen will display '-dO.' Whenever the desk reaches the lowest limit, the screen will display '-LO.'</p> <p>2. To clear the lowest height limit, move the desk down to the lowest height (screen displays '-LO'), then press  and  buttons together for 3 seconds. '-dO' will flash on the screen and the limit will be cleared.</p>
<p><b>Set/Clear Highest Limit</b></p>	<p>1. To set the highest height limit, press and hold  and  buttons together for 3 seconds. The screen will display '-UP.' Whenever the desk reaches the highest limit, the screen will display '-HI.'</p> <p>2. To clear the highest height limit, move the desk up to the highest height (screen displays '-HI'), then press  and  buttons together for 3 seconds. '-UP' will flash on the screen and the limit will be cleared.</p>

## Troubleshooting

1. Please try resetting the desk if you have any issues including the following:
  - Abnormal operation.
  - The controller screen displays 'RST' (reset).
  - The controller screen displays error message E01 – E08, but the motor cable is connected correctly.
2. If the controller screen displays 'HOT,' please wait 20 minutes for the motor to cool down before making any further height adjustment.