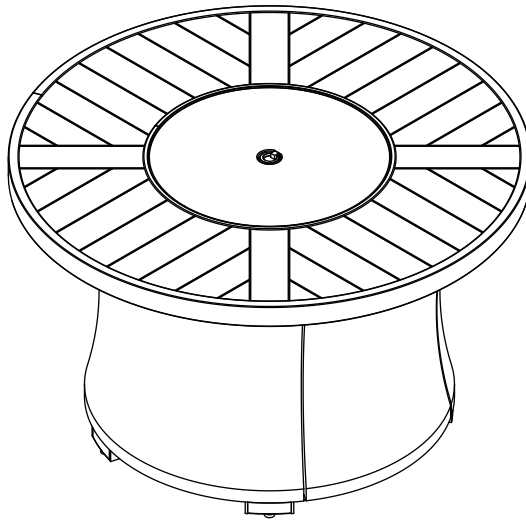


# WICKER GAS FIRE PIT

## INSTRUCTION MANUAL



### **FOR YOUR SAFETY!**

Read the instruction manual before assembling and using.

### **CONTACT FIRST!**

If you have any questions that are not addressed in this manual or you need help, please contact your local dealer or our customer service.

## FOR YOUR SAFETY

In case of any issue, call your local dealer first! **DO NOT RETURN** the furniture. This product has been made to high-quality standards. If you have questions not addressed in this instruction manual concerning assembly, operation or you need parts, consult your dealer or call our direct customer service hotline.



DANGER



### If you smell gas:

- Shut off gas supply to the appliance.
- Extinguish any open flame.
- Open the door of the cart.
- If odor remains, keep away from the appliance and immediately call your fire department.

**NOTE:** Read all instructions prior to assembly and use. **Please keep this Owner's Manual for future reference. Failure to follow the instructions in this manual could result in bodily injury and/or property damage.**



FOR YOUR SAFETY



- This appliance is for **OUTDOOR USE ONLY** and should not be used inside a building, garage, or any other enclosed space.
- **DO NOT** use the appliance unless it is completely assembled, and all parts are securely fastened and tightened.
- **DO NOT** leave a lit appliance unattended.
- **DO NOT** attempt to move the appliance while it is lit or hot.
- **DO NOT** use the appliance in high wind.
- **DO NOT** place the appliance where there are construction, foliage or combustible surfaces overhead.
- **DO NOT** sit or stand on this the surface of this appliance even it is not in use.
- **ALWAYS keep children and pets away from the appliance when in use.**
- **ALWAYS** keep away the small parts or packaging film from children to avoid suffocation, serious bodily injury or death.
- Keep the appliance at least 91 cm (36 inches) from any wall or surface at all times. Maintain at least 10 feet clearance to combustible objects that can catch fire.



### CALIFORNIA PROPOSITION 65 WARNINGS

Fuels used in gas burning appliances and the combustion byproducts of such fuels, can expose you to chemicals including carbon monoxide, which is known to the State of California to cause birth defects or other reproductive harm.

For more information, go to: [www.P65Warnings.ca.gov](http://www.P65Warnings.ca.gov)



WARNING

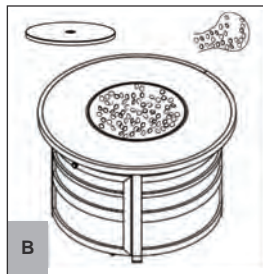
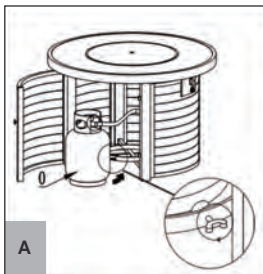


- DO NOT use gasoline, kerosene, or alcohol for lighting. Never use charcoal or lighter fluid with this appliance.
- DO NOT use in or on recreational vehicles or boats.
- DO NOT use for commercial, this appliance is for residential use only.
- DO NOT touch metal parts of the appliance until it has completely cooled (about 45 minutes) to avoid burns, unless you are wearing protective gear (oven mitts, potholders, etc.).
- DO NOT alter the appliance in any manner. Alteration of appliance and use of non-manufacturer approved parts or accessories can directly void the warranty.
- DO NOT use in the presence of gases or vapors. Keep the area clear and free from combustible materials, gasoline, and other flammable vapors and liquids.
- Clean and inspect the hose before each use. If there is evidence of abrasion, wear, cuts, or leaks, the hose must be replaced before operating the appliance. The replacement hose assembly must be as per the manufacturer specifications specified by the manufacturer.
- Move the gas hose as far away as possible from hot surfaces.
- Keep the appliance's valve compartment, burners, and circulating air passages clean. Inspect the appliance before each use.
- Keep the ventilation openings of the cylinder enclosure free and clear from debris.
- Always place your appliance on a hard and level surface far away from combustibles.
- The consumption of alcohol, prescription, or non-prescription drugs may impair the operators' ability to properly assemble or safely operate the appliance.

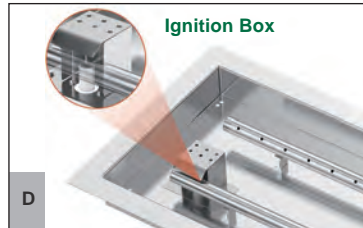
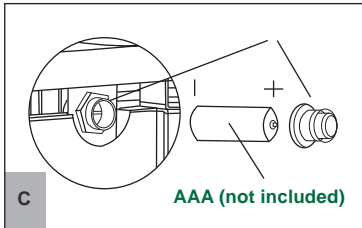
## INSTRUCTIONS FOR USE

Follow the instructions carefully to avoid seriously damaging your appliance and causing injury to yourself and property. The appliance is meant for use with **propane gas ONLY**, usually connected with a 20 lb. propane gas cylinder (not included). Assemble the appliance as per the assembly instructions carefully.

1. Make sure LP cylinder is OFF by turning the hand wheel clockwise until it stops. And turn the control knob to the OFF position as well.
2. Connect LP cylinder to the appliance(LP cylinder not included) and lock LP cylinder into the nest by the screw as shown in **Table A**.
3. Take away the lid and evenly pour the fire glass beads into the fire pit pan as shown in **Table B**.



4. Unscrew the ignitor cap and insert a AAA battery, then screw back the cap shown in **Table C**.



\* ALL PICTURES SHOWN ARE FOR ILLUSTRATION PURPOSE ONLY, THE ACTUAL PRODUCT SHOULD PREVAIL.



- Do Not cover the ignition box with any fire glass beads at all time as shown in **Table D**.
- Do Not ignite the appliance without fire glass beads or rocks in the pan.
- Do Not ignite the appliance when the fire glass beads or rocks are wet.
- For the initial use each time, stay away from the appliance for 20 minutes as the fire glasses may pop out during the heating process.

## LP GAS AND CYLINDER INFORMATION

LP (Liquified Petroleum) Gas is odorless, colorless, and non-toxic when produced. It is flammable, explosive under pressure, heavier than air, settles in pools and low areas. You can smell LP gas as it has been given an odor similar to rotten eggs for your safety. LP cylinder used with your appliance must have two features:

1. An OPD (Overfill Protection Device) that prevents accidental gas leaks caused by overfilling of the cylinder. Each cylinder contains a float that closes the input valve when the cylinder is 80% full. This allows room for the propane gas to expand in hot temperatures. A triangular hand wheel distinguishes this type of cylinder.
2. An QCC1 Type1 Quick Connect Valve that provides fast cylinder hook-ups and requires only to be tightened by hand.



Liquid propane gas is flammable and hazardous if handled improperly. Contact with propane can cause freeze burns to the skin. A frosty cylinder valve indicates possible gas overfill. Close LP valve and call your LP dealer immediately.

- Do Not connect this appliance to an existing #510 POL cylinder valve with left-hand threads. The Type 1 valve can be identified by the large external threads on the valve outlet.
- Do Not connect to a cylinder that uses any other type of valve connection device.
- Do Not store or use gasoline or other flammable liquids or vapors in the vicinity of this or any other appliance.
- Never use a propane cylinder with a damaged body, valve, collar, or footing.

The installation must conform with local codes or, in the absence of local codes, with either the National Fuel Gas Code, ANSI Z223.1/NFPA 54; Natural Gas and Propane Installation Code, CSA B149.1; or Propane Storage and Handling Code, B149.2, as applicable.

The appliance and its appliance main gas valve must be disconnected from the gas supply piping system during any pressure testing of that system at test pressures in excess of 1/2 psi (3.5kPa).

### The Cylinder Must Also Be Equipped with:

1. A shut-off valve terminating in a Type 1 gas cylinder valve outlet
2. A Type 1 valve that prevents gas flow until a positive seal is made
3. A collar to protect the cylinder shut-off valve
4. A safety relief device that is directly linked with the vapor space of the cylinder

### Transportation and Storage

1. LP cylinder must include a collar to protect the gas supply valve.
2. Do not store a spare LP cylinder under or near the appliance.
3. Never fill LP cylinder beyond 80% capacity.
4. If warnings 2 and 3 above are not heeded exactly, a fire causing death or serious injury may occur.
5. Always transport in an upright position. Never keep a filled LP gas cylinder in a hot car or truck. Heat may cause the gas pressure to increase, which may cause the relief valve to open and allow the gas to escape.
6. Do not smoke when transporting your LP cylinder.
7. Place a dust cap on the cylinder gas valve outlet whenever the cylinder is not in use. Use only the type of dust cap that is provided with the cylinder valve when purchased. Other types of caps or plugs may result in leakage of propane.

### LP Cylinder Leak Test

1. Leak test must be repeated each time LP cylinder is exchanged or refilled.
2. DO NOT smoke or have anything nearby that can easily ignite, such as lighters or matches.
3. DO NOT use an open flame to check for gas leaks.
4. The appliance must be leak-checked outdoors in a well-ventilated area away from open flames or sparks.
5. REMOVE any pots or other cookware from the burner before beginning the test.

### Steps for Leak Test:

Use a clean paintbrush and 50/50 soap and water solution.

**NOTE:** Do not use household cleaning agents, which could damage the gas component.

1. Turn burner control knob, regulator and cylinder valves OFF.
2. Be sure the regulator is tightly connected to LP the appliance.

3. Completely open LP cylinder valve by turning the hand wheel counterclockwise. If you hear a rushing sound, turn the gas off immediately. There is a major leak at the connection. Correct before proceeding.
4. Brush the soapy solution onto all metal seams and the entire valve area.
5. Slowly turn LP cylinder valve counterclockwise to the open position.
6. A leak is identified by a flow of bubbles from the area of the leak. Close LP cylinder valve immediately and retighten connections.
7. If leaks cannot be stopped, do not try to repair them, contact your dealer for assistance. Do not attempt to operate the appliance if a leak is present.
8. Always examine the hose for any damage. If damage is observed, do not attempt to patch the hose. Replacing the hose is the only safe option.
9. For assistance with any malfunction related to LP cylinder, regulator or hose, contact customer service.
10. Always close LP cylinder valve after performing the leak test by turning the hand wheel clockwise.

**UNDER NO CIRCUMSTANCE SHOULD THE VALVE REMAIN IN THE ON POSITION FOR MORE THAN 12 SECONDS.**

## LIGHTING THE BURNER USING ELECTRONIC IGNITION

1. Open the lid before lighting.
  2. Turn the control knob to OFF position.
  3. Turn the gas supply on at LP cylinder valve or the regulator.
  4. Push the control knob and turn it anti-clockwise to the HI position. Push and hold the ignitor button to light the burner.
  5. If the burner does not ignite, turn the control knob to OFF position, and wait for 5 minutes before attempting to relight the burner.
  6. If the burner ignites, turn the control knob to the temperature setting required.
- \* Should the burner still fail to ignite, check the gas supply.**

## TURNING OFF YOUR APPLIANCE

1. Turn off the gas supply at LP cylinder by turning the valve clockwise to a full stop.
2. Turn the burner control knob to OFF position.

## TROUBLESHOOTING GUIDE

Problem	Cause	Solution
Heating unit won't light	Ignitor pin and burner are wet	Dry off with a soft cloth.
	Ignitor battery is incorrectly inserted	Check which direction the battery is inserted.
	Ignitor pin is broken	Contact after-sale service for a replacement part.
	Electrode wire is loose or disconnected	Reconnect wire to the ignitor box located inside the table behind the ignitor box.
	Electrode wire is shorting between valve and ignitor pin	Contact after-sale service for a replacement part.
Burner won't light while using a match	No gas flow	Check that the gas cylinder isn't empty.
	Regulator isn't connected securely to the gas cylinder	Tighten regulator connection to the gas cylinder.
	Gas flow is obstructed	Check all hoses for kinks and bends.
	Burner ports are clogged	<ol style="list-style-type: none"> <li>1. Turn all gas flow connections off.</li> <li>2. Insert an opened paperclip (or similar item) into each of the burner ports to clear them out.</li> </ol>
Heating unit emits a lot of black smoke	Flame is obstructed at burner ports	Check that all burner ports are free of any small pieces of fire glass beads, rocks, lava rocks, ect.
	Regulator hose is kinked	Straighten hose of all bends or kinks.
Sudden drop in gas flow	No gas flow	Check that the gas cylinder isn't empty.
	Excess flow safety valve has been activated	<ol style="list-style-type: none"> <li>1. Turn control knob to the 'off' position.</li> <li>2. Turn the cylinder valve clockwise to stop and disconnect cylinder from the appliance.</li> <li>3. Turn control knob to 'high' position and wait for 1 minute.</li> <li>4. Turn the control knob back to the 'off' position.</li> <li>5. Reconnect appliance to gas cylinder.</li> <li>6. Follow the lighting instructions.</li> </ol>
Flame blows out easily	High or gusting winds	Turn control knob to 'high' position.
	No gas flow	Check that the gas cylinder isn't empty.
	Excess flow safety valve has been activated	See 'sudden drop in gas flow' above.

3. Spray the solution on the dirty area.
4. Use a soft and dry cloth or a sponge to clean the surface.
5. Rinse with clean water and allow the furniture air-dry completely before replacing cushions.
6. Tighten up bolts, nuts, and nut caps after using them for a while.

## Slides (for the products with slides design)

The slides refer to the hardware connecting parts fixed in the cabinet body of the fire pit table to extend smoothly and close quietly. Our slides are made with an all-steel construction with high precision hardened steel ball bearings. Slides are zinc plated for corrosion resistance under proper care. Therefore, we recommend keeping the fire pit table in a dry environment to extend the service life of the slides.

How to maintain the slides?

1. Keep it dry.
2. Mix baking soda and vinegar to remove the spots.
3. Clean with tissue softly.
4. Grease the slides if necessary.



• Do not expose it in a wet environment.

• Do keep dust and moisture away.

## Storage

1. Clean your appliance before storage.
2. Store at a cool dry place either outdoors or indoors, but make sure to disconnect and remove LP cylinder from the appliance.
3. A cover is highly recommended to protect your appliance (purchase separately from any online shops ).
4. Perform a Leak Test before using the appliance after it has been kept in storage

## CUSTOMER SERVICE AND WARRANTY

Patio Time appreciates your trust and purchase for supporting your home decorating plan. Our customer service department is available, to replace damaged or missing parts. To help expedite our service, please have these assembly instructions readily available along with your original order receipt. For warranty terms and conditions, please read through the Warranty Card accompanied in the packaging box.