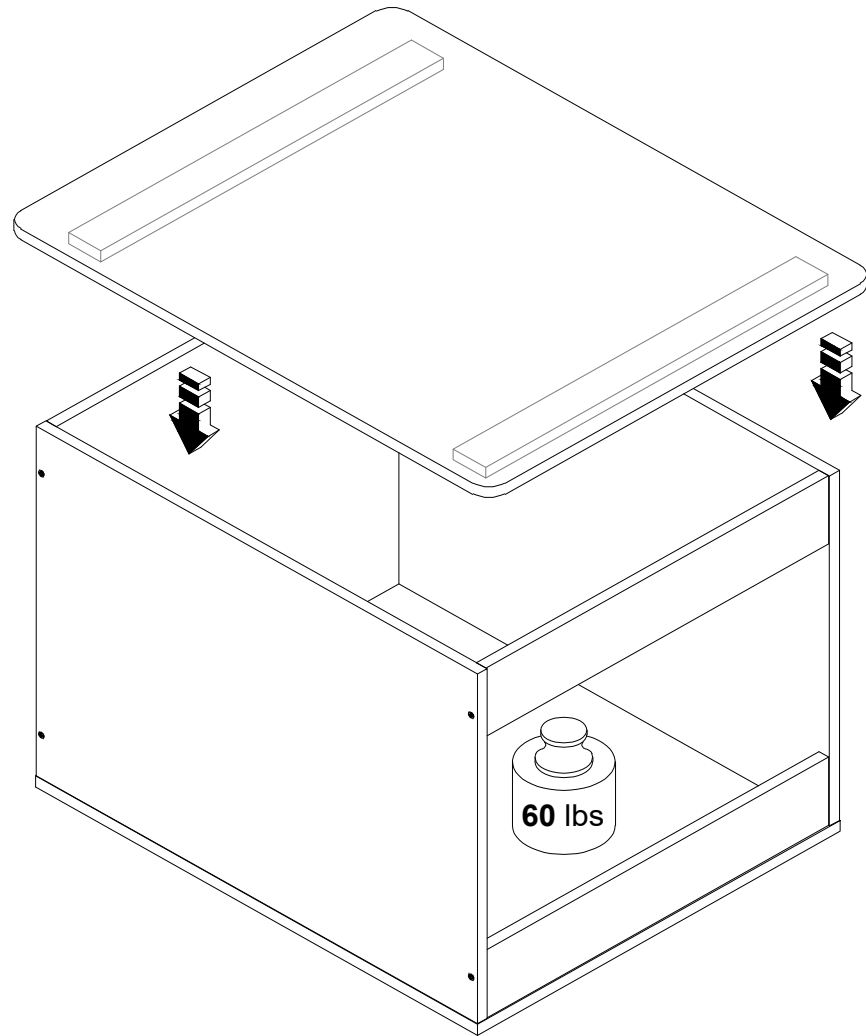


Recommended Maximum Weight



WARNING:

>This unit has been designed to support the maximum loads shown. Exceeding these load limits could cause sagging, instability, product collapse, and/or serious injury.

>DO NOT allow children to climb on unit.

> Put heavier items on lower shelves.

Assembly Instruction

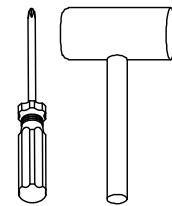
Peli Top Opening Litter Box
Enclosure

00:25

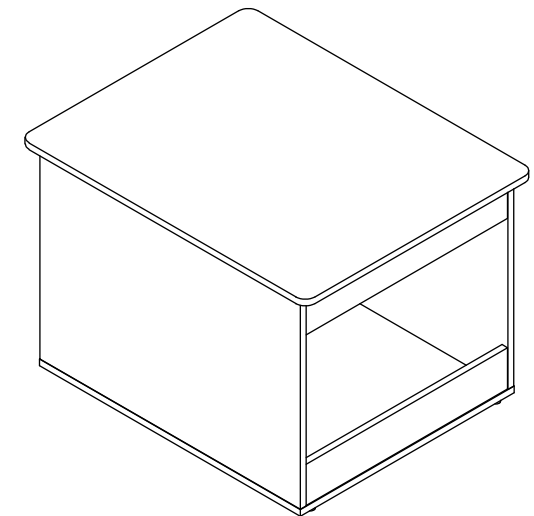
Approx. 25 minutes







Recomm. 1 Person



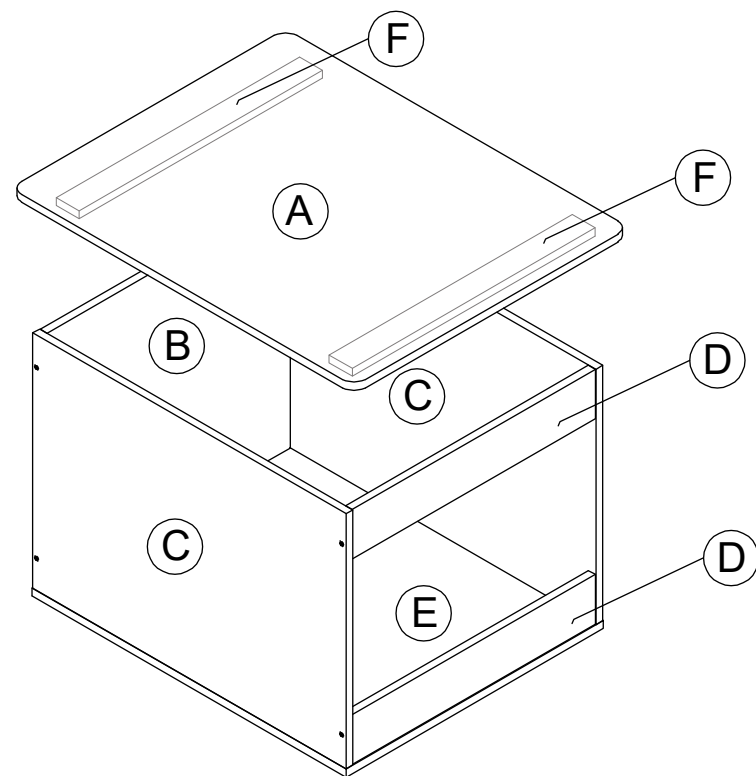
Tools Required



HARDWARE & PARTS LIST

NO	HARDWARE LIST	QTY
1	SCREW 	12pcs
2	DOWEL 	8pcs
3	TAPPING SCREW 	4pcs
4	NAIL LEG 	4pcs

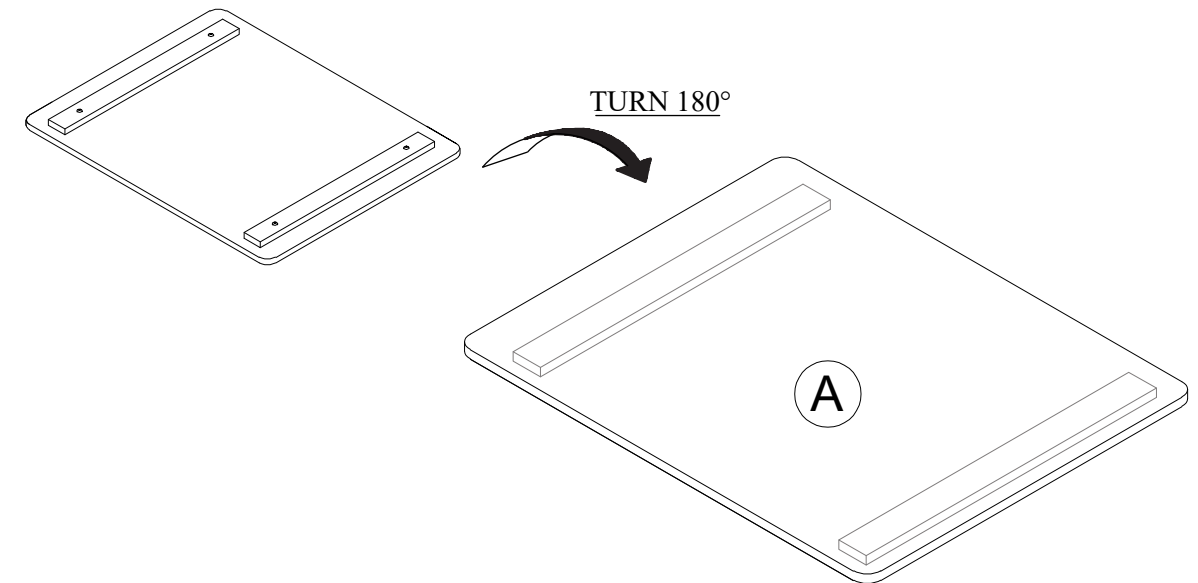
NO	PARTS LIST	QTY
A	TOP PANEL	1pc
B	SIDE PANEL	1pc
C	FRONT / BACK PANEL	2pcs
D	SMALL SIDE PANEL	2pcs
E	BOTTOM PANEL	1pc
F	FIXED PANEL	2pcs



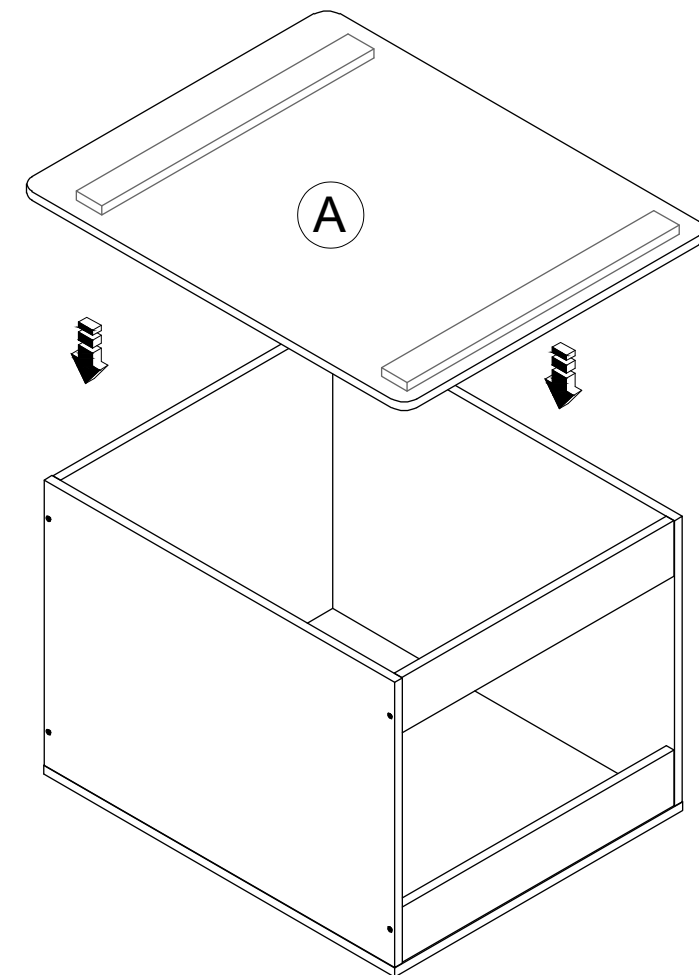
USEFUL HINTS BEFORE YOU START:

1. Read each step carefully before starting.
2. It is important that each step is performed in correct order to avoid difficulties.
3. Identify, sort and count the parts before assembly.
4. Assemble your furniture on packaging cardboard to prevent scratch or damage.
5. Clean the product with mild cleanser using soft dampened cloth. Do not use harsh or abrasive cleanser.
6. Using incompatible hardware might cause damage to product.

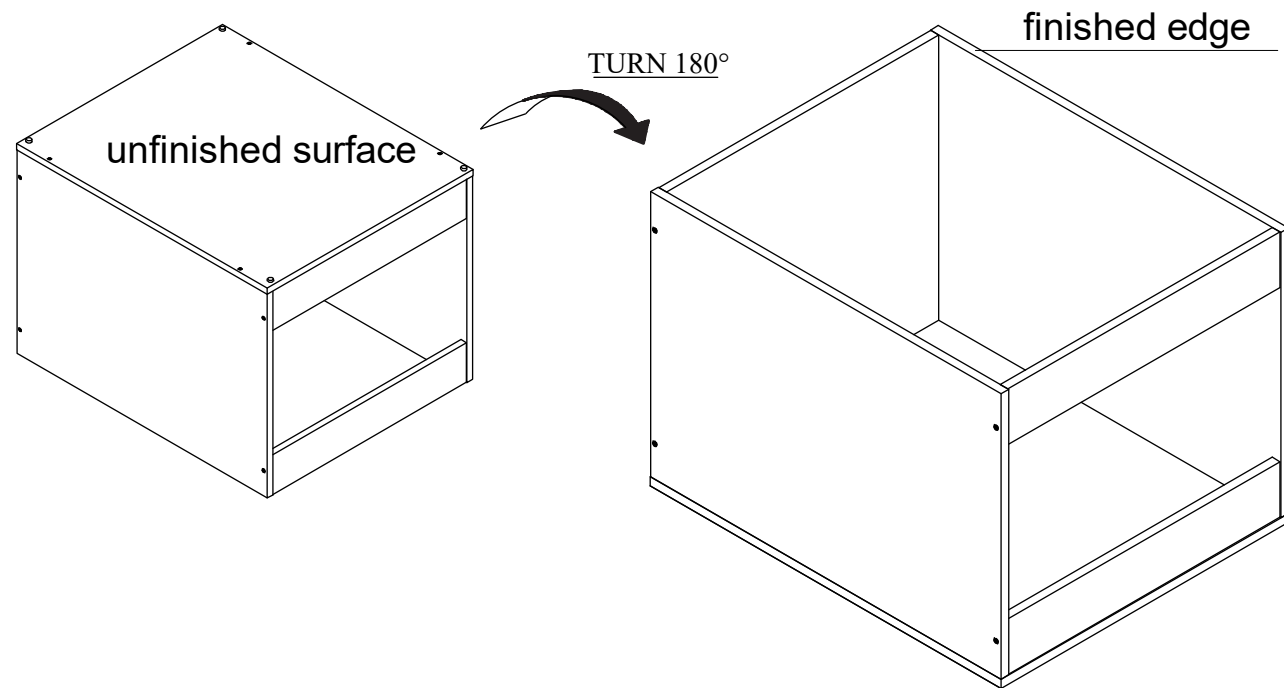
STEP 9



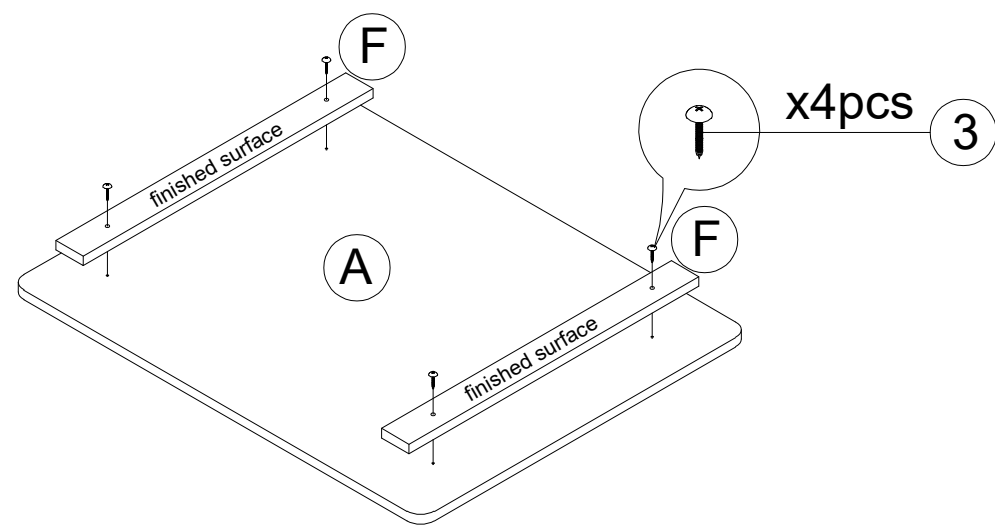
STEP 10



STEP 7



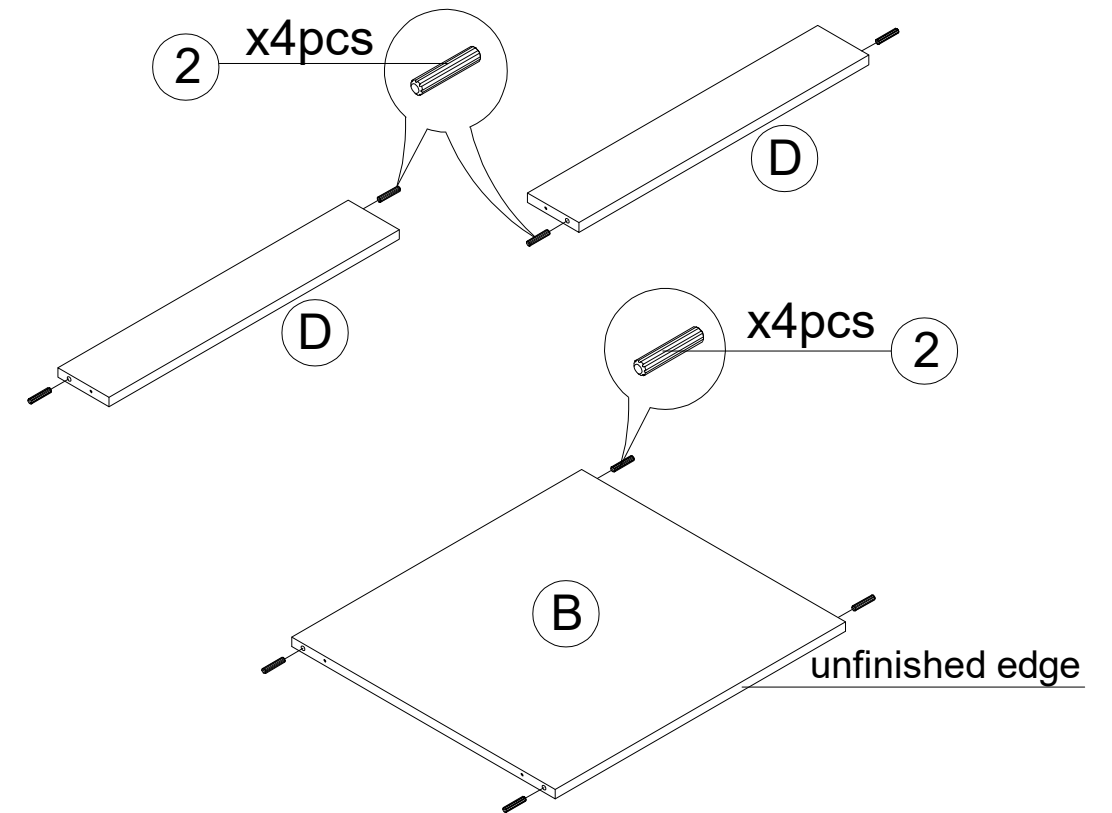
STEP 8



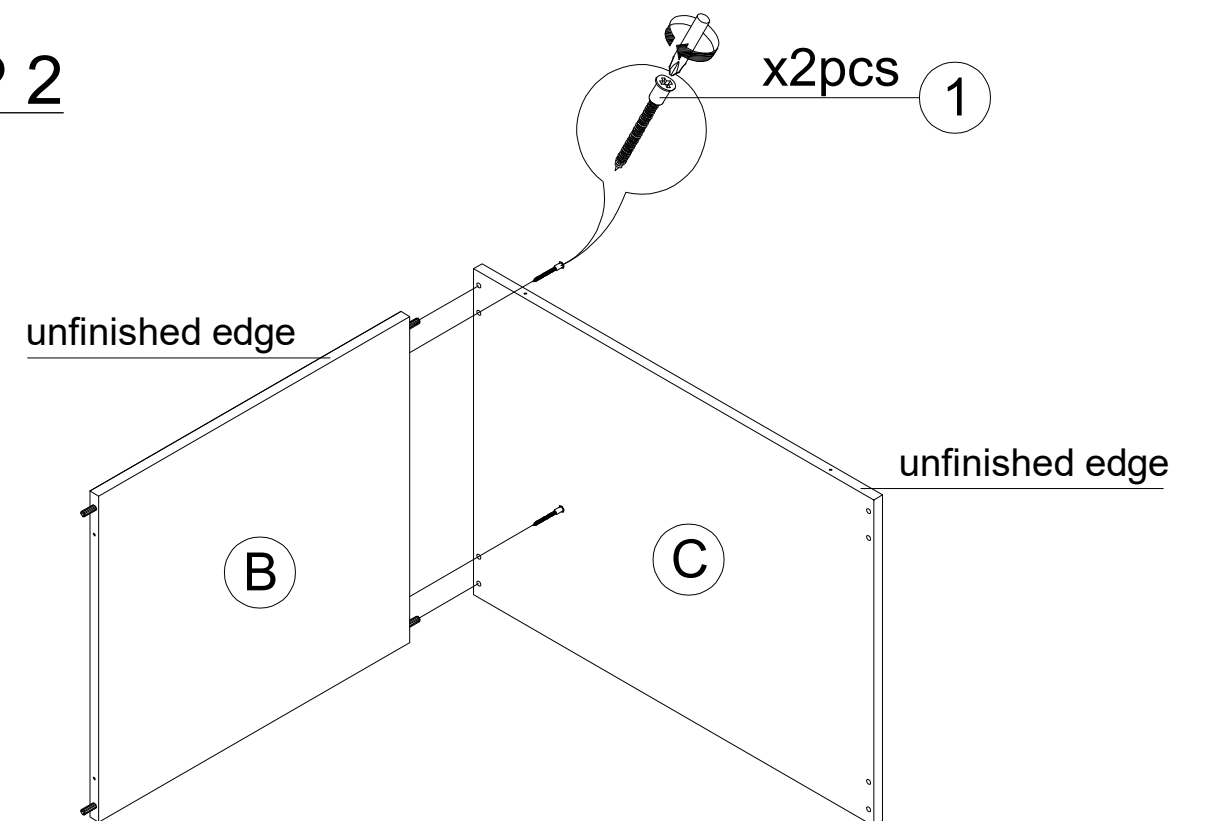
ASSEMBLY INSTRUCTIONS

BEFORE YOU BEGIN, PLEASE READ ASSEMBLY INSTRUCTIONS CAREFULLY, FOLLOW THEM STEP BY STEP.

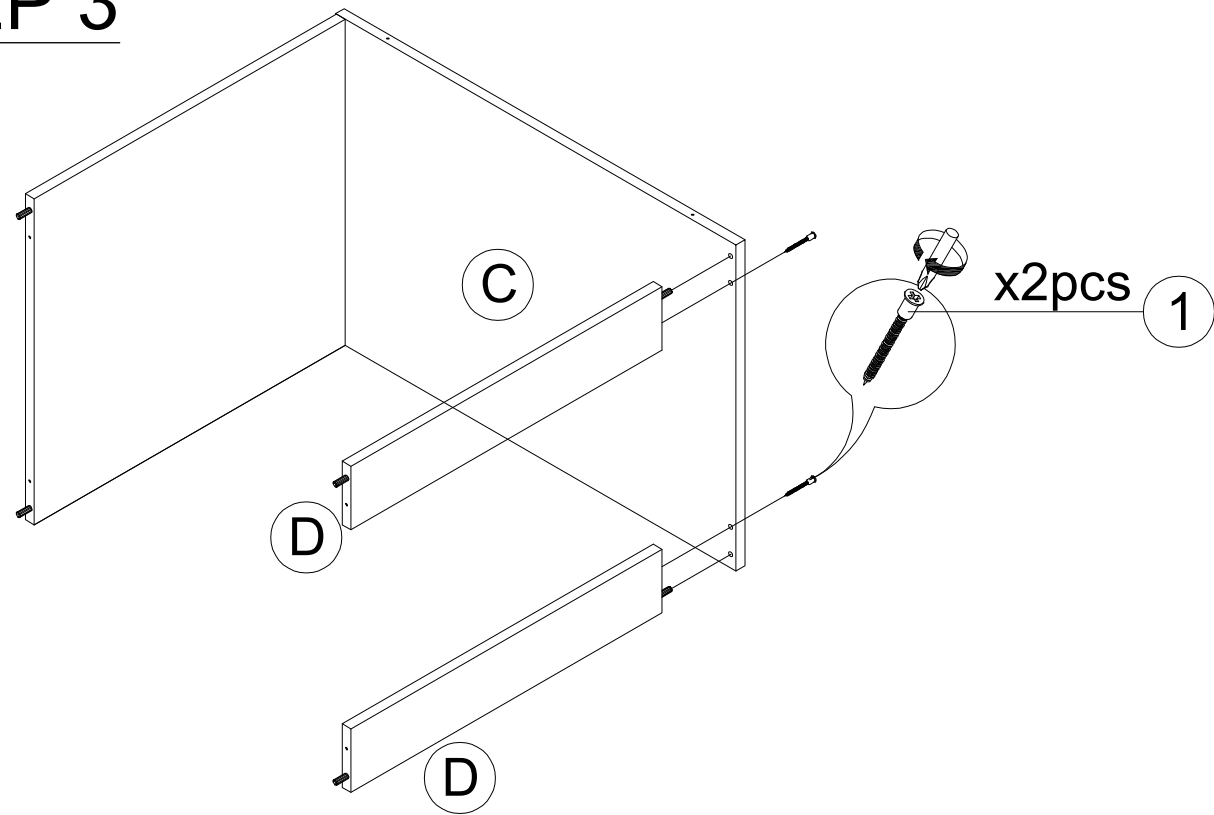
STEP 1



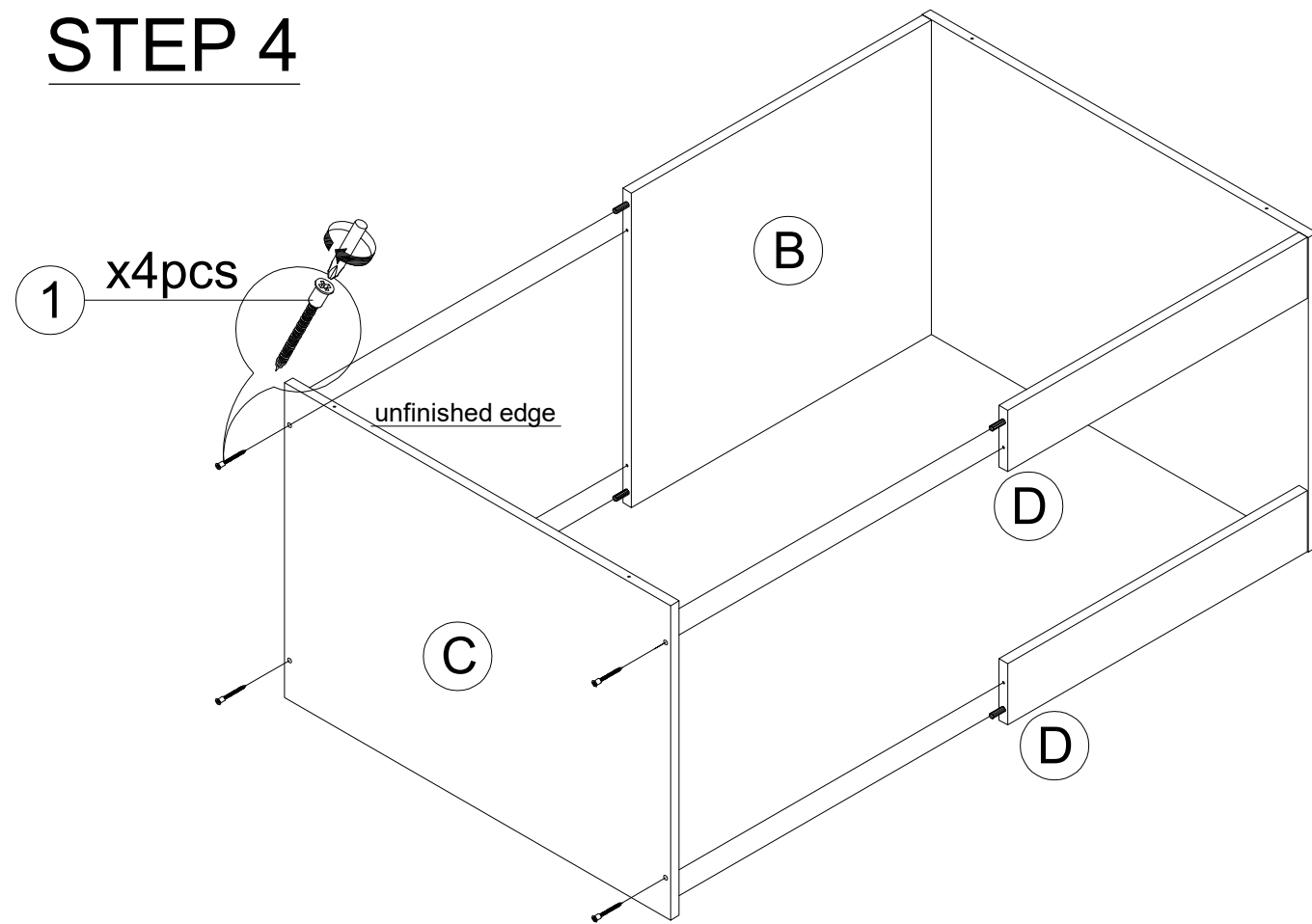
STEP 2



STEP 3

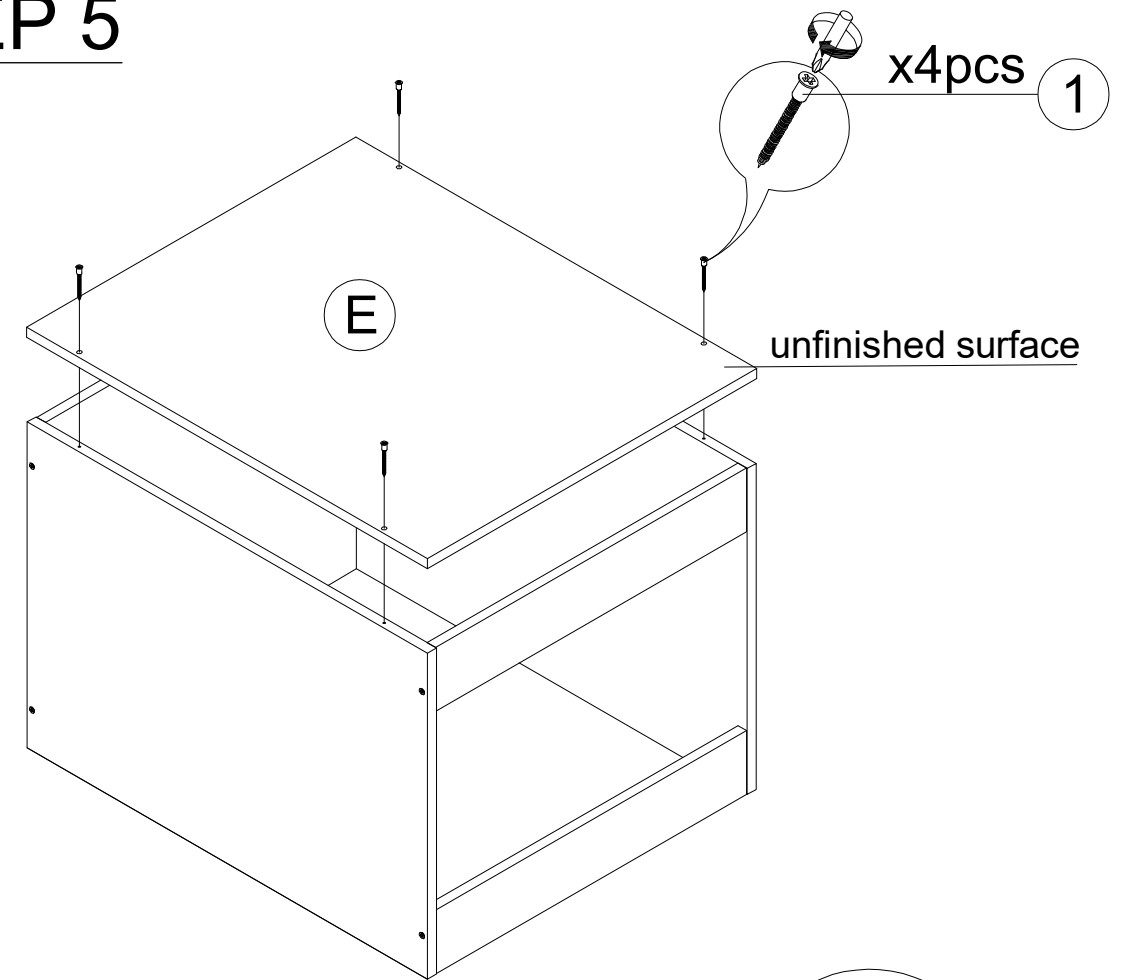


STEP 4

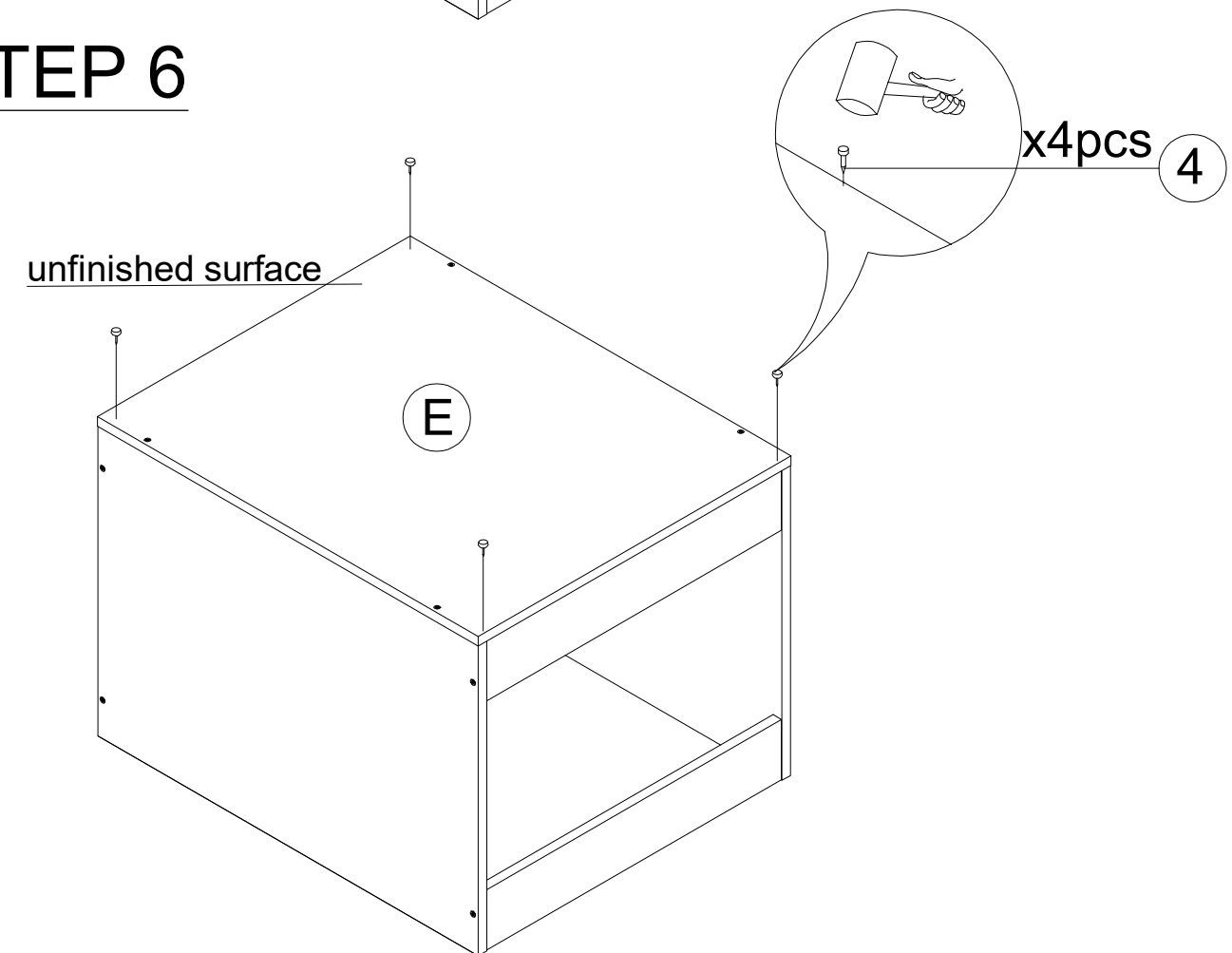


3

STEP 5



STEP 6



4