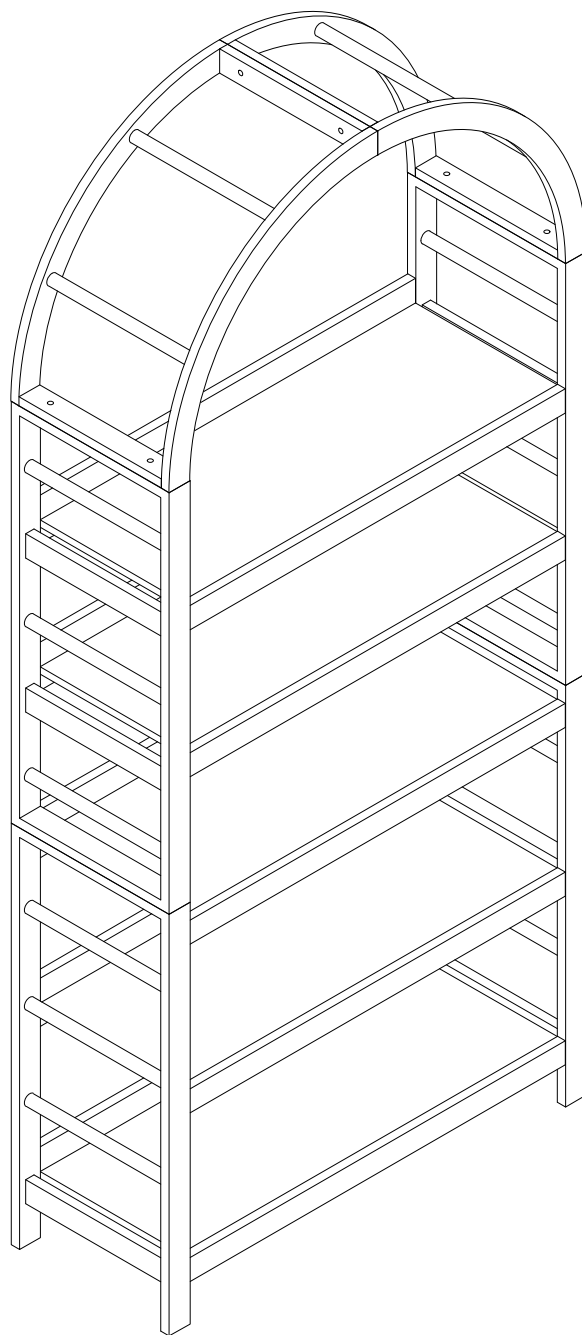


# Assembly Instructions

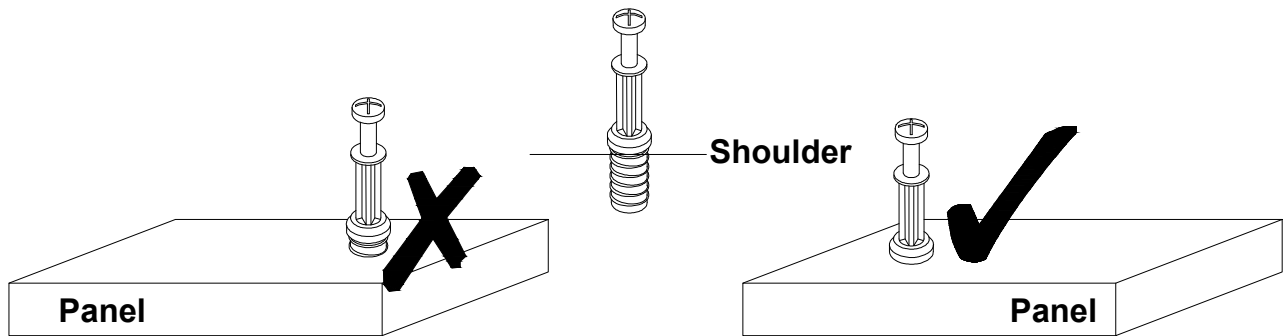


# Before Assembly

## Tips Before Your Start:

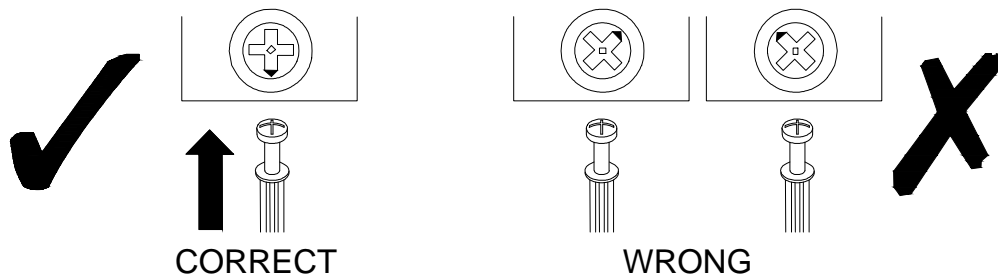
- Remove all wrapping material, including staples & packing straps before you start to assemble.
- DO NOT tighten all screws and bolts until the assembly is completely assembled.
- Keep all hardware parts out of reach of children.

## QUICKFIT



Tighten quickfit until shoulder is flush with panel. Do not overtighten or undertighten.

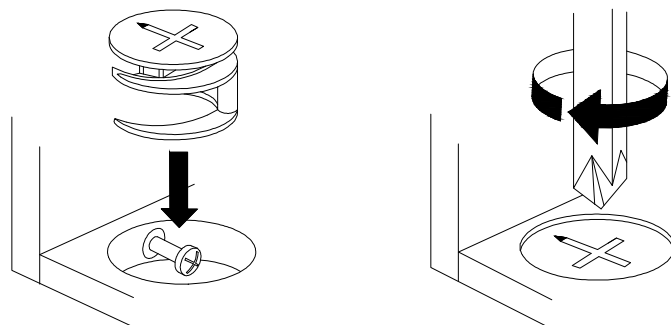
## CAM LOCK



When fitting a cam lock, ensure the starting position is correct before inserting the connecting QUI CKFIT




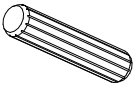
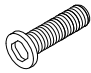


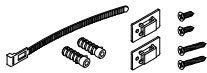
Quickfit head should be in the centre of the cam lock when the two panels are joined.

Cam lock should be inserted before quickfit.

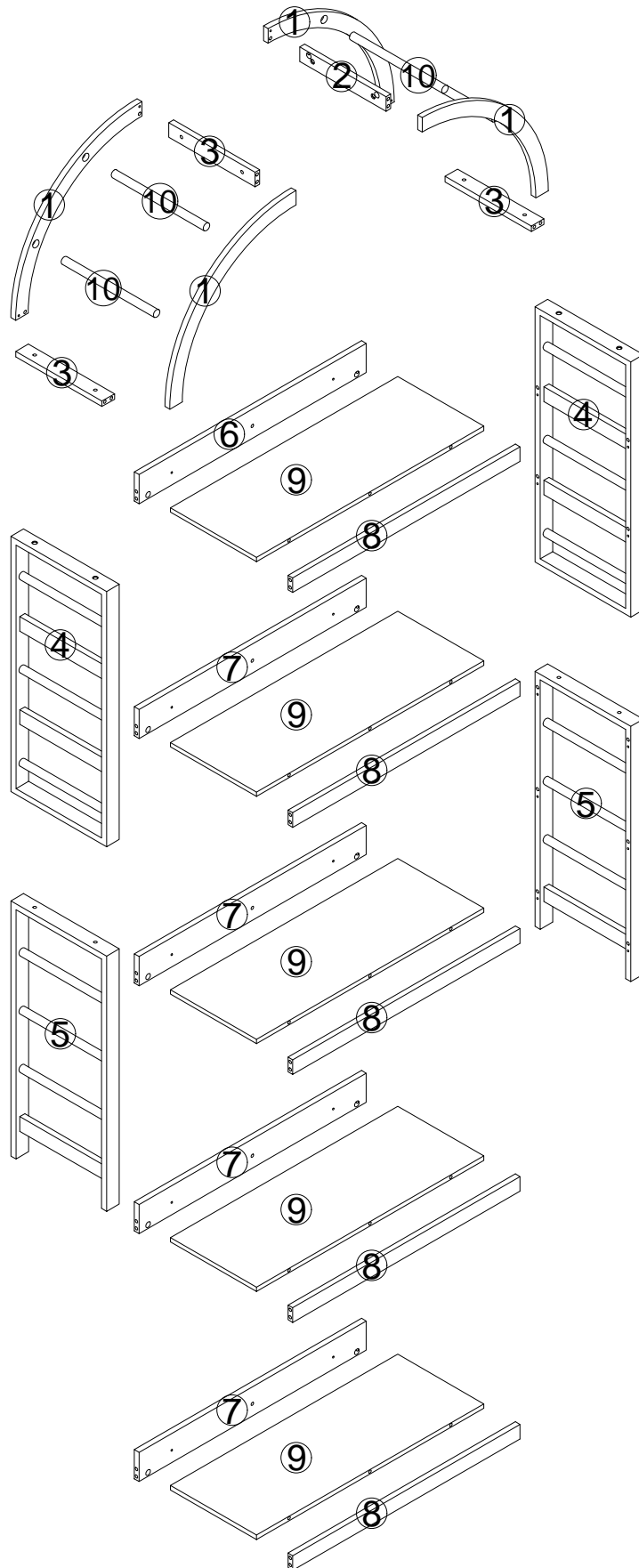


Turn cam lock clockwise to tighten.

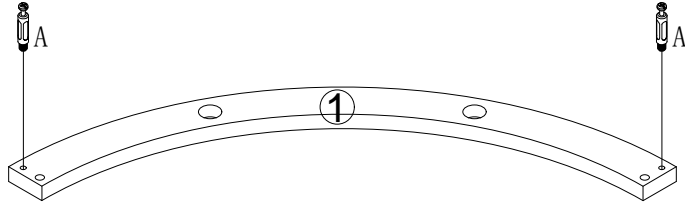
# Part List

<p><b>No. A</b> Quantity: 48 Pcs Cam Lock Dowel 8*28mm</p> 	<p><b>No. B</b> Quantity: 48 Pcs Cam Ø15</p> 	<p><b>No. C</b> Quantity: 48 Pcs Sticker Ø20</p> 	<p><b>No. D</b> Quantity: 38 Pcs Dowel 8*30mm</p> 
<p><b>No. E</b> Quantity: 10 Pcs Screw M6*25mm</p> 	<p><b>No. F</b> Quantity: 1 Pcs Allen Key 4#</p> 	<p><b>No. G</b> Quantity: 4 Pcs Foot Pad Ø15</p> 	<p><b>No. H</b> Quantity: 1 Sets Anti-falling Parts</p> 

# Product structure



# STEP 1

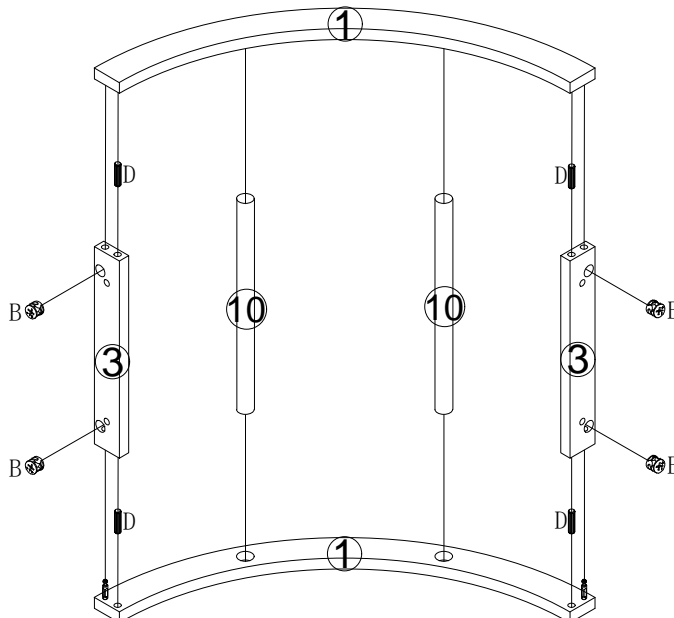


**×4**

No. A  
Quantity: 8 Pcs  
8\*28mm



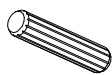
# STEP 2



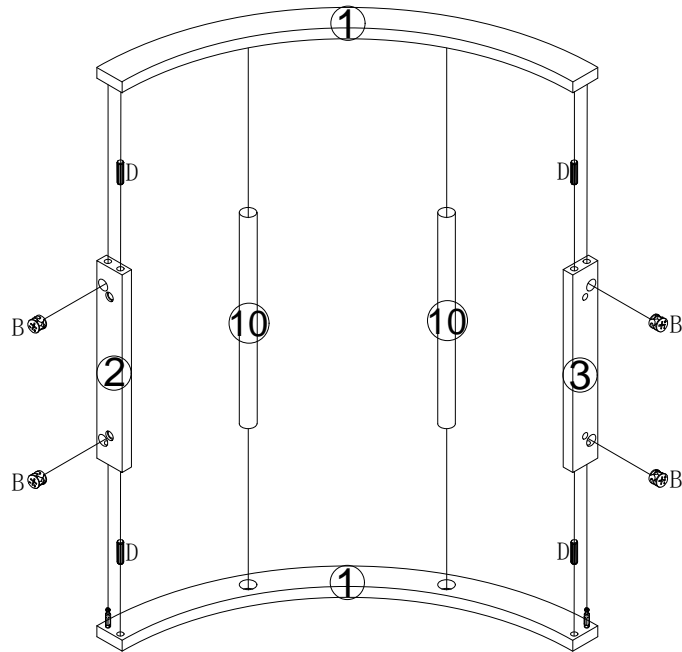
No. B  
Quantity: 4 Pcs  
Ø15



No. D  
Quantity: 4 Pcs  
8\*30mm



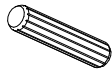
# STEP 3



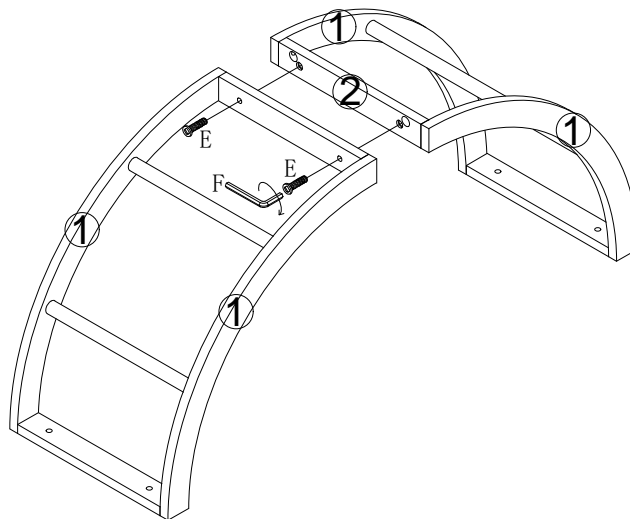
No. B  
Quantity: 4 Pcs  
Ø15



No. D  
Quantity: 4 Pcs  
8\*30mm



# STEP 4



No. E  
Quantity: 2 Pcs  
M6\*25mm

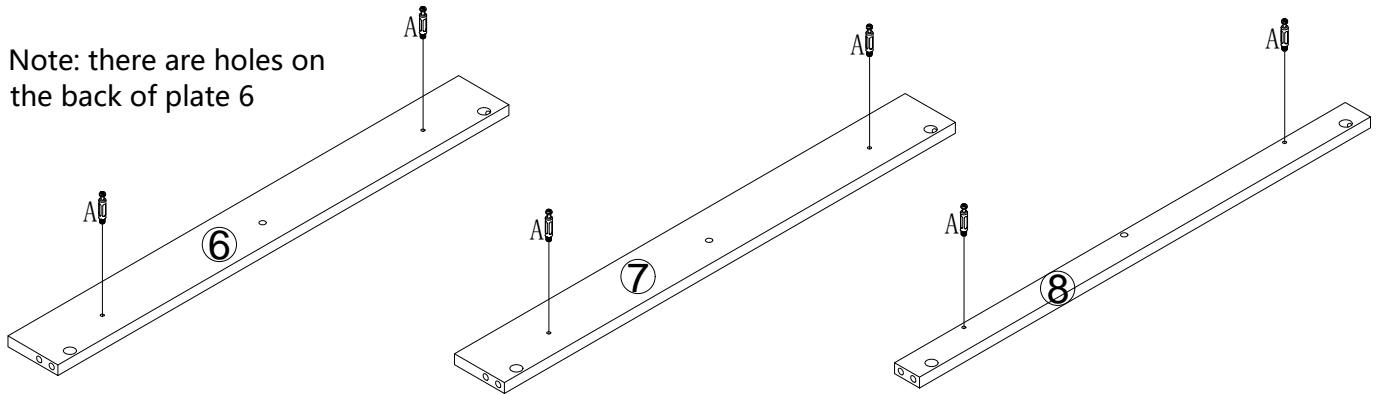


No. F  
Quantity: 1 Pcs  
4#



# STEP 5

Note: there are holes on the back of plate 6



**x1**

**x4**

**x5**

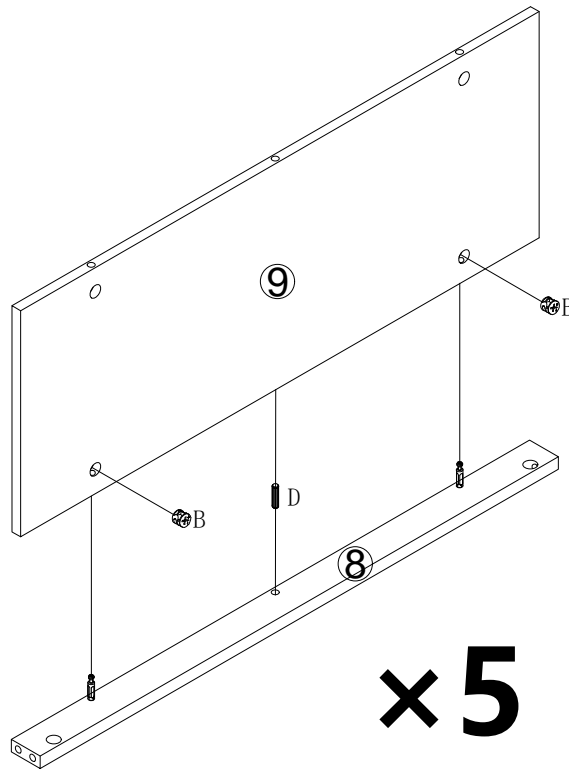
No. A

Quantity: 20 Pcs

8\*28mm



# STEP 6



**x5**

No. B

Quantity: 10 Pcs

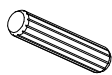
Ø15



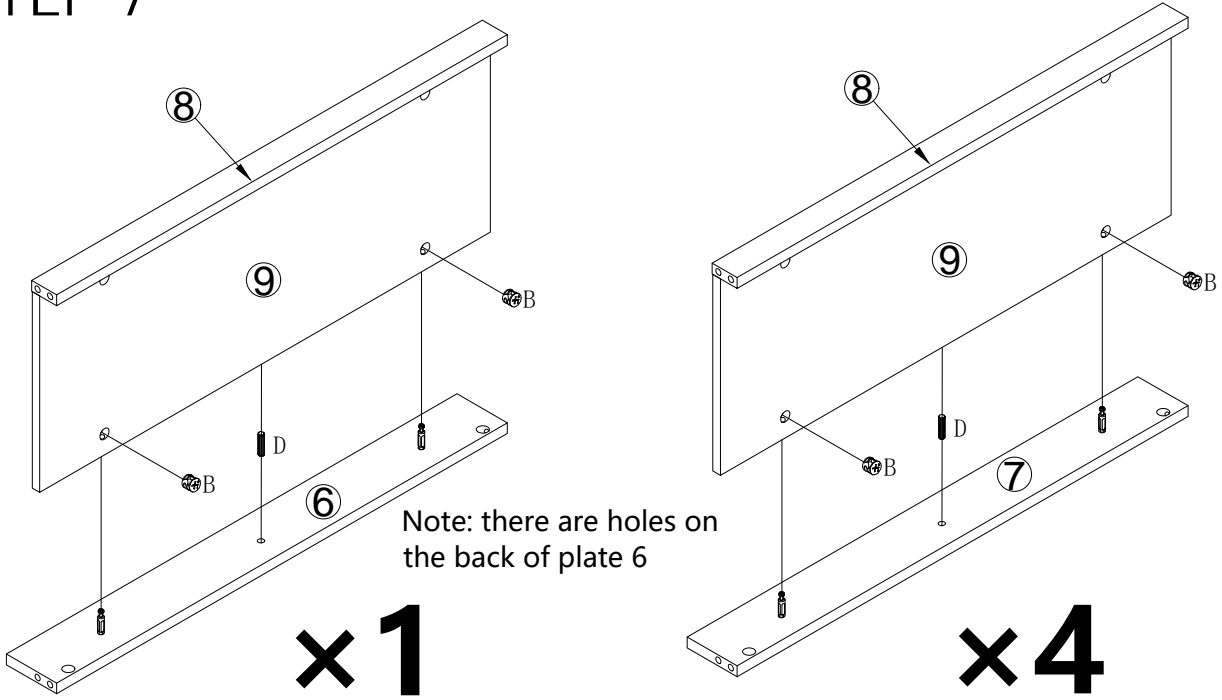
No. D

Quantity: 5 Pcs

8\*30mm



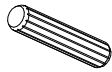
# STEP 7



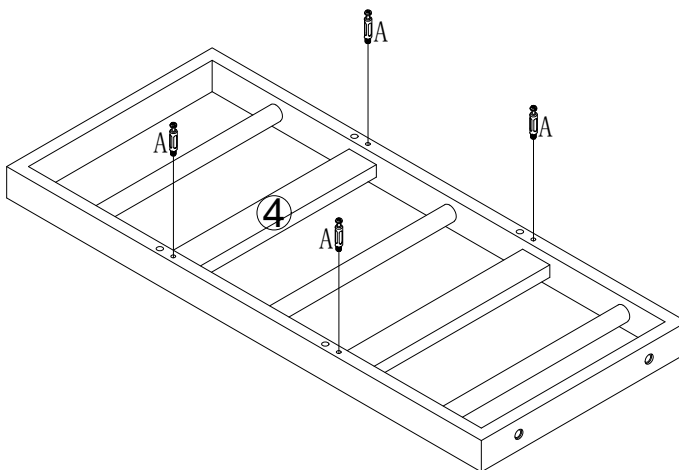
No. B  
Quantity: 10 Pcs  
Ø15



No. D  
Quantity: 5 Pcs  
8\*30mm



# STEP 8

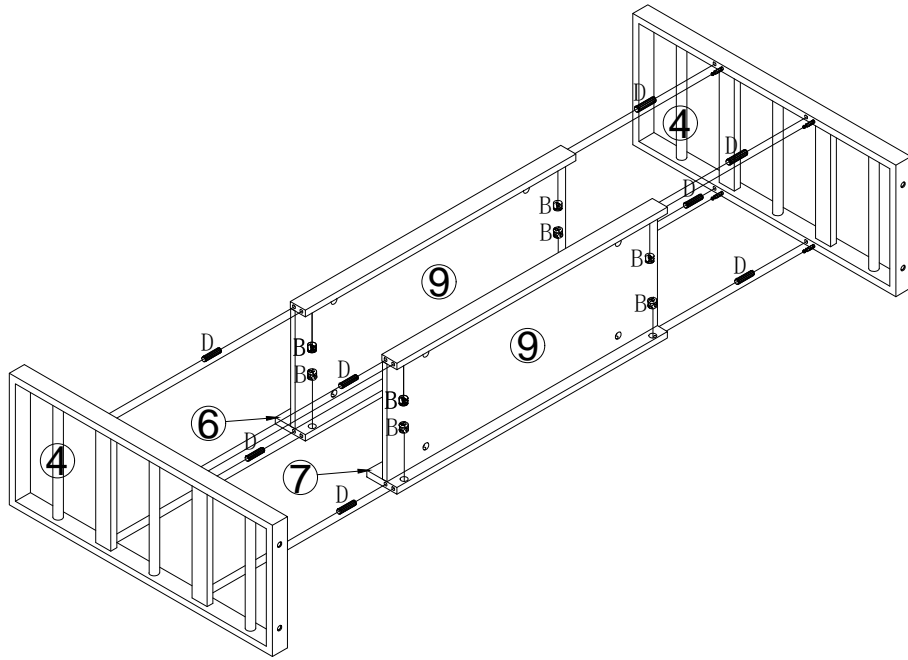


**x2**

No. A  
Quantity: 8 Pcs  
8\*28mm



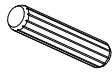
# STEP 9



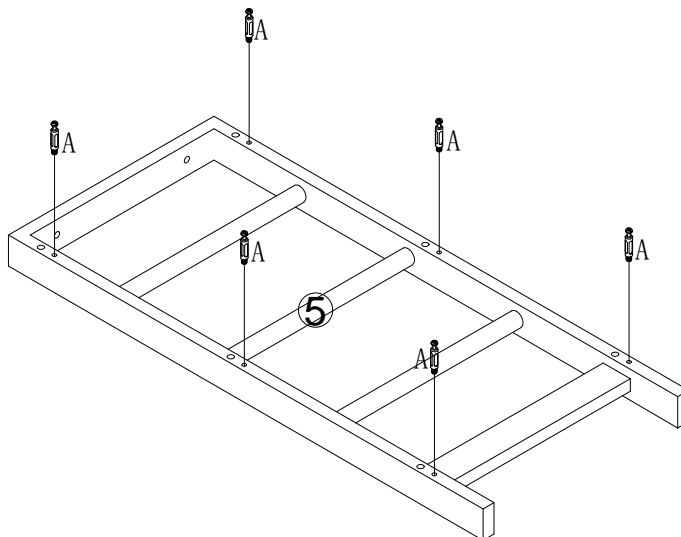
No. B  
Quantity: 8 Pcs  
Ø15



No. D  
Quantity: 8 Pcs  
8\*30mm



# STEP 10

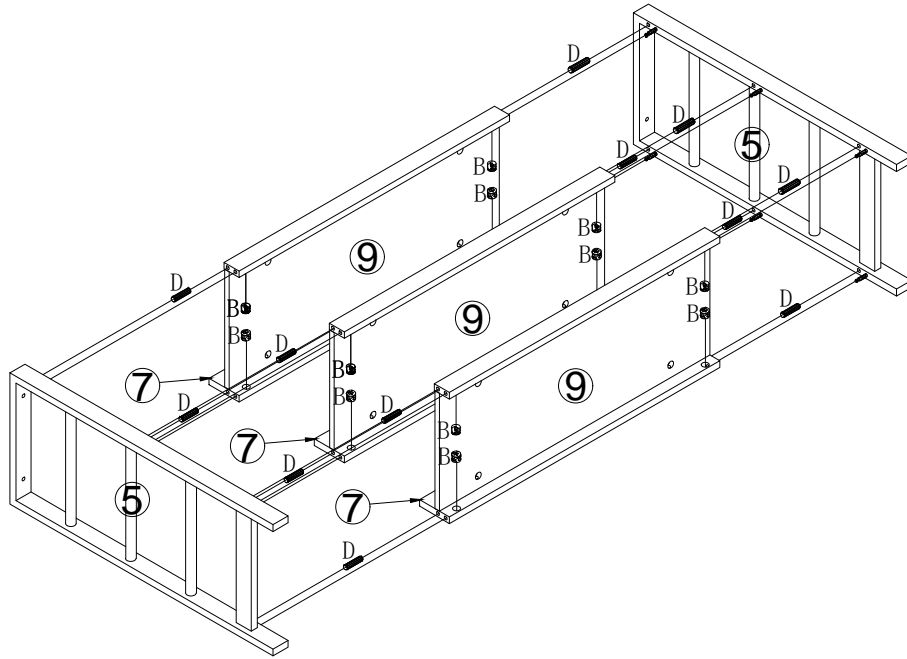


**x2**

No. A  
Quantity: 12 Pcs  
8\*28mm



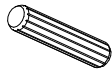
# STEP 11



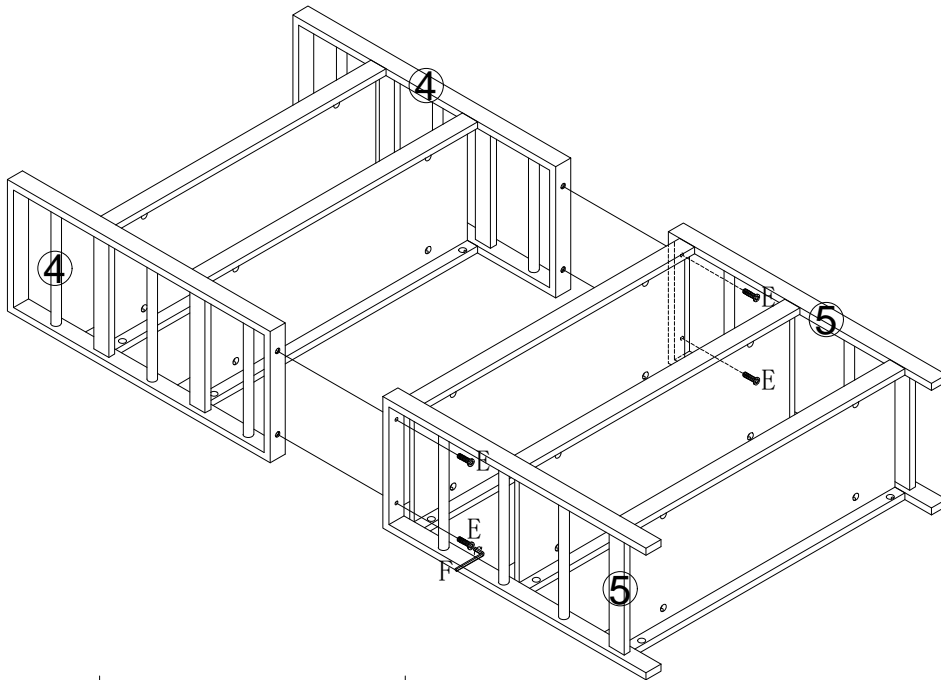
No. B  
Quantity: 12 Pcs  
Ø15



No. D  
Quantity: 12 Pcs  
8\*30mm



# STEP 12



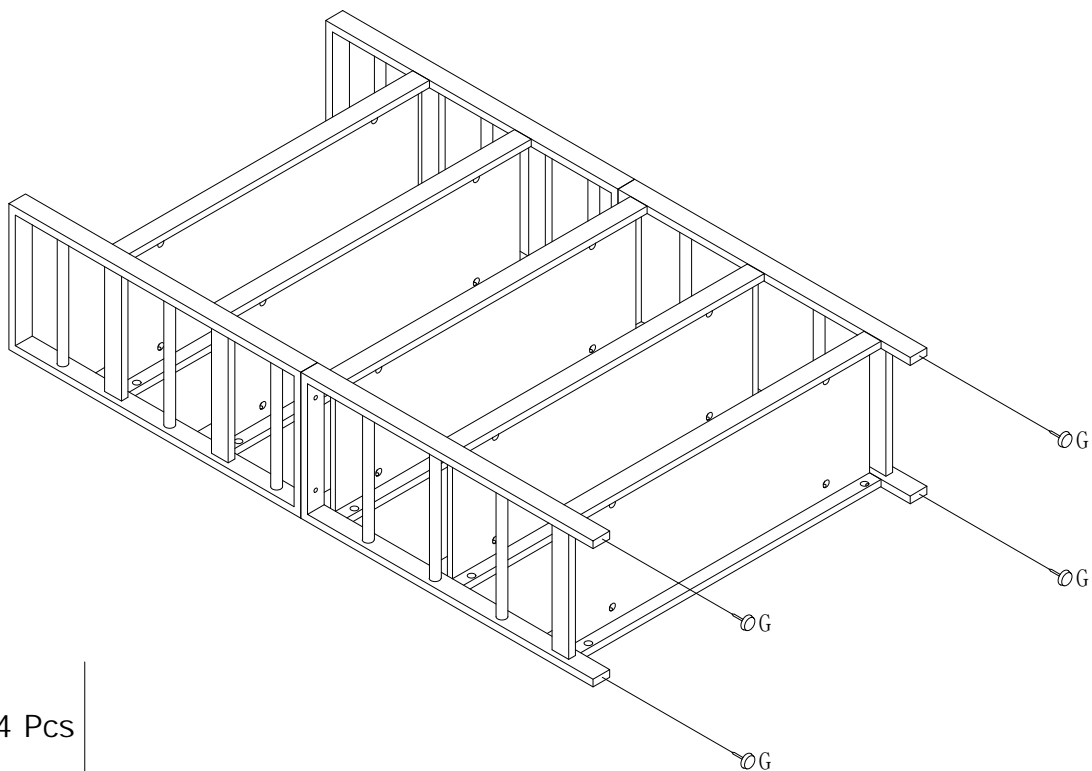
No. E  
Quantity: 4 Pcs  
M6\*25mm



No. F  
Quantity: 1 Pcs  
4#



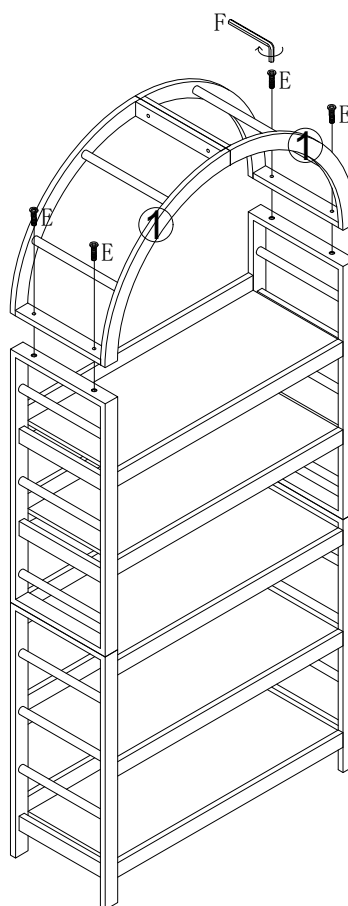
# STEP 13



No. G  
Quantity: 4 Pcs  
Ø15



# STEP 14



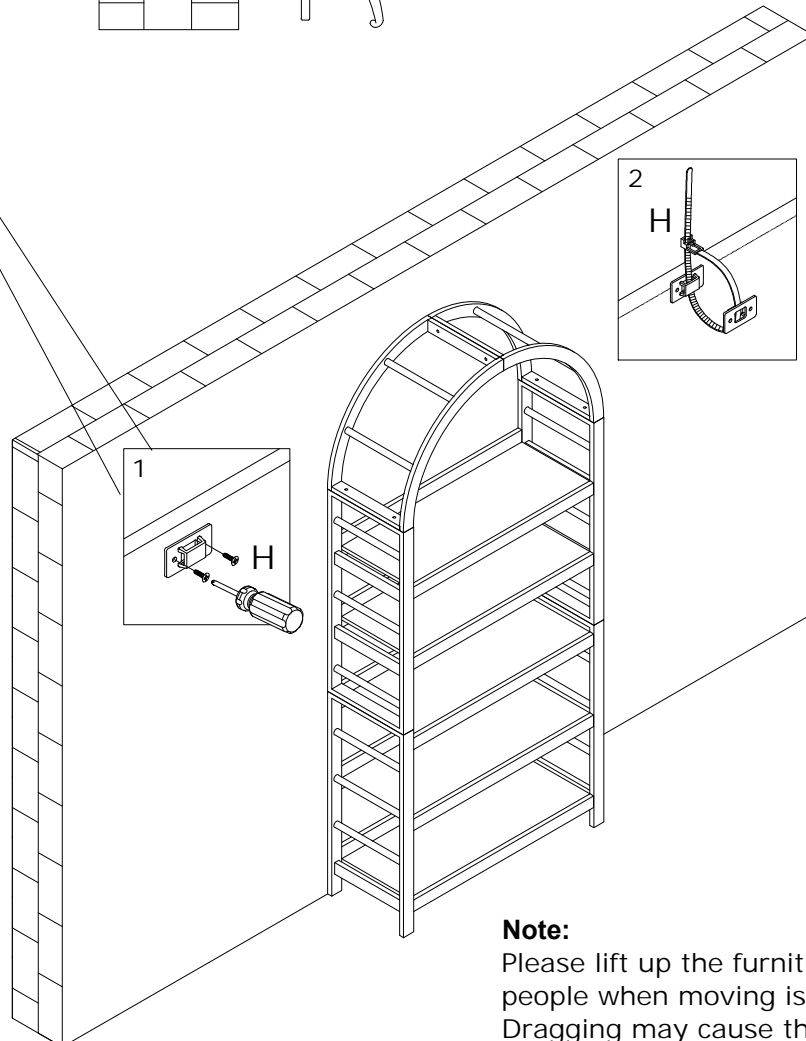
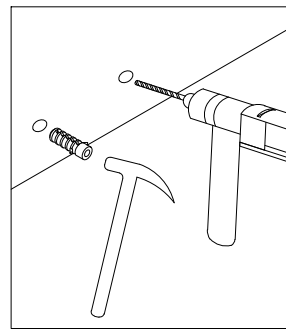
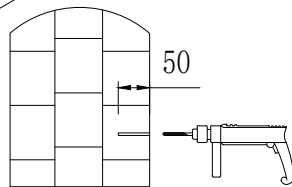
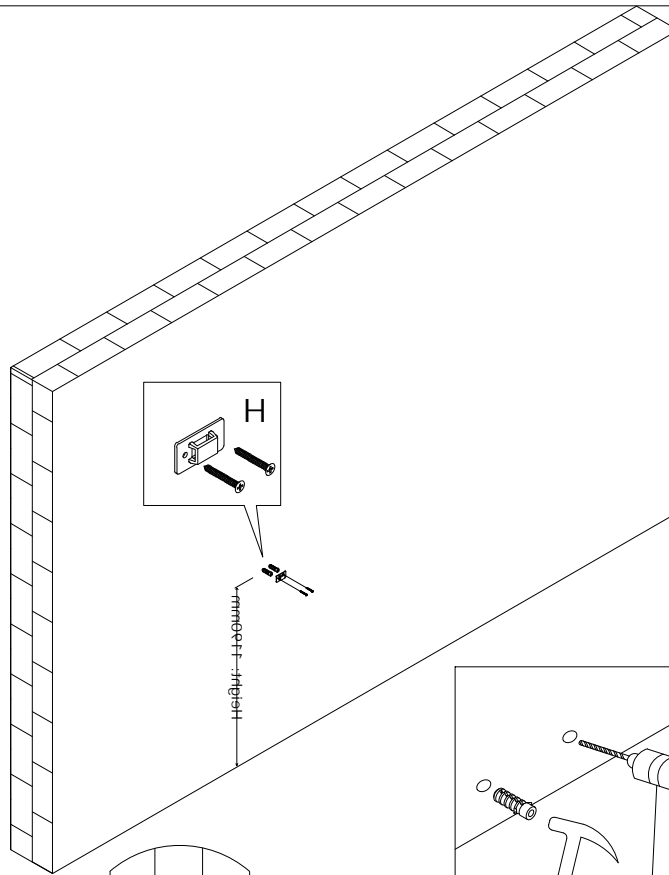
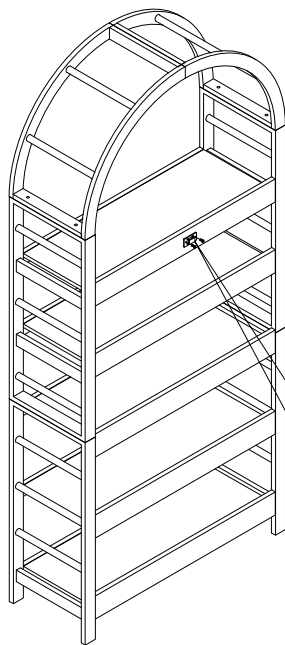
No. E  
Quantity: 4 Pcs  
M6\*25mm



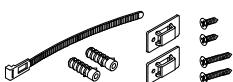
No. F  
Quantity: 1 Pcs  
4#



# STEP 15



No. H  
Quantity: 1 Sets



**Note:**  
Please lift up the furniture by two people when moving is needed.  
Dragging may cause the legs failure.