

# ASSEMBLY INSTRUCTIONS

## ***READ THIS MANUAL***

Do not use this product until you read and understand the instructions in this manual.

**KEEP THIS MANUAL FOR FUTURE REFERENCE.**



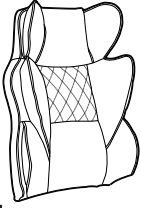
This manual is intended for installation and use. The pattern should be subject to the product you receive.

# 01 Accessory Details

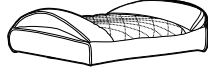
Check All the Accessories

Please check and ensure all the things are in the package.  
You can contact us for help if something is not included.

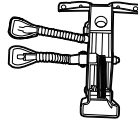
**Note:** Please check all parts and accessories. If there are any problems such as defects or missing parts, please email us for assistance.



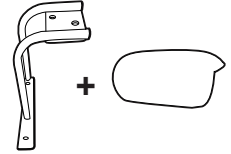
**a** \_\_\_\_\_ x1  
Back Sleeve



**b** \_\_\_\_\_ x1  
Seat



**c** \_\_\_\_\_ x1  
Mechanism



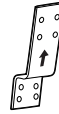
**d** \_\_\_\_\_ x2  
Armrest



**e** \_\_\_\_\_ x5  
Caster



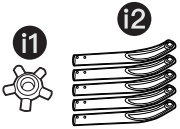
**f** \_\_\_\_\_ x1  
Gas Lift Cover



**g** \_\_\_\_\_ x1  
Connector



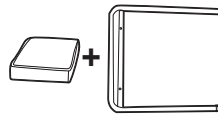
**h** \_\_\_\_\_ x2  
Footrest Rail



**i** \_\_\_\_\_ x1  
Base



**j** \_\_\_\_\_ x1  
Gas Lift



**k** \_\_\_\_\_ x1  
Footrest



**l** \_\_\_\_\_ x1  
Wrench

! **O** M6\*12 4pcs

! **S** M5\*8 1pc

! **V** M6\*25 6pcs

! **P** M6\*20 10pcs

! **T** M6\*20 10pcs

! **W** φ6\*φ18\*1.5mm 10pcs

! **Q** M6\*30 4pcs

! **U** M8\*20 4pcs

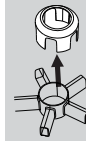
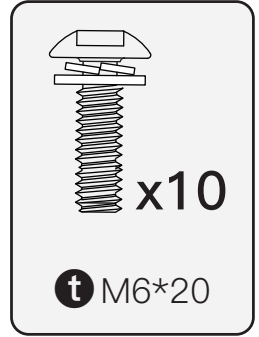
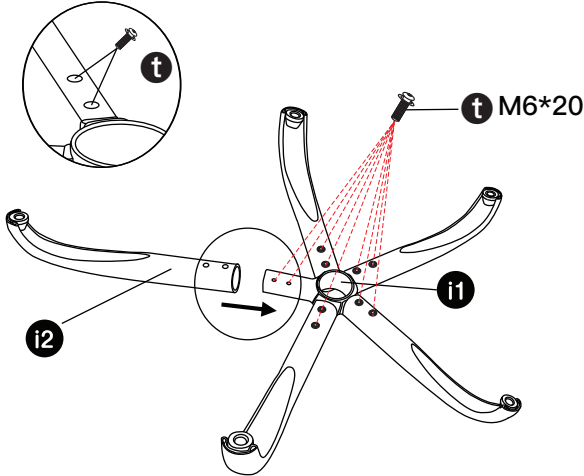
! **Z** φ8\*φ18\*1.5mm 4pcs

# 02 Instructions Before Using Chair Installation

Please keep the original box in case you might need to return or replace the product.

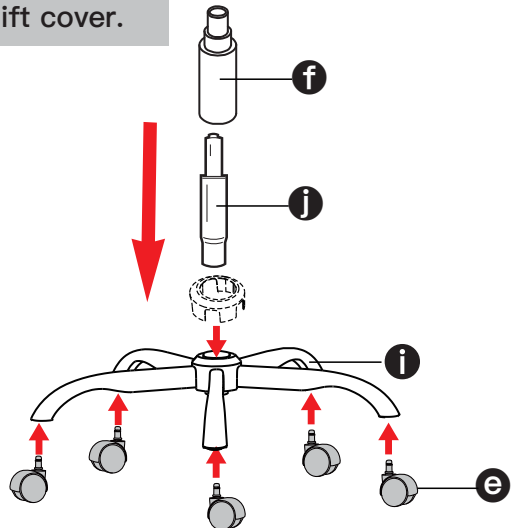
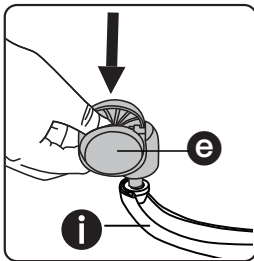
We advise conducting a **1:1** physical comparison to ensure a smooth installation.

## 1 Install the base.



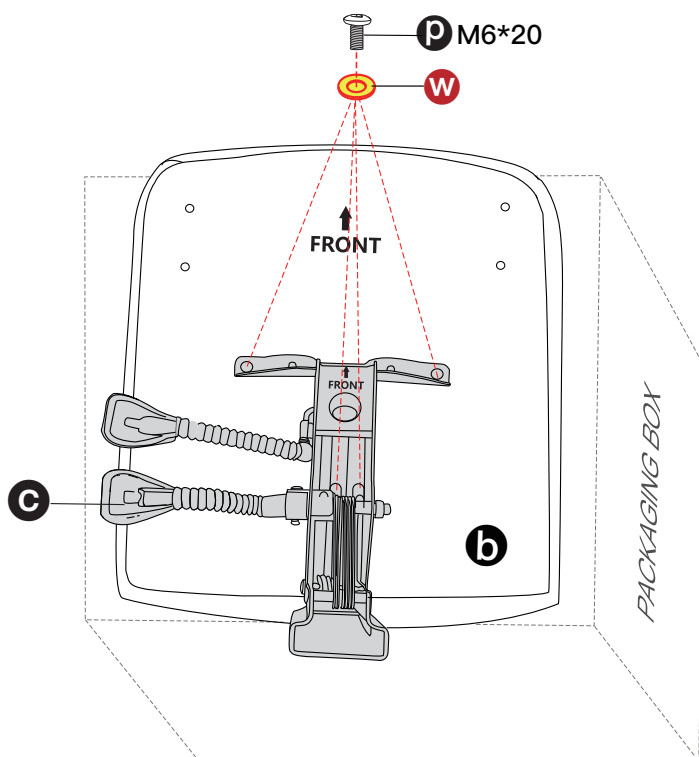
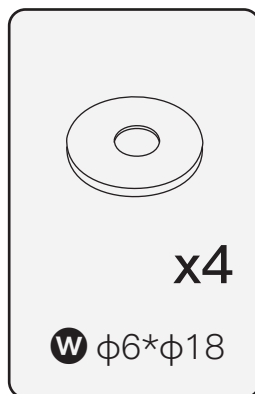
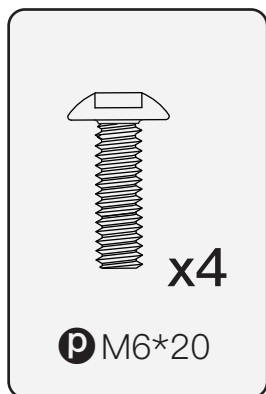
\* Note: Remove the base cover on the base center before assembly.

## 2 Insert the casters into the bottom of the base. Install the gas lift and gas lift cover.



### 3 Install the mechanism.

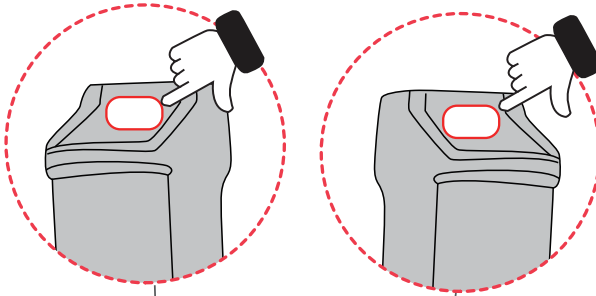
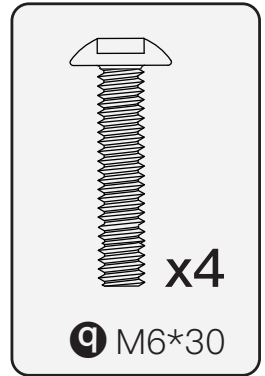
(For easy installation, place the SEAT on top of the packaging box.)



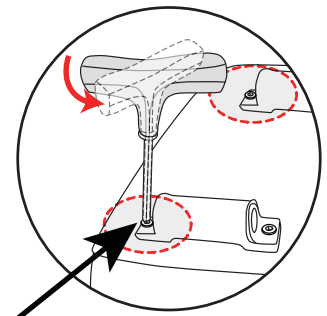
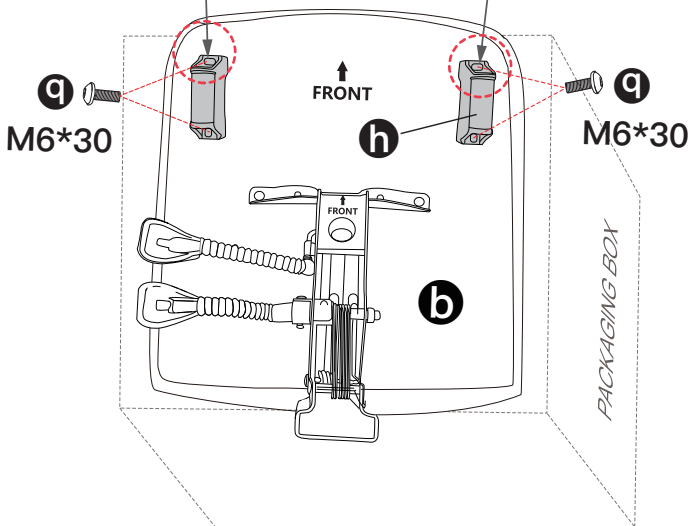
**4**

## Install the footrest rails.

(For easy installation, place the SEAT on top of the packaging box.)

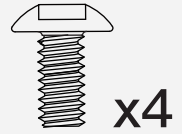
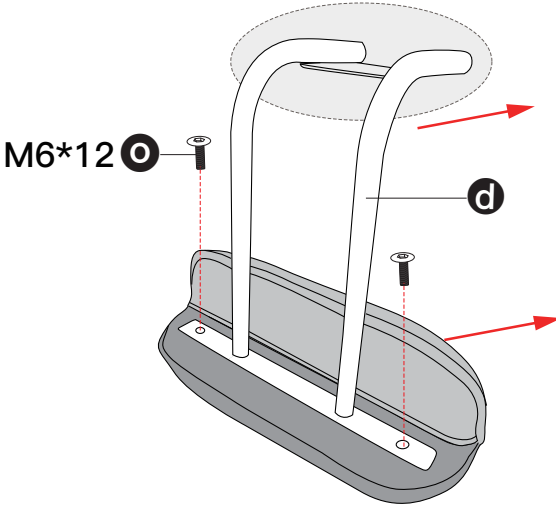


Straight screw holes  
in the same direction.



Loosen half a turn

**5** Install the armrest as shown below. The same with another one.



x4

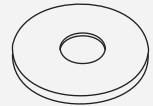
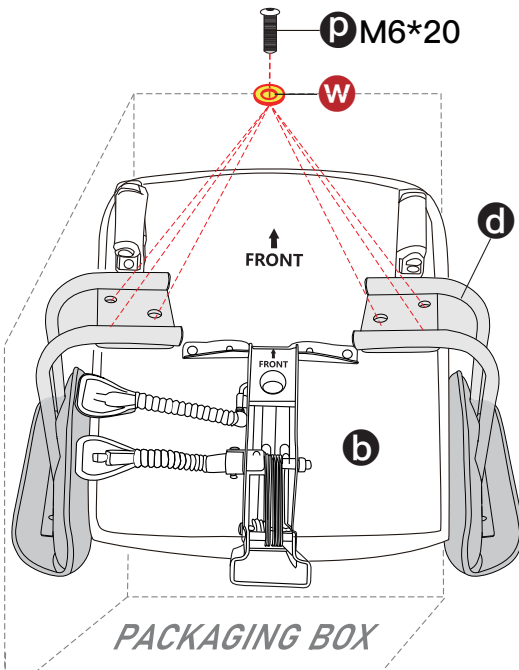
⊙ M6\*12

**⚠ Note:**

Place armrest covers and armrest iron frame on the same side as shown in figure for installation.

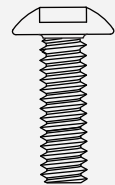
**6** Install the armrests on the seat.

(For easy installation, place the SEAT on top of the packaging box.)



x6

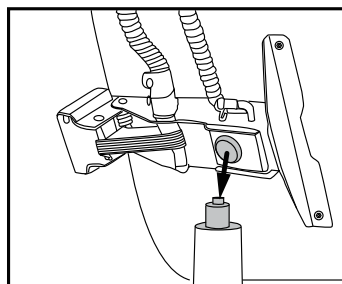
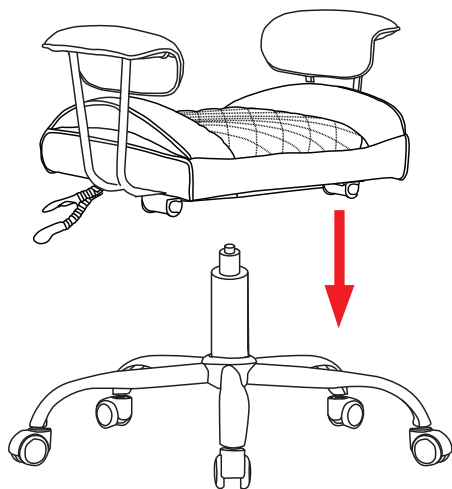
⊙  $\phi 6 * \phi 18$



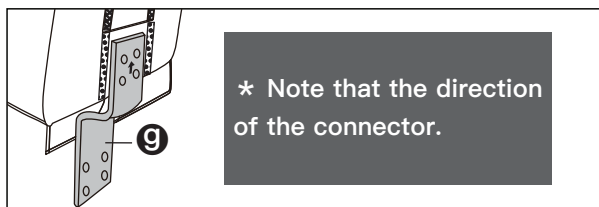
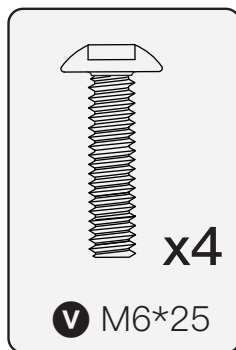
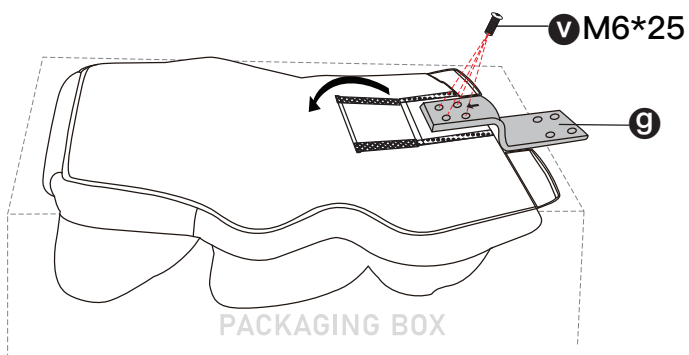
x6

⊙ P M6\*20

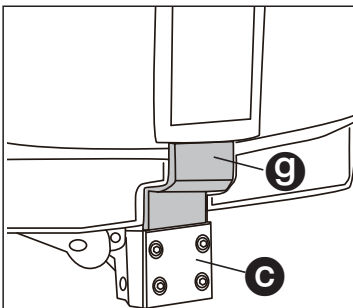
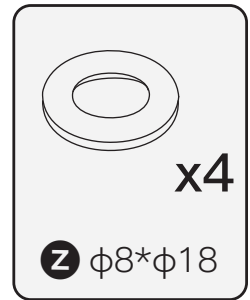
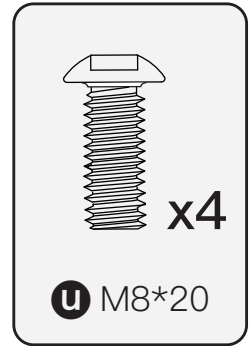
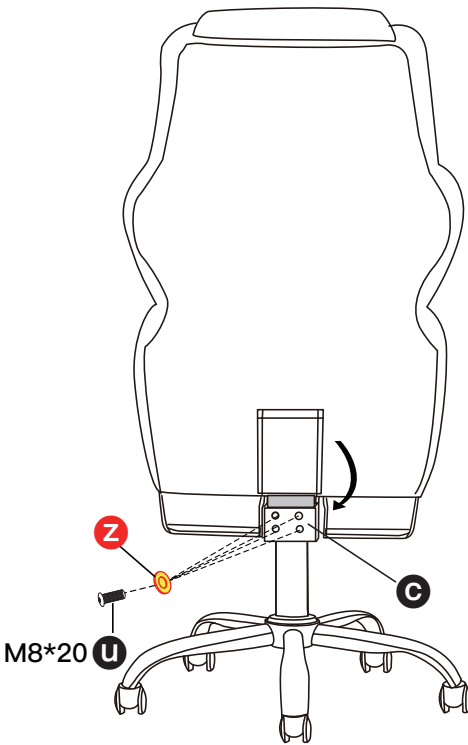
**7** Place the seat on the gas lift.



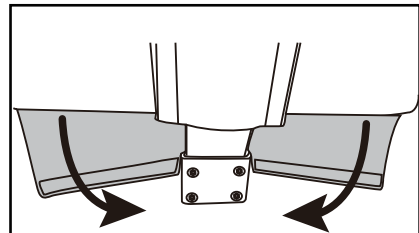
**8** Install the connector on the chair back.  
(For easy installation, place the BACK on top of the packaging box.)



**9** Install the chair back on the rear end of the mechanism.

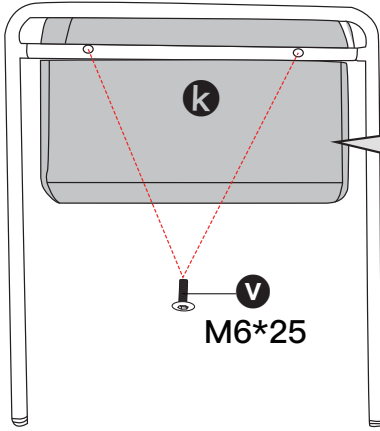


Note: Connector **g**  
INTO mechanism **c**.



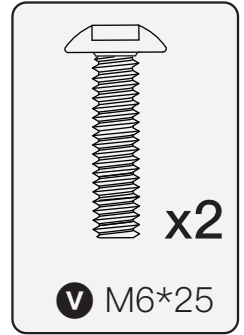
Stick the Velcro of the  
backrest to the seat  
bottom.

**10** Install the footrest.

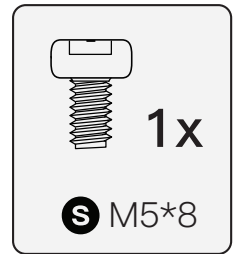
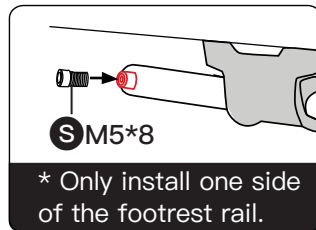
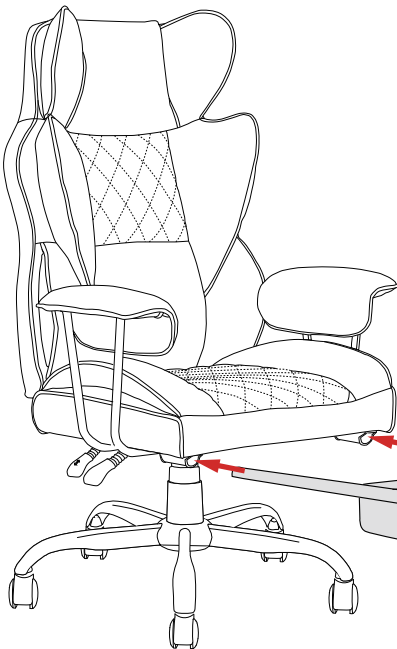


**NOTE:**

DO NOT mistake the front and back of the footrest paddle. Install the footrest as shown.



**11** Insert the footrest into the footrest rails. Complete.



**Attention**

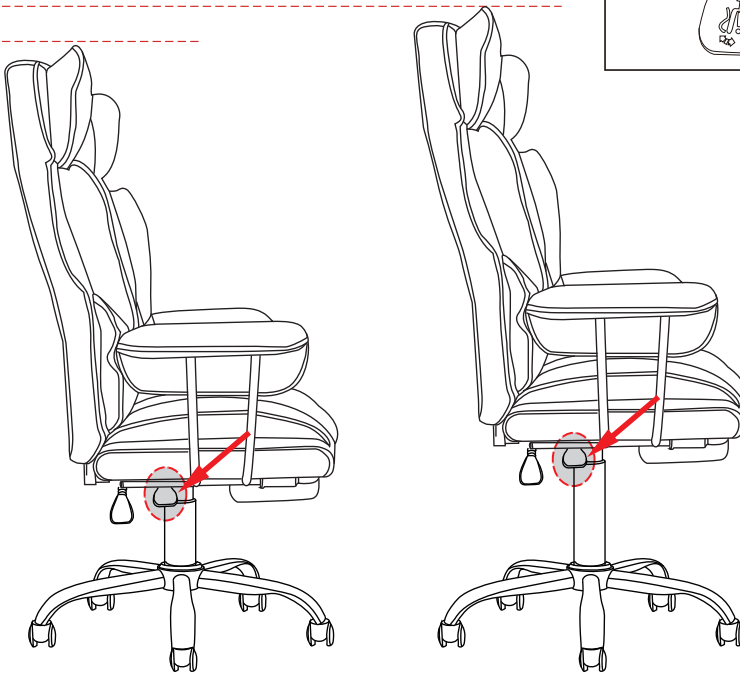
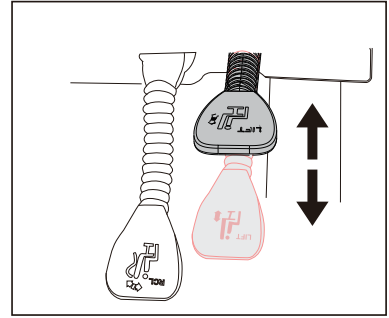
Please refer to the diagram for the front and back sides and proceed with caution during installation.

# 03 Instructions For Use

## Functions Display

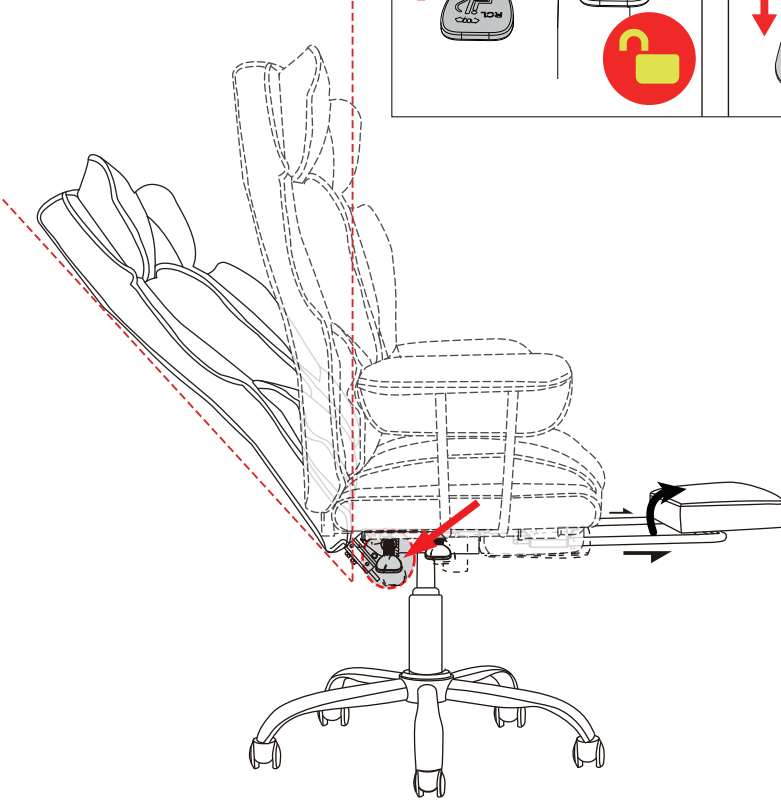
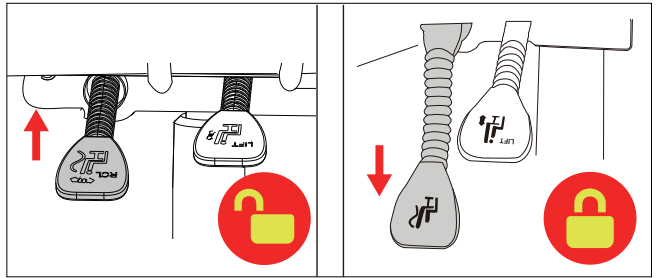
Please read the function introduction carefully.

### A Height Adjustment



Lift up the “LIFT” lever to adjust the height of chair, and release “LIFT” lever at desired height. Lift body slightly off the seat when adjusting the height.

## B Back Recline Function



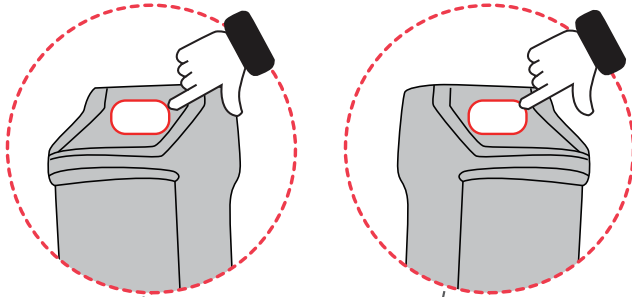
Pull up on the “RCL” lever and the back angle tilts independently with the user’s motion. Push down on the “RCL” lever and the back angle is locked in position. Rest on the back when resetting back to its normal position, otherwise, the back may rebound rapidly.

# 04 Frequently Asked Questions:

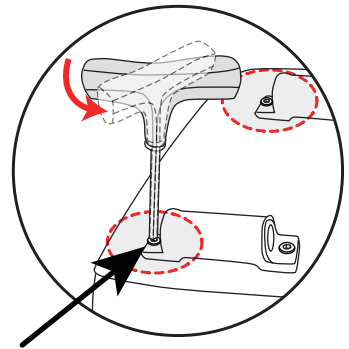
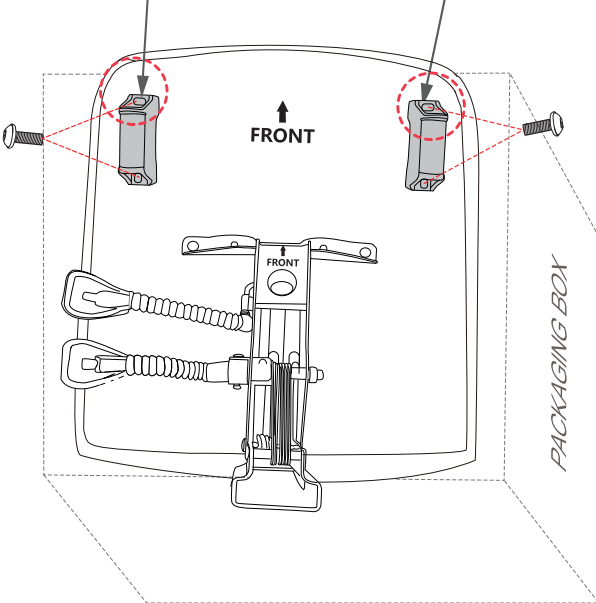
Q: Isn't the footrest sliding smoothly?

A: Adjust the footrest rails.

## Method 1



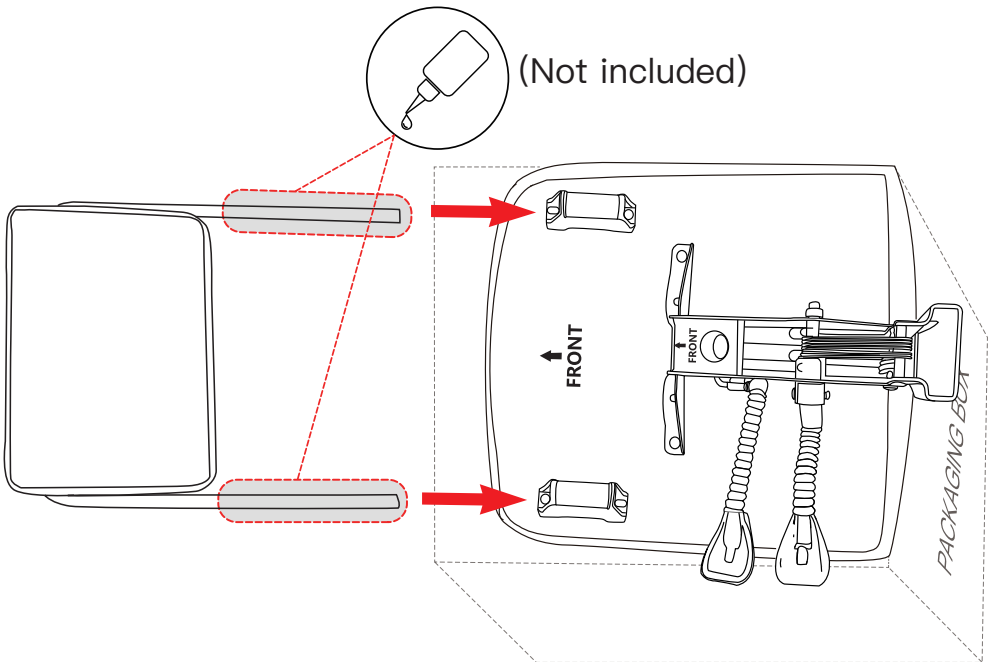
Straight screw holes  
in the same direction.



Loosen half a turn

## Method 2

**Method 1 didn't work?** Try applying a small amount of lubricating oil (Not included) evenly on the footrest rods as shown to make the footrest slide more smoothly.



# 05 SAFETY & MAINTENANCE

Please read the safety introduction carefully.



Sit in the center of the chair, with your back to the backrest



DO NOT sit at the front edge of the chair



DO NOT stand on the chair



DO NOT use the chair with more than one person



DO NOT push the chair around when a person is sitting in it



DO NOT push down on the backrest when a person is reclined



DO NOT place all your weight on the backrest only

## SAFETY INFORMATION

- Use this chair for seating only one person at a time.
- ☒ DO NOT stand on the chair.
- ☒ DO NOT use the chair unless all screws are firmly secured.
- ☒ Avoid contact with sharp objects to prevent puncturing the fabric.
- ☒ Every 6 months, check all screws to ensure they are all fully tight.
- ☒ To clean, spot clean only needs a damp towel and mild cleaner, first test on a small obscure area of fabric.
- ☒ DO NOT use the chair as a stepladder.

# MAINTENANCE

---

- ◆ Thank you for choosing us. **We are** dedicated to providing high-quality and safe products for comfort.
- ◆ **We** guarantee each of its new products to be free from defects in materials and/or defects caused by workmanship. This does not apply to normal wear and tear or to damage caused by neglect, lack of maintenance, abnormal operation or unreasonable use, damage caused by the use of accessories or parts not manufactured by **us** or components altered and/or disassembled.
- ◆ This warranty does not cover products purchased from unauthorized retailers or not owned by the original consumer. **We** do not cover lost or stolen items/parts.

Except to the extent prohibited by applicable law, any implied warranty of merchantability or fitness for a particular purpose on this product is hereby disclaimed .

**We shall not be liable for any incidental, consequential, special, or punitive damages of any kind for breach of the express limited warranty on this product, or any warranty implied by operation of law.**

**Other than the express limited warranty set forth above, there are no other warranties that accompany this product, and any oral, written, or any other express.**

Dear Customer,

Thank you for choosing us.

We have been implementing its brand and design concept “BE COOL BE FREE”, and we are dedicated to enriching gaming and shopping experience for customers.

For safe use, please read this manual before installation, and keep it for after use. Please feel free to email us if you have any concerns about our products. We'll reply within 24 hours.

The following are the things you need to pay attention to so that we can provide you with services when you encounter problems during the installation and use of the product:

- When the product is damaged due to courier problems, please contact our customer service in time for verification.
- We will rectify the issue as soon as possible;
- We give a 1-year quality assurance.

We offer product explanations, installation instructions, product maintenance and maintenance methods.

If you feel satisfied with our product and service,

- Please set our store as your favorites;
- Please recommend our products to your friends;
- Please leave us your purchase experience in our store or product page.

Feedback or reviews from you will greatly help us offer better services to players around the world.

Best regards!

**\* ATTENTION! During installation, DO NOT tighten the screws completely until all the screws are fixed in the correct position.**