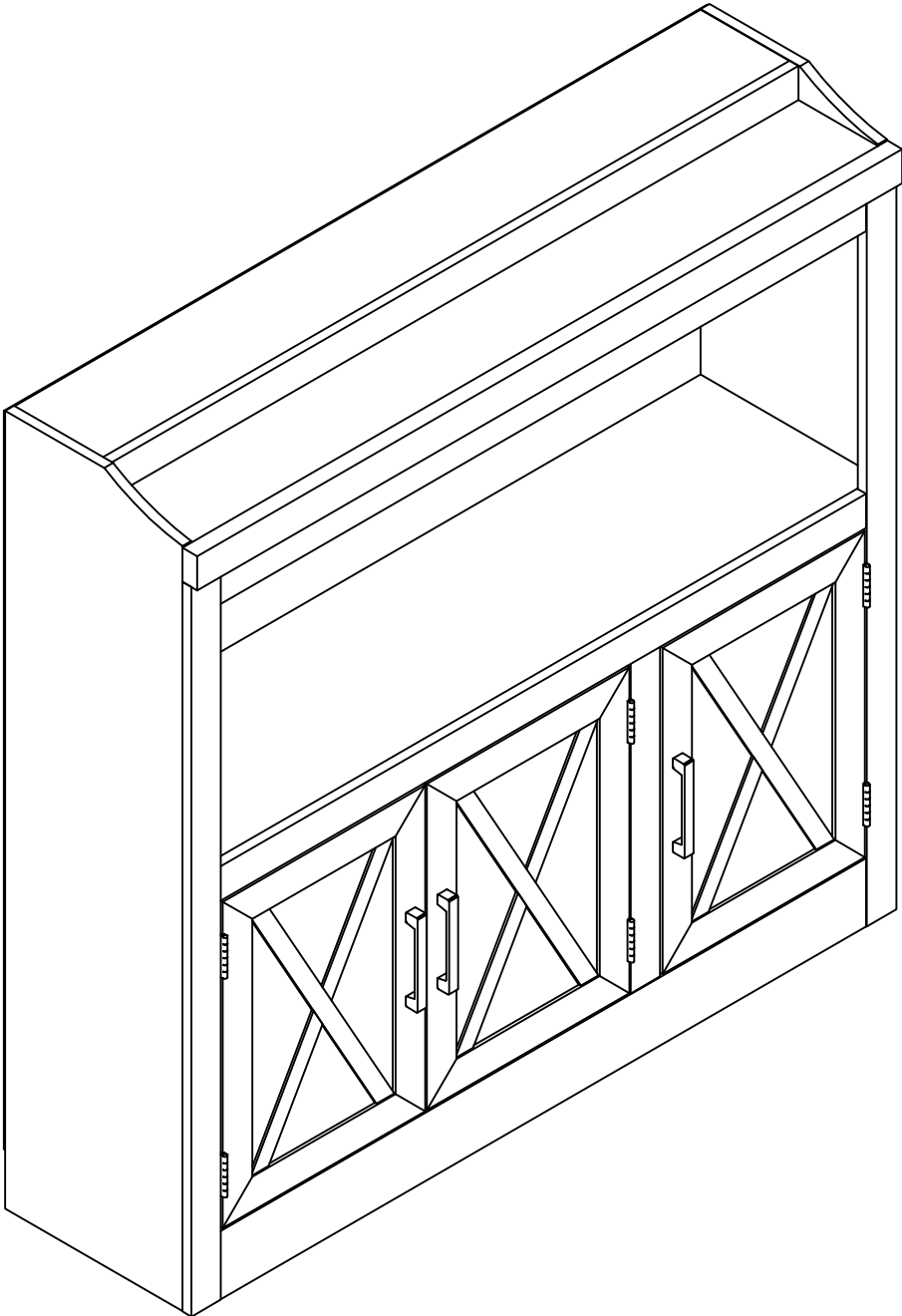
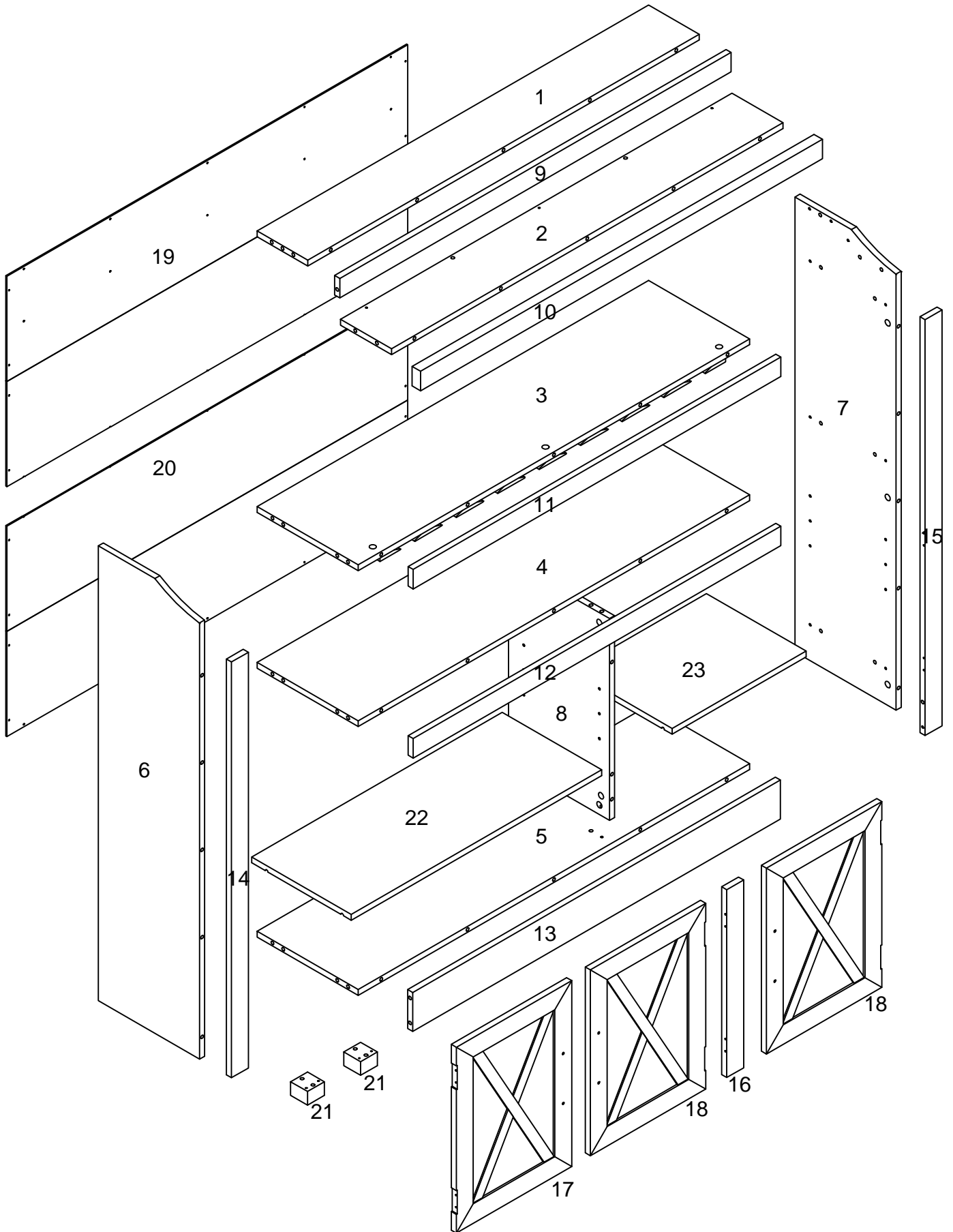




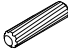

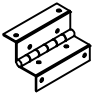







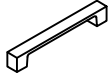







ASSEMBLY INSTRUCTION



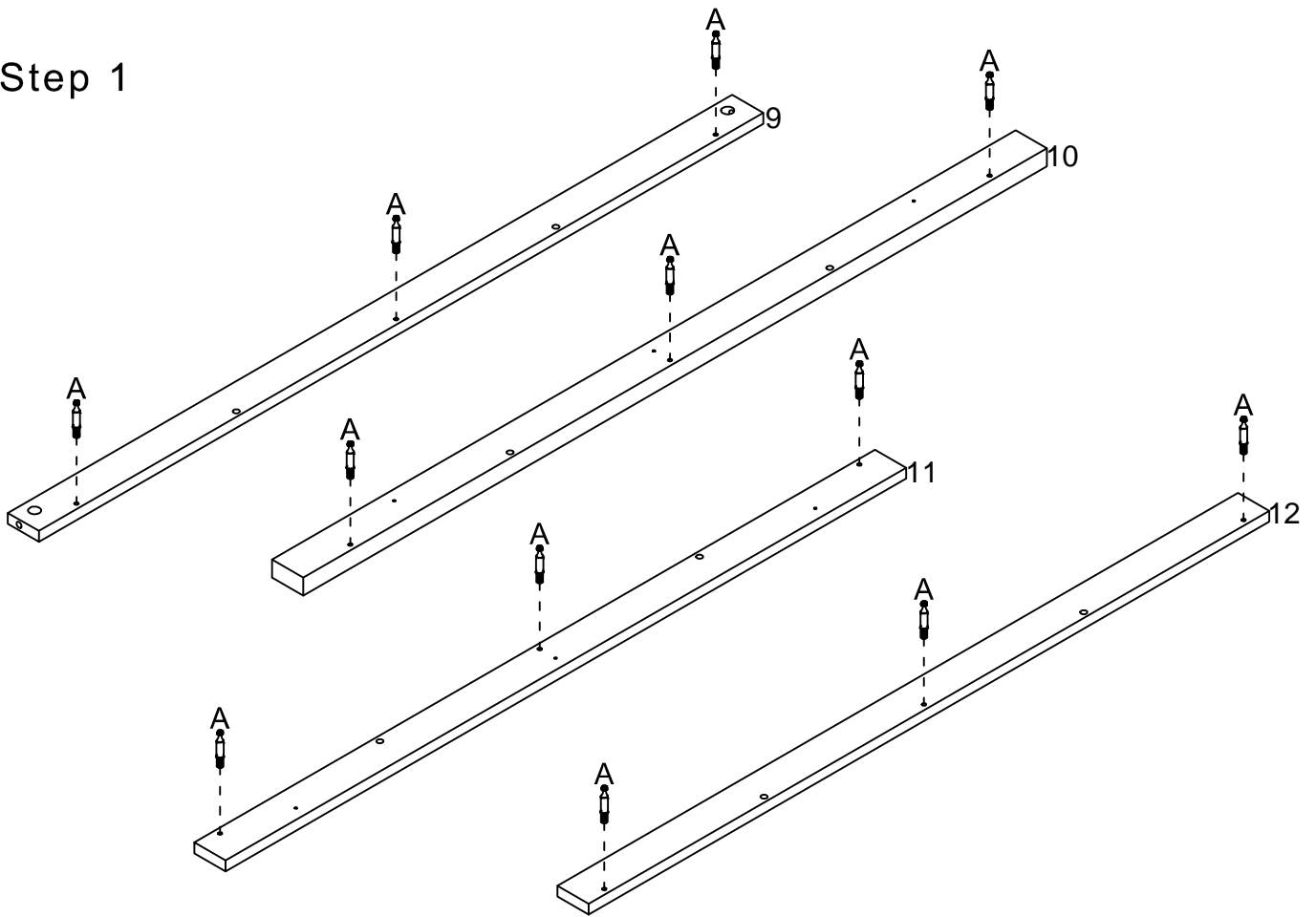
# Parts List



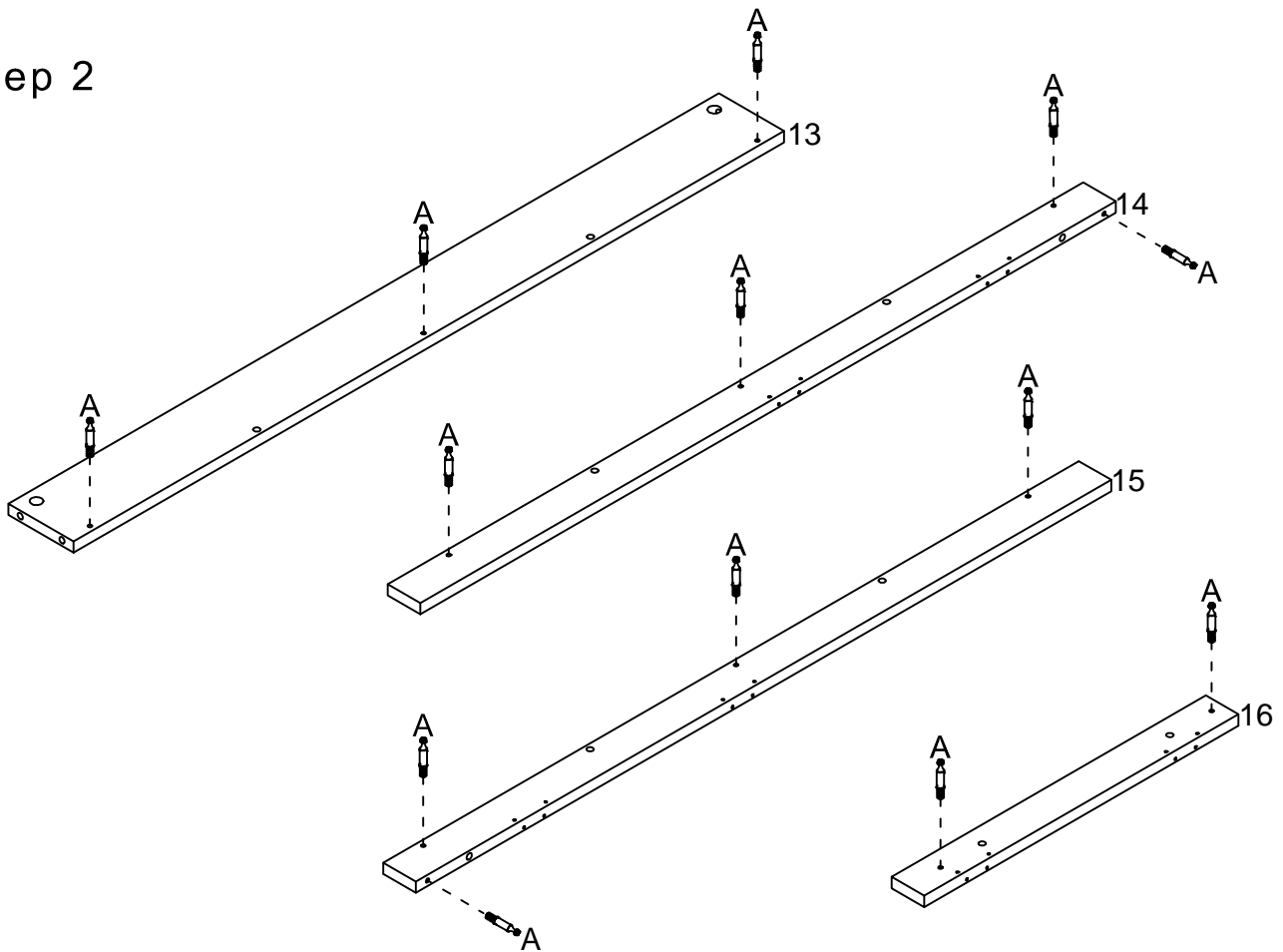
# Hardware List

A		Ø5*25mm	Bolt	47 pcs
B		Ø15*11mm	Nut	47 pcs
C		Ø8*30mm	Wood Dowel	42 pcs
D		Ø5*16mm	Shelf Support	8 pcs
E		60*30*25mm	Hinge	6 pcs
F		Ø3*15mm	Screw	48 pcs
G		44x16x12mm	Magnet	2 pcs
H		Ø3.5*15mm	Screw	4 pcs
I		30x22x1mm	Iron Sheet	3 pcs
J		Ø3*12mm	Screw	3 pcs
K		Ø4*38mm	Screw	7pcs
L		M4	Allen Key	1 pc
M		137*15*19mm	Handle	3 pcs
N		Ø4*20mm	Bolt	6 pcs
O		46*13*1mm	Iron Sheet	3 pcs
P		Ø3*15mm	Screw	36 pcs
Q			Glue	1 pc
R			Paper Cover	10 pcs
S			Anti-Tipping Kit	2 sets
T		Ø3.5*12mm	Screw	6 pcs

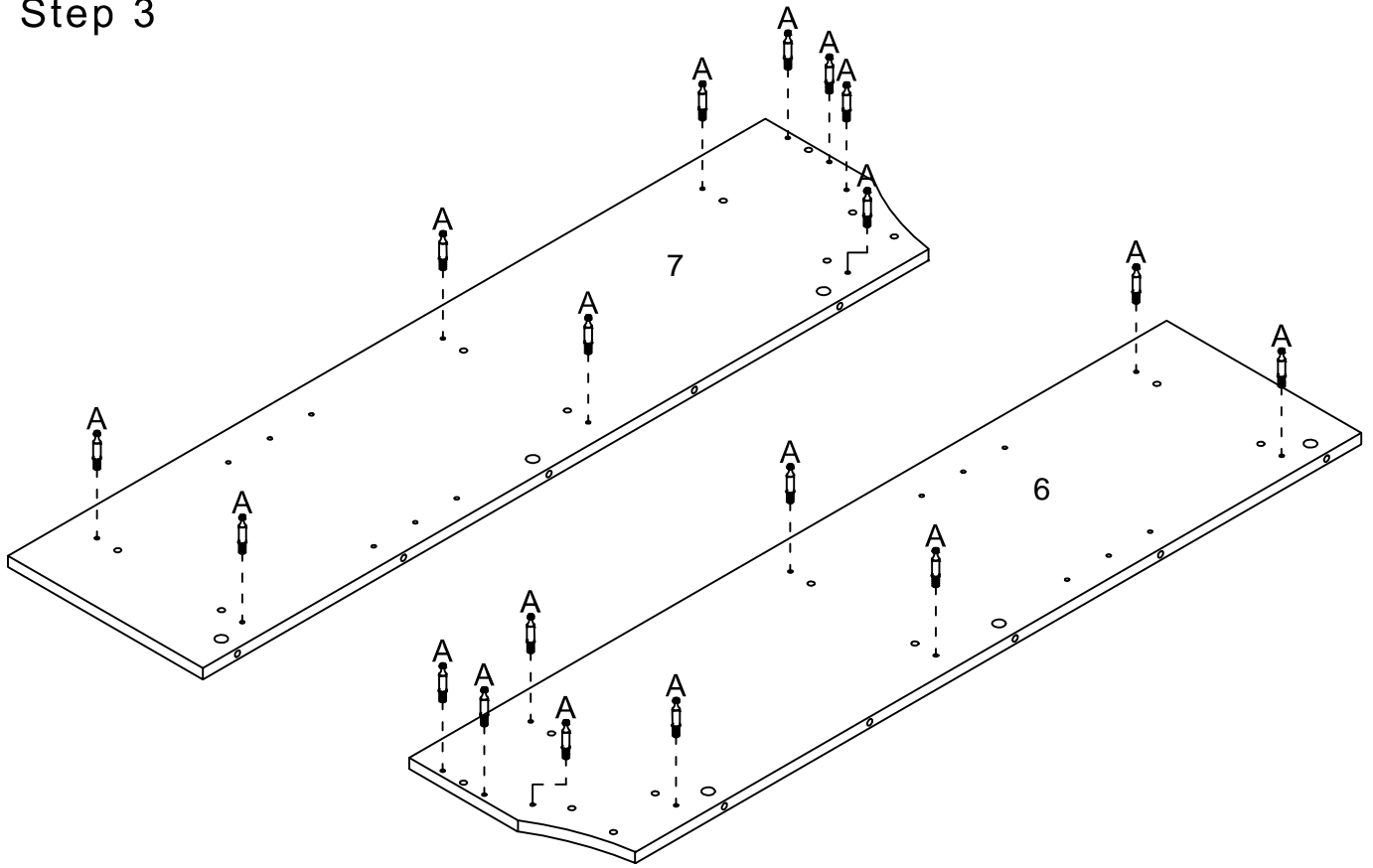
## Step 1



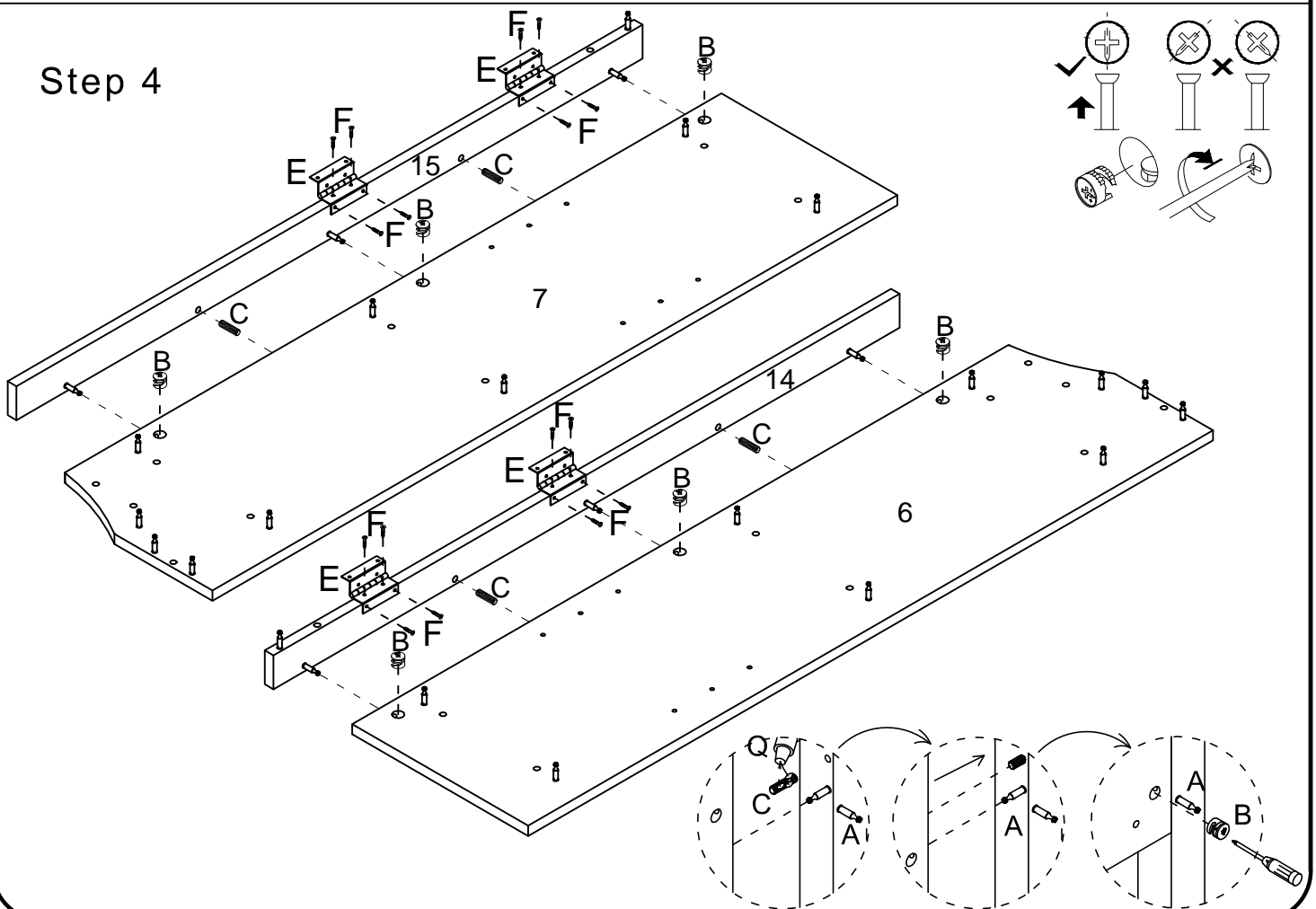
## Step 2



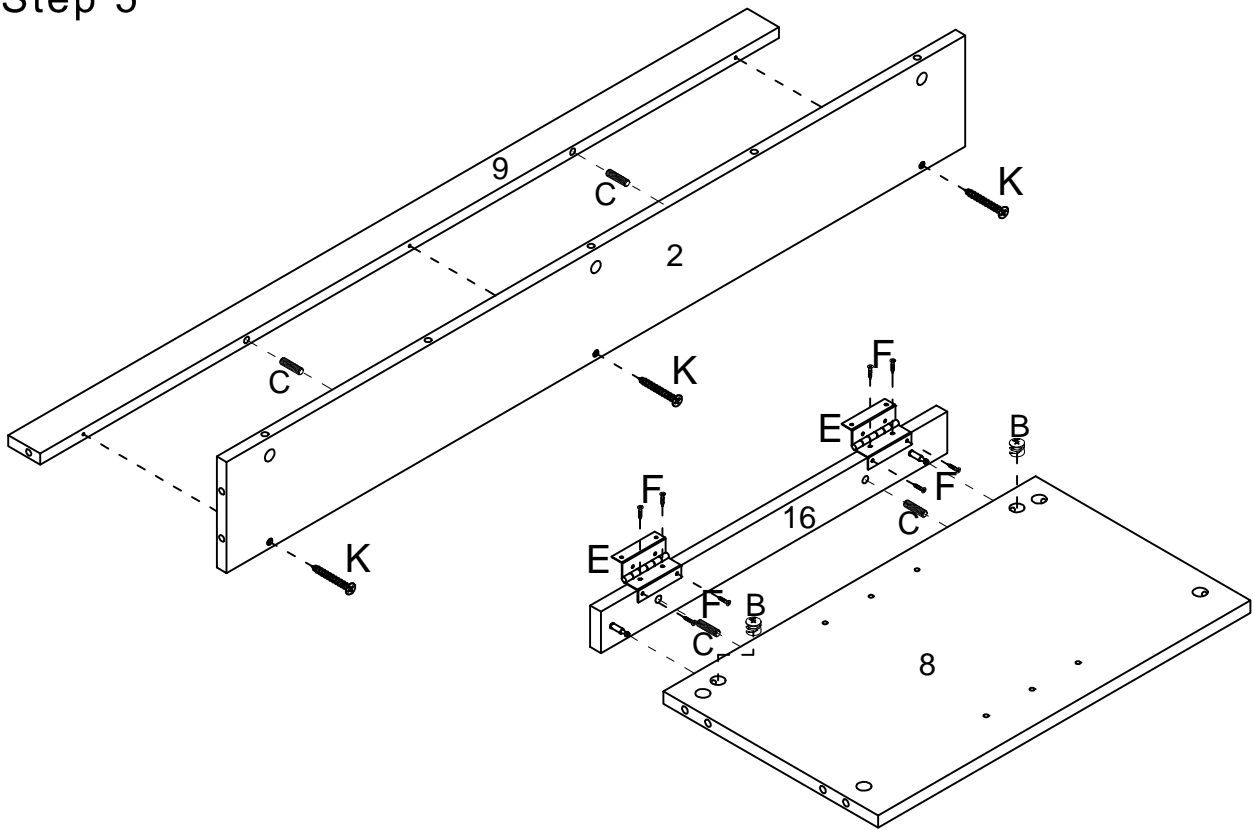
### Step 3



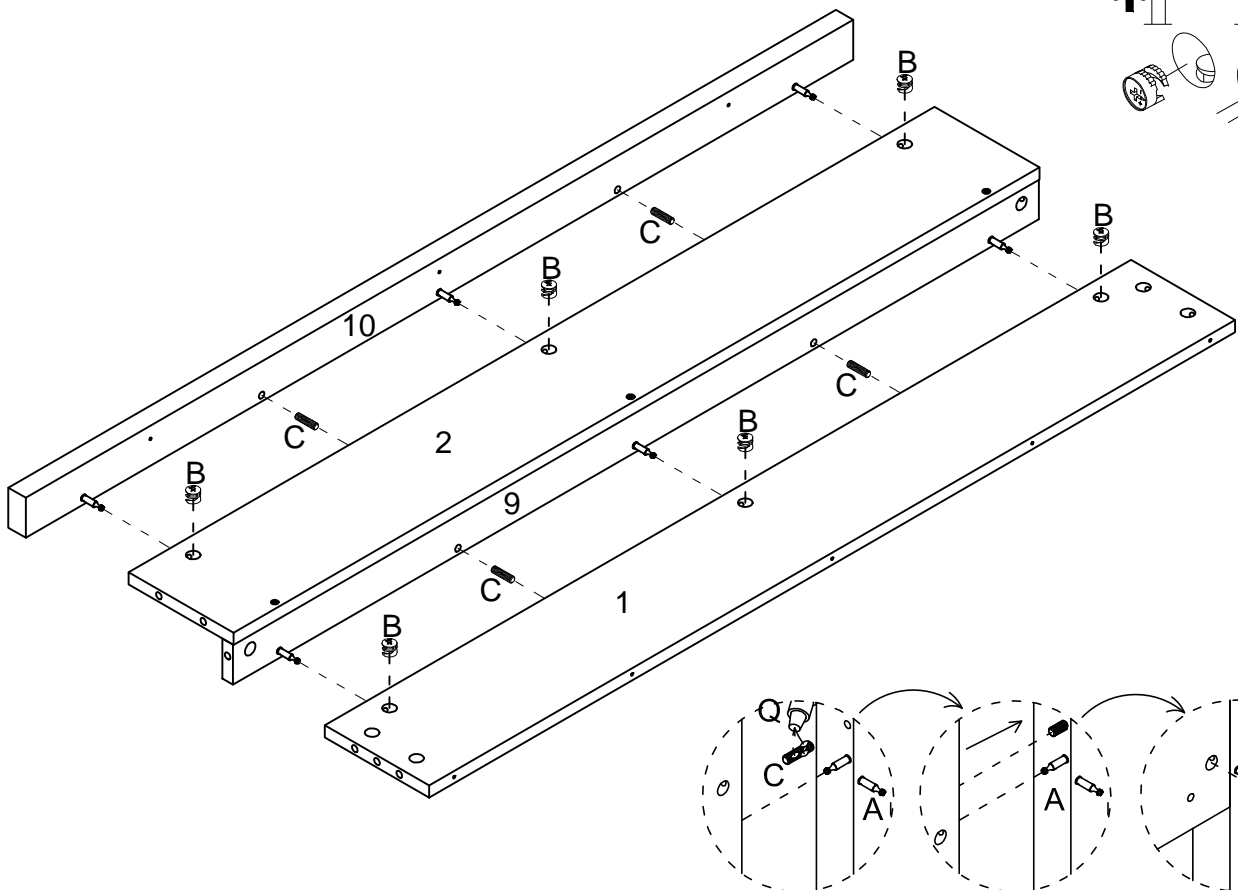
### Step 4



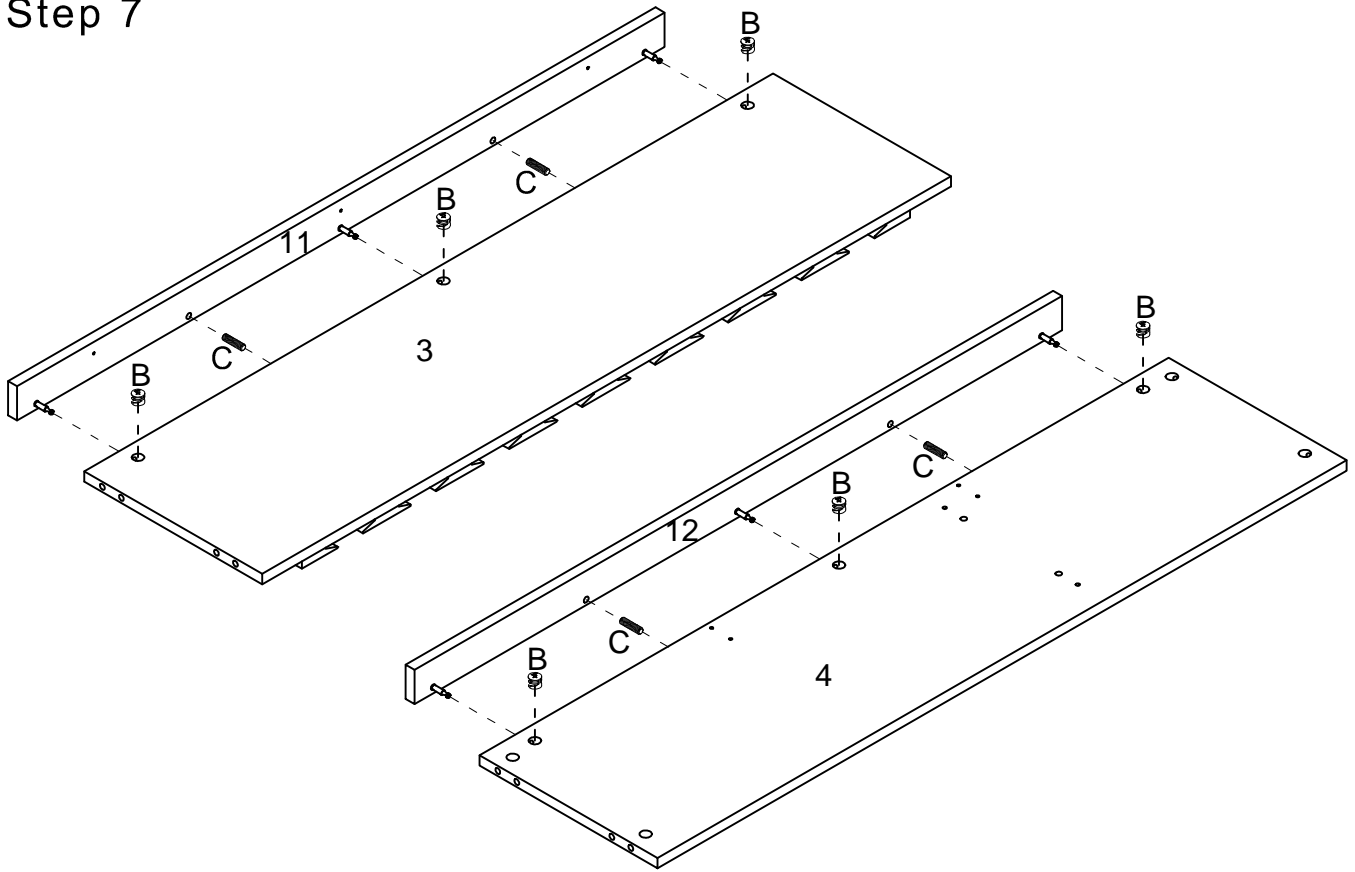
## Step 5



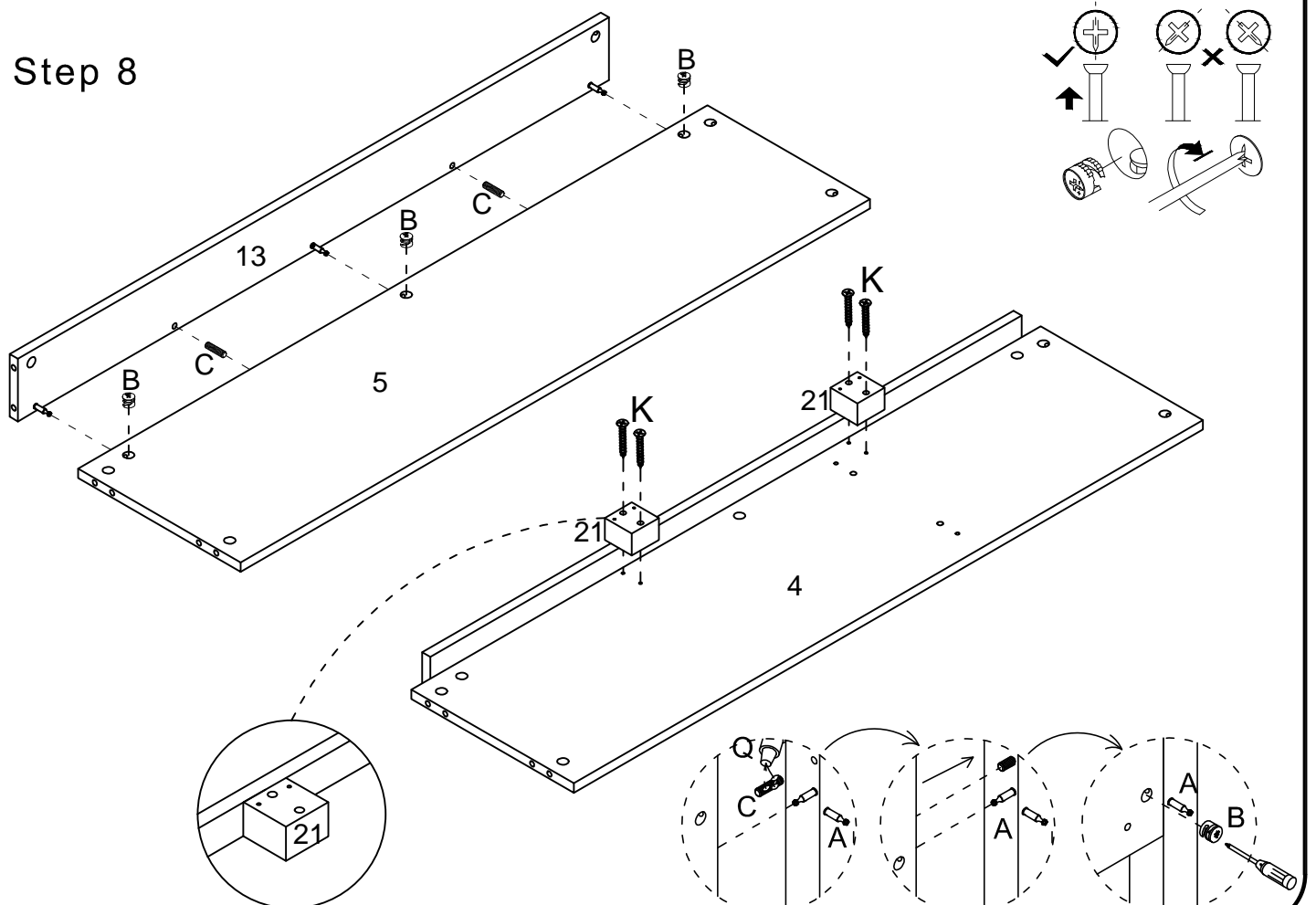
## Step 6



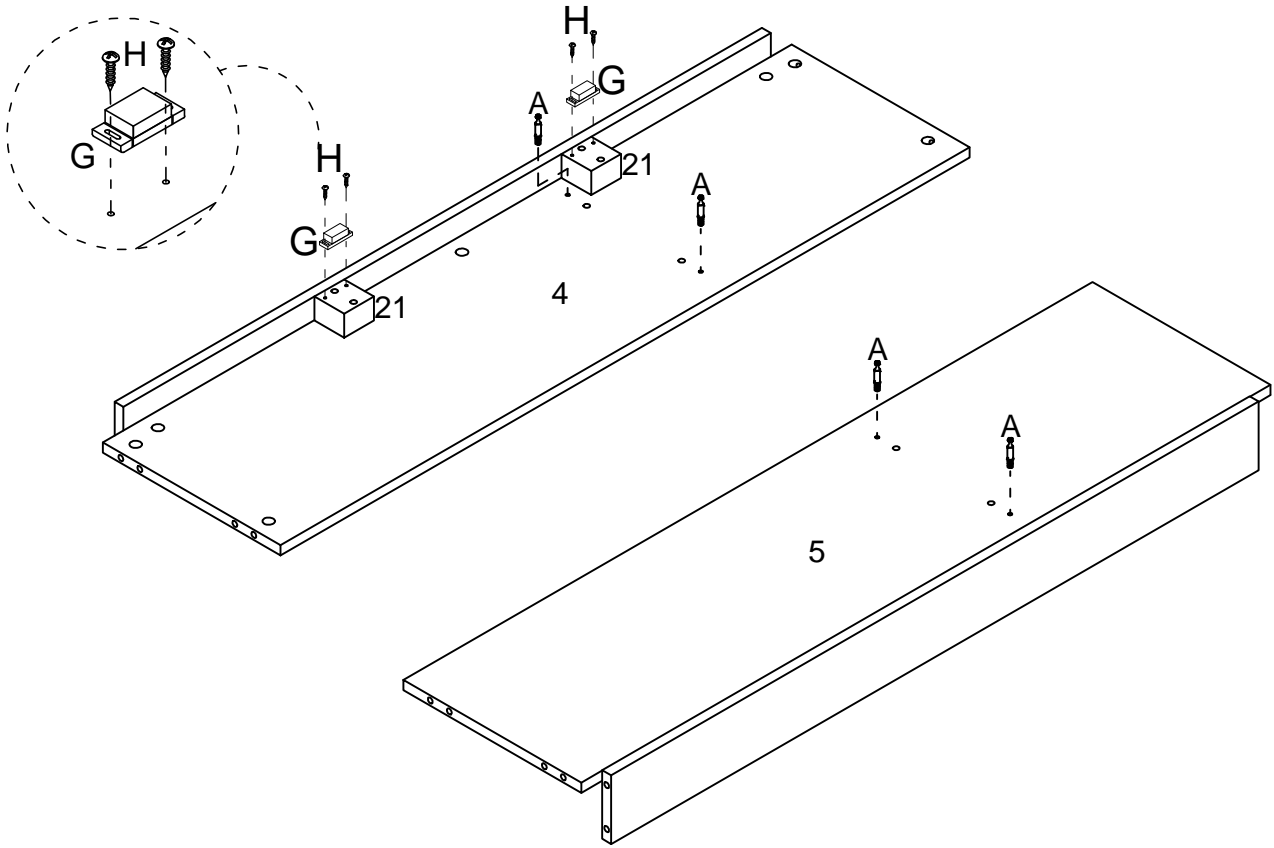
### Step 7



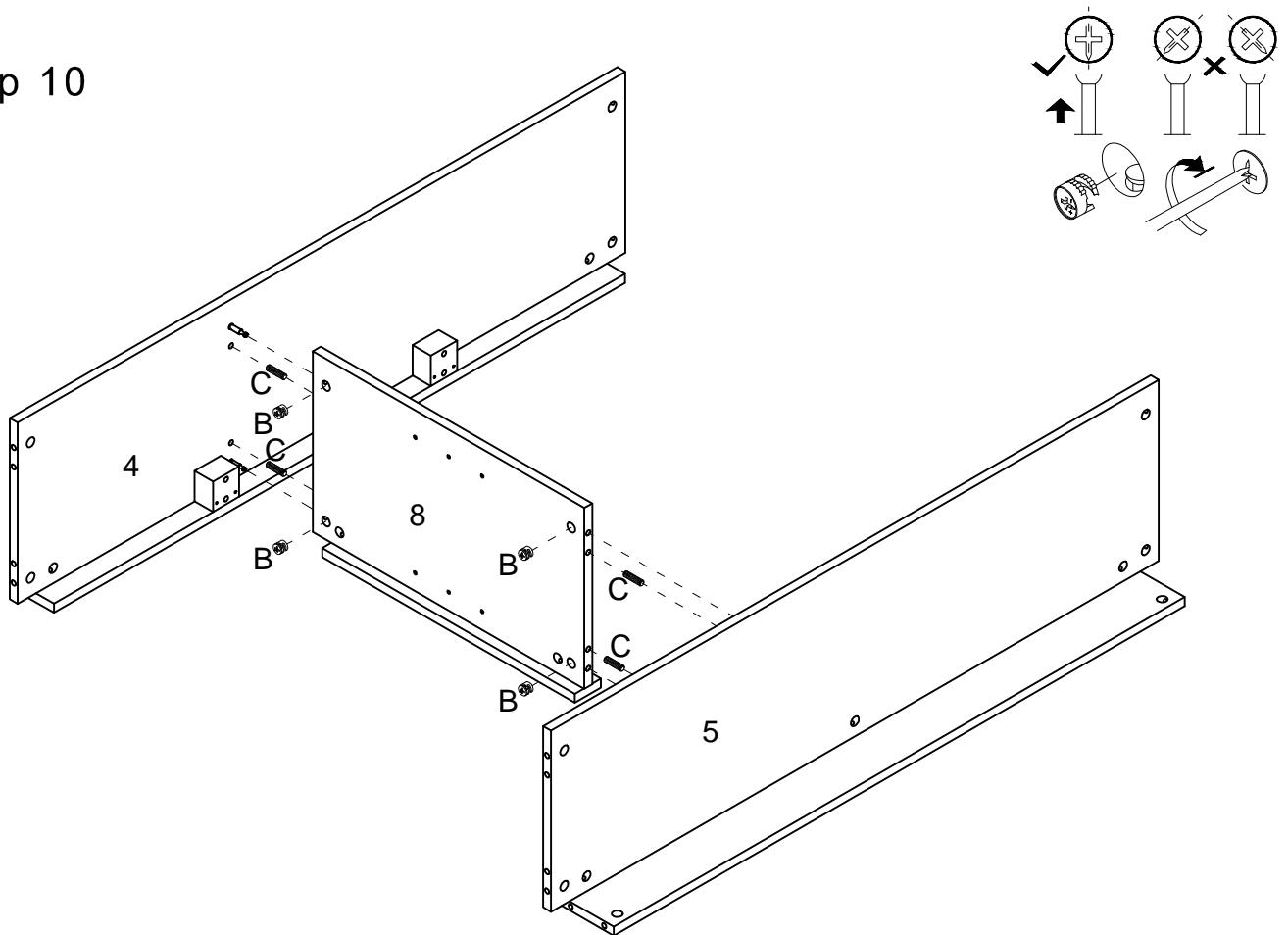
### Step 8



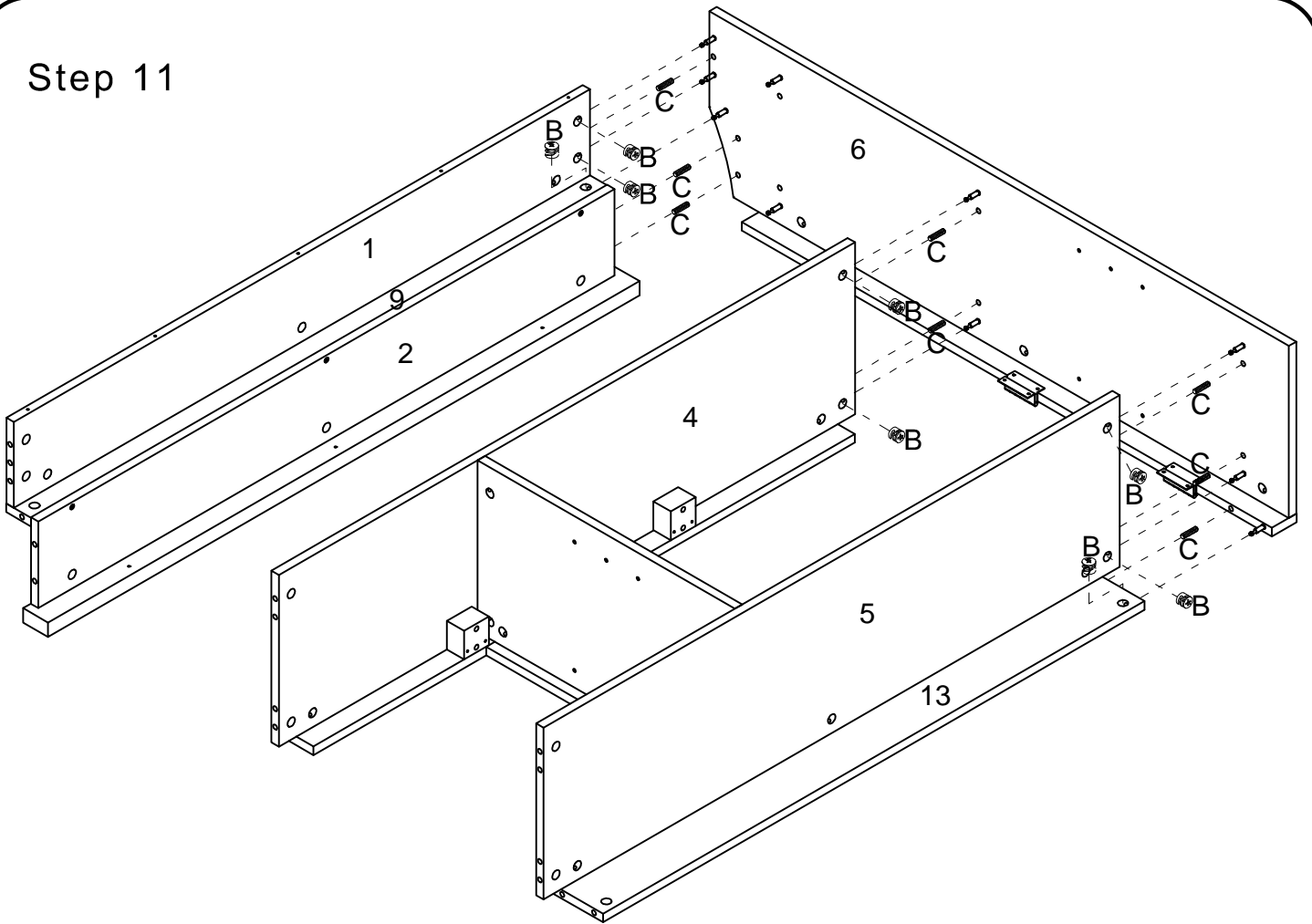
### Step 9



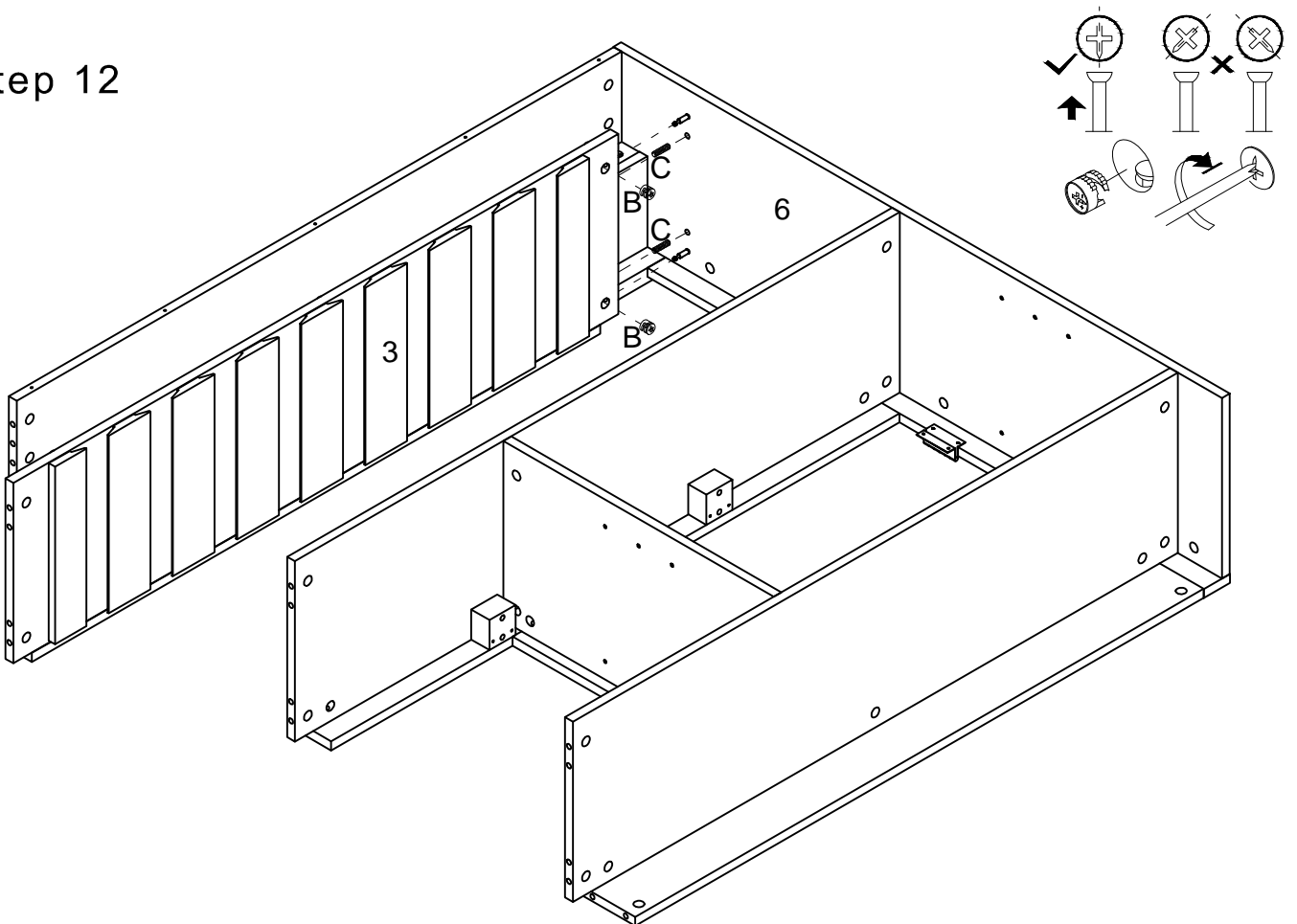
### Step 10



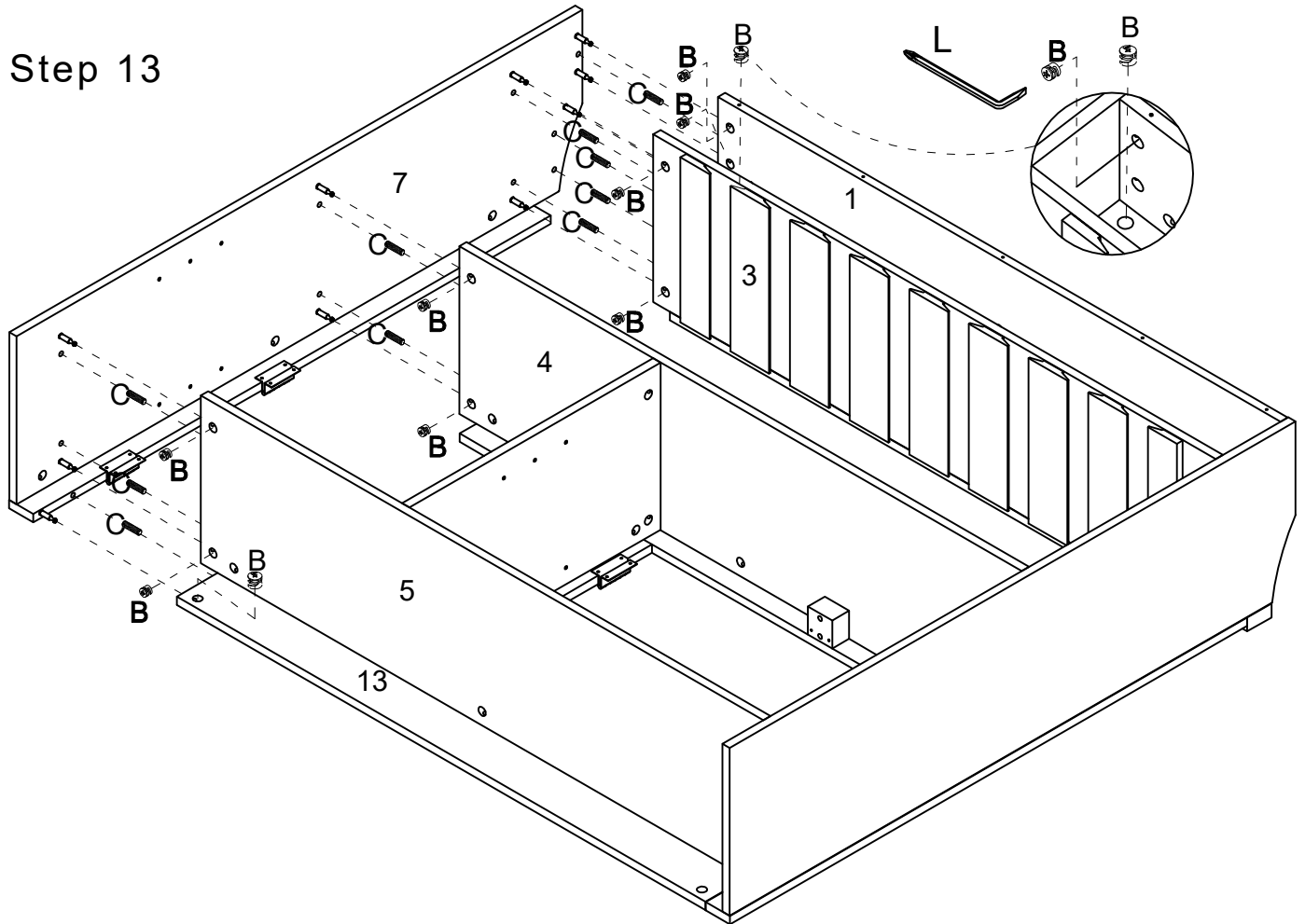
# Step 11



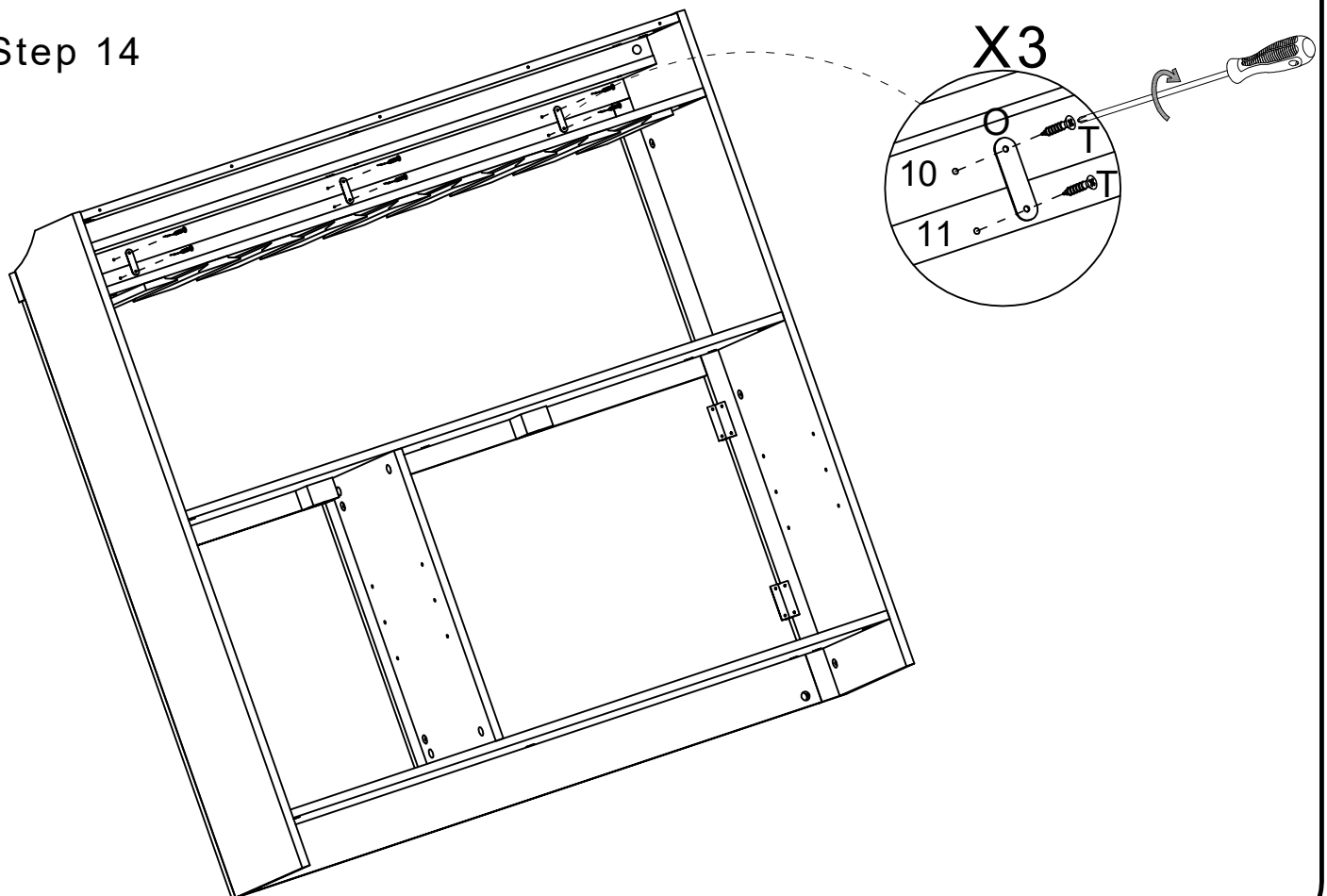
# Step 12



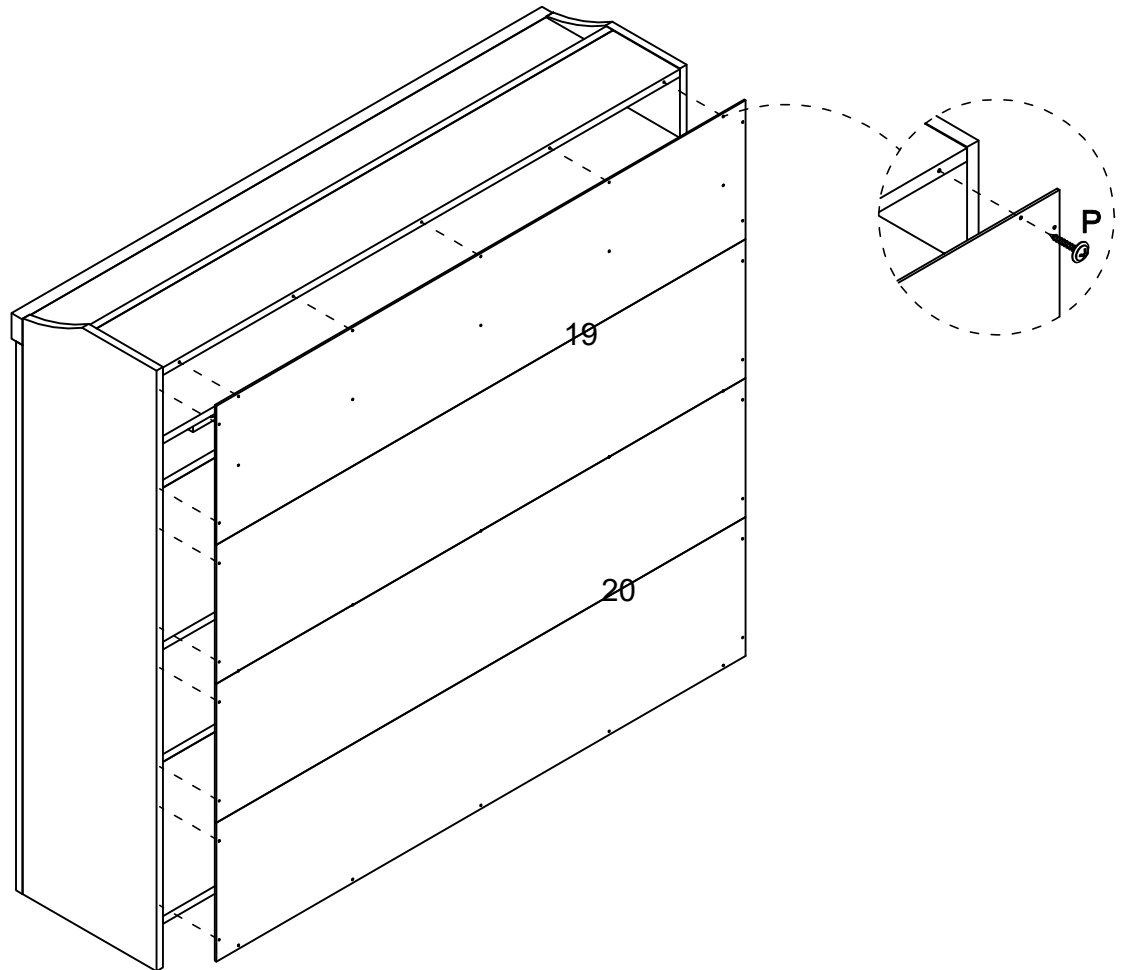
### Step 13



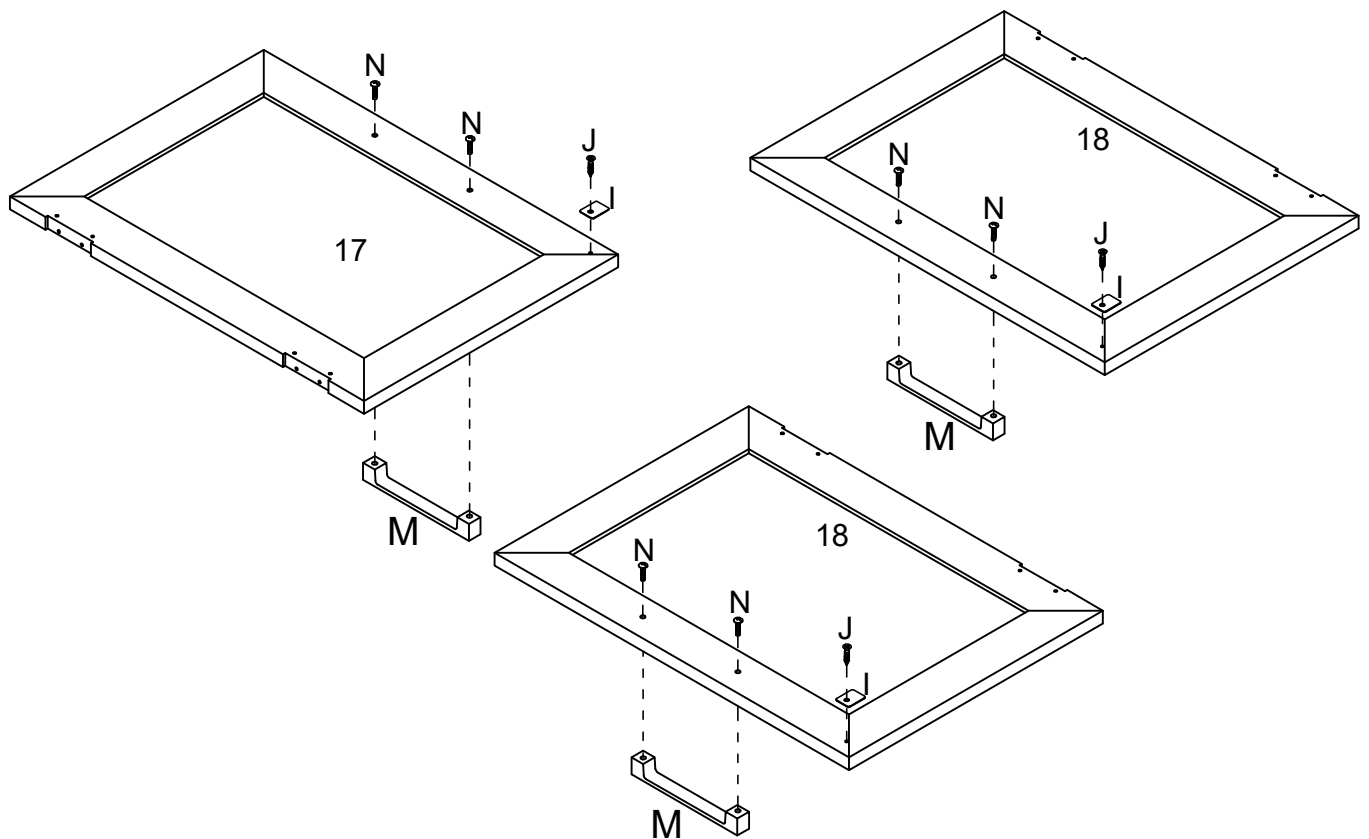
### Step 14



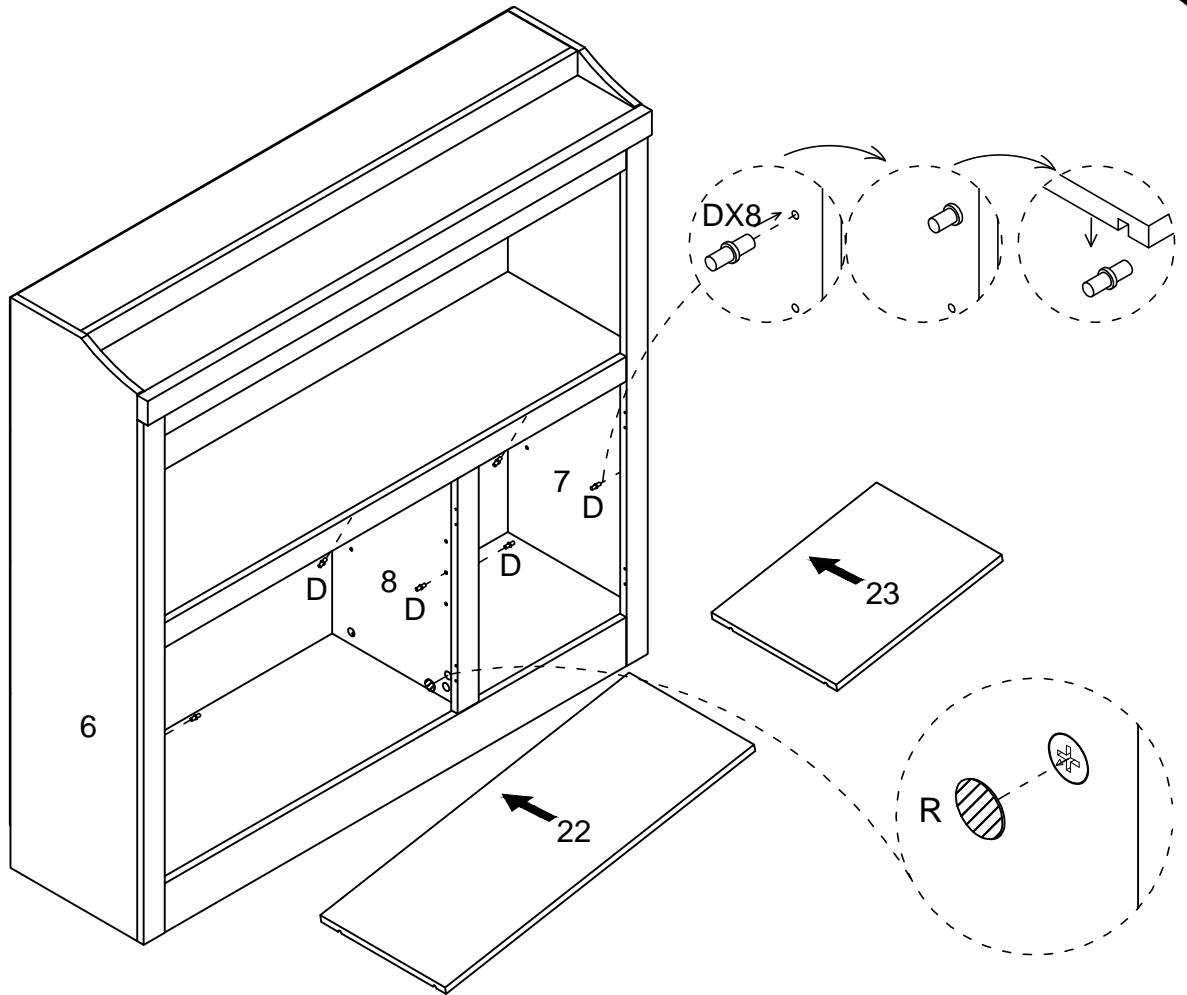
## Step 15



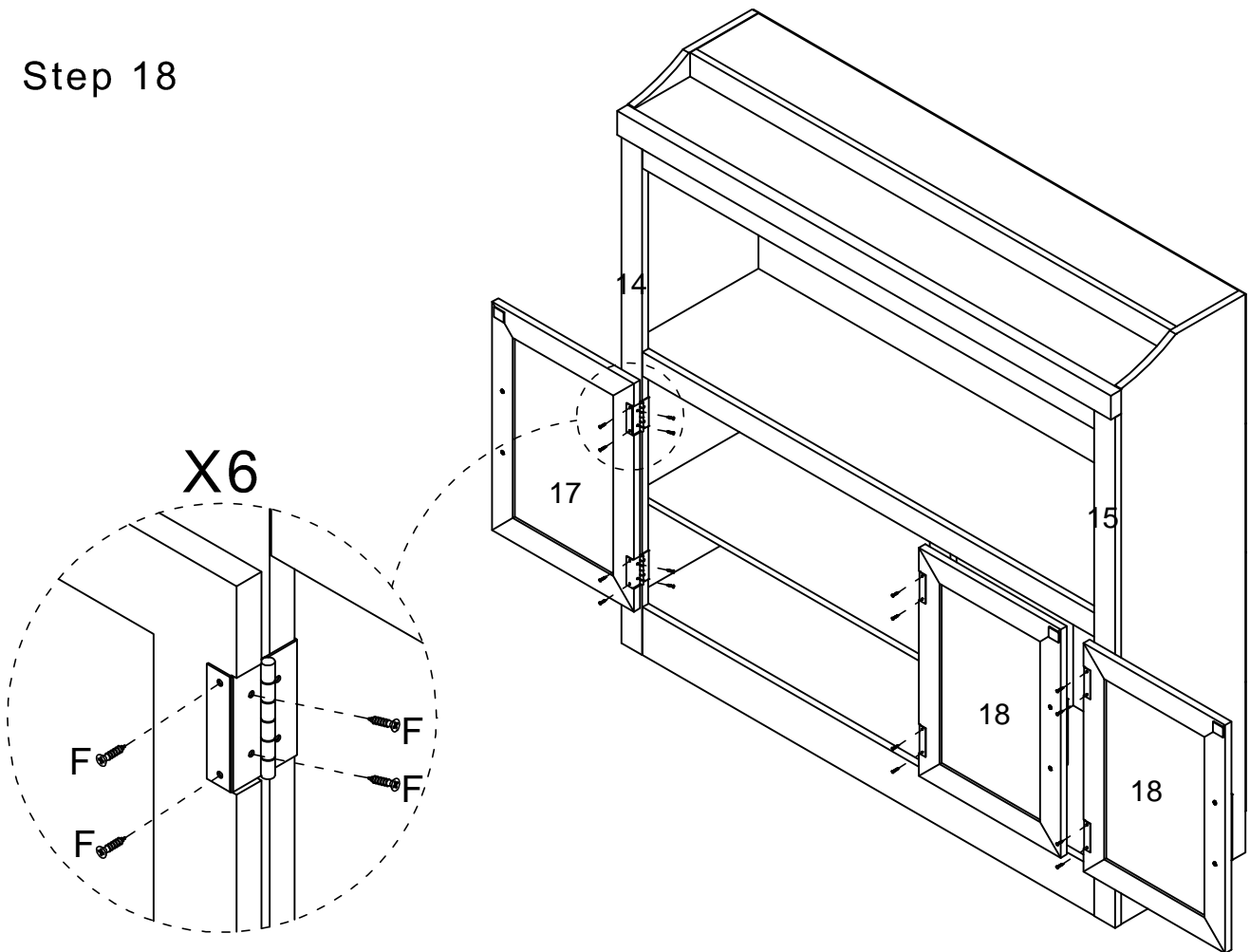
## Step 16



Step 17



Step 18



Step 19

