

BEVOi®

BEVTTW23

Universal Room Air Conditioner Wall Sleeve

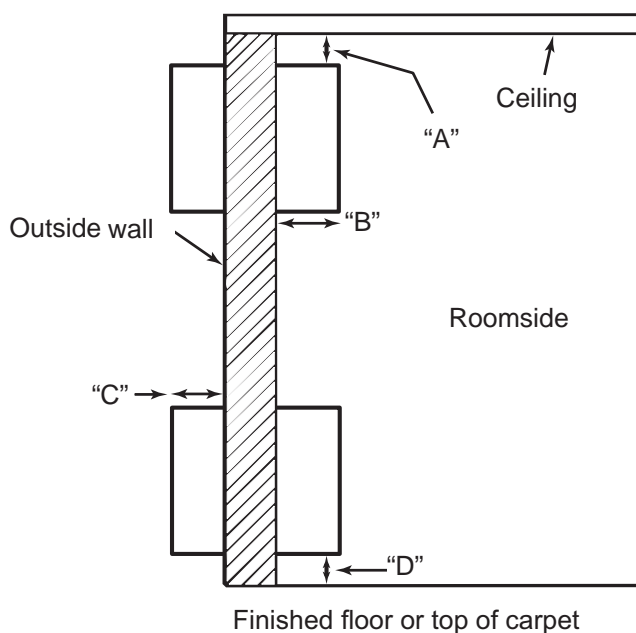
Before you begin - Read these instructions completely and carefully. **IMPORTANT – OBSERVE ALL GOVERNING CODES AND ORDINANCES.** Note to Installer – Be sure to leave these instructions with the Consumer. Note to Consumer – Keep these instructions with your Owner's Manual for future reference.

WALL SLEEVE LOCATION

As a general rule, the air conditioner should be located in an outside wall to ensure proper distribution of conditioned air. It should be located in a portion of the wall where there is no electrical wiring or plumbing, and where there are no obstructions immediately inside or outside.

NOTE: Handle the wall sleeve carefully.

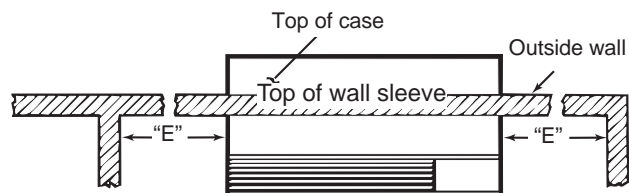
DIMENSIONS



NOTE: Care should be taken in location of electrical supply entry in relationship to wall sleeve to ensure access to power once the unit is installed.

Dimensions	Recommended Installation Clearance
A	Top of wall sleeve to finished ceiling - 3" min.
B	Projection of wall sleeve into room - 1/4" min. If more than 6" of wall sleeve projects into the room, other support is recommended
C	Projection of wall sleeve to outside - 1/4" min.
D	Height above finished floor or top of carpet - 0" min.
E	Left/Right side of wall sleeve to adjacent wall - 2" min.

INSTALL WALL SLEEVE LEVEL FROM SIDE TO SIDE AND WITH A SLIGHT TILT FROM FRONT TO REAR



NOTE: If an internal drain is to be used, install the wall sleeve level from side to side and level from front to rear.

Installation Instructions

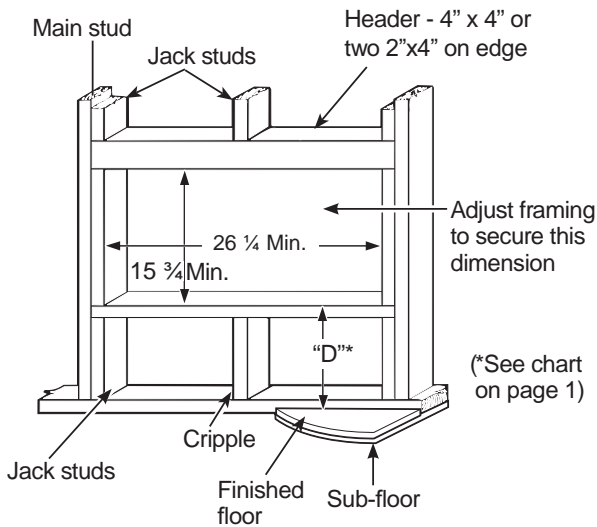
STEP 1: Preparation of the wall

The wall sleeve should be installed during construction and lintels should be used to support the block above the wall sleeve. The wall sleeve will not support the concrete block or brick. The wall sleeve is modular in height and width:

- Height – Fits 2 courses concrete block
 – Fits 6 courses standard brick
 – Fits 5 courses jumbo brick

Width – Fits approximately 2 stud spaces

For existing construction, wall openings must be made. Wall openings of the proper dimensions are essential to avoid the necessity of fillers or additional framing.



NOTE: Use lintel to support brick, block, etc., above the air conditioner wall sleeve. (If directly under a window sill, the use of a lintel may not be necessary.)

Minimum Finished Opening Dimensions*		Wall Sleeve Dimensions		
Height	Width	Height	Width	Depth
15 3/4"	26 1/4"	15 5/8"	26"	16 3/8"

*Dimensions may need to be increased to fit unique situations in the field if using wall sleeve angles.

STEP 2: Assemble Wall Sleeve

1. Set the bottom panel on a clean, flat, level surface.



2. Locate left side panel. Align panel in the left bottom panel slot. Fully insert the left panel into the bottom panel until all tabs lock completely.



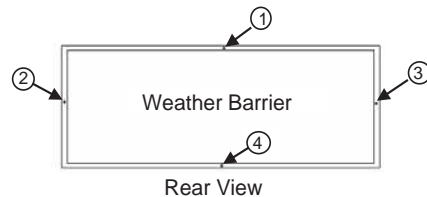
3. Locate right side panel. Align panel in the right bottom panel slot. Fully insert right panel into bottom panel until locking tabs lock completely.



4. Locate top panel and align with top of right and left side panels. Fully insert top panel into right and left side panels until locking tabs lock completely.



5. (If required) Locate weather barrier and attach to the rear of the assembled sleeve with four (4) supplied white push pins.



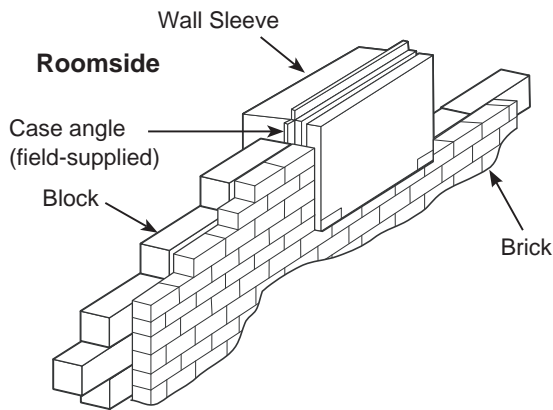
Installation Instructions

STEP 3: Preparation of the wall sleeve

If field-supplied wall sleeve angles are to be used and must be installed, proceed as follows:

1. Position the wall sleeve angles around the top and sides of the at the desired location (front and rear) with angles facing toward rear (outside). Position the angles vertically on each side of the to provide a level installation.
2. Mark the through the holes in the angles.
3. Drill 5/32" diameter holes at marked locations on the wall sleeve and assemble the angles using only 10x1/2" screws. Install the screws from the outside of the wall sleeve.

NOTE: Do not drill any holes in bottom of the wall sleeve.



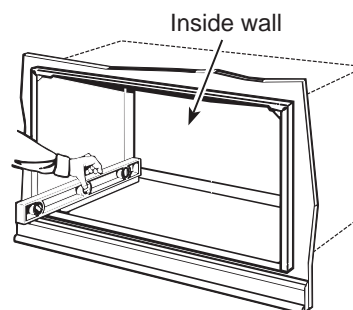
STEP 4: Installation of the wall sleeve in the wall opening

1. Position the wall sleeve into the wall. Refer to chart on page 1 for roomside projection. The rear (outside) edge of the wall sleeve should extend at least 1/4" beyond the outside wall to be able to caulk properly and prevent sealing the drain holes in the rear flange of the wall sleeve, and to facilitate easy installation of an accessory drain, if desired. (If it is desired to have the rear grille flush on the outside, a drip rail must be installed under the wall sleeve and caulking applied between the drip rail and wall sleeve.)

IMPORTANT:

Install wall sleeve level from side to side with a slight tilt from front to rear. Use a level; no more than a 1/4" bubble will be the correct wall sleeve slant to the outside.

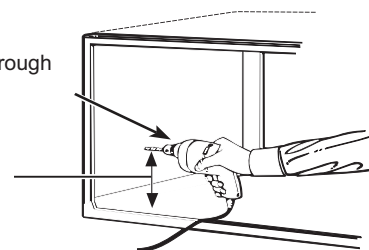
For an internal drain, install level from front to rear.



2. Firmly secure the wall sleeve to the wall structure by drilling holes in the appropriate location. Do NOT drill any holes in **the bottom of the wall sleeve**. Use appropriate screws, lag bolts, etc. to attach the wall sleeve to the wall structure.

Secure wall sleeve through side and / or top only

2" min. from wall sleeve bottom



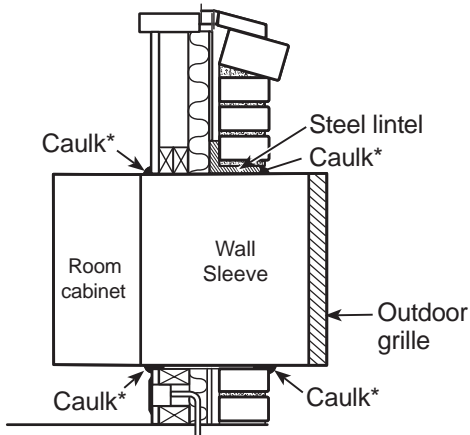
Use a lintel, when required to support brick and block above the wall sleeve.

NOTE: Do not drill any holes in the wall sleeve for electrical connections.

Installation Instructions

STEP 5: Weatherproofing

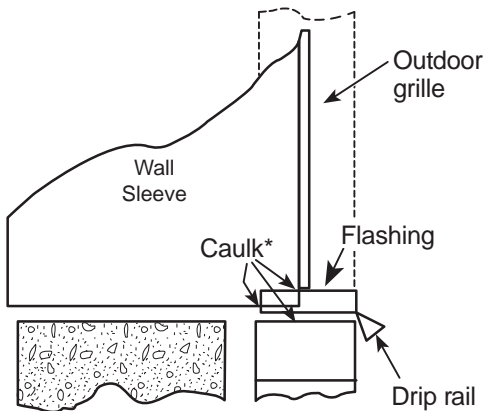
Weatherproof gaps between the exterior and interior walls and the wall sleeve with caulking or equivalent weatherproofing material.



***NOTE:** It is critical to caulk around the perimeter of the wall sleeve on all four sides and on the outside and the roomside where it joins the building to prevent air and water infiltration.

For installation in extra thick walls

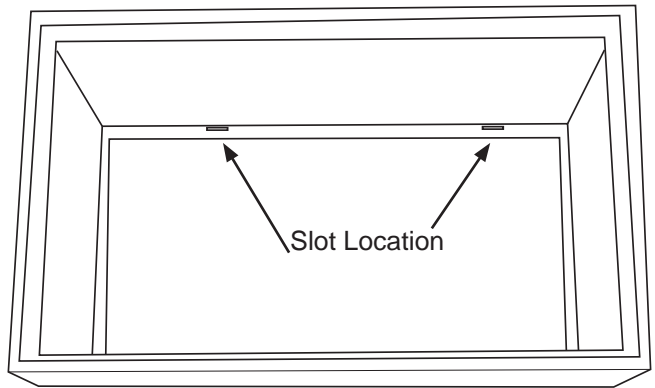
1. The wall sleeve should not be installed in a thick wall where the wall sleeve is recessed more than 3".
2. If the wall sleeve is being installed in a wall where the recess is 3" or less, flashing must be installed under the wall sleeve and extend up 2" on each side. The flashing must include a drip rail as illustrated in the figure below.



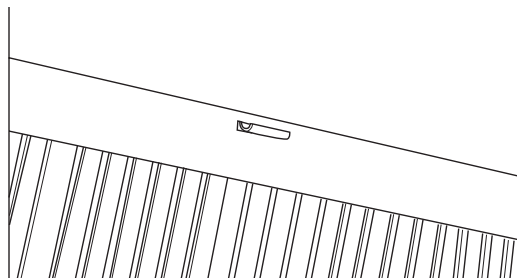
***NOTE:** It is critical to caulk around perimeter of wall sleeve on all four sides where it joins the building to prevent air and water infiltration.

STEP 6: Installing the Grille

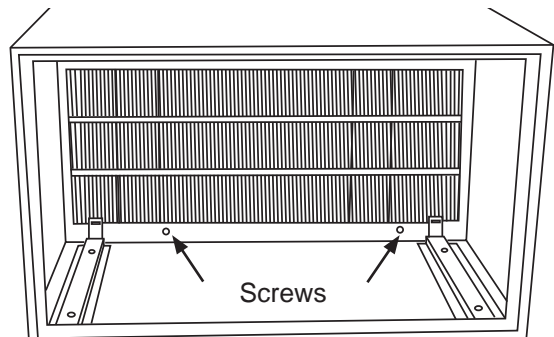
1. Make sure that the grille edge facing up has two tabs sticking up.
2. Using the ribbon to hold the grille, place the grille completely through the cabinet so that it is outside. Angle the grille so that the top edge is against the top flange of the wall .



Insert tabs on top of the grille into two slots on the top rear flange. Make sure that both tabs are through the slots and visible inside the .



3. Line up the two plastic grommets in the bottom of the grille with holes in the bottom rear flange of the . Secure with the two included screws from the inside.



4. Remove the ribbon from the grille.