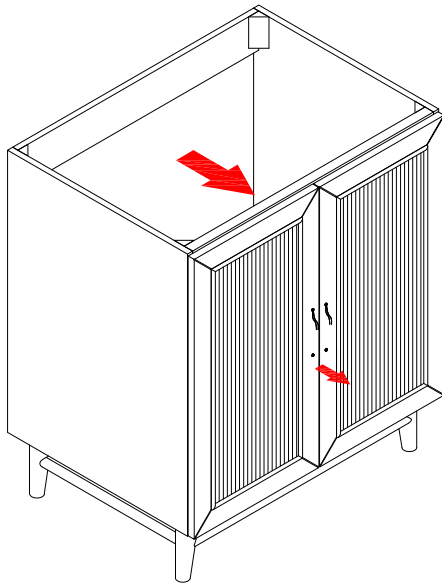


Install Handles

SUN30115

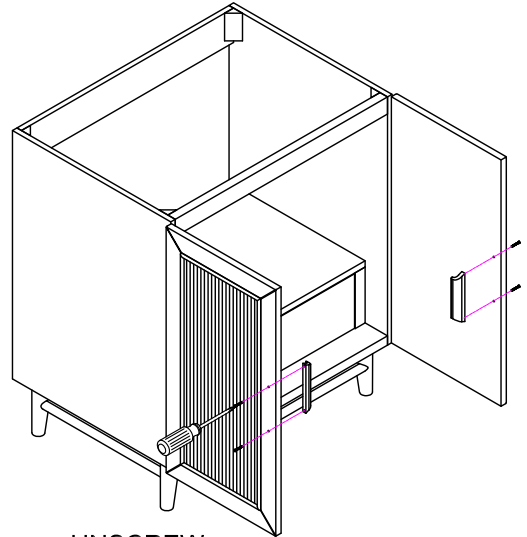
STEP 1



Please first use the rope on the screw to open the door, or push down the door from the back panel hole to open it.

STEP 2

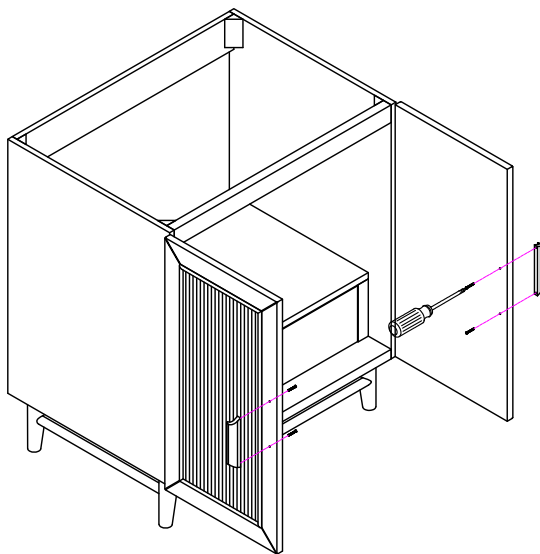
Screw Driver



UNSCREW

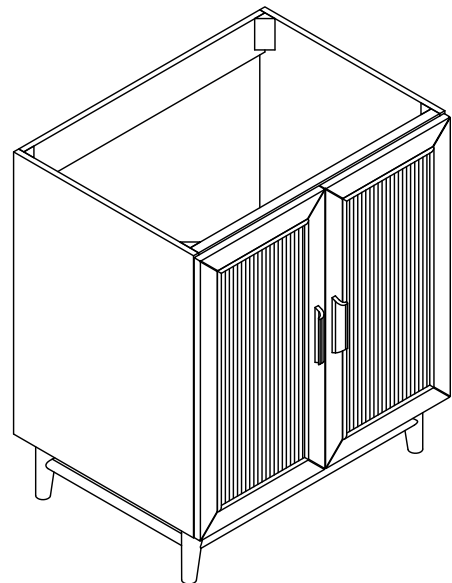
STEP 3

Screw Driver



INSTALL HANDLES

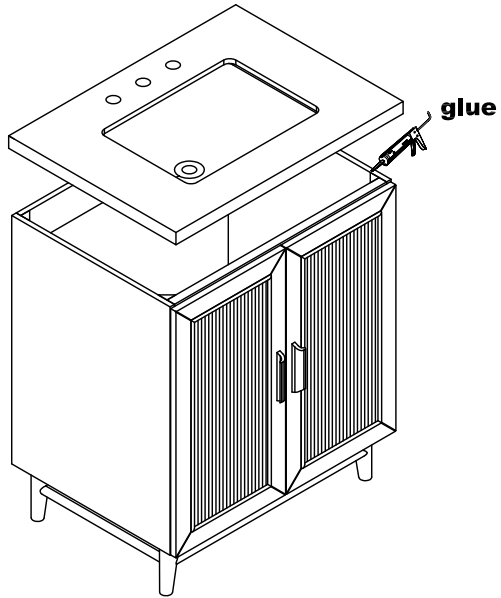
STEP 4



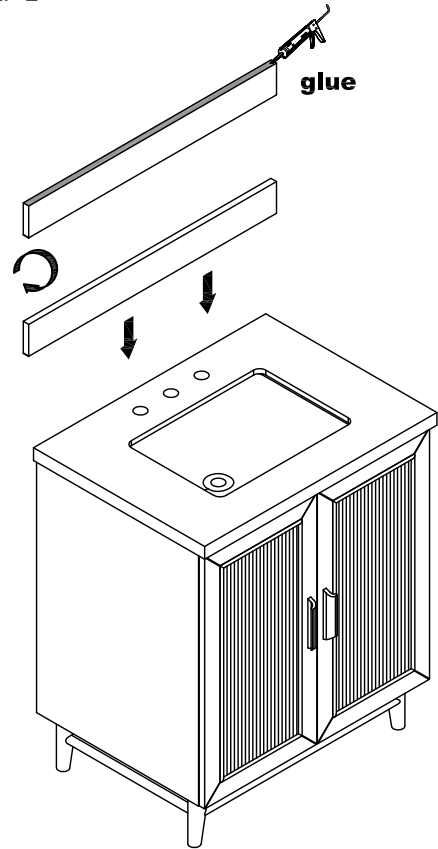
Install Basin and Backsplash

SUN30115

STEP 1

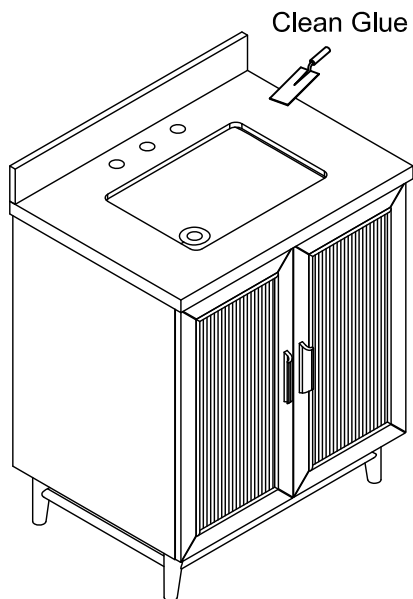


STEP 2



STEP 3

 24H!



STEP 4

