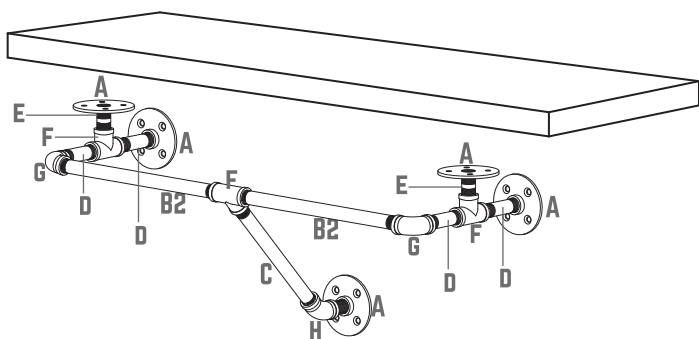


24" AND 36" PIPE WARDROBE RACK KIT WITH WOOD SHELF

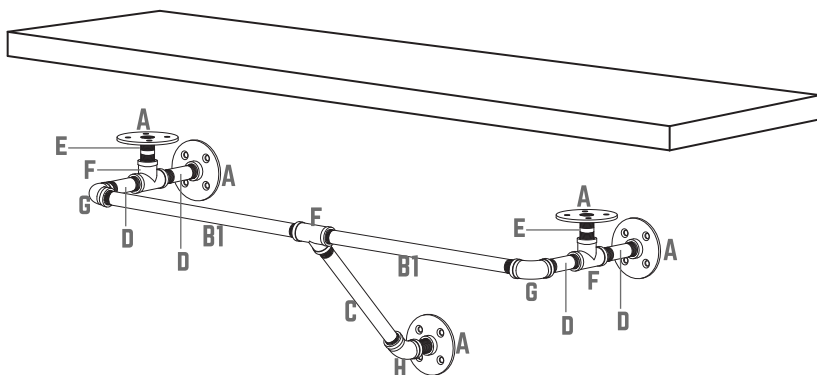
NEED HELP OR ADVICE ON PUTTING THIS KIT TOGETHER? MISSING PIECES?
EMAIL US AT HELP@PIPE-DECOR.COM FOR ANY QUESTIONS

24" SHELF



| PART | DESCRIPTION | QTY |
|------|-----------------------------------|-----|
| A | 1/2" FLANGE | 5 |
| B1 | 1/2" X 12" NIPPLE (for 36" Shelf) | 2 |
| B2 | 1/2" X 8" NIPPLE (for 24" Shelf) | 2 |
| C | 1/2" X 10" NIPPLE | 1 |
| D | 1/2" X 4" NIPPLE | 4 |
| E | 1/2" X 2" NIPPLE | 3 |
| F | 1/2" TEE | 3 |
| G | 1/2" X 90° ELBOW | 2 |
| H | 1/2" X 45° ELBOW | 1 |
| I | WOOD SCREWS | 8 |
| J1 | 36" WOOD SHELF (for 36" Shelf) | 1 |
| J2 | 24" WOOD SHELF (for 24" Shelf) | 1 |
| K | DRYWALL MOUNTING SCREWS | 12 |
| L | DRYWALL MOUNTING ANCHORS | 12 |

36" SHELF



HOW TO PREVENT PIPE CORROSION

PIPE DECOR industrial-grade black pipes and fittings are coated with a rust-preventive oil during manufacturing. For best results, **SEAL THE PIPES TO AVOID ANY RUSTING** after cleaning the kit.

CLEAN AND SEAL INSTRUCTIONS:

Recommended supplies: regular degreasing dish soap, washcloths, gloves (optional)

1. Wash your pipes and fittings with warm water and dish soap until the oil is completely removed.
2. Wipe the pipes with a dry washcloth and wait until the pipes are completely dry.

IMPORTANT: THE PIPES MUST BE COMPLETELY DRY BEFORE YOU START THE SEALING PROCESS.

SEALING WITH POLYURETHANE SPRAY:

Spray each dry pipe and fitting with a polyurethane matte or satin finishing spray and let it dry before assembling the kit.

SEALING WITH FINISHING WAX:

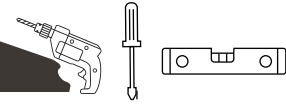
Coat each dry pipe with a finishing wax. Wait for 20 minutes, then polish the pipes with a dry washcloth by wiping them down. Faster wiping will result in a shinier finish.

RESTORE PIPE DECOR®

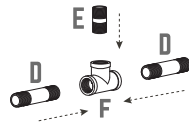
24" AND 36" PIPE WARDROBE RACK KIT WITH WOOD SHELF

EASY INSTALLATION:

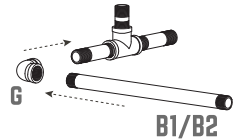
RECOMMENDED TOOLS FOR INSTALLATION



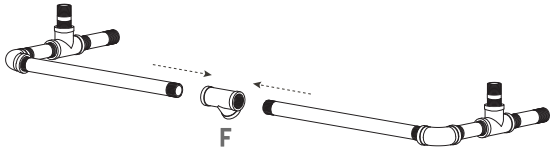
Step 1: Install the two 4" nipples (D) on the left and right sides of the tee (F), and then install the 2" nipple (E) on the other side of the tee. Repeat this step on the other side.



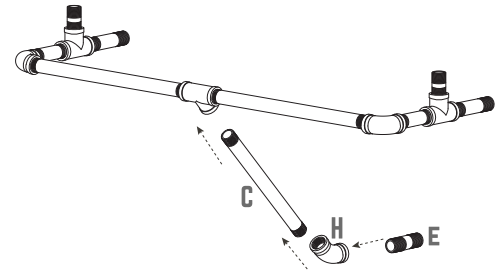
Step 2: Install the 90° elbow (G) as shown in the figure on the right, then install the 12" nipple (B1) or 8" nipple (B2) onto the 90° elbow (G). Repeat this step on the other side.



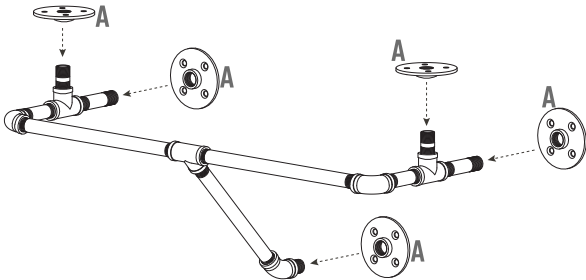
Step 3: Connect the tee (F) to the other side of the assembled 12" nipple (B1) or 8" nipple (B2) as shown below.



Step 4: Attach 10" nipple (C), 45° degree elbow (H) and 2" nipple (E) on the other side of tee as shown in the figure to the right.



Step 5: Install the 5 different flanges (A) to their respective positions as shown in the figure below.



Step 6: Mount the assembled shelf to drywall with or without studs.

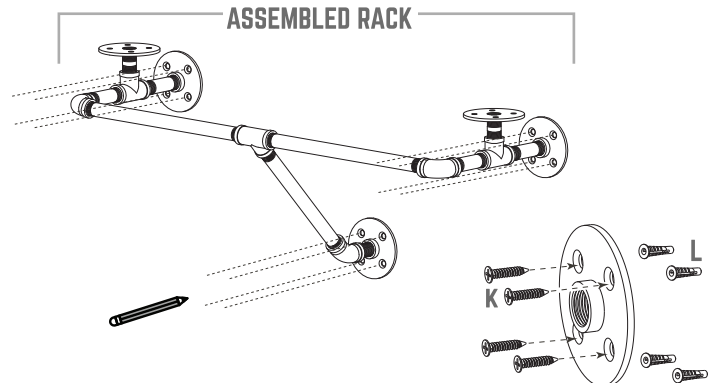
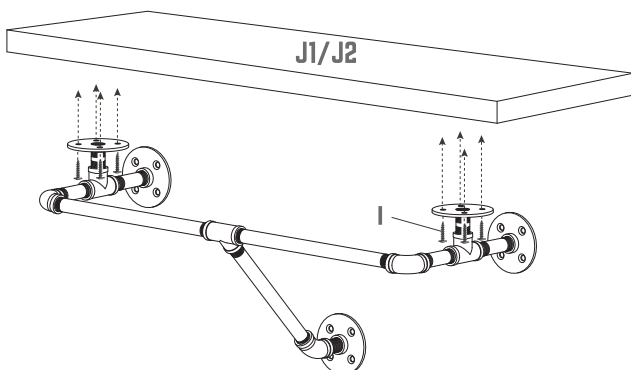
Mounting to wall (on wall stud):

1. Once you locate the wall stud, align the assembled bracket to the desired location on the wall, and mark with a pencil where the drywall screws (K) will be inserted.
2. Screw the drywall screws (K) into the marked locations and tighten them.

Mounting to wall (if no wall stud is present):

1. Align the assembled bracket to the desired location on the wall, mark with a pencil where the drywall screws (K) will be inserted.
2. Remove the bracket, drill pilot holes in the marked holes to the wall using 1/4" drill bit.
3. Then push the drywall anchors (L) into the hole and screw in with a screwdriver until it is flush with the wall.
4. Realign the assembled bracket to the wall, screw the drywall screws (K) into the screw holes and tighten them.

Step 7: Use the provided wood screws (I) to attach the wood shelf to the assembled shelf as shown below.



Mounting to wall
(if no wall stud is present):