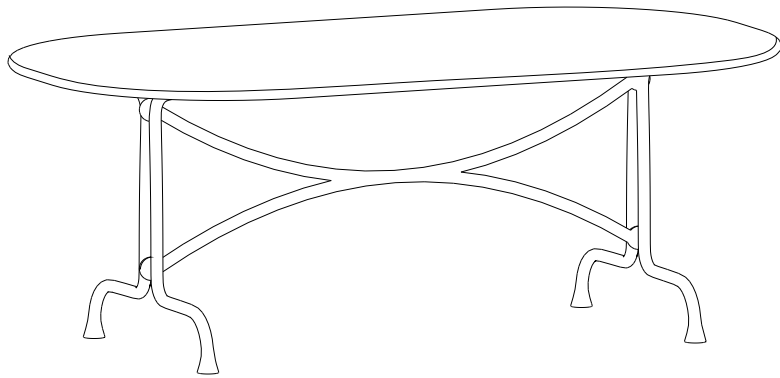

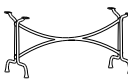



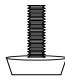


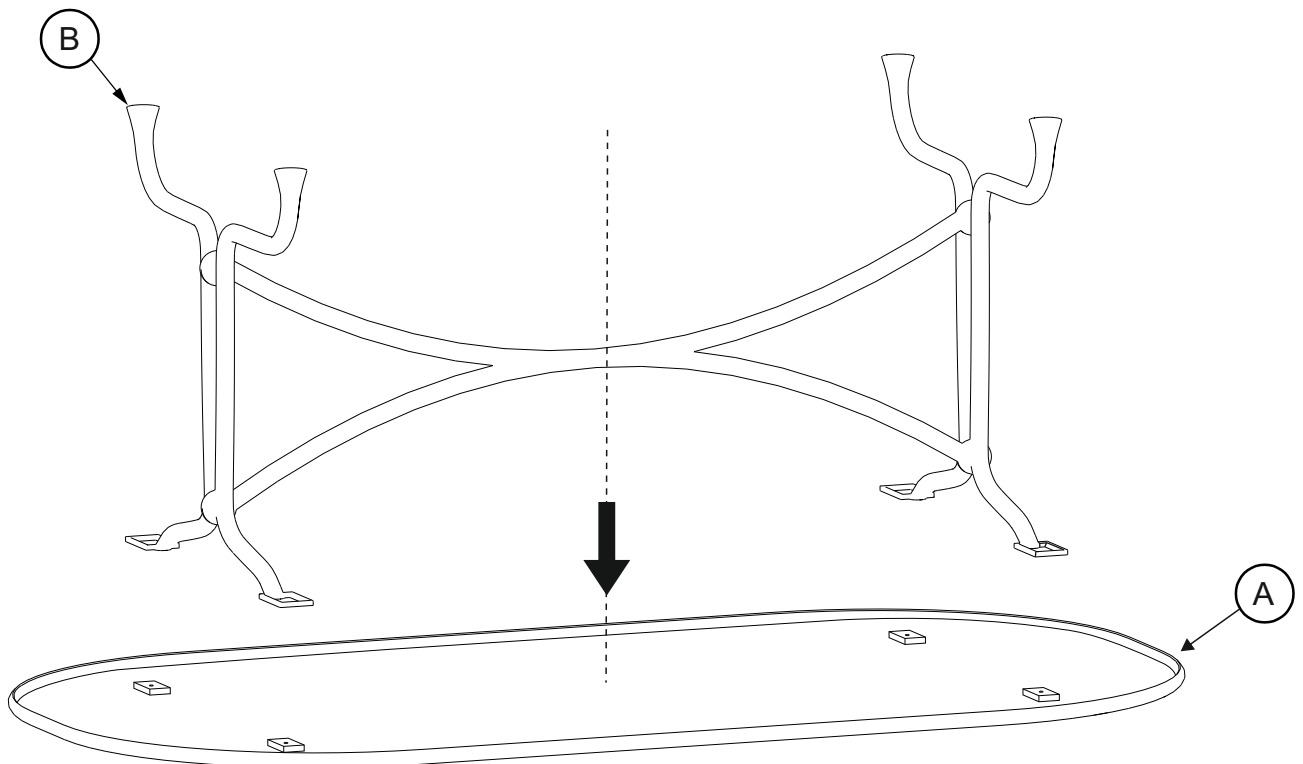
ASSEMBLY INSTRUCTION FOR

LENOIR OUTDOOR DINING TABLE

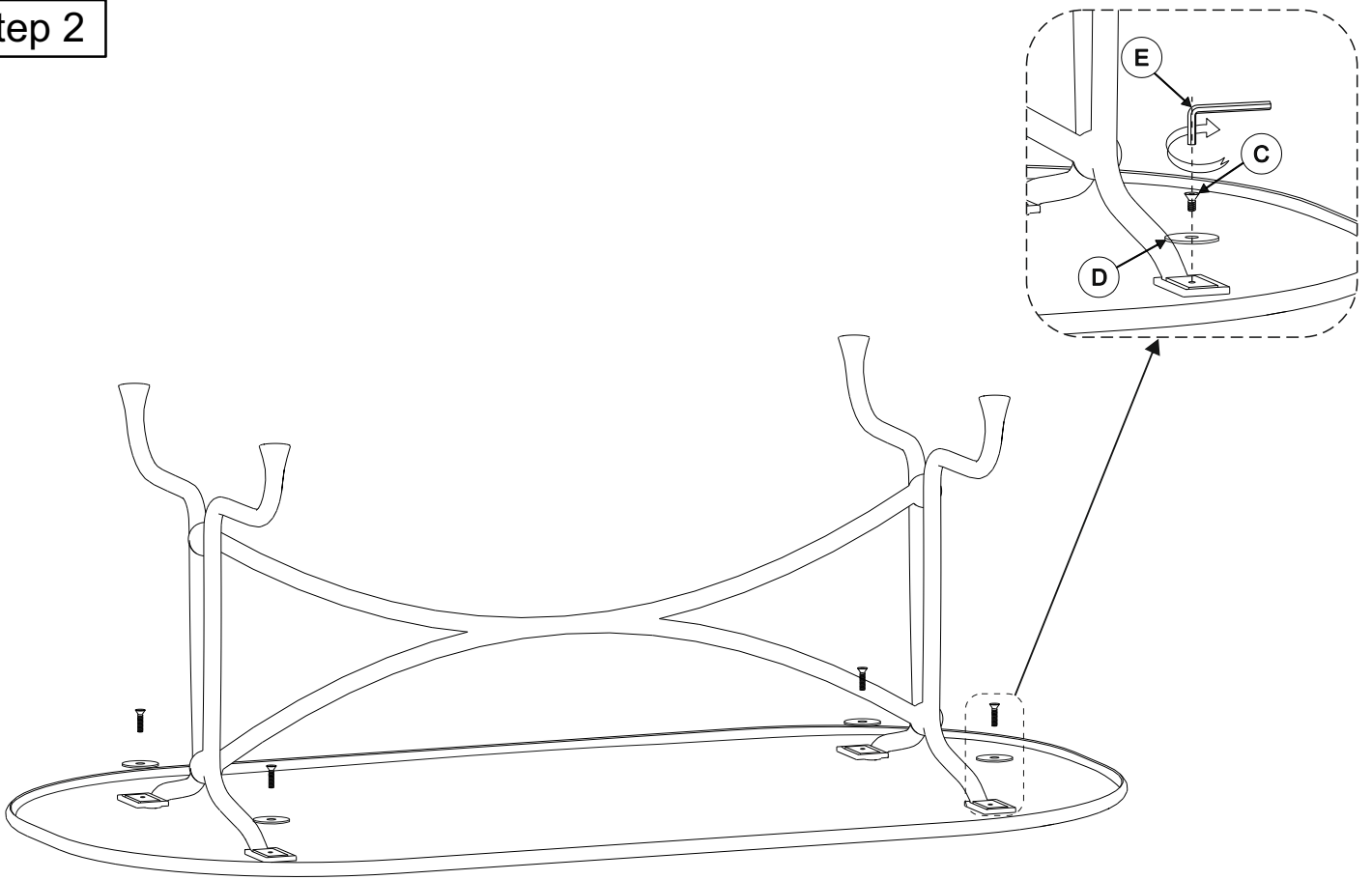


HARDWARE LIST

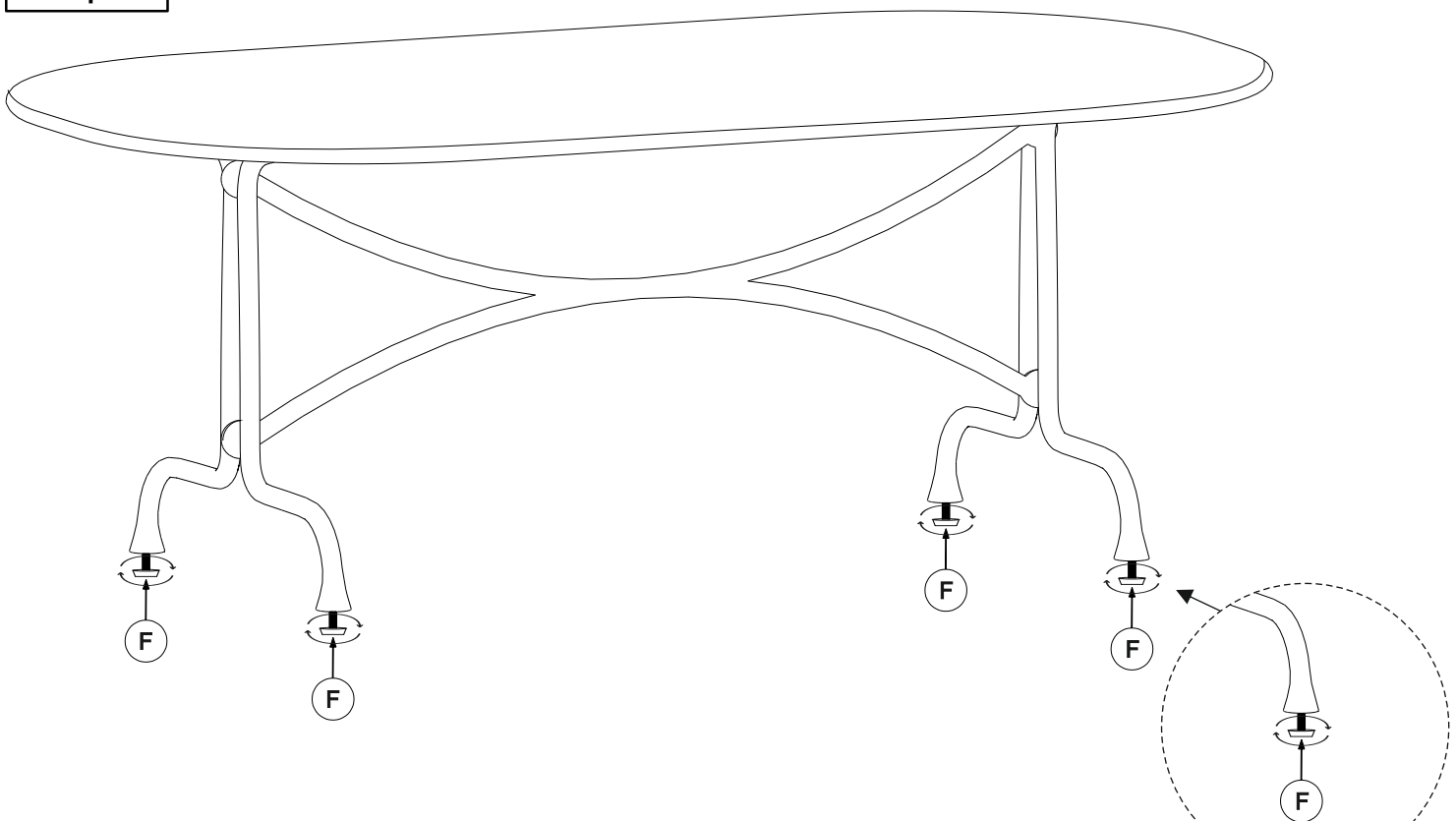
HARDWARE LIST				
A		TOP	1930x1067 26 mm.	1
B		BASE	1372x737 749 mm.	1
C		SCREW	Ø18x9mm	5
D		WASHER	Ø52x2mm	5
E		HEX KEY	80x30mm	1
F		LEVELER	Ø20x24mm.	4



Step 2



Step 3



ADJUSTABLE LEVELER FOR
BALANCE TOP