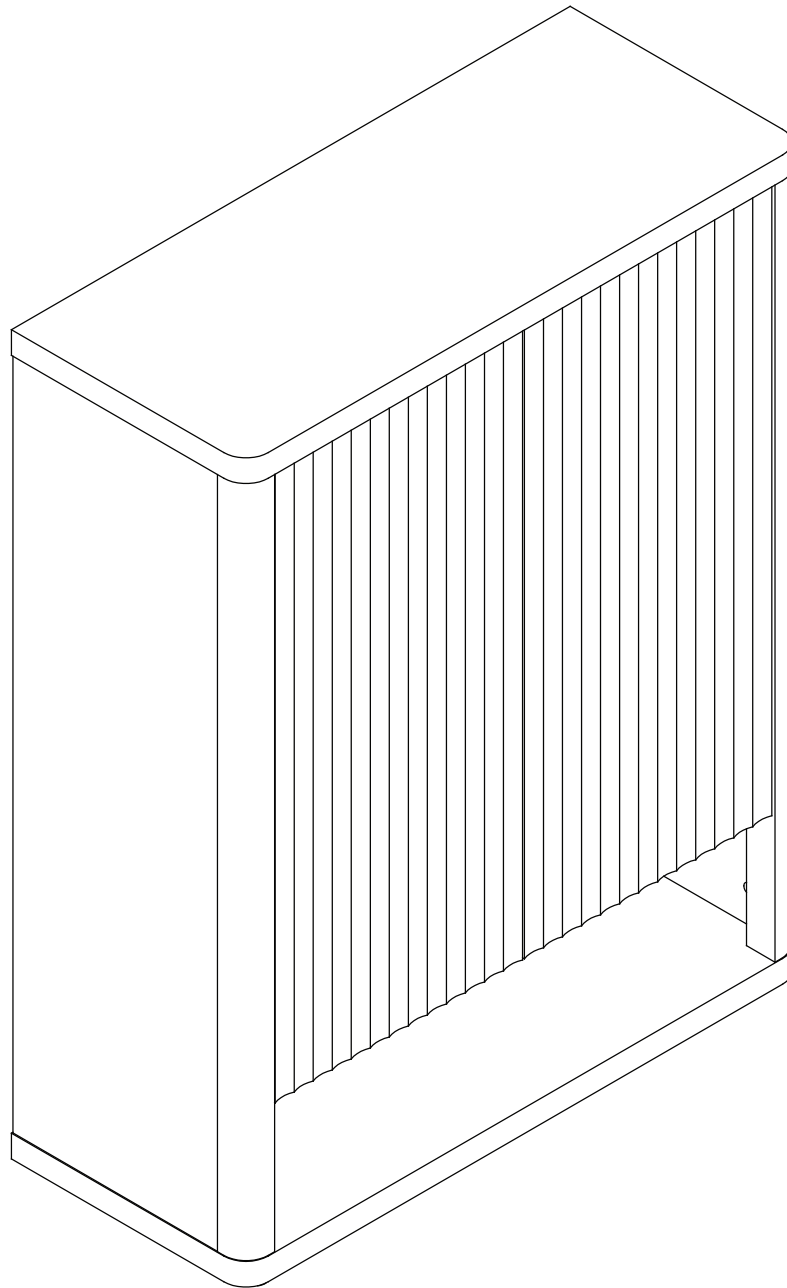


Installation & Assembly



Assembly Instructions

Before beginning the assembly process, please read and save these instructions for reference. Following these guidelines will ensure a smooth and successful assembly of your product.

1. Part Identification:

Carefully separate and identify all the parts included in your package. Confirm that you have all the components listed in the instruction manual. This step will help you avoid any missing or misplaced parts during assembly.

2. Work Surface:

To prevent any scratches or damage to the product, assemble it on a soft mat or a similar protective surface. This will provide a cushioned area for the components and protect the surfaces from unwanted marks.

3. Step-by-Step Assembly:

Follow the assembly instructions provided, proceeding one step at a time. Take care to understand each step properly before proceeding to the next one. This sequential approach ensures that the assembly is done correctly and minimizes the chance of errors.

4. Proper Screw Seating:

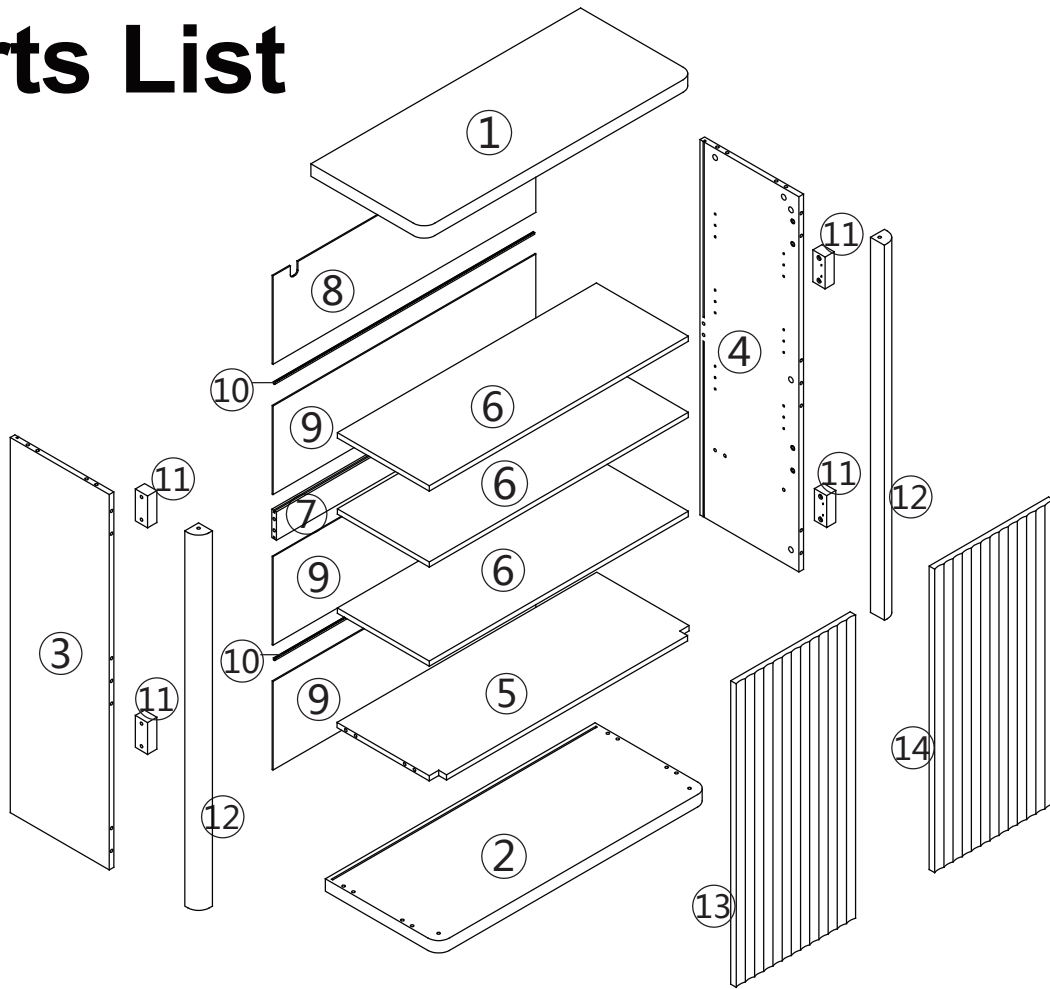
When attaching screws and nuts, it is essential not to fully tighten them until all screws are correctly seated. By partially tightening each screw and nut initially, you can ensure that they are aligned properly and fit securely before final tightening.

5. Avoid Over-Tightening:





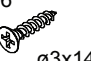


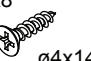








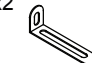
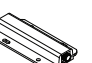

While each screw and nut should be tightened correctly, it is crucial not to over-tighten them. Over-tightening can cause damage to the product or compromise its structural integrity. Use the appropriate amount of force to secure the components without excessive tightening.

If you encounter any questions or problems during the assembly process, please do not hesitate to contact us. We strive to provide excellent customer support and will respond to your inquiries within 24 hours. Our team will offer you a suitable solution to address any concerns you may have.

Parts List



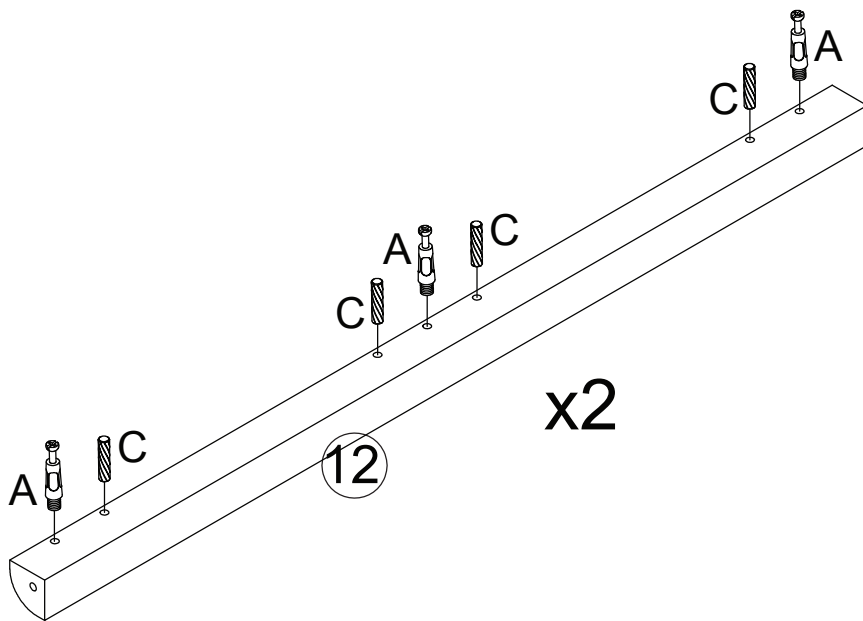
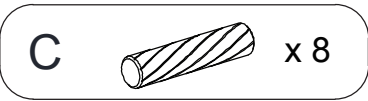
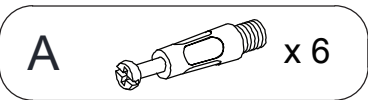
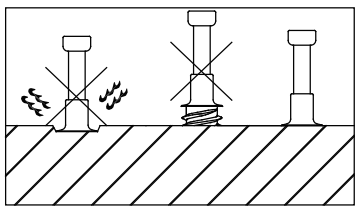
Hardware List

Ax18  M6x32	Bx18  Ø15x10	Cx24  Ø8x30	Dx4  M7x68	Ex26  Ø3x14	Fx18  Backboard clip	Gx8  M6x35	Hx8  Ø4x14
Ix8  Ø4x20	Jx12  Movable Shelf	Kx2  Ø4x14	Lx4  M8x(Ø30)x20	Mx2  Plastic expansion screw	Nx2  Ø4x35	Ox2  Self-tapping screw	Px1  M4
Qx2  Lock wall accessories	Rx2  Press the pin	Sx4  Hinges					

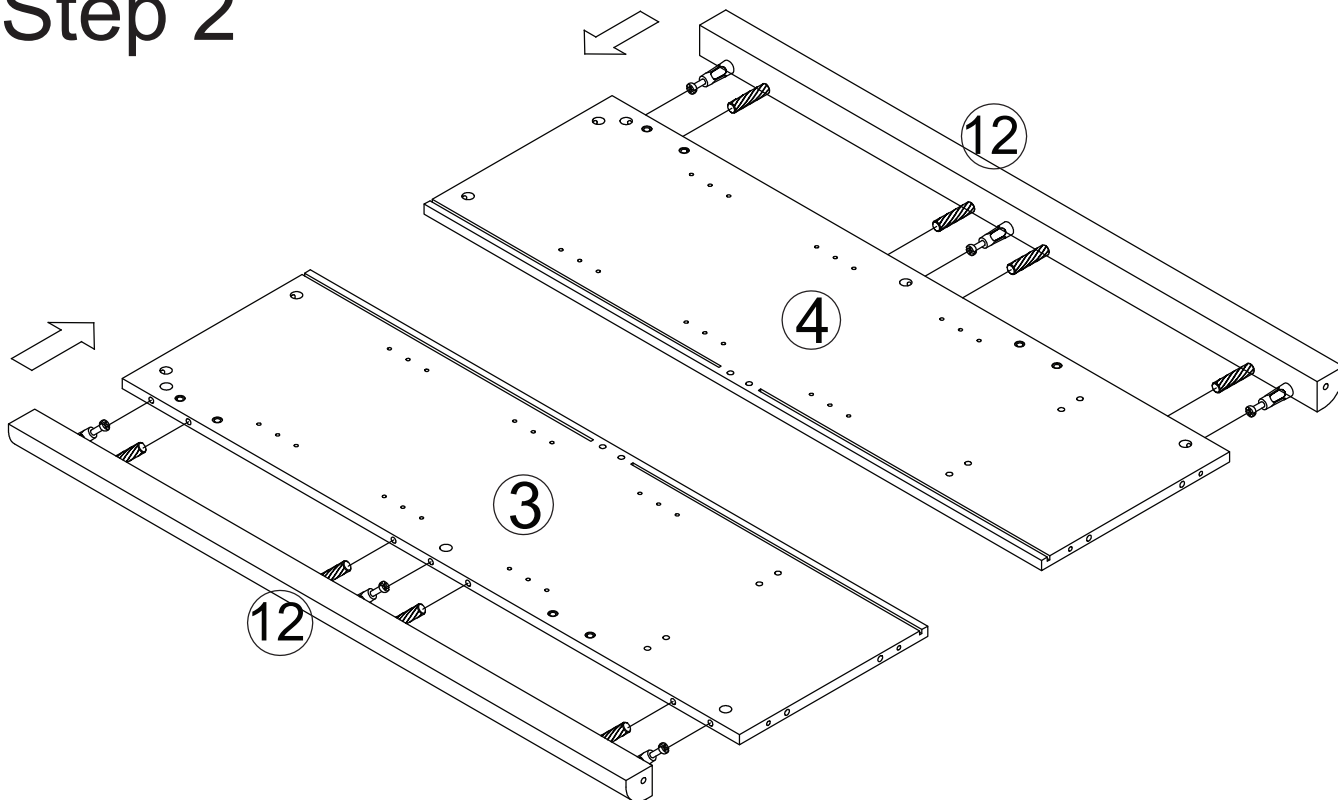
Code	Description	Quantity
A	M6*32mm Cam bolt	18+4
B	Ø15x10mm Cam lock	18+4
C	Ø8x30mm Wood dowel	24+4
D	M7x68 Broken tail screw	4+2
E	Ø3x14 self-tapping screw	26+4
F	Backboard clip	18+2
G	M6x35 hexagonal screw	8+2
H	Ø4x14 self-tapping screw	8+2
I	Ø4x20 self-tapping screw	8+2
J	Movable Shelf	12+2

Code	Description	Quantity
K	Ø4x14 self-tapping screw	2+2
L	M8x(Ø30)x20 Adjustable foot	4+1
M	Plastic expansion screw	2
N	Ø4x35 self-tapping screw	2
O	Self-tapping screw	2
P	Hexagon socket wrench	1
Q	Lock wall accessories	2
R	Press the pin	2
S	Hinges	4

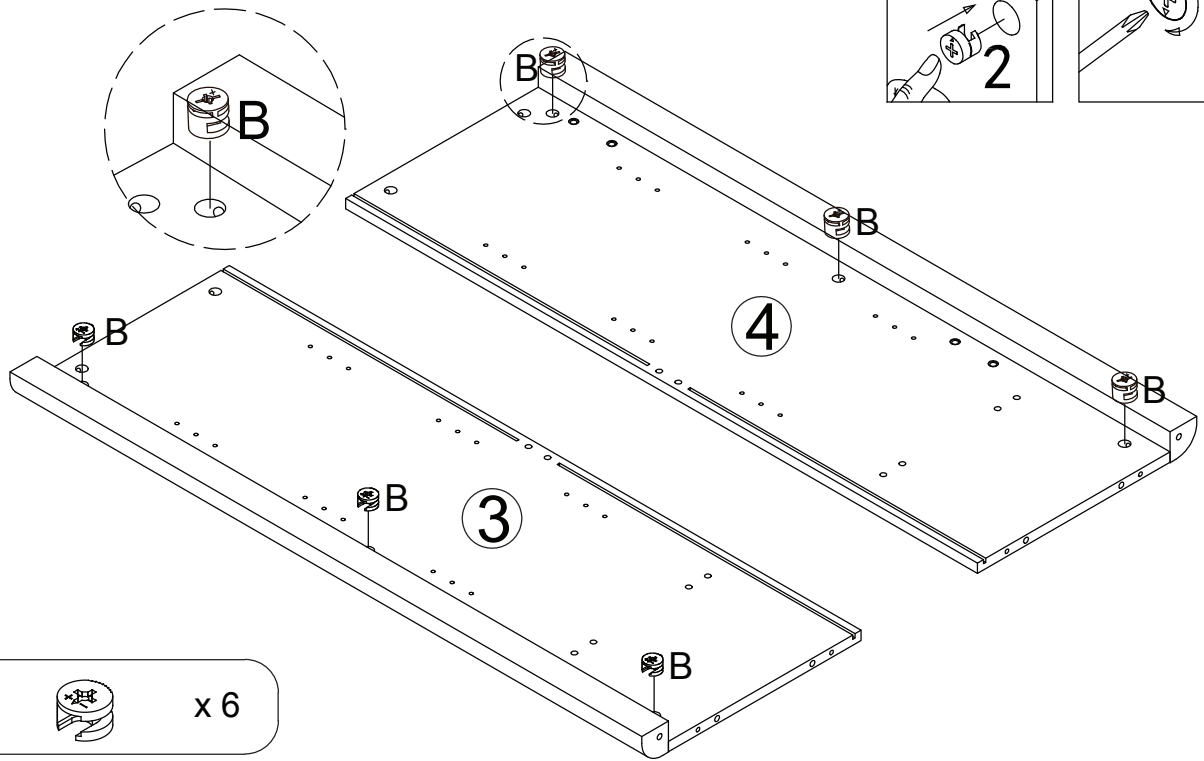
Step 1



Step 2



Step 3

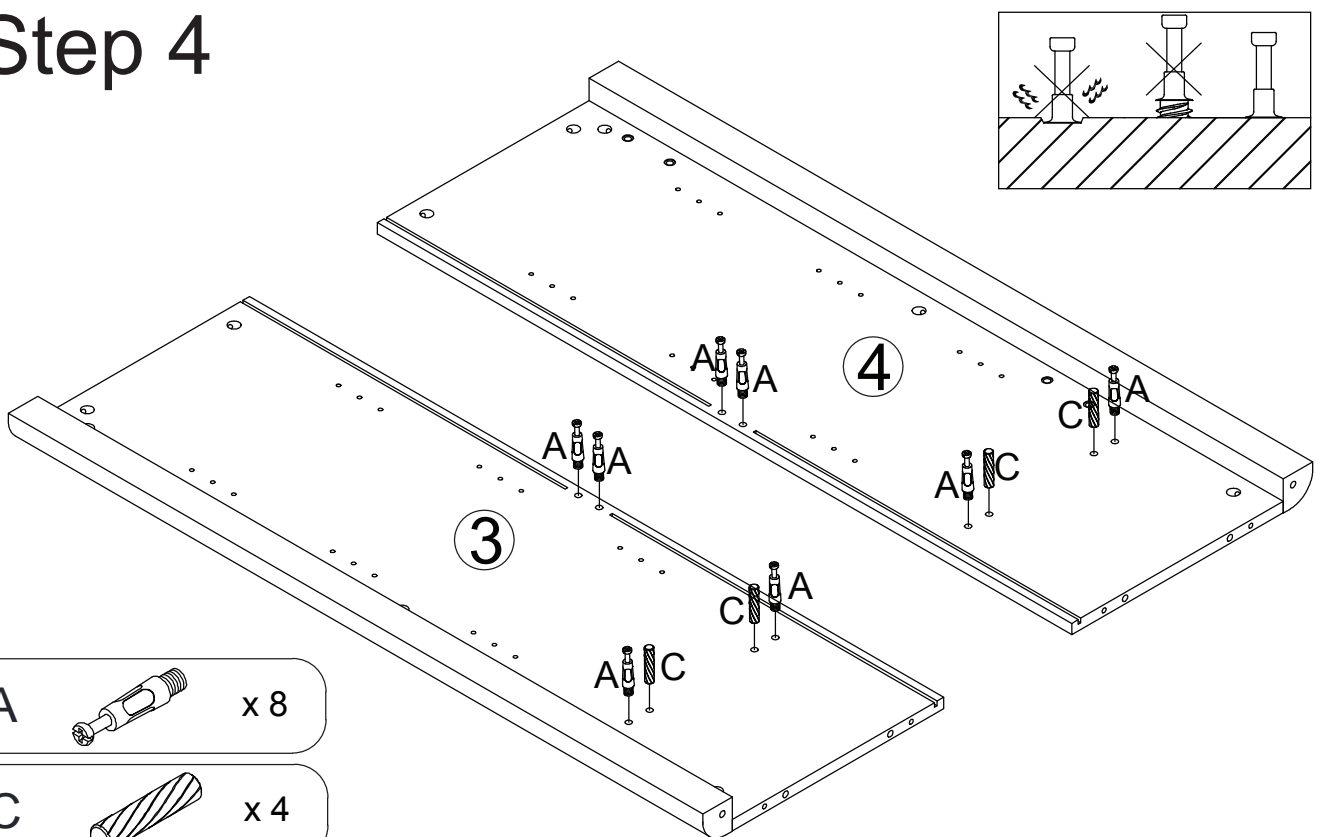


B



x 6

Step 4



A



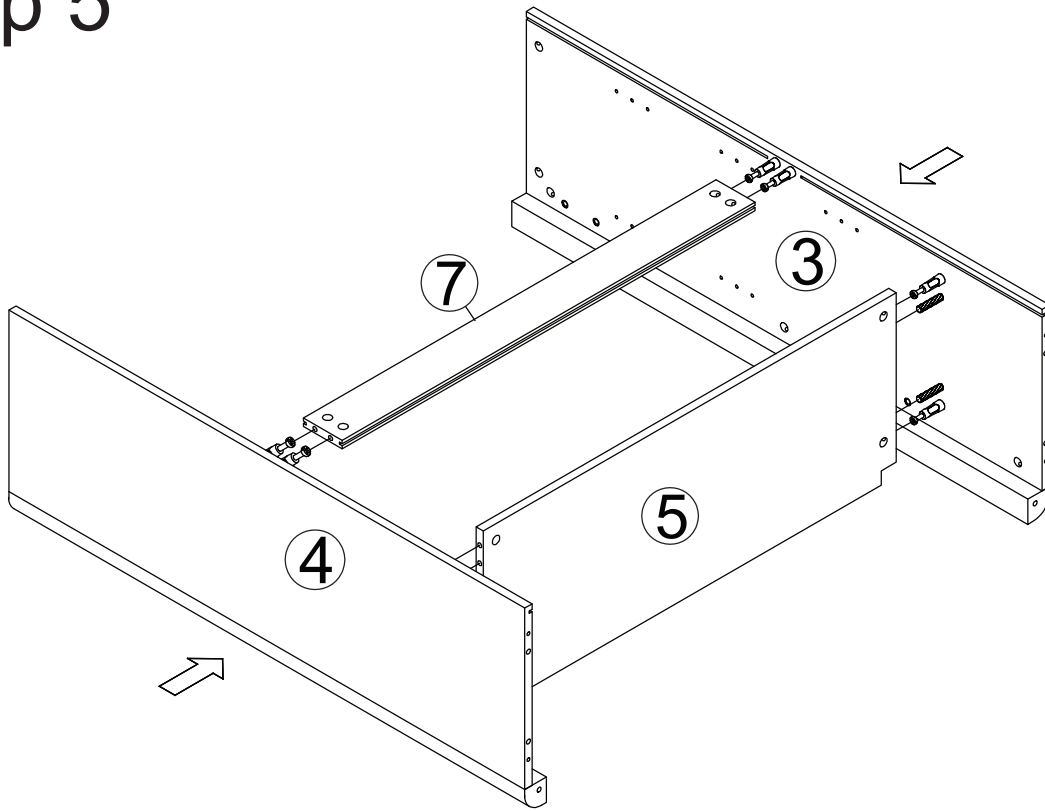
x 8

C

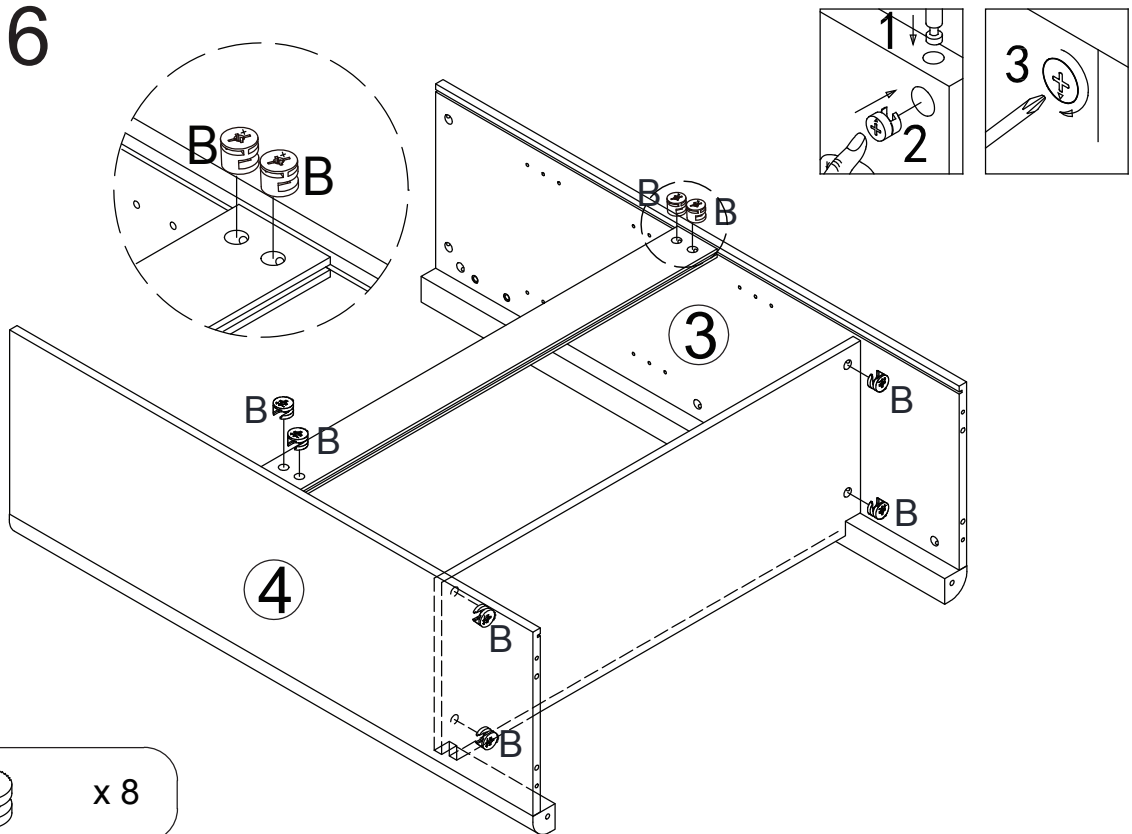


x 4

Step 5



Step 6

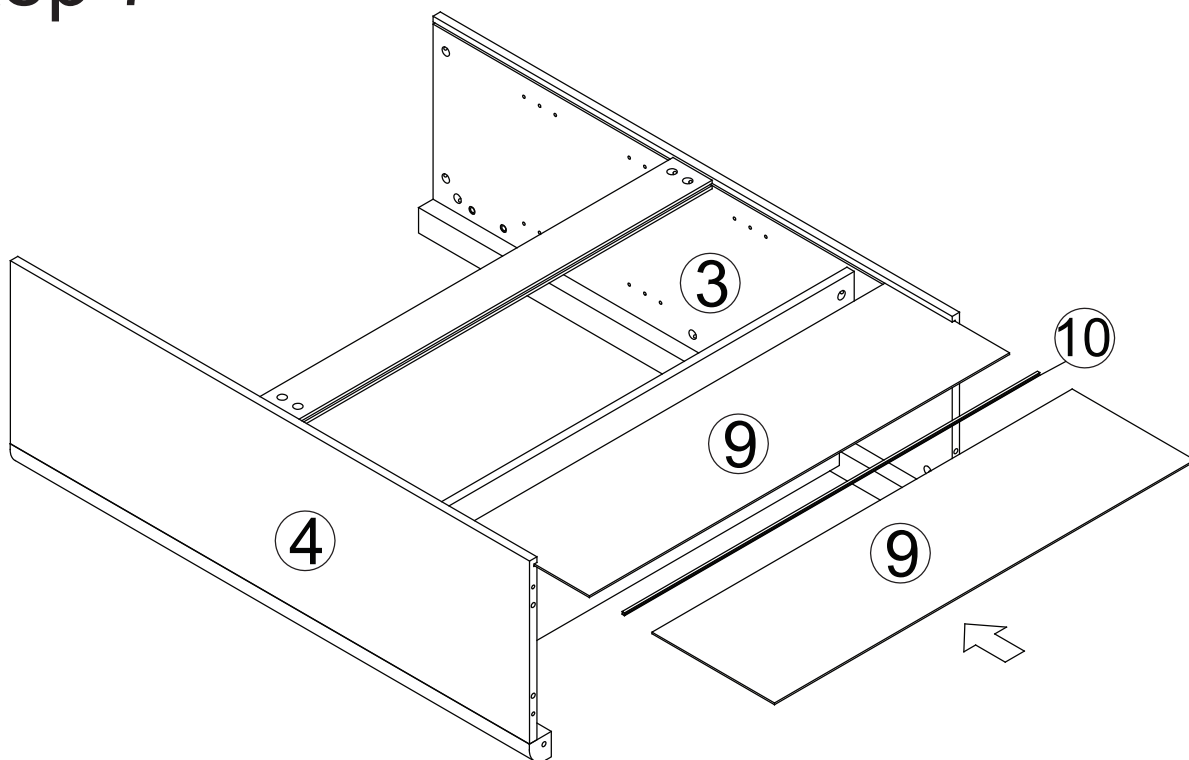


B

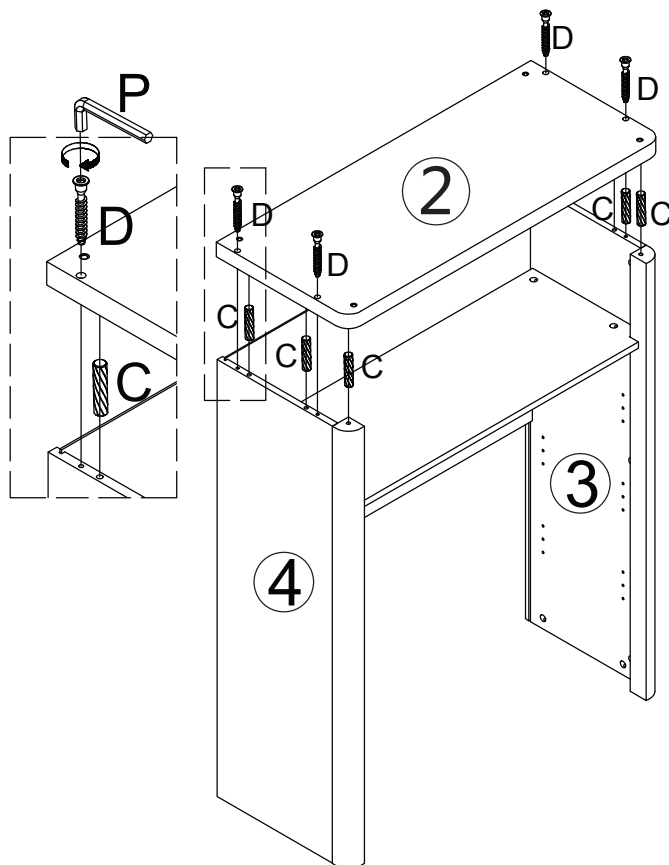


x 8

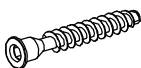
Step 7



Step 8

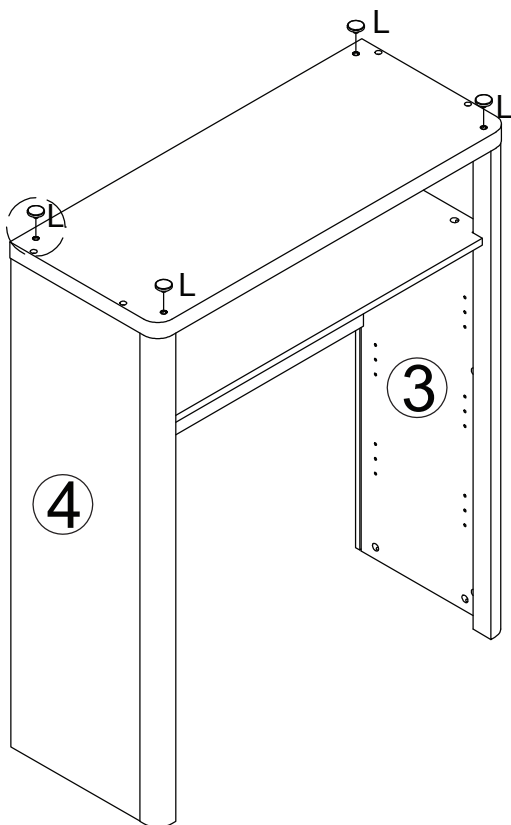
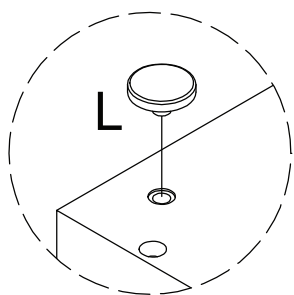


C  x 6

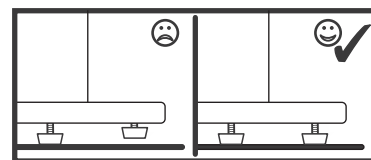
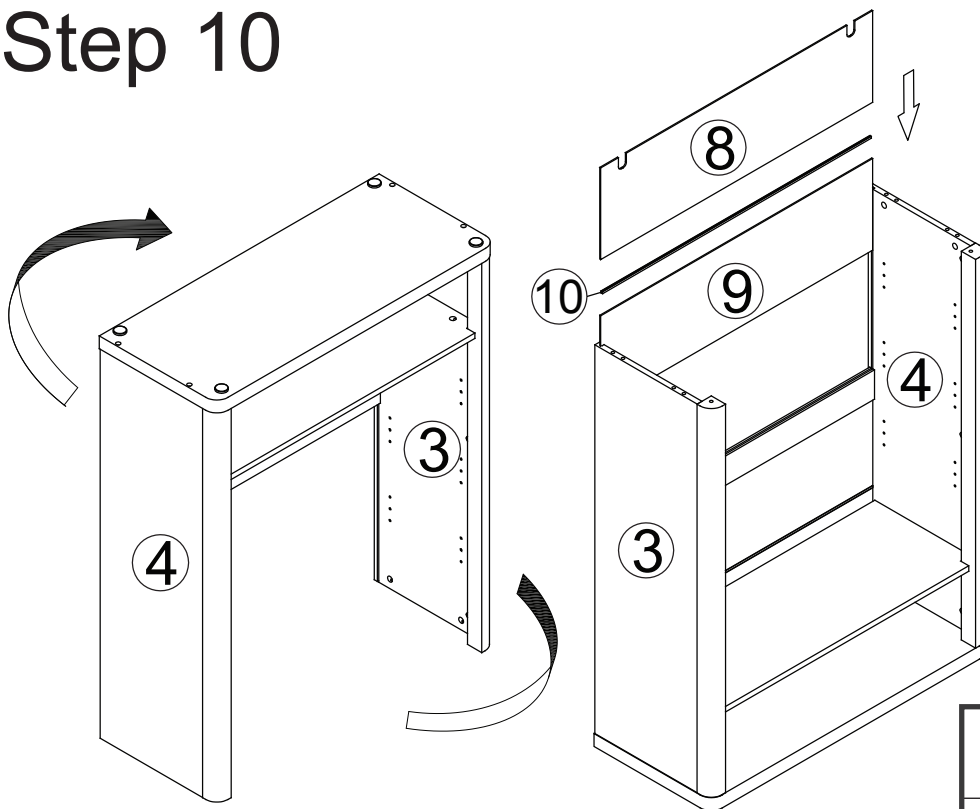
D  x 4

P  x 1

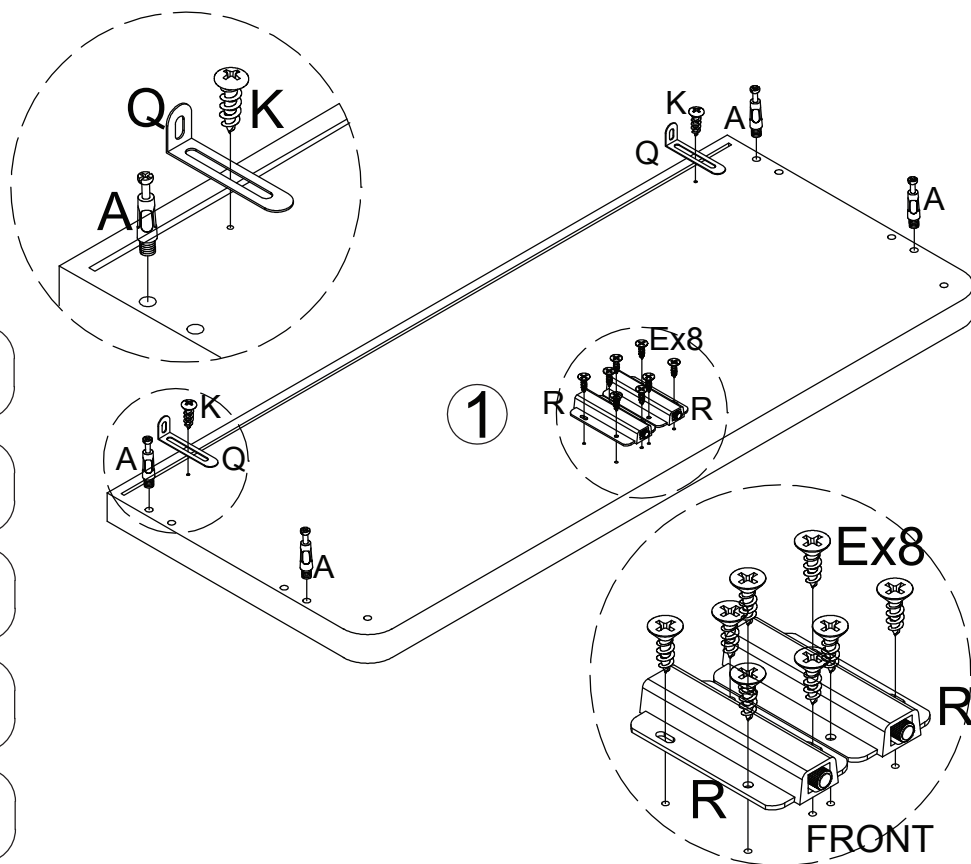
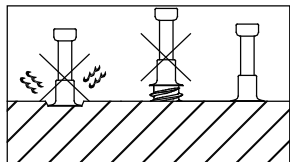
Step 9

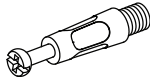


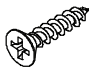
Step 10




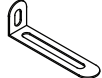
Step 11

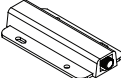


A  x 4

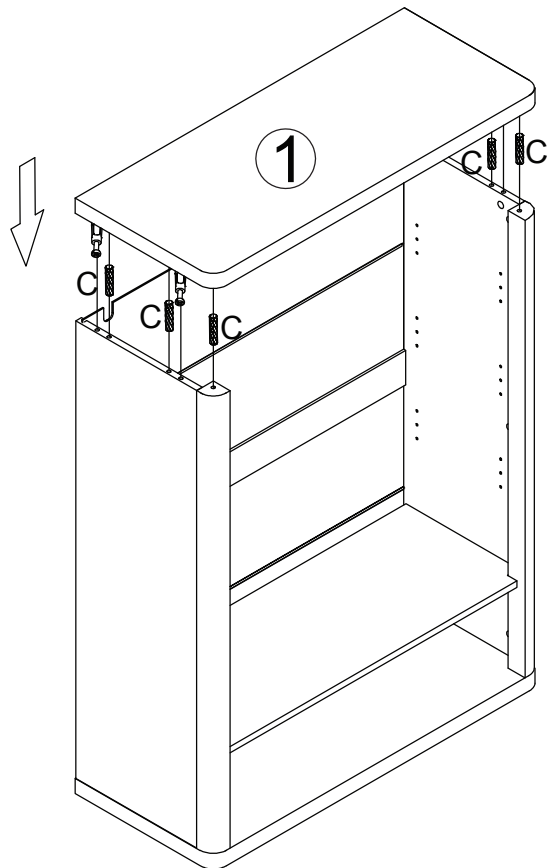
E  x 8

K  x 2

Q  x 2

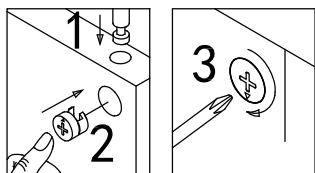
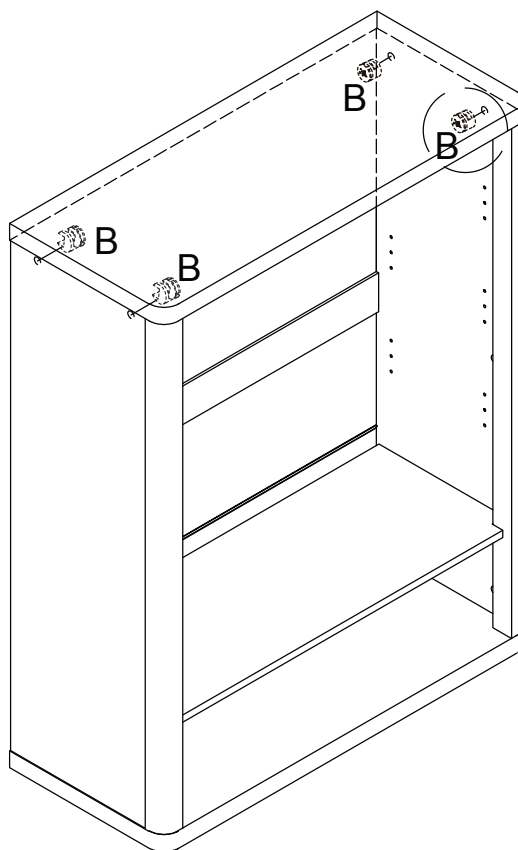
R  x 2

Step 12



C  x 6

Step 13

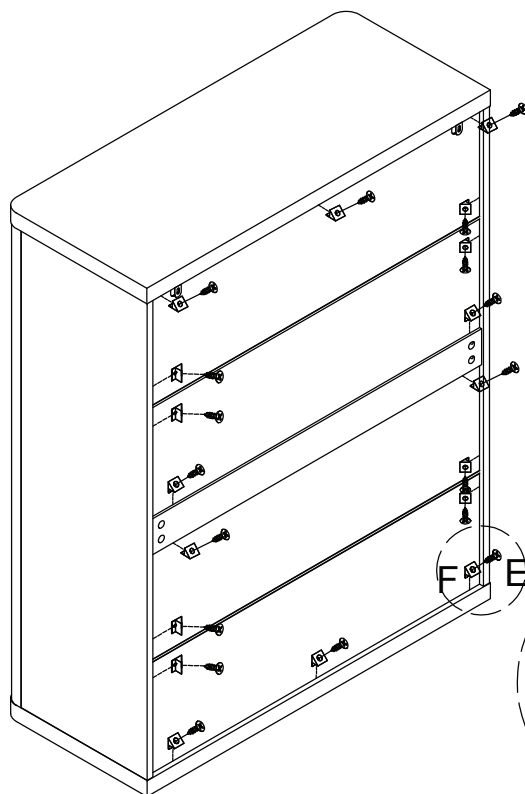


B

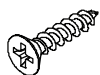


x 4

Step 14



E



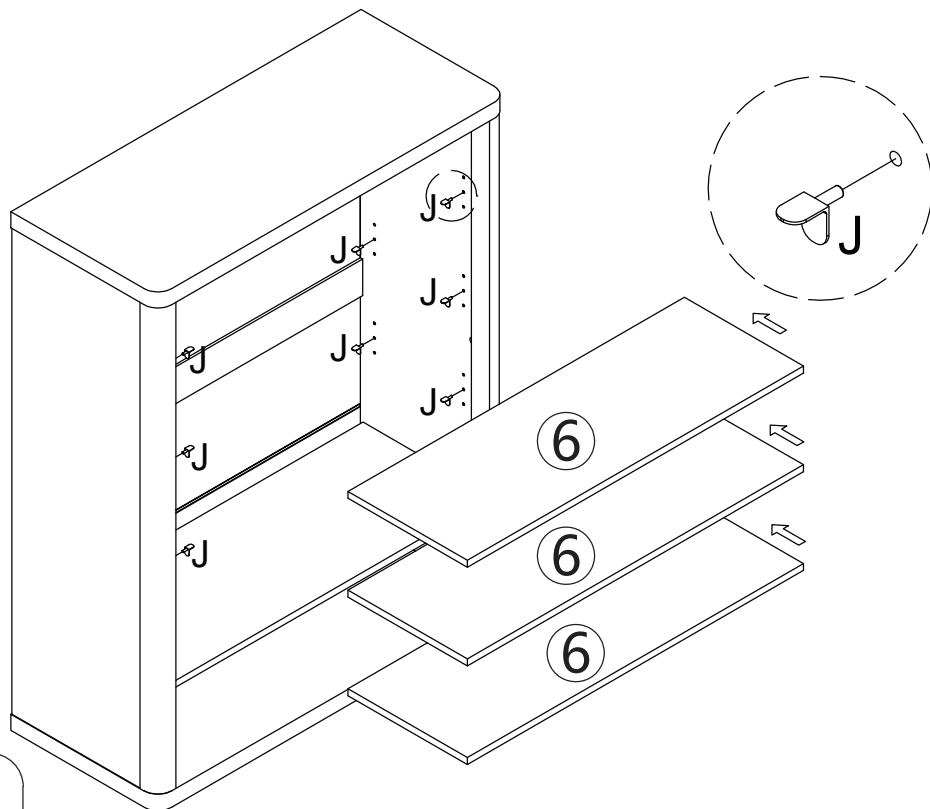
x 18


F



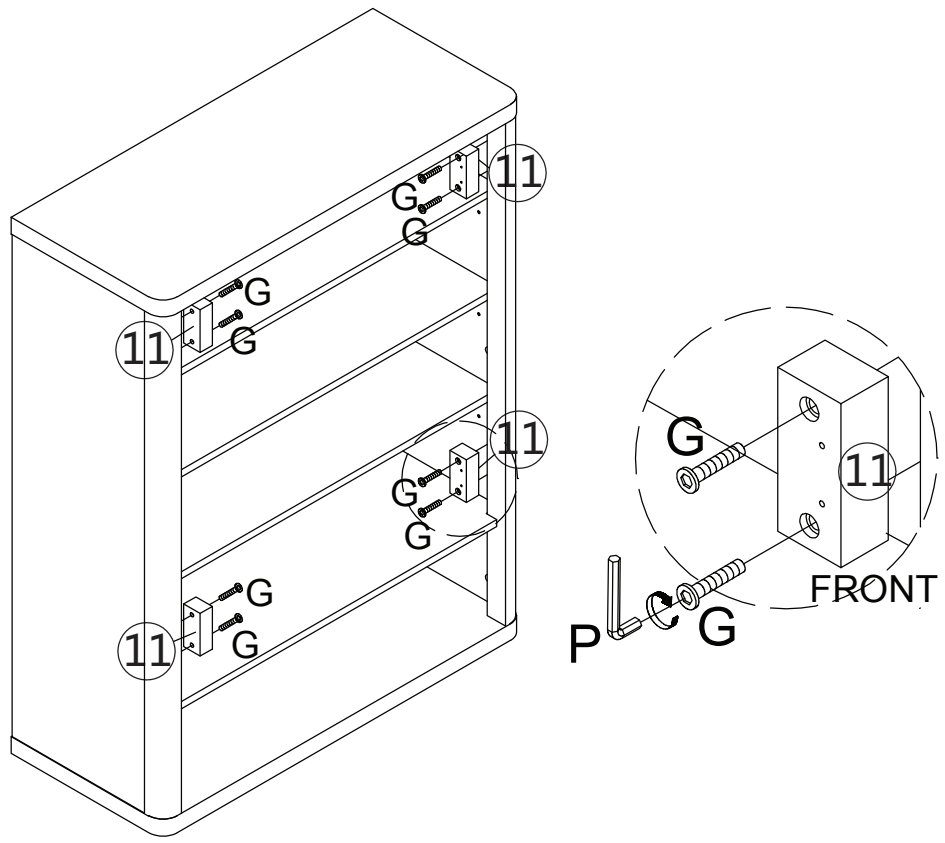
x 18

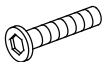
Step 15

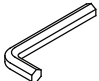


J  x 12

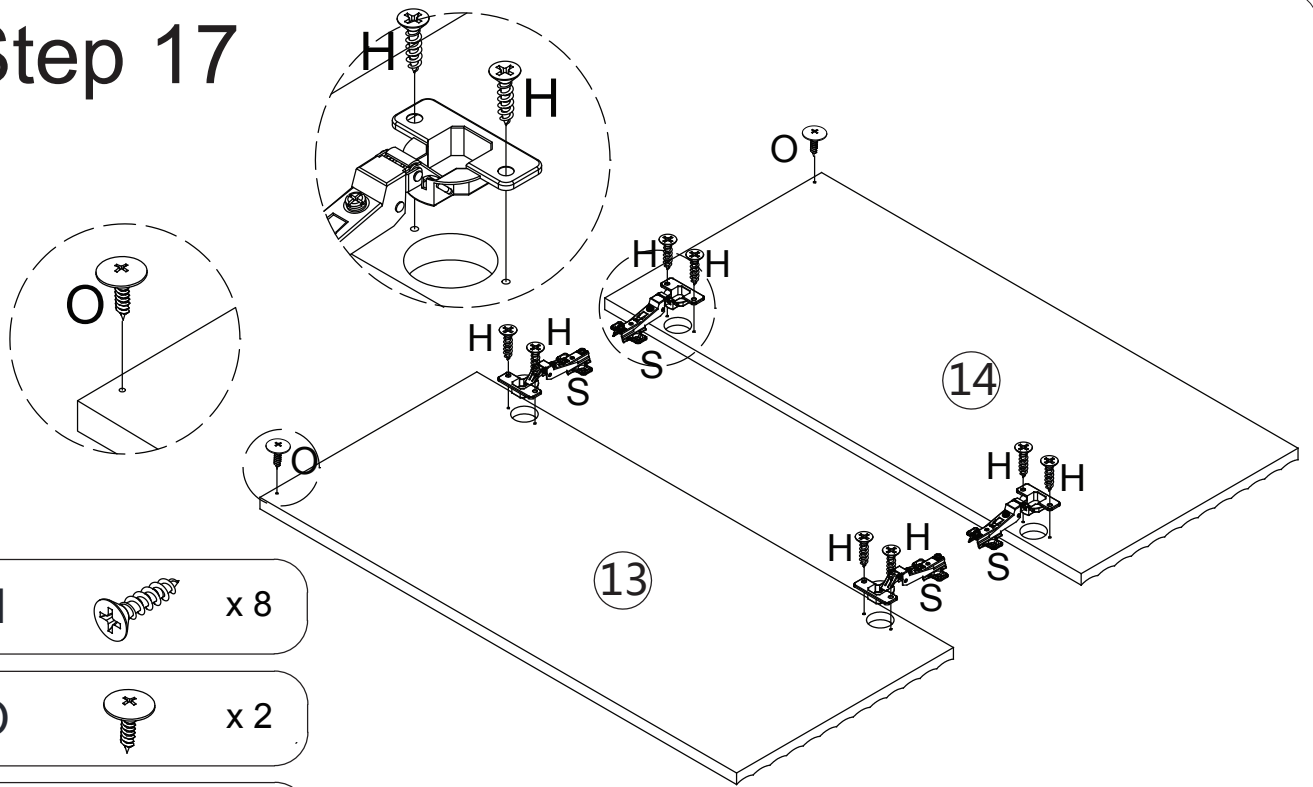
Step 16



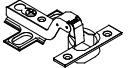


G  x 8

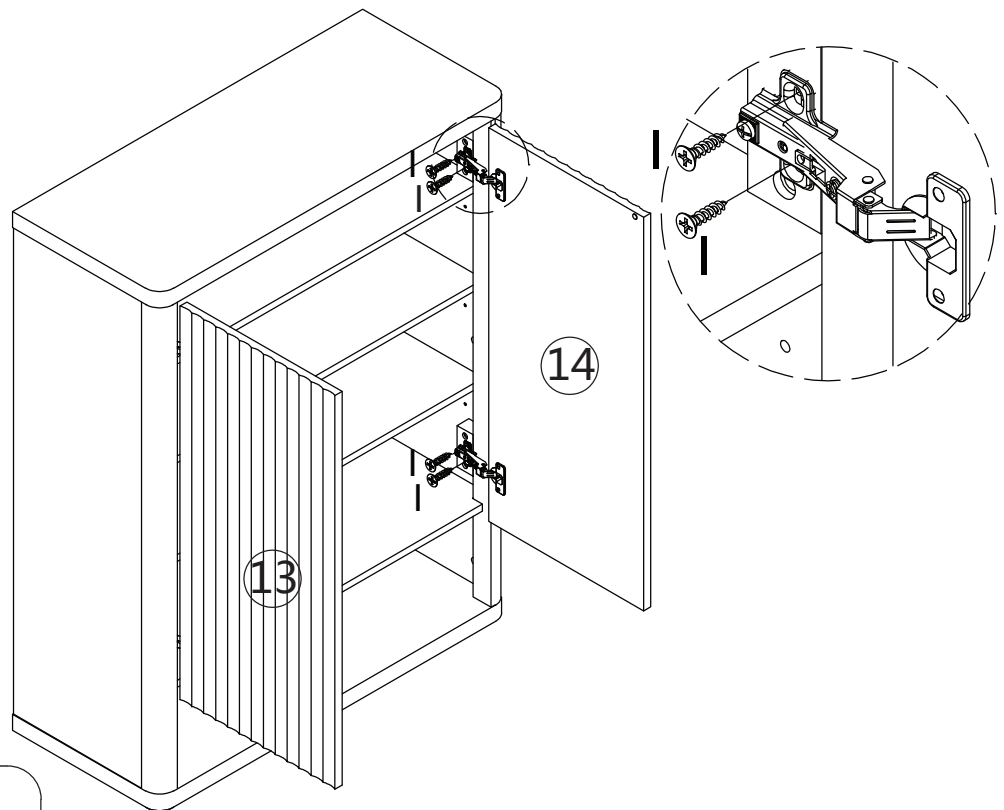
P  x 1

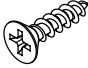
Step 17



- H  x 8
- O  x 2
- S  x 4

Step 18

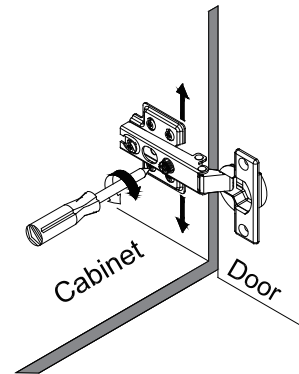
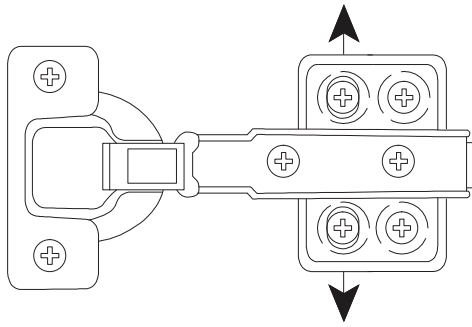
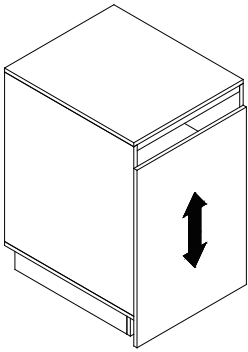


- I  x 8

Cabinet Door Adjustment Instructions

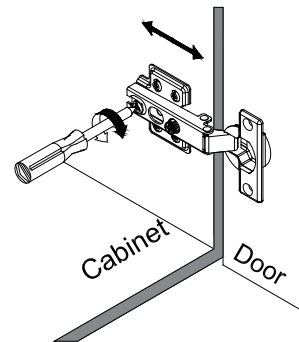
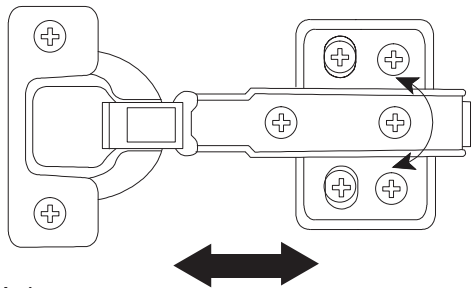
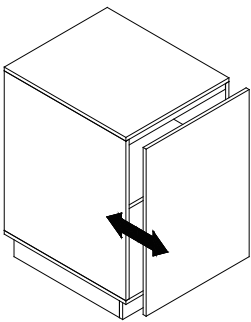
Height adjustment:

- Locate the height adjustment screws on the hinge.
- Use the Phillips screwdriver to either tighten or loosen the screws to raise or lower the cabinet door as desired.



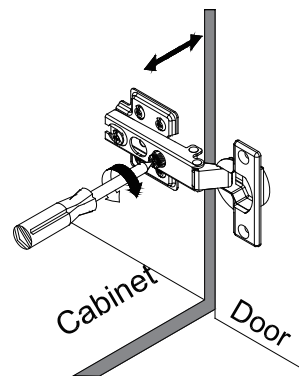
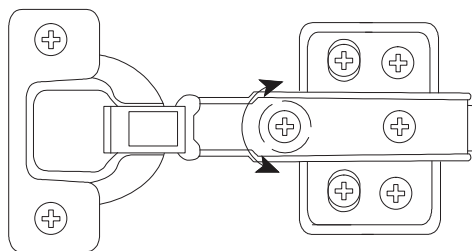
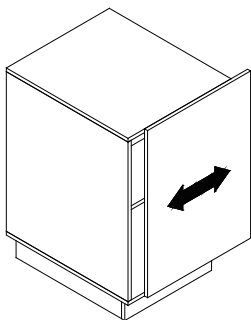
Side-to-side adjustment:

- If the cabinet door needs to be moved closer to or away from the cabinet frame, locate the side-to-side adjustment screws on the hinge.
- Use the Phillips screwdriver to adjust these screws and gradually move the door in the desired direction.

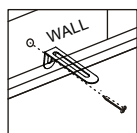
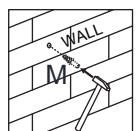
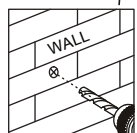
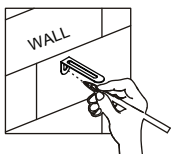



Depth adjustment (if applicable):

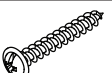
- Check if the cabinet door needs to be brought closer to or further away from the cabinet frame.
- For depth adjustment, locate the depth adjustment screws on the hinge.
- Use the Phillips screwdriver to turn these screws clockwise or counterclockwise accordingly.

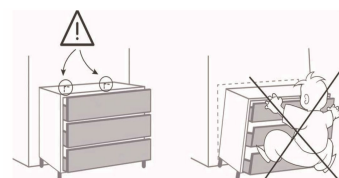
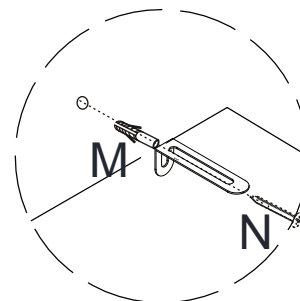
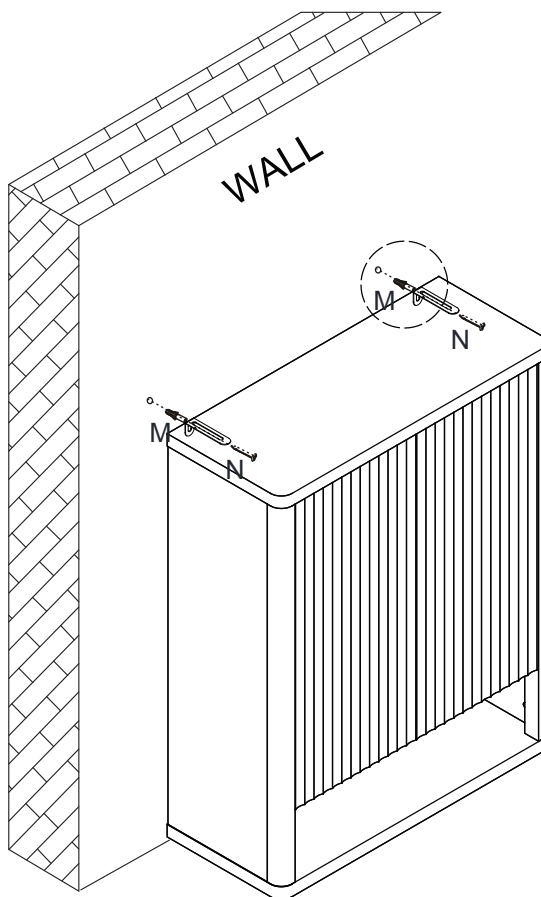


Step 19



M  x 2

N  x 2



Step 20

