

ASSEMBLY INSTRUCTIONS



ACCENT TABLE

ASSEMBLY INSTRUCTIONS

ASSEMBLY TIPS:

1. Remove hardware from box and sort by size.
2. Please check to see that all hardware and parts are present prior to start of assembly.
3. Please follow attached instructions in the same sequence as numbered to assure fast & easy assembly.



WARNING!

1. Don't attempt to repair or modify parts that are broken or defective. Please contact the store immediately.
2. This product is for home use only and not intended for commercial establishments.

ASSEMBLY TIME 15 MINUTES

PARTS IDENTIFICATION

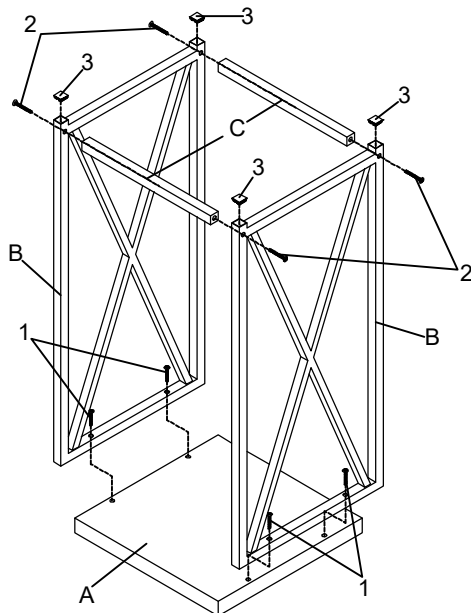
A	TOP		1PC
B	SIDE FRAME		2PCS
C	CROSSBAR		2PCS

HARDWARE IDENTIFICATION

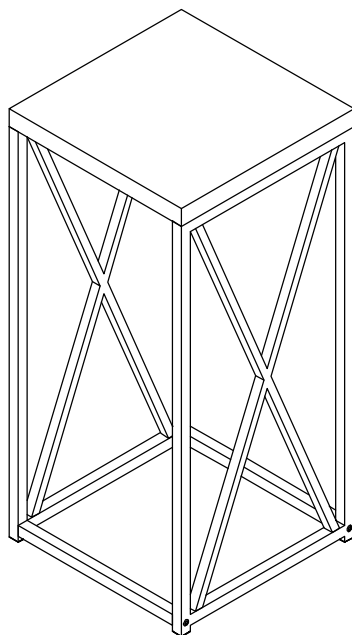
1	SHORT BOLT (1/4" x 28mm SR)		4PCS
2	LONG BOLT (1/4" x 38mm SR)		4PCS
3	CAP (18 x 18mm BLK)		4PCS
4	ALLEN WRENCH (4mm)		1PC

ASSEMBLY INSTRUCTIONS

STEP 1 Do not tighten until each step is completed or instructed.



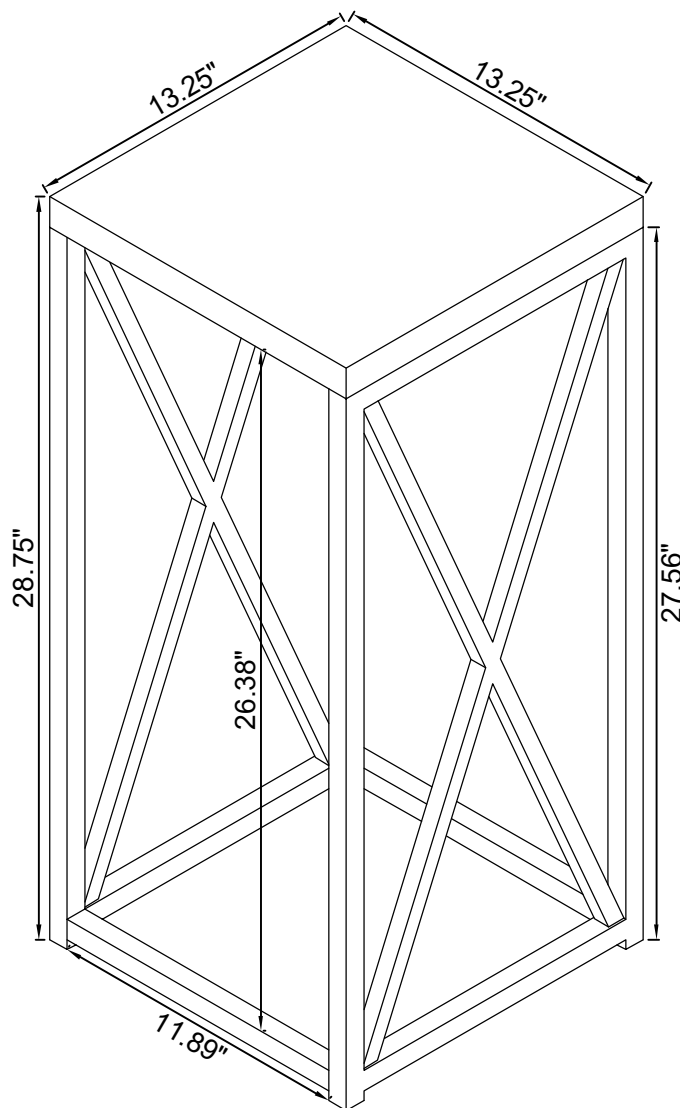
STEP 2
COMPLETE



ASSEMBLY INSTRUCTIONS

Product Size : 337 X 337 X 730 H (MM)

Product Size : 13 $\frac{1}{4}$ " X 13 $\frac{1}{4}$ " X 28 $\frac{3}{4}$ "



Note : Dimension tolerance $\pm 5\%$