

ASSEMBLY INSTRUCTION

Cloud Sectional Sofa



Safety and Care Advice

Important – Please read these instructions fully before starting assembly

Thanks for your purchase. Before the assembly, please follow the instruction to check if all the spare parts and screws are intact.

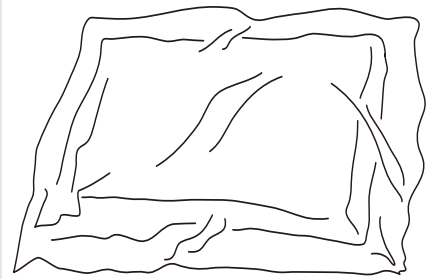
Multiple boxes shipped, may not arrive at the same time, please make sure you receive all packages before installation!

Due to the sofa' s size and weight, we strongly recommend : Two adults perform assembly in a carpeted or padded area to avoid surface damage.

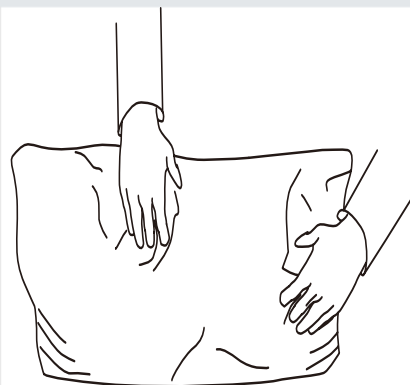
Do not discard any packaging or instructions until assembly is fully completed and functionality confirmed.

Store loose components and packaging materials out of reach of children and pets to mitigate choking hazards.

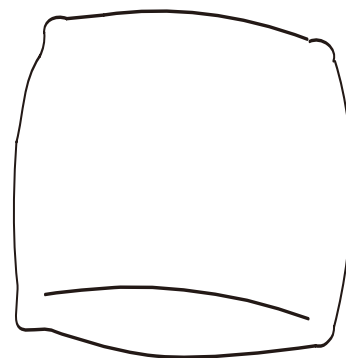
Some installation kits have been hidden within the framework. Unzip the compartment on the base of the frame to access the tools and hardware.



Open the vacuum bag carefully.

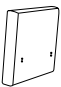

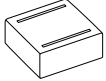
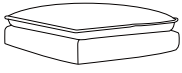
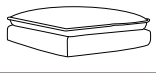


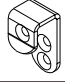



Press and tap with both hands from the side and front to fully inhale air



Carefully smooth out each section until the surface is even.

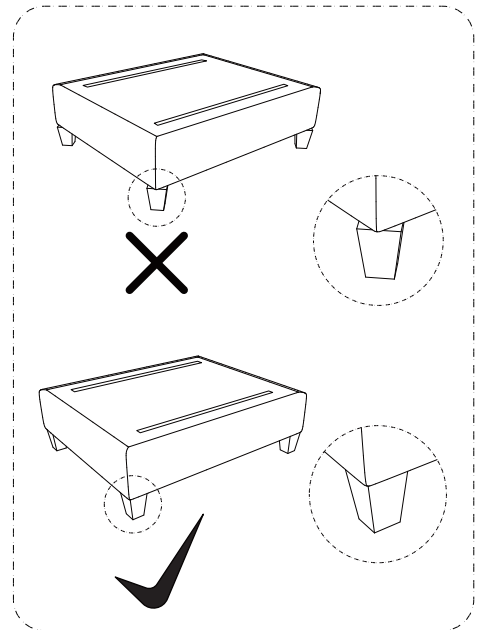
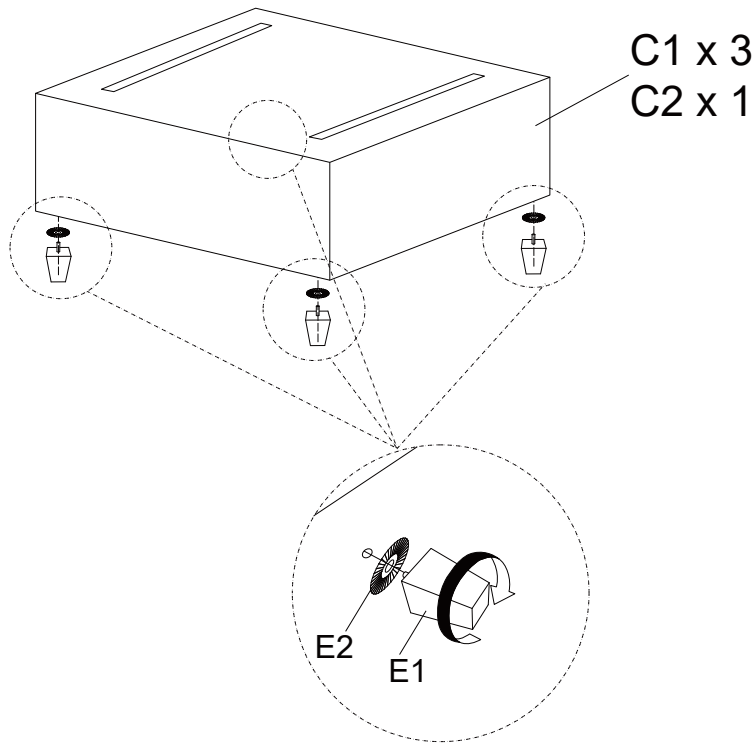
After packing up, place them in somewhere dry and ventilated. After about 72-96 hours. it can be restored to the best use condition.

LABEL	ACCESSORIES	DESCRIPTION	QTY
A		Back Frame	3
B1		Left Armrest	1
B2		Right Armrest	1
C1		Single Seat Fame	3
C2		Footstool Seat Frame	1
D1		Sitting Pad	3
D2		Ottoman Sitting Pad	1
E1		Sofa Leg	16
E2		Plastic Gasket	16
F		M6x25mm Countersunk Screw	20
G		M6x25mm Screw	10
H		Plastic Washer	5
I		Back Cushion	3
J		Lower Buckle of Backrest	5
K		Seat Frame Connector	4
L		Allen Key	1
M		Hook	10
N		Power Line	2
O		Pillow	3

1

Install the frame sofa legs, the quantity of frames is C1*3, C2*1.

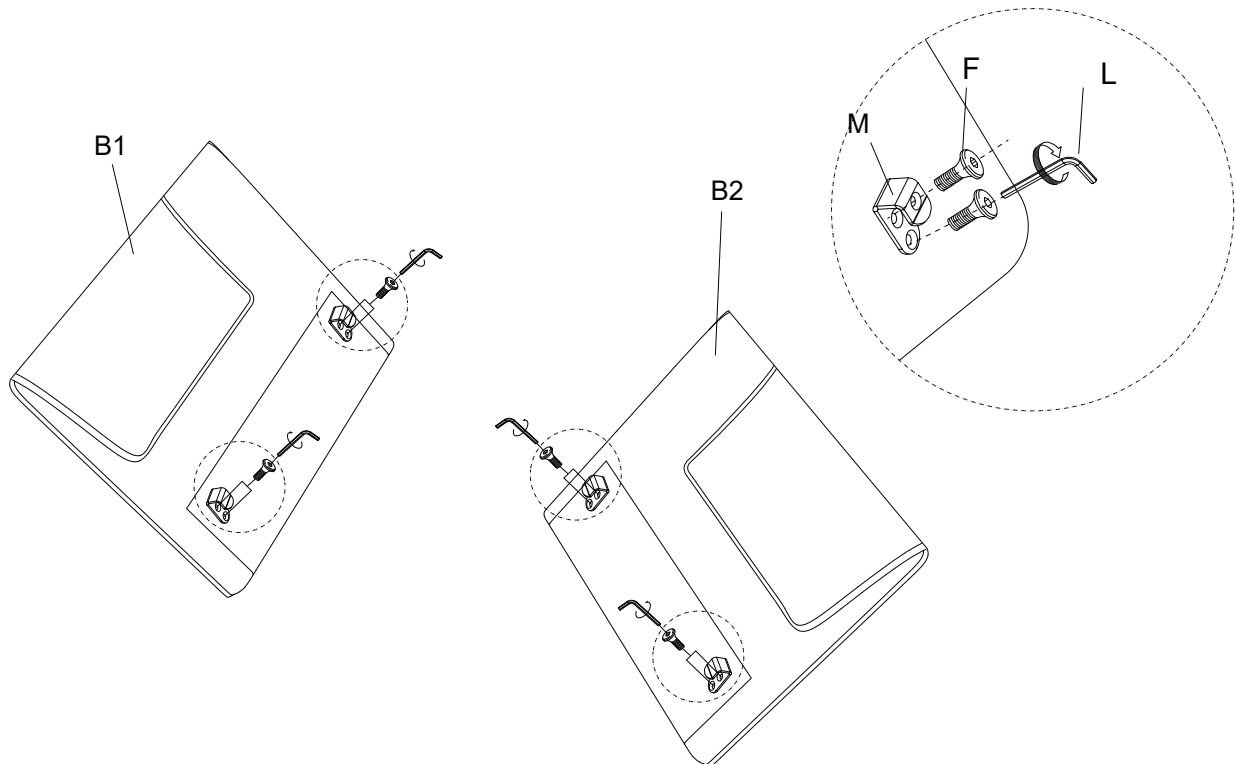
Note: Please twist the sofa legs to be level with the sofa seat frame.



C1x3	C2x1	E1x16	E2x16

2

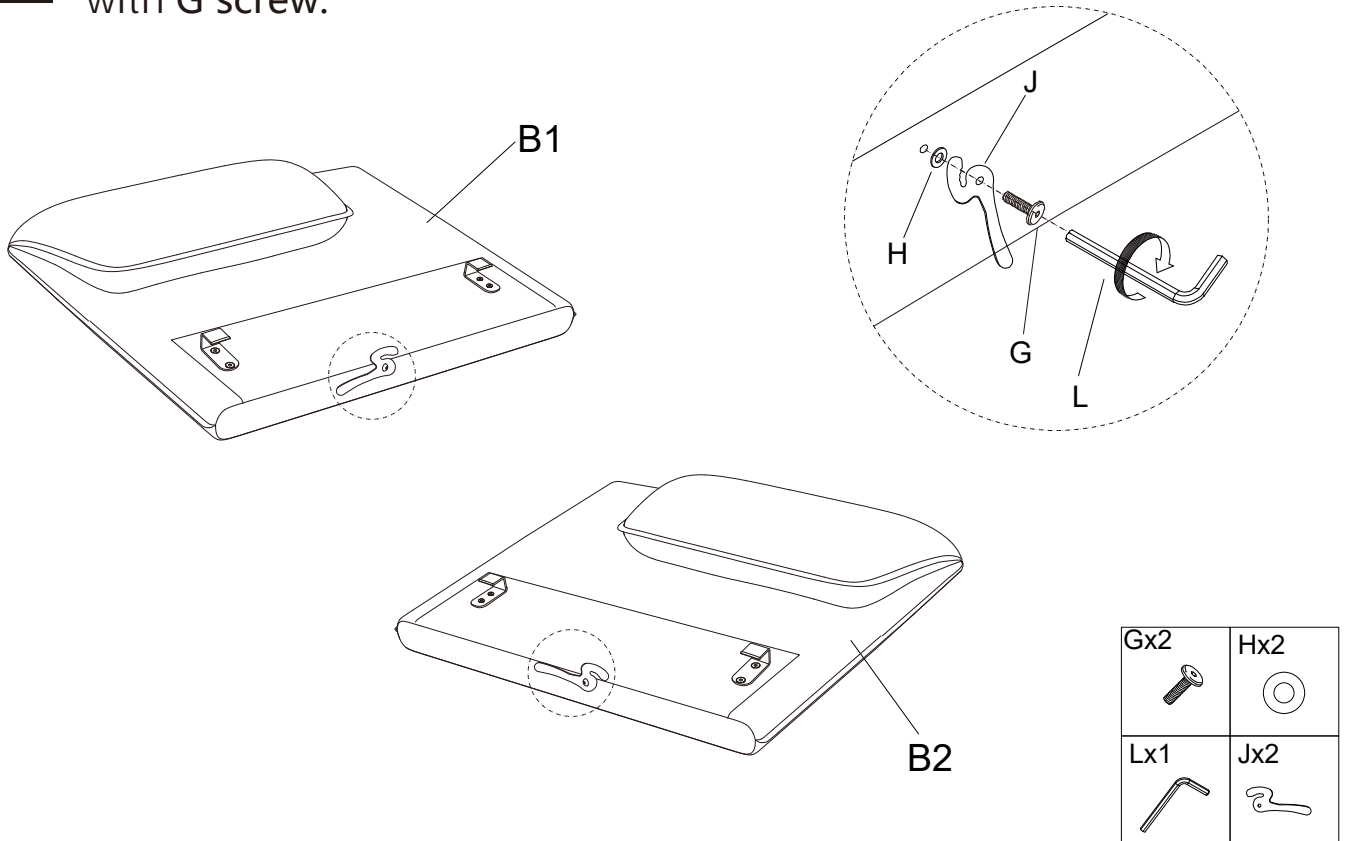
Install the M hook into the armrest with the F screw.



Fx8	Lx1	Mx4

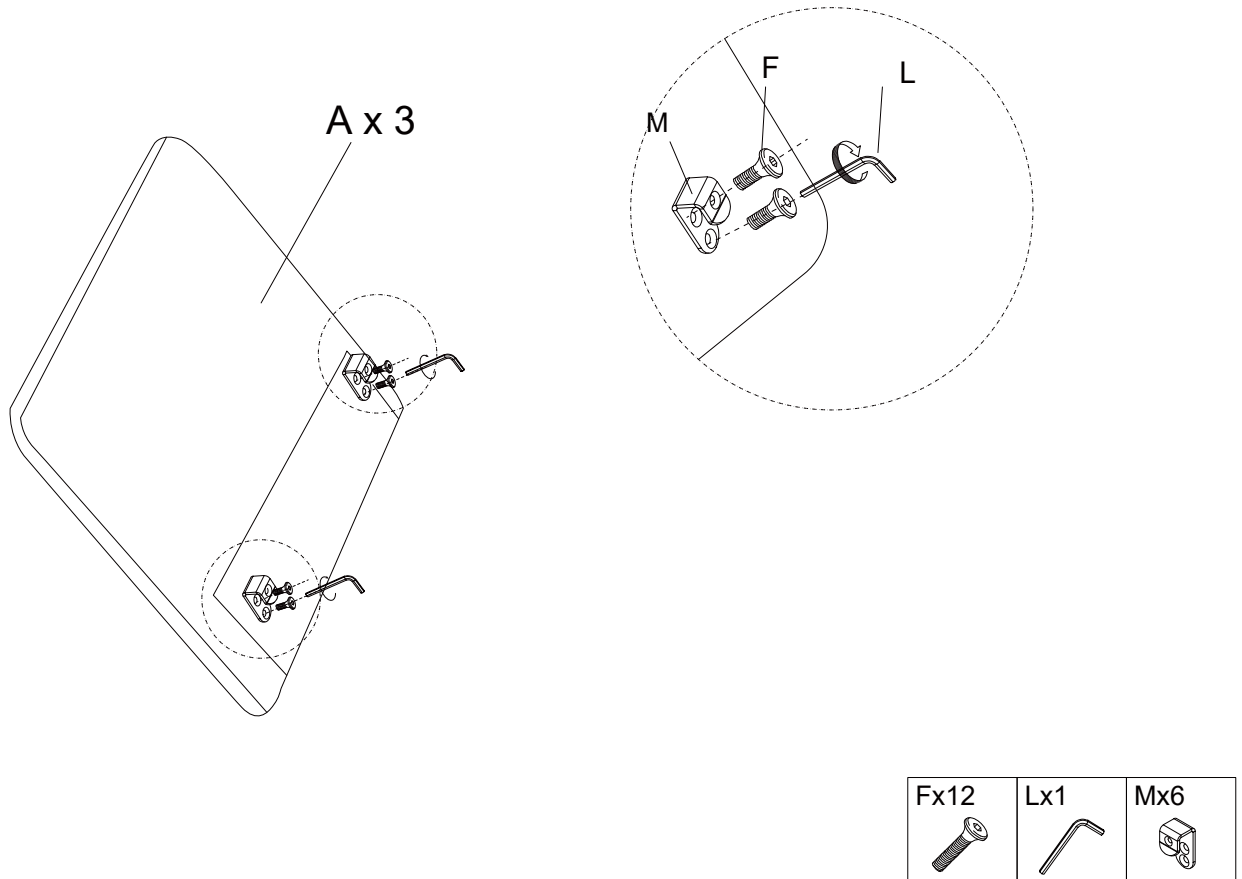
3

Install J iron and H washer sheet on the bottom of armrest with G screw.



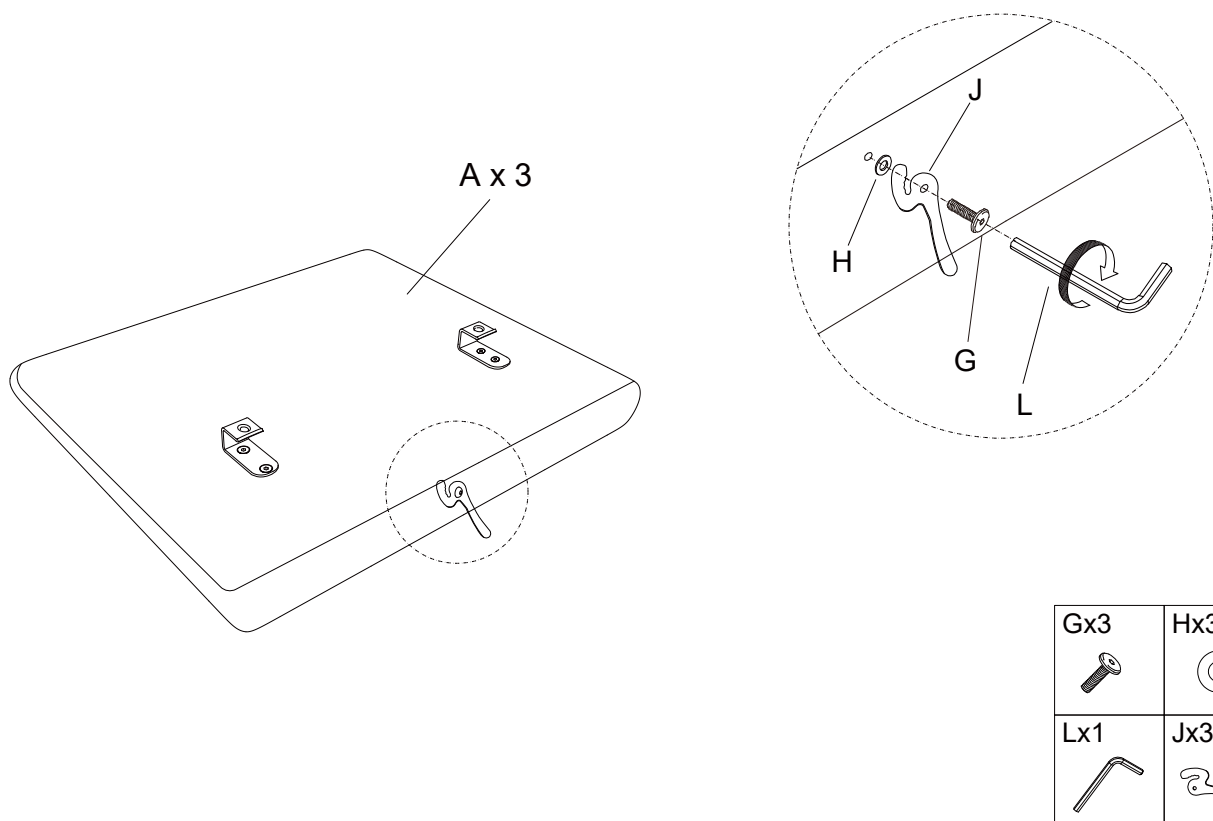
4

Install the M hook into the backrest A using the F screw as in the second step.



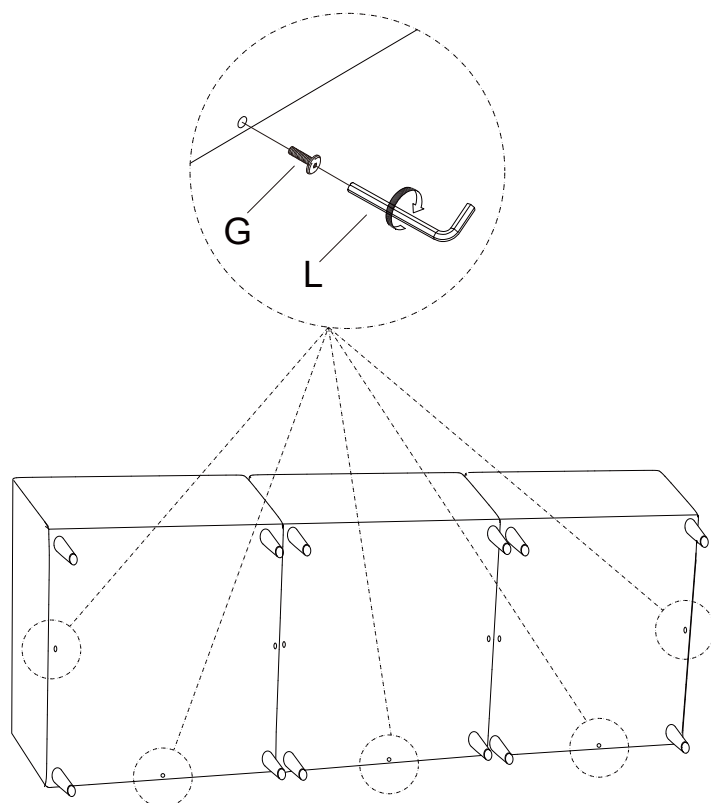
5

Install J iron sheet at the bottom of the backrest A.

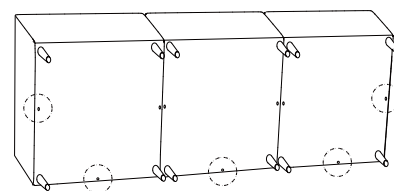


6

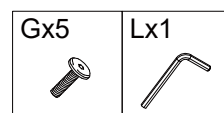
Lift up the single seat frame, install screw G at the bottom of seat frames as shown in the diagram.



Note: Install screw G to Single seat frame C1*3 according to the position shown in the figure.

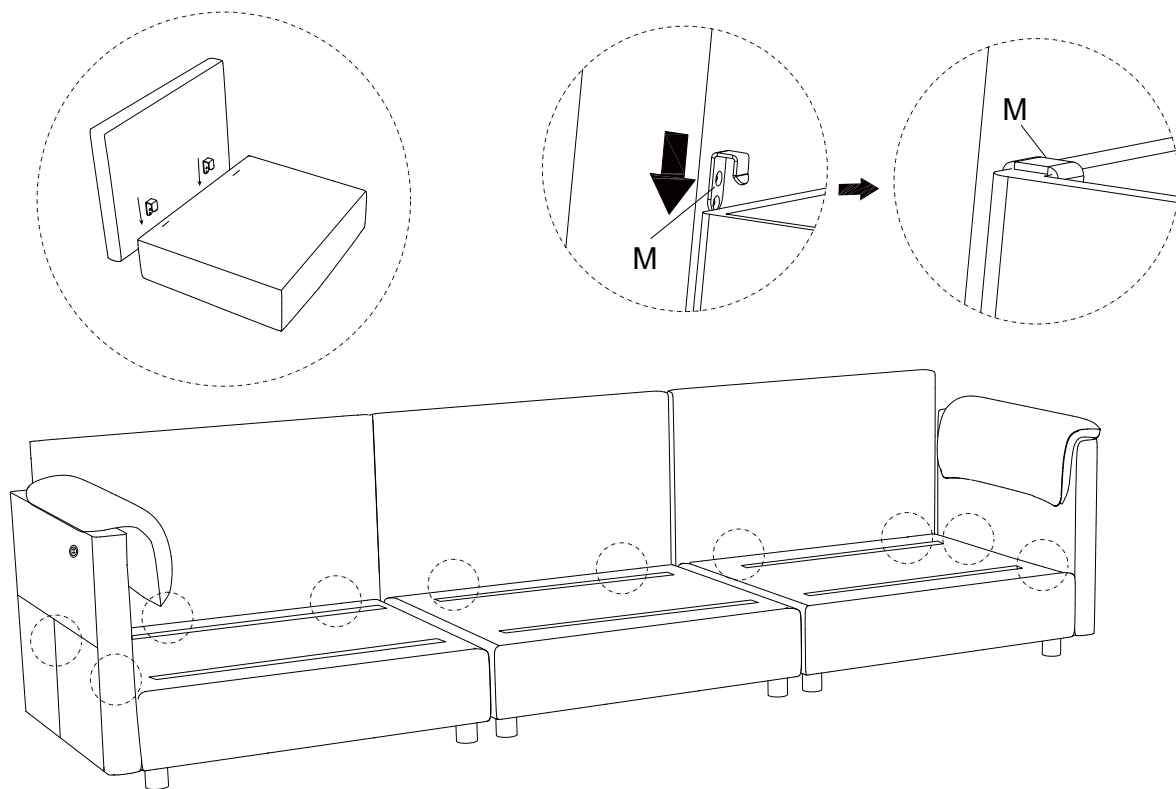


Please only tighten the screws 80%!!!



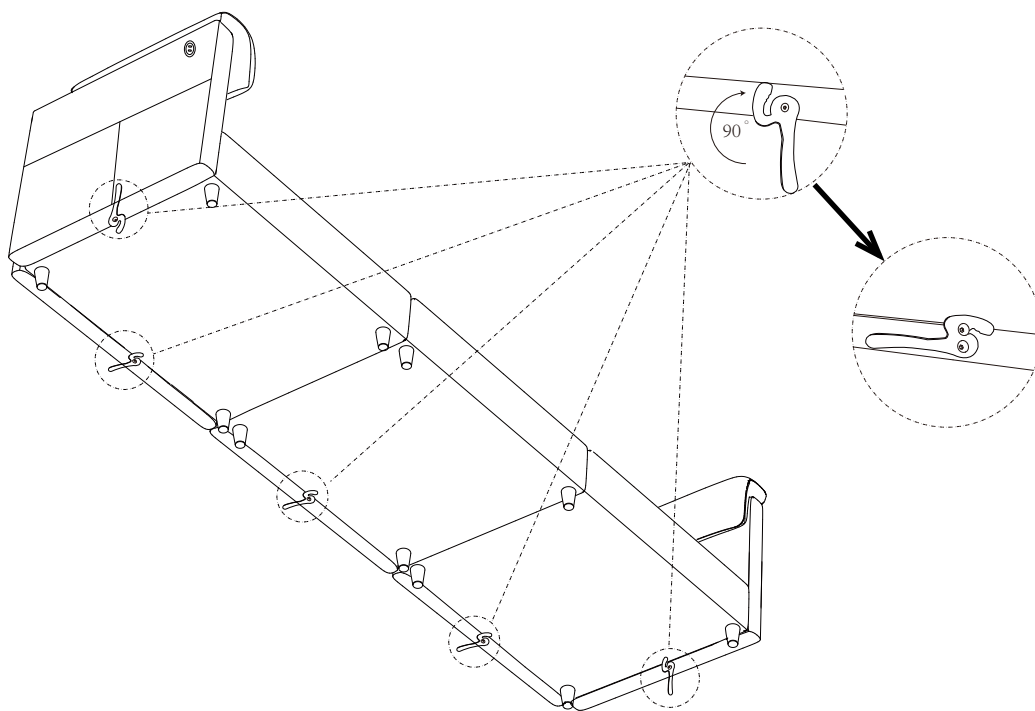
7

Connect the inside of the armrest&backrest to the seat frame as shown.



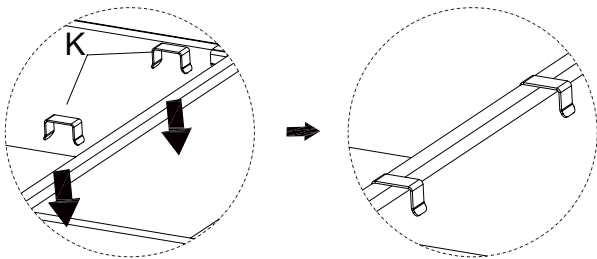
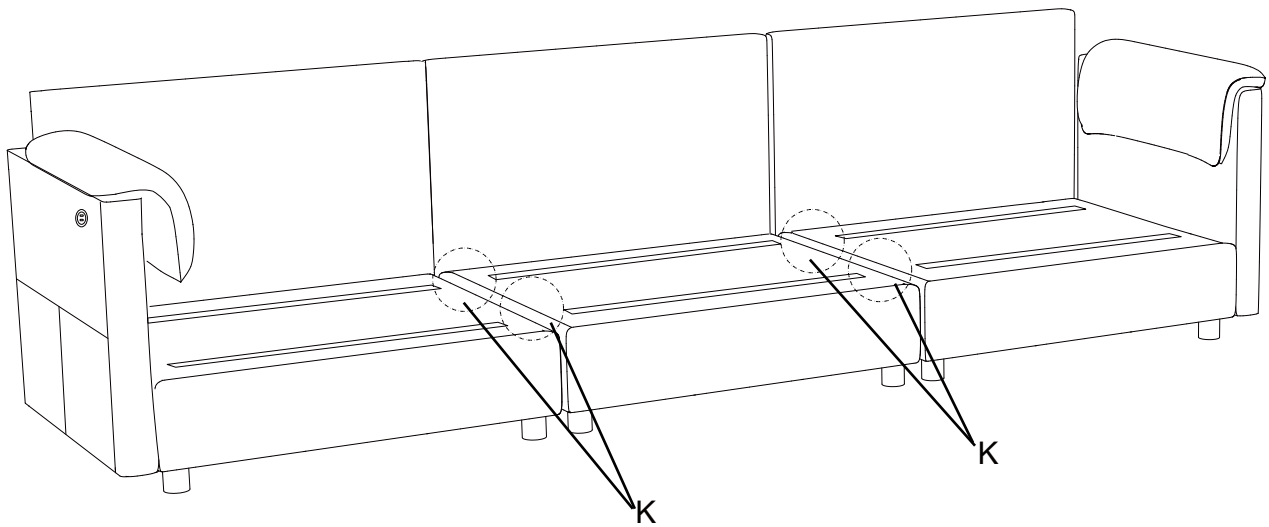
8

Rotate iron plate J to the position as shown in the diagram.

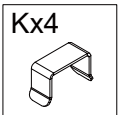


9

Multi position splicing can be achieved with K iron sheets.

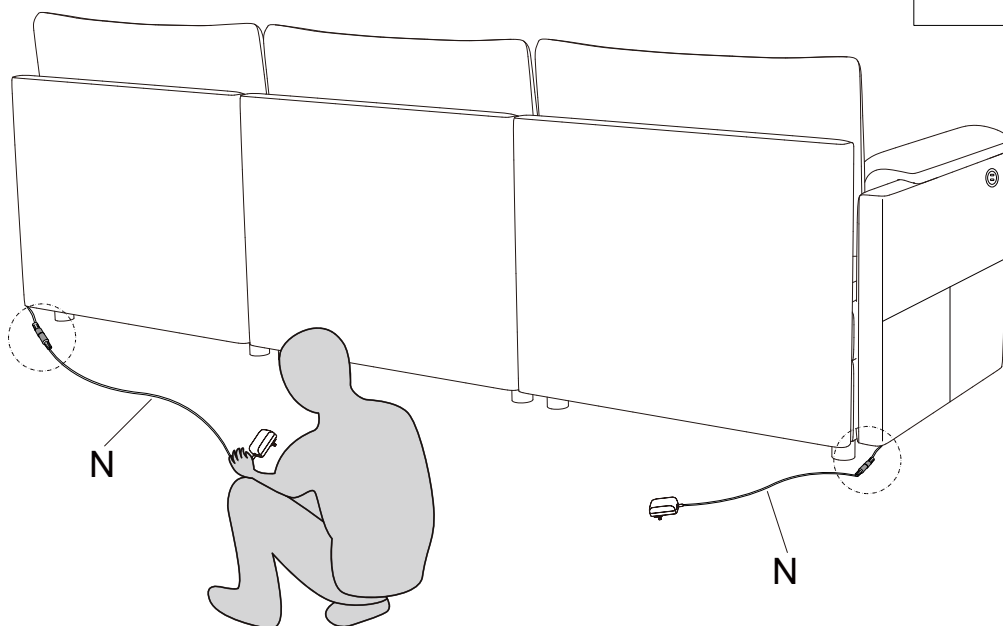
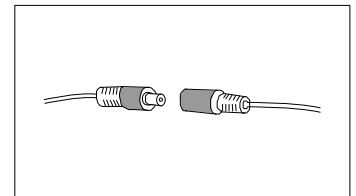


Note: When installing the connectors, lift one side of the sofa inward by 30-45 ° for easy installation.



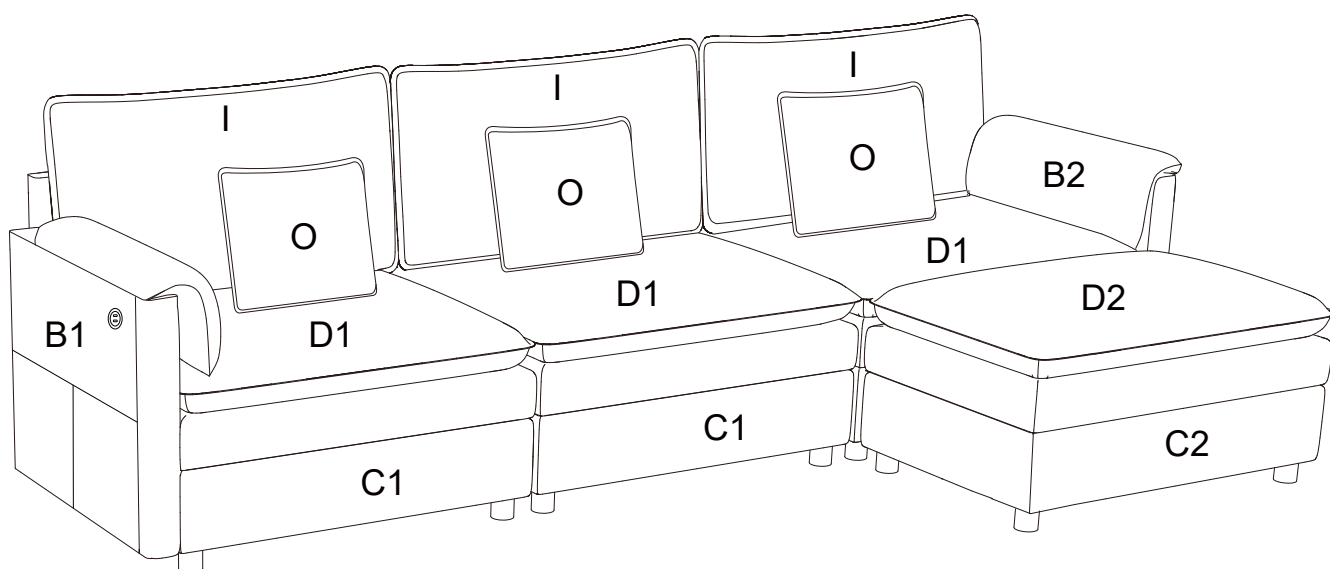
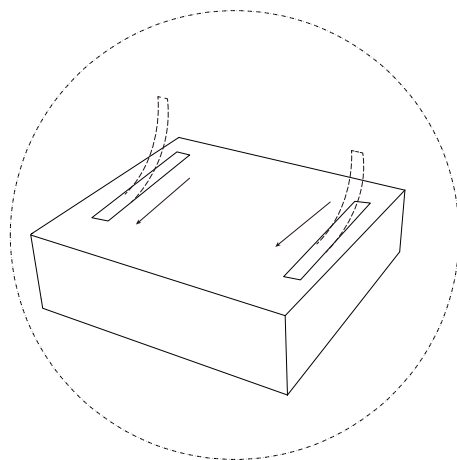
10

Connect the power supply.



11

Tear off the cloth strip on the top of the seat frame ,and place the seat cushion.



Notice:

› Due to the vacuum packaging treatment of the product, please wait 2-3 days after installation, it will naturally become fluffy.