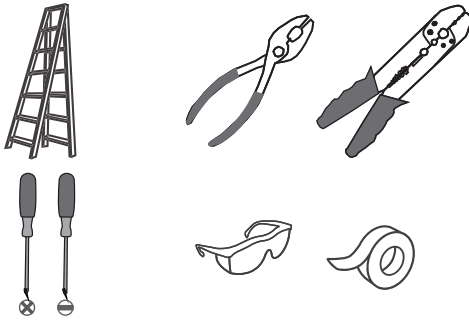
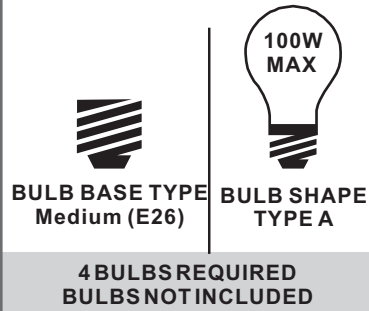


Installation Guide

Tools Required



Light Source



Fixture Height Adjustable 17.25" to 53.25"

⚠ Warnings and Cautions

Turn off the electricity at the circuit breaker before installation. Consult a licensed electrician if in doubt about installation.

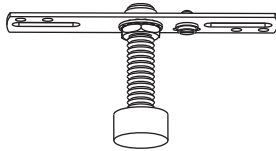
Turn off power to the fixture and allow the bulbs to cool before replacing.

Package Contents

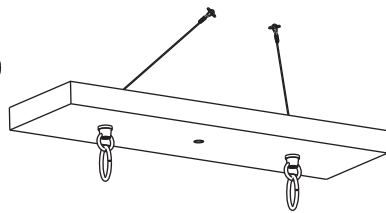
Preparation: Identify and inspect all parts before beginning the installation.

Missing or damaged parts? Contact your original place of purchase.

PARTS BAG



A Crossbar Assembly
x 1



C Ceiling Canopy
x 1



B Quick Link
x 2



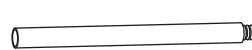
D Outlet Box Screw
x 2



E Wire Connector
x 3



F Small Loop
x 2



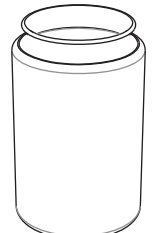
G 6" L Rod
x 4



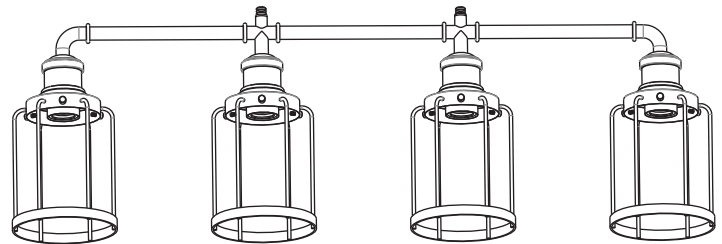
H 12" L Rod with Nipple
x 2



I 12" L Rod
x 2



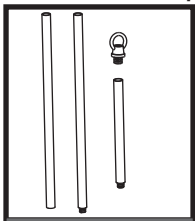
J Shade
x 4



K Fixture Body
x 1

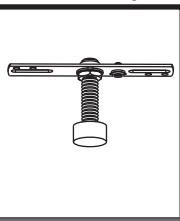
Table of Contents

Rods & Small Loop



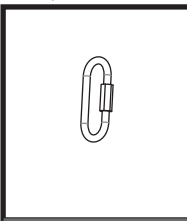
STEP 1

Crossbar Assembly



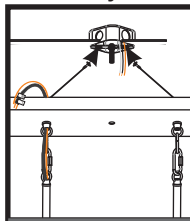
STEP 2

Quick Link



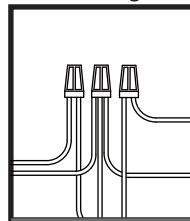
STEP 3

Lanyard



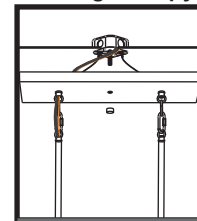
STEP 4

Wiring



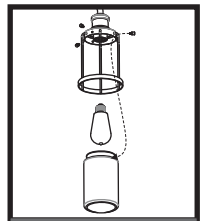
STEP 5

Ceiling Canopy



STEP 6

Bulb & Shade

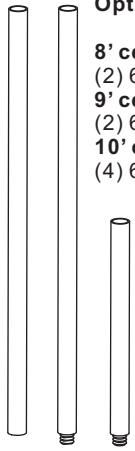


STEP 7

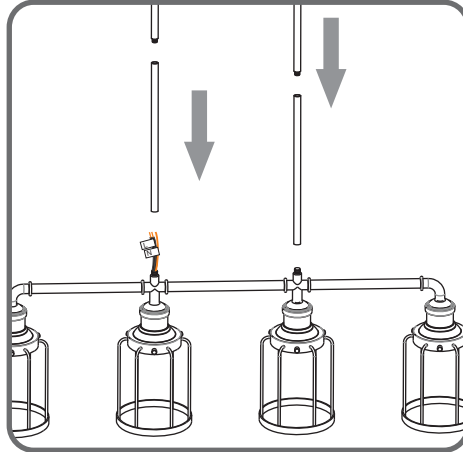
STEP 1

Optional Rods

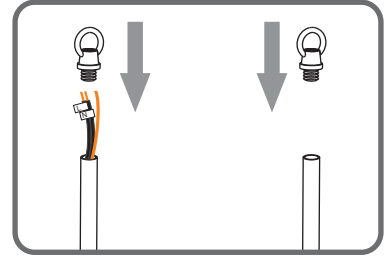
- 8' ceiling:
(2) 6"L + (2) 12"L rods
- 9' ceiling:
(2) 6"L + (4) 12"L rods
- 10' ceiling:
(4) 6"L + (4) 12"L rods



1



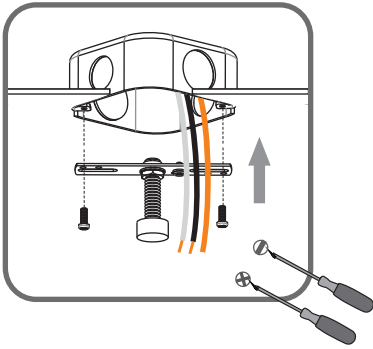
2



STEP 2

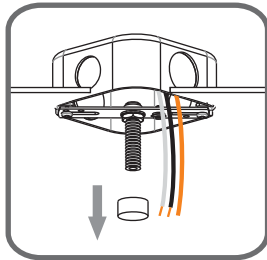
1

Step 1 Install crossbar assembly

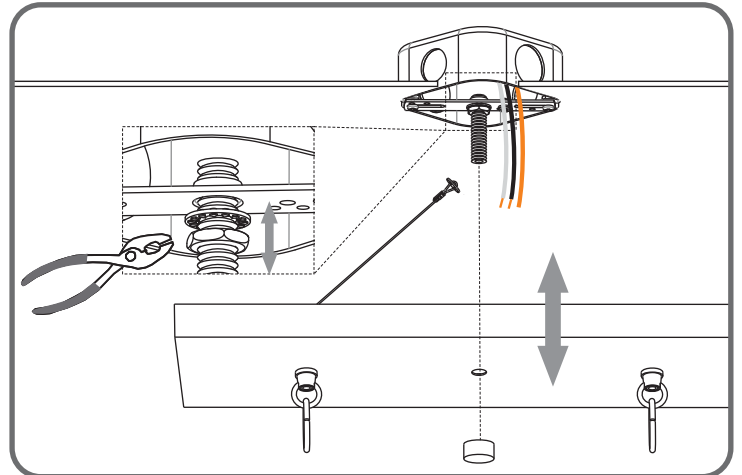


2

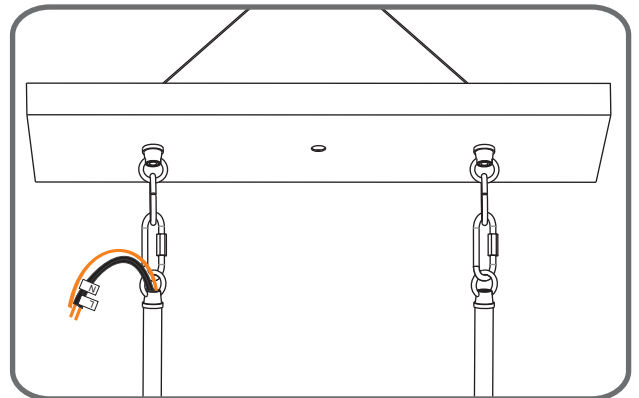
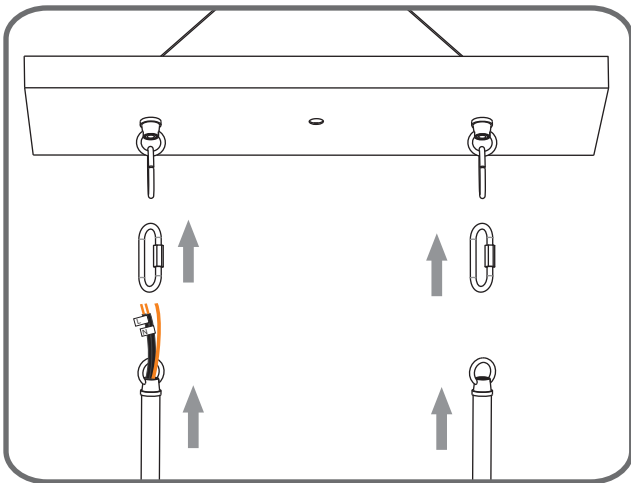
Step 2 - 3 Test fitting ceiling canopy to nipple



3



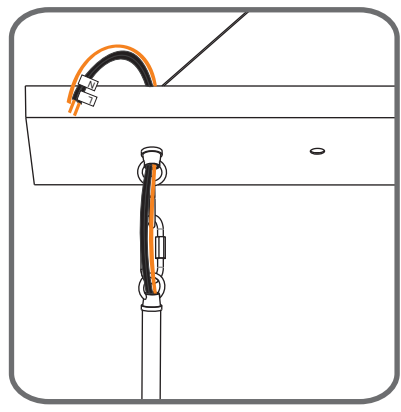
STEP 3



STEP 4

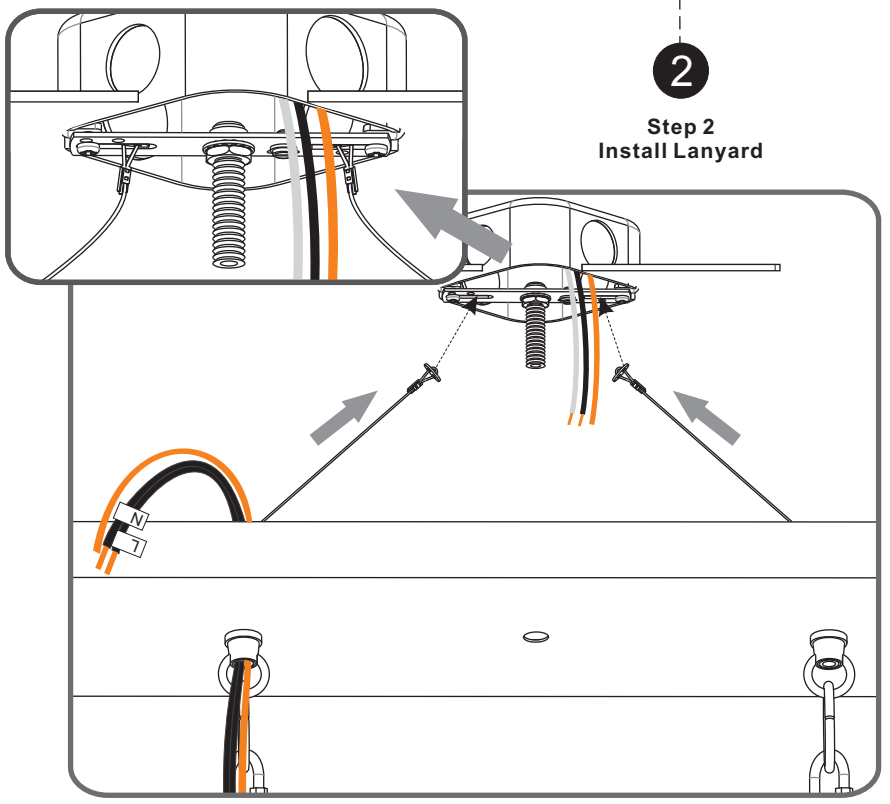
1

Step 1
Feed the fixture wires
through the ceiling canopy

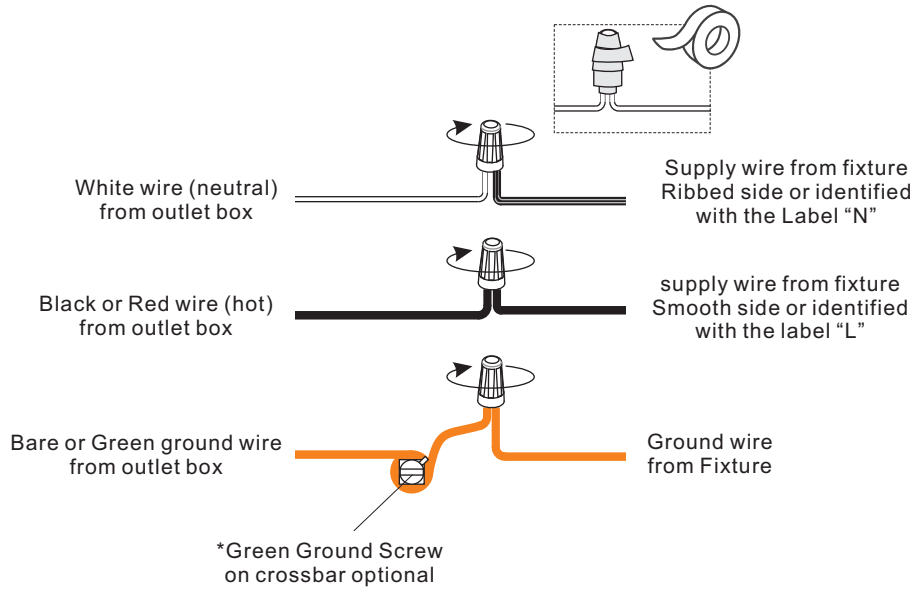


2

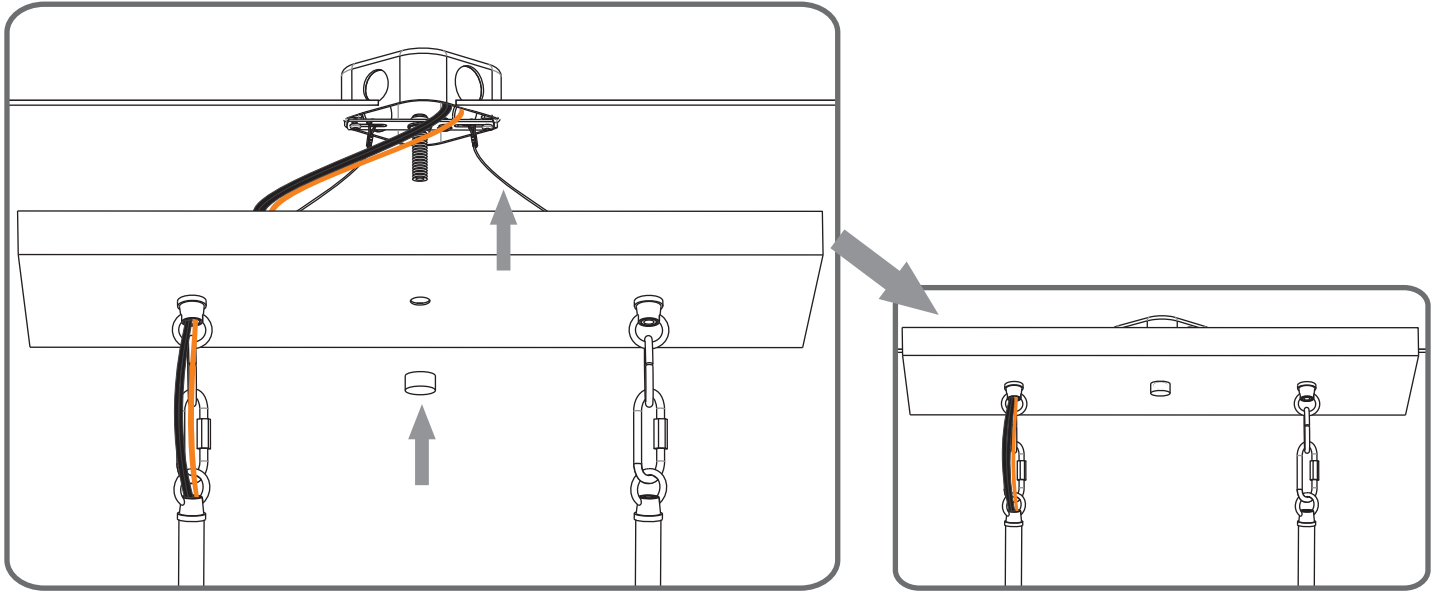
Step 2
Install Lanyard



STEP 5



STEP 6



STEP 7

