


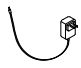
# ASSEMBLY INSTRUCTION

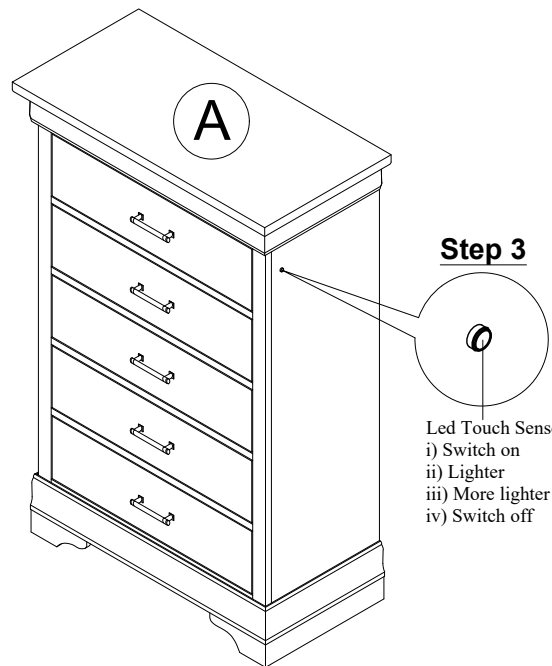
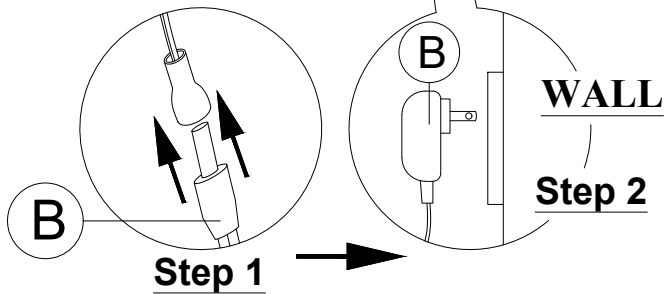
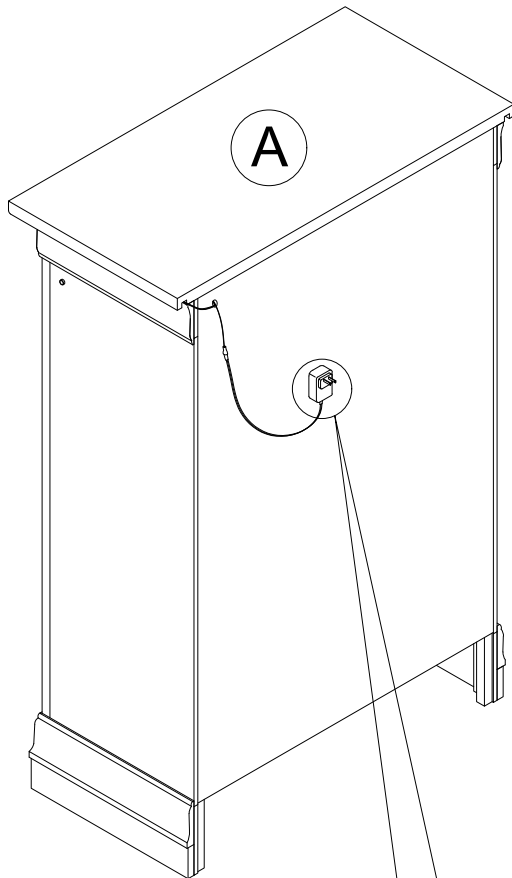
Description : CHEST WITH LED

Thank you for purchasing this quality product. Be sure to check all packing material carefully for small parts that may have come loose inside the carton during shipment.

## PART LIST :

## HARDWARE LIST :

No.	Description	Diagram	Quantity	No.	Description	Diagram	Size	Quantity
A	CHEST WITH LED		1	B	ADAPTOR			1



**Step 3**  
 Led Touch Sensor :  
 i) Switch on  
 ii) Lighter  
 iii) More lighter  
 iv) Switch off

**COMPLETED CHEST WITH LED ASSEMBLY**