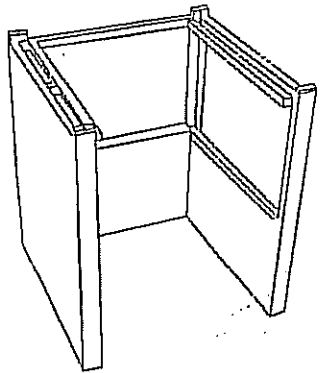


ASSEMBLING INSTRUCTION

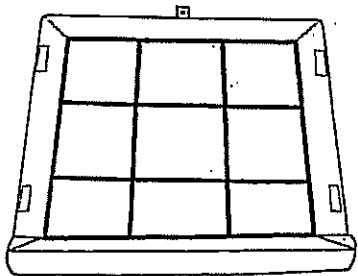
ITEM: CUBE CHAIR

PART LIST

Please check if you have all items listed below before assemble



← (A) = 1



← (B) = 1

Step 1: turn the chair (A) down, then place and mount the seat (B) to the chair, using bolt (1) and alen key (2). Don't wrench the bolt tightly until the last bolt placed and fit with the hole perfectly

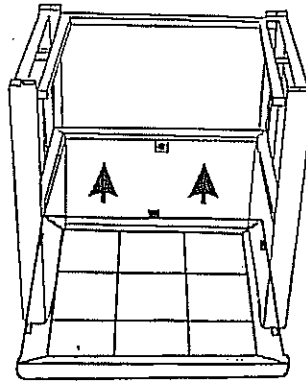


Fig.1

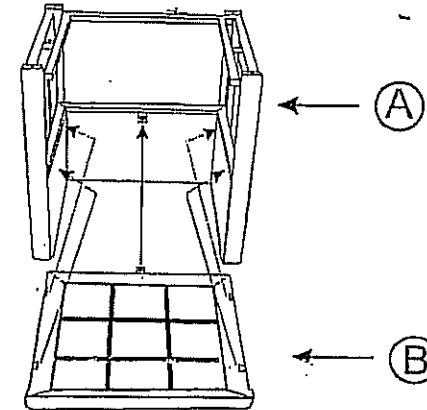


Fig.2

Step 2: check if all the bolts secured, then turn the chair upright

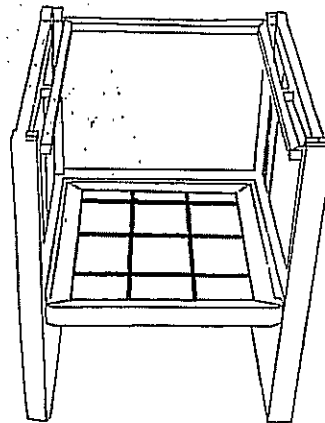


Fig.3

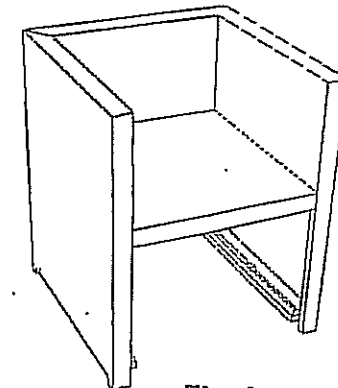

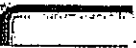

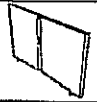

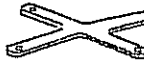







Fig.4

HARDWARE LIST

①		M6 X 25	5
②		L4 X 6	1

ASSEMBLY INSTRUCTION OF TABLE

No.	PARTS LIST	DESCRIPTION	QTY
A		TABLE TOP	1
B		TABLE LEG(a)	1
C		TABLE LEG(b)	1
D		LEG CONNECTOR	1
E		GLASS	1
F		BOLT CAP	8
G		BOLT(M6*20)	8
H		WASHER	8
I		ALLEN KEY	1

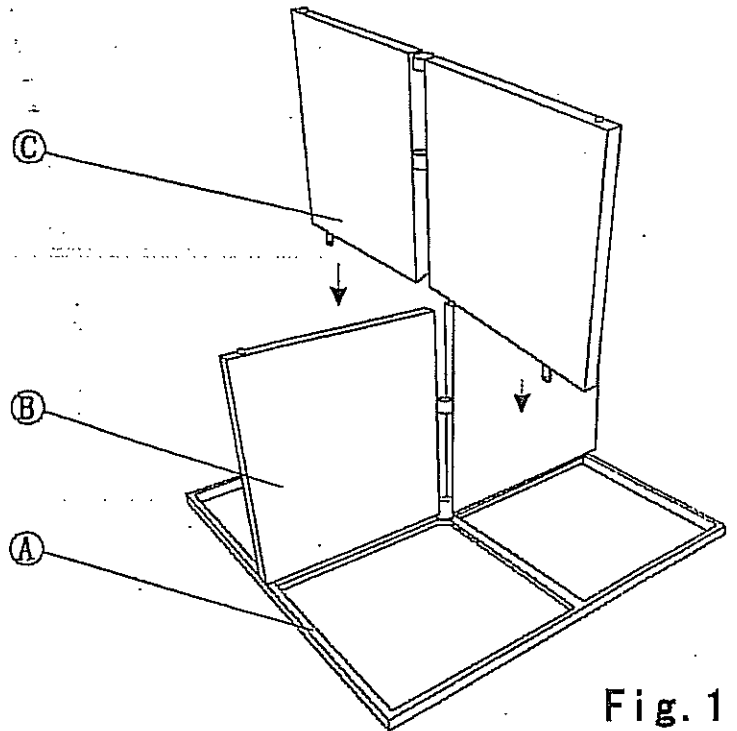


Fig. 1

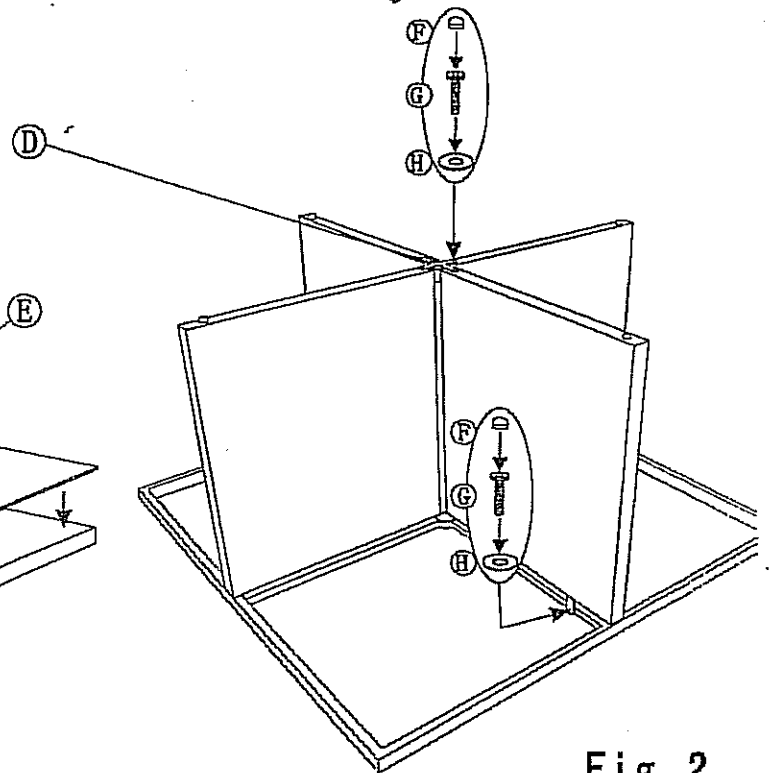


Fig. 2

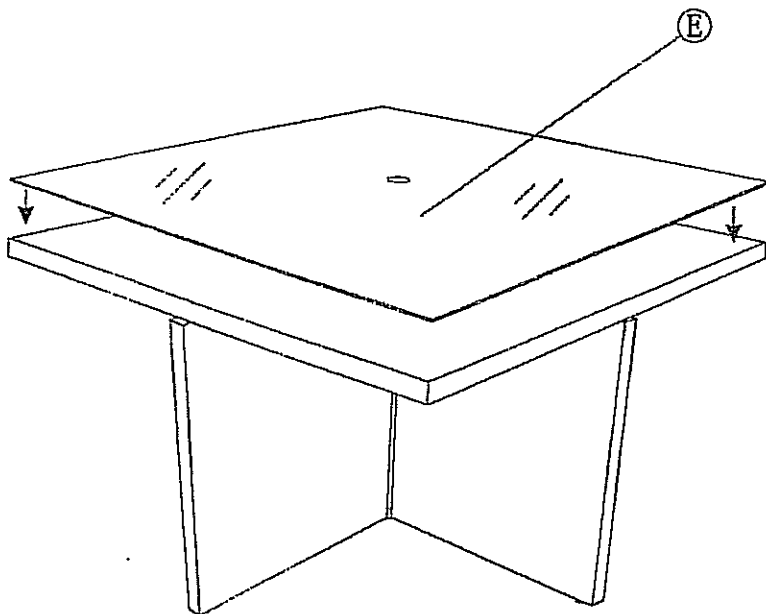


Fig. 3