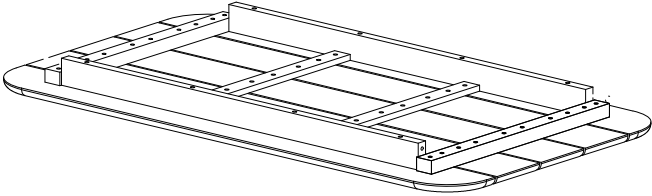
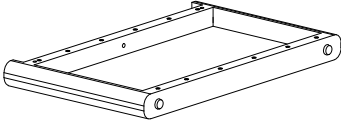




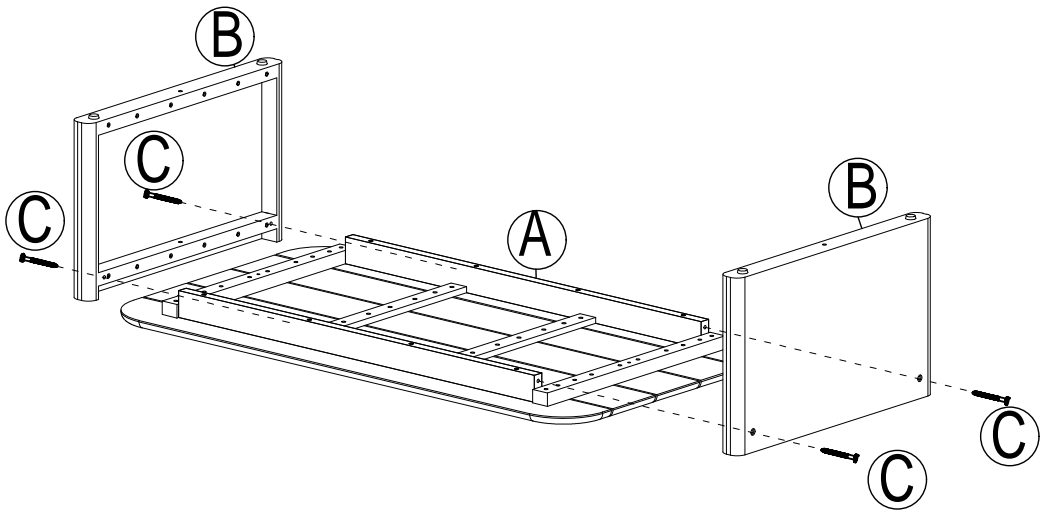


ASSEMBLY INSTRUCTIONS

NUMBER	COMPONENT	QUANTITY
A	 <p>TABLE TOP</p>	1PC
B	 <p>SUPPORTING FEET</p>	2PCS
C	 <p>SCREW M7X90 MM</p>	4PCS
D	 <p>SCREW M6X45 MM</p>	2PCS
E	 <p>PLASTIC LID</p>	4PCS
F	 <p>M4</p>	1PC

ASSEMBLY INSTRUCTIONS

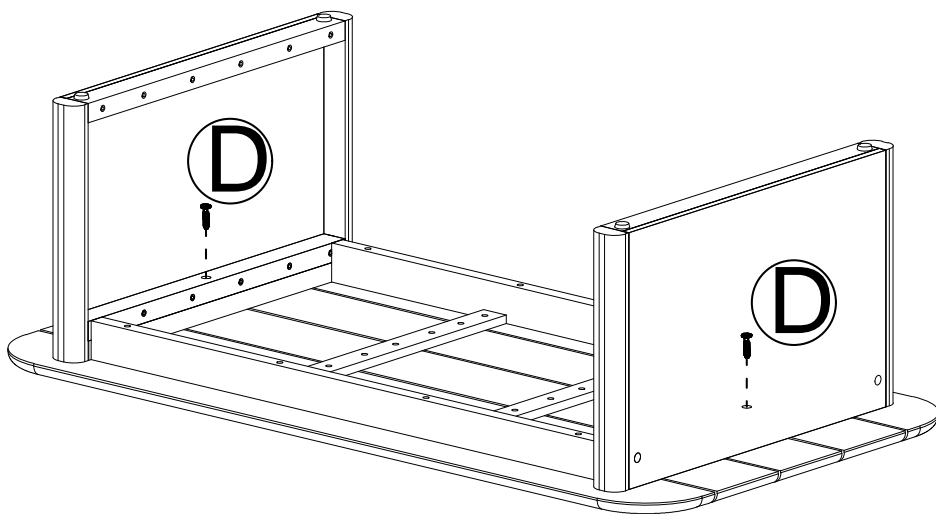
1



Use the Allen M4 (F) and the Screws 7X90 MM (C) to connect the Supporting Foot (B) to the Table Top (A).

ASSEMBLY INSTRUCTIONS

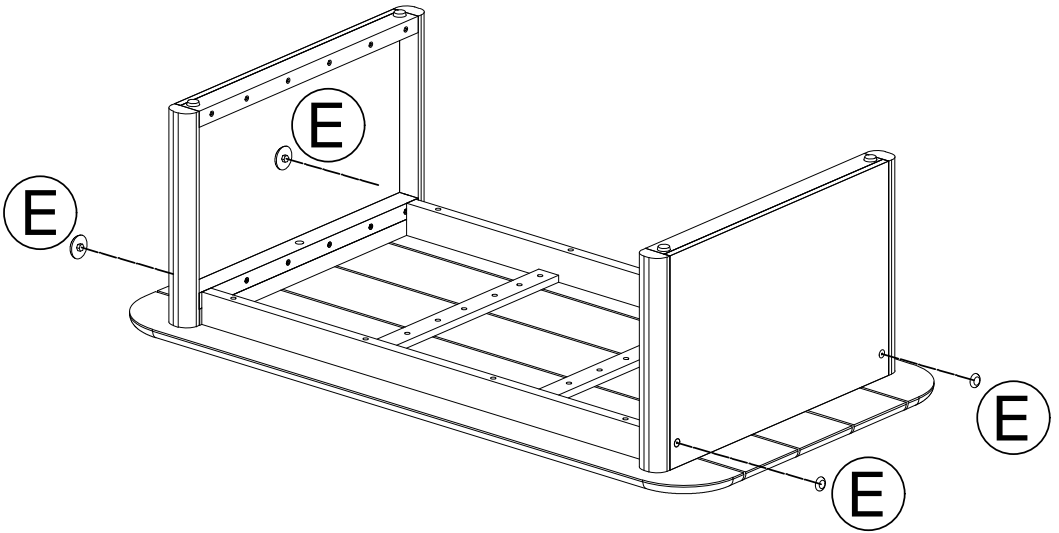
2



Use the Screws M6X45 MM (D) to secure the Supporting Foot (B) to the Table Top (A)

ASSEMBLY INSTRUCTIONS

3



Use the Plastic Lid (E) to cover the Screw Heads entirely.

ASSEMBLY INSTRUCTIONS

4

