

ASSEMBLY INSTRUCTIONS

SMALL TV UNIT

IMPORTANT: READ THESE INSTRUCTIONS CAREFULLY BEFORE ASSEMBLING OR USING YOUR SMALL TV UNIT.

PLEASE KEEP THESE INSTRUCTIONS FOR FUTURE REFERENCE.

HEALTH & SAFETY:

DO NOT use this item if any parts are missing, damaged or worn.

DO NOT use this item unless all fixings are secured.

Please keep small parts out of reach of children.

Always use on a level, even surface.

It is recommended that two people handle and assemble the item.

Advise you use the wall straps provided to further enhance the safety of this product. **CARE &**

MAINTENANCE:

Assemble in the room of use.

To avoid damages assemble the item on a soft, clean surface

Periodically check all screws & fixings to ensure they are secure.

DO NOT push the item as this will damage the base.

Always lift the item with two people to reposition.

Keep any sharp objects away from the item.

This product is manufactured in pine which is a wood with natural characteristics including knots, grains, clusters or indentations.

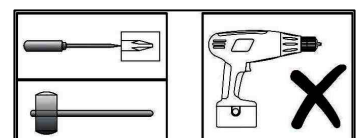
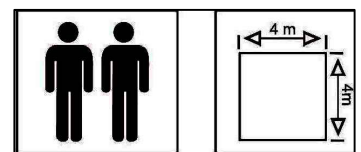
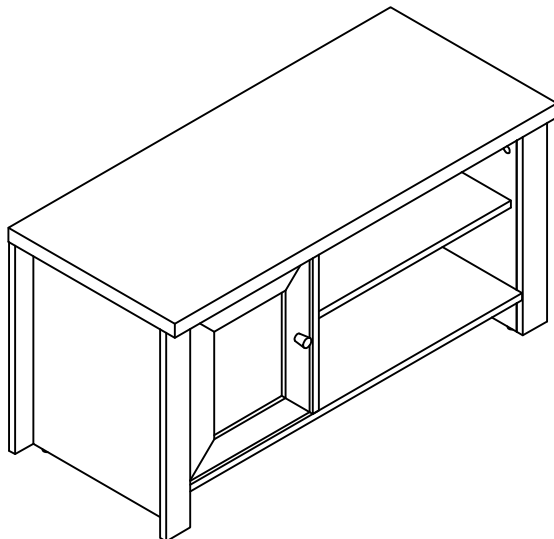
On unpacking the item you may notice an odour due to production processes but this will disappear after a period of time.

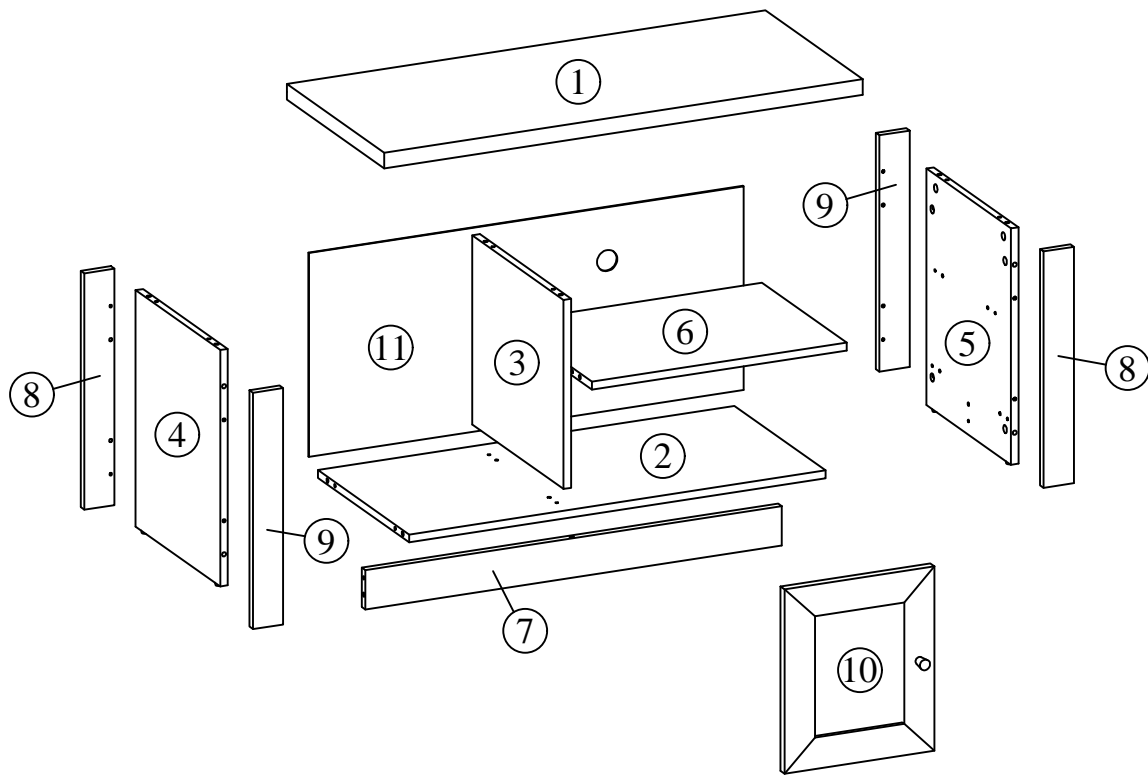
DO NOT place the item next to a radiator or direct sunlight - this item is susceptible to temperature change. It is recommended an even room temperature be maintained with no sudden fluctuations.

DO NOT place hot or cold items directly onto the surface of the item as marking will occur

For general cleaning use a duster or damp cloth (almost dry) not wet - do not use soap and water, detergents, aerosol sprays or any polish as use of these materials would invalidate any claims.

DO NOT place the item onto wet or damp flooring as staining may occur to the floor.







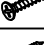


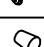
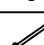
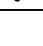


PARTS LIST

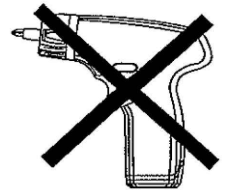
Carton 1 of 1:

Part	Description	Qty
1	Top Panel	1
2	Bottom Panel	1
3	Divider Panel	1
4	Left Panel	1
5	Right Panel	1
6	Shelf Panel	1
7	Plinth Panel	1
8	Right Front & Left Back Post Panel	2
9	Left Front & Right Back Post Panel	2
10	Door	1
11	Back Panel	1

HARDWARE LIST: Carton 1 of 1







Part	Description	Qty
A	CAM NUT 15mm 	25
B	CAM BOLT 	25
C	WOOD DOWEL M6 x 25mm 	26
D	PVC NAIL 	4
E	CSK SCREW M4 x 45mm 	2
F	CSK SCREW M4 x 16mm 	8
G	HINGES 7/8" 	2
H	T/MS SCREW M4 x 22mm 	1
I	TXM NOSE ROUND HANDLE 	1
J	NAIL 	35

** You will need a screwdriver and a small mallet (NOT provided)

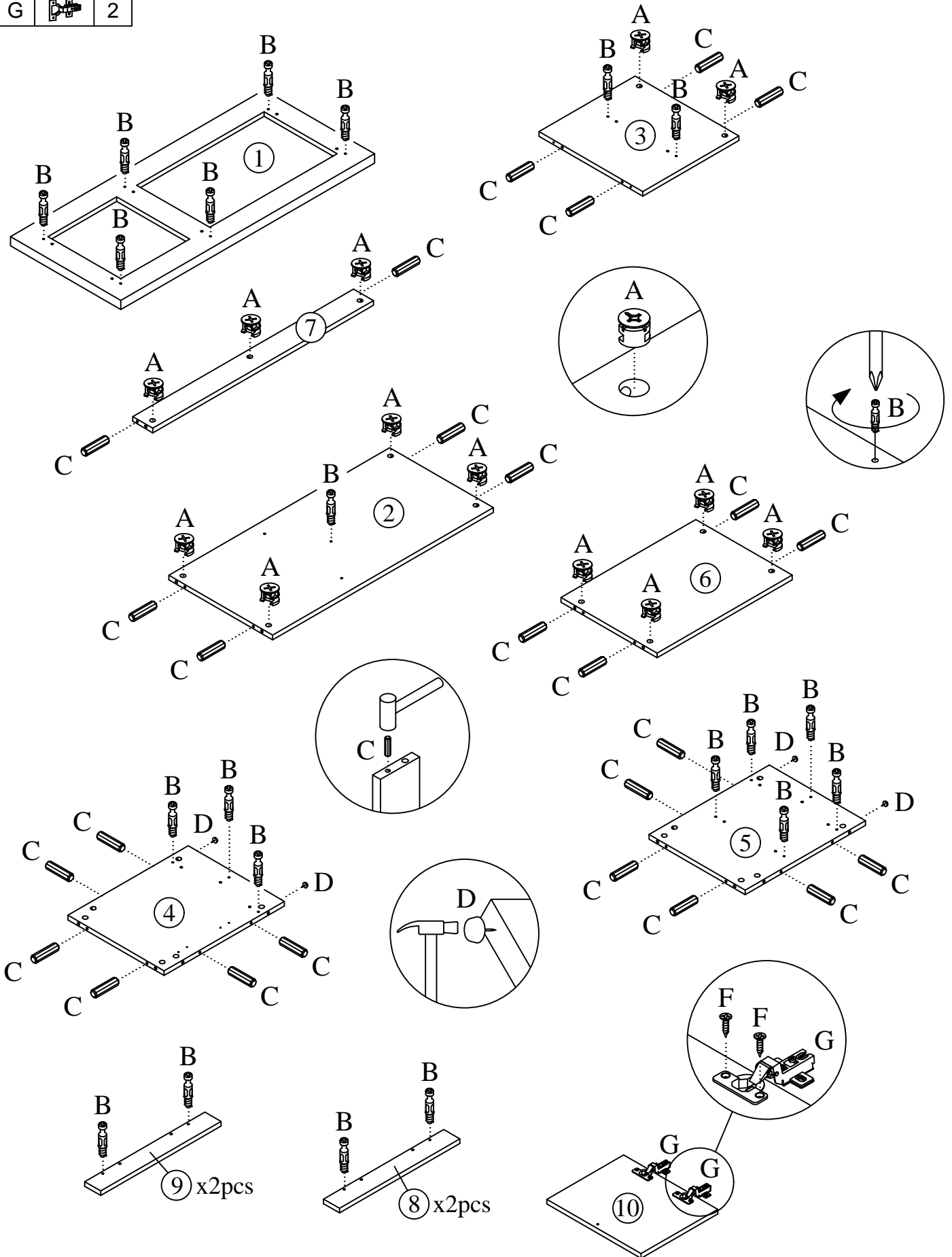


** WARNING: THE USE OF POWER TOOLS TO ASSEMBLE THIS PRODUCT WILL INVALIDATE ANY CLAIM AND MAY DAMAGE THIS PRODUCT MAKING IT UNSAFE.

1

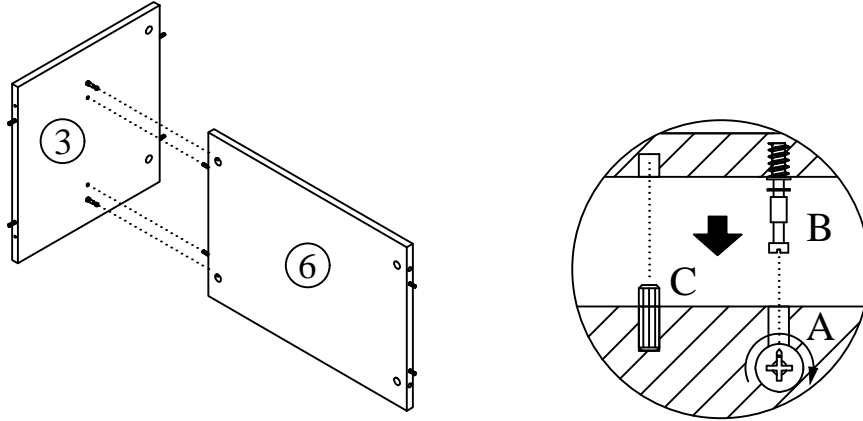
A		13
B		25
C		26
D		4
F		4
G		2

Insert hardware part A & part B using a screwdriver (not provided). Insert hardware part C using a small mallet (not provided). Insert hardware part D using a small mallet (not provided). Fix Hinges (G) using Screw (F) by screwdriver (not provided). DO NOT use any power tools as this may damage the frame and will invalidate any claim.



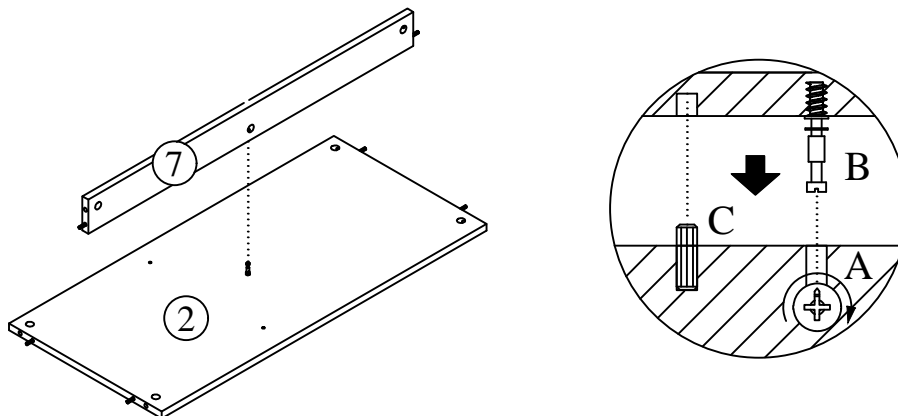
2

Attach the Divider Panel (3) to Shelf Panel (6) by screwdriver (not provided).
DO NOT use any power tools as this may damage the frame and will invalidate any claim.



3

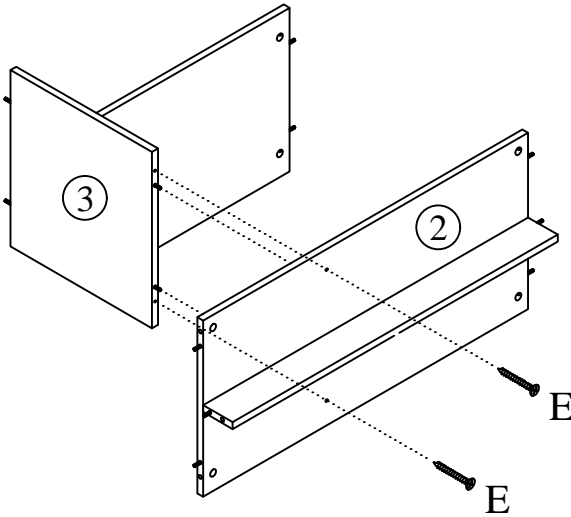
Attach the Plinth Panel (7) to Bottom Panel (2) by screwdriver (not provided).
DO NOT use any power tools as this may damage the frame and will invalidate any claim.



4



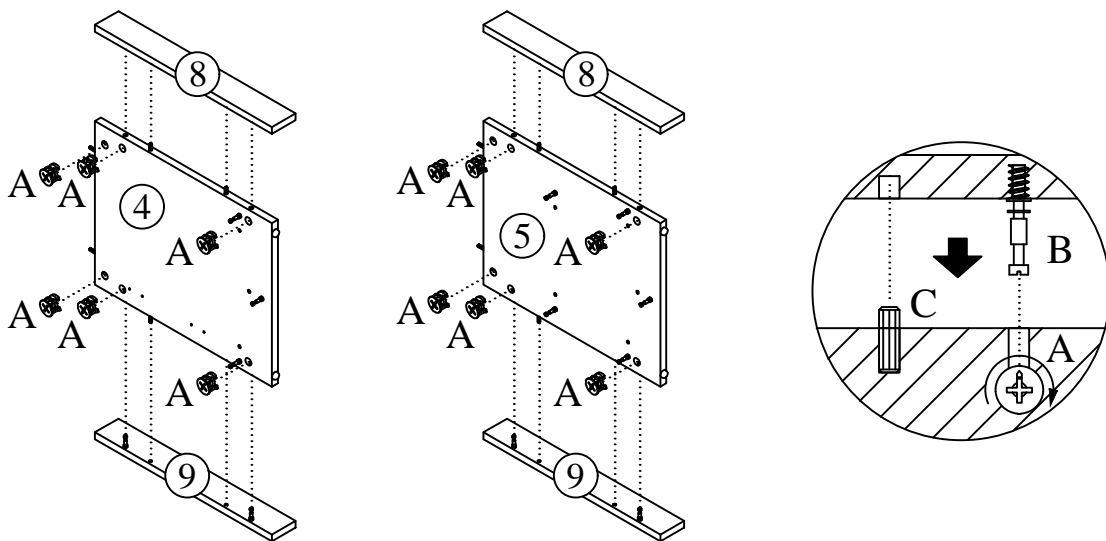
Attach the Divider Panel (3) to Bottom Panel (2) with Screw (E) by screwdriver (not provided).
DO NOT use any power tools as this may damage the frame and will invalidate any claim.



5



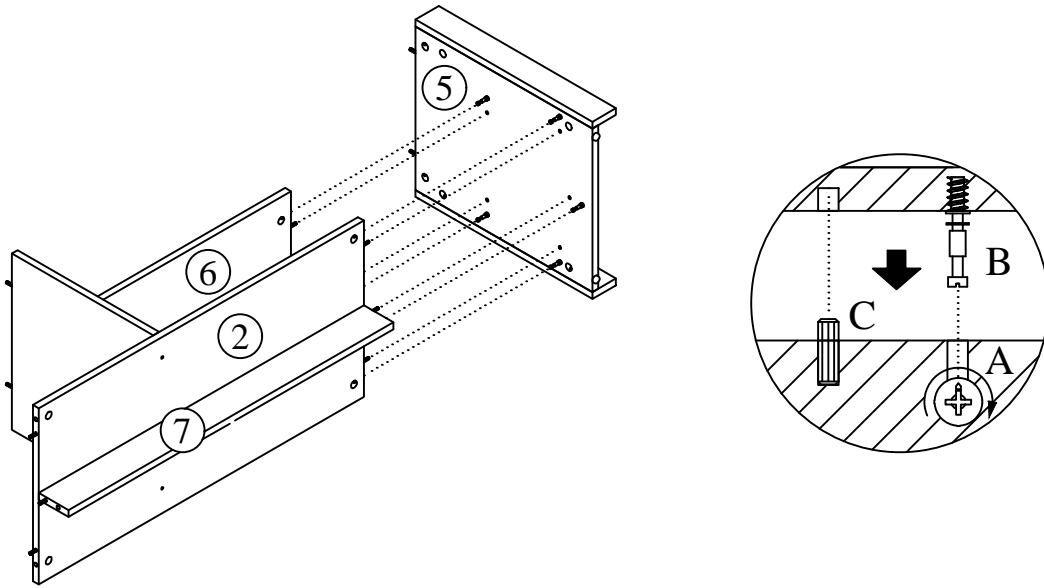
Attach the Right Front & Left Back Post Panel (8) and Left Front & Right Back Post Panel (9) to Left Panel (4) and Right Panel (5) by screwdriver (not provided).
DO NOT use any power tools as this may damage the frame and will invalidate any claim.



6

Attach the Right Panel (5) to Shelf Panel (6) and Bottom Panel (2) and Plinth Panel (7) by screwdriver (not provided).

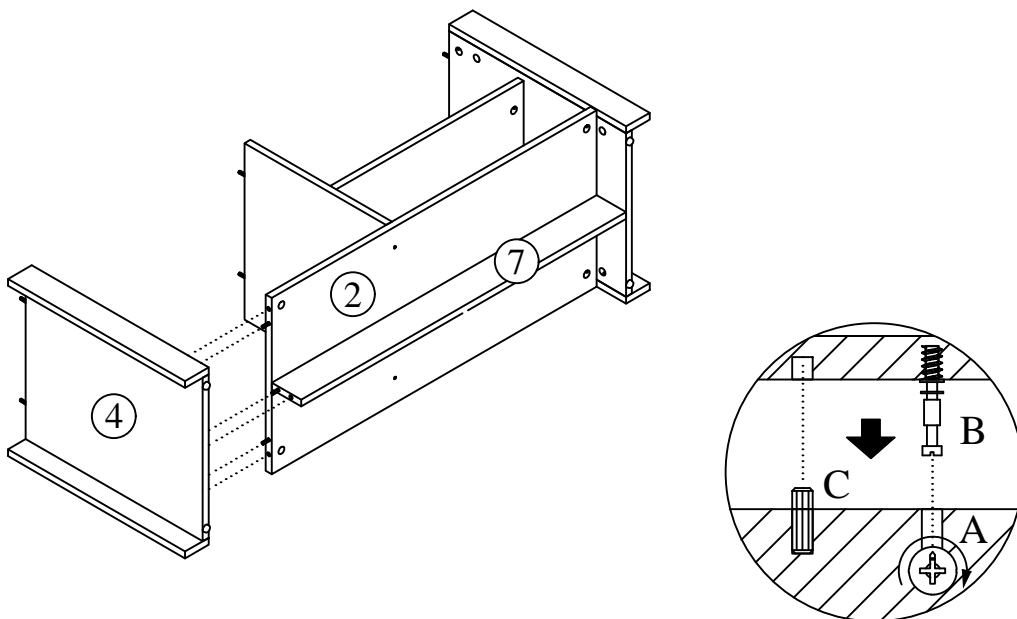
DO NOT use any power tools as this may damage the frame and will invalidate any claim.



7

Attach the Left Panel (4) to Bottom Panel (2) and Plinth Panel (7) by screwdriver (not provided).

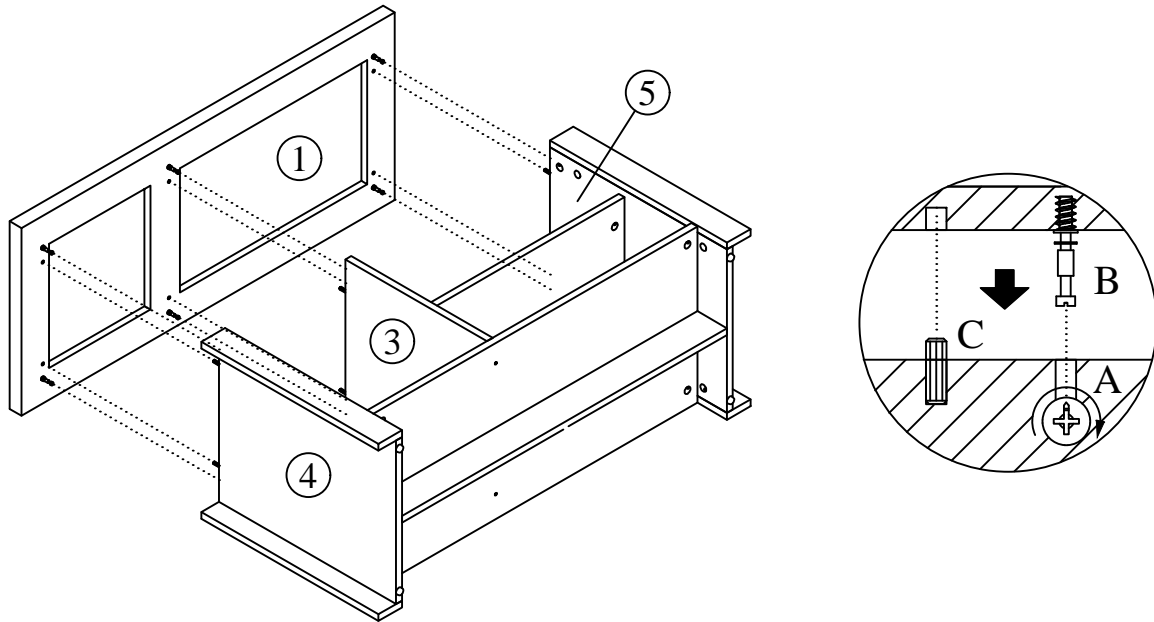
DO NOT use any power tools as this may damage the frame and will invalidate any claim.



8

Attach the Top Panel (1) to Divider Panel (3) and Left Panel (4) and Right Panel (5) by screwdriver (not provided).

DO NOT use any power tools as this may damage the frame and will invalidate any claim.

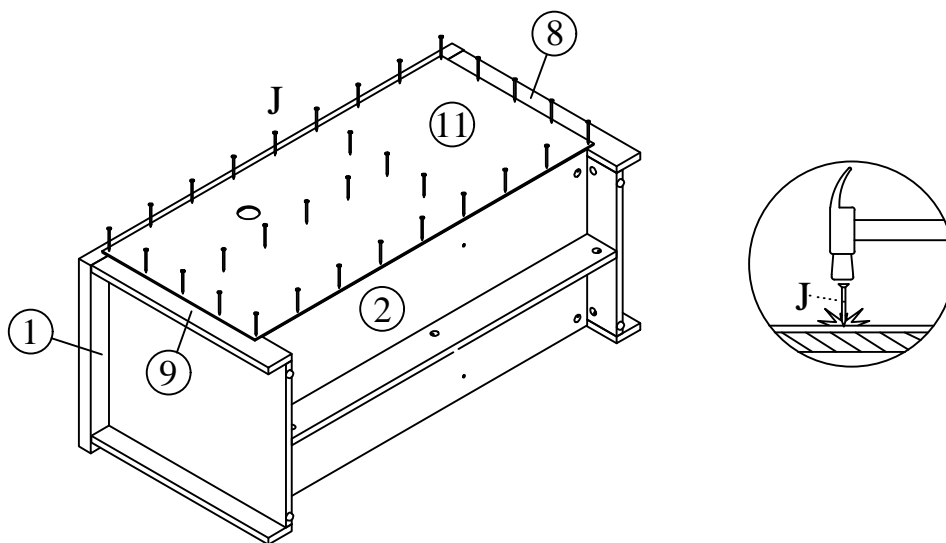


9






Attach the Back Panel (11) with Nail (J) by small mallet (not provided).

DO NOT use any power tools as this may damage the frame and will invalidate any claim.



10

F		4
H		1
I		1

Fix Hinges (G) onto Left Panel (4) with Screw (F) by screwdriver (not provided).
Fix Handle (I) with Screw (H) as shown by screwdriver (not provided).

DO NOT use any power tools as this may damage the frame and will invalidate any claim.

