

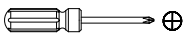
ASSEMBLY INSTRUCTIONS

ASSEMBLY
REQUIREMENTS

2-Person
Assembly

Assembly Time 60 Minutes
(Approximate)

Tools Required
(Not Provided)

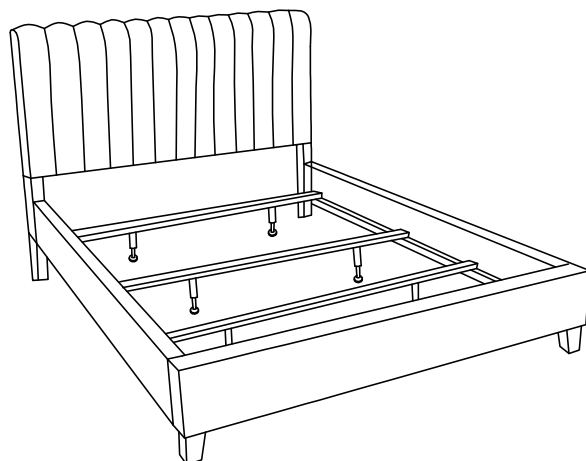
 Phillips Screwdriver

Thank you for purchasing our product!

Please refer and use this assembly instruction to assemble the product. Contact our customer service department in case there are any missing or damage parts or hardware. Replacement parts are normally shipped within 2 or 3 days.

Within 30 days from delivery date

We appreciate your business!



ASSEMBLY PREPARATION

1. Remove all packaging materials, staples and packing straps from the carton.
2. Refer to Parts List and Hardware List, and ensure parts and hardware are correct before assembly. Contact customer service for missing parts.
3. Place all wooden parts on a clean, flat and soft surface (e.g. carpet or rug) to prevent parts from getting scratched.

SAFETY PRECAUTION

1. KEEP ALL HARDWARE PARTS OUT OF REACH OF CHILDREN.
2. DISPOSE PLASTIC PACKAGING MATERIAL IMMEDIATELY TO AVOID ANY RISK OF SUFFOCATION TO CHILDREN AND ANIMALS.

TIPS FOR ASSEMBLY

1. Allow ample room for assembly and in close proximity to where product will be placed.
2. Assemble the product on a surface that does not scratch or damage the exterior gloss and finish of the furniture.
3. Identify all of the parts, hardware and quantities required for each step.
4. During assembly, do not over-tighten any fittings as this may cause damage.
5. DO NOT USE POWER TOOLS TO ASSEMBLE THIS PRODUCT.
6. Always place the product on a flat, level surface.
7. Do not sit or stand on the partially assembled product; only use the product for which it is intended.

CARE AND MAINTENANCE

- Use a slightly damp cloth to clean the product. Do not use bleach or abrasive cleaning material.
- Check all the fittings periodically and re-tighten as necessary. Do not use the product if any of the parts is damaged or broken.
- Never allow any kind of liquid to remain on your furniture. Absorption can cause wood to warp or delaminate.
- Do not place hot items (e.g. hot drinks) directly onto the wood surface.
- Do not drag and/or pull the furniture.

This product is for indoor and household use only - not for commercial use.

ASSEMBLY INSTRUCTIONS

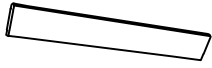
Parts & Hardware List

A Footboard



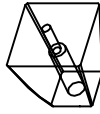
1 pc

B Side Rails



2 pcs

C Wooden Leg



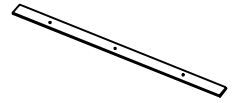
2 pcs

D Support Leg



6 pcs

E Wooden Slat



3 pcs

F Screw



12 pcs

G Bolt
1/4" x 75mm



2 pcs

H Bolt
1/4" x 50mm



6 pcs

I Flat Washer



8 pcs

J Lock Washer



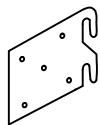
8 pcs

K Allen Wrench



1 pc

L Hook/Claw



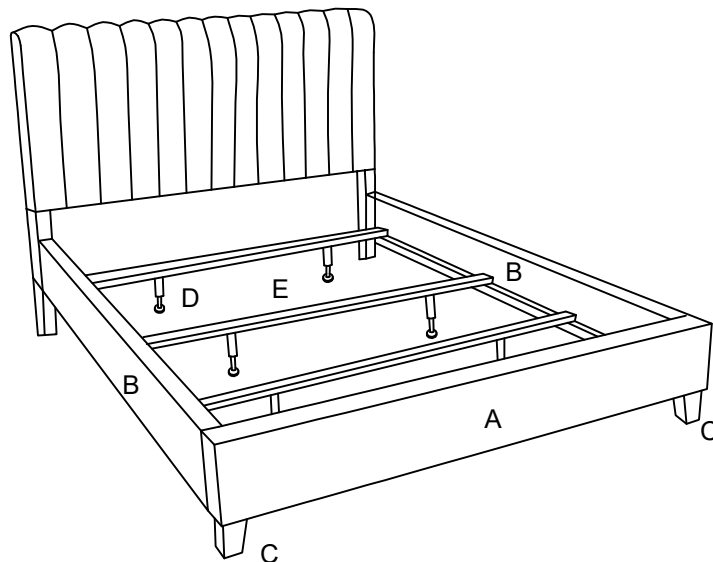
4 pcs

M Brass Screw



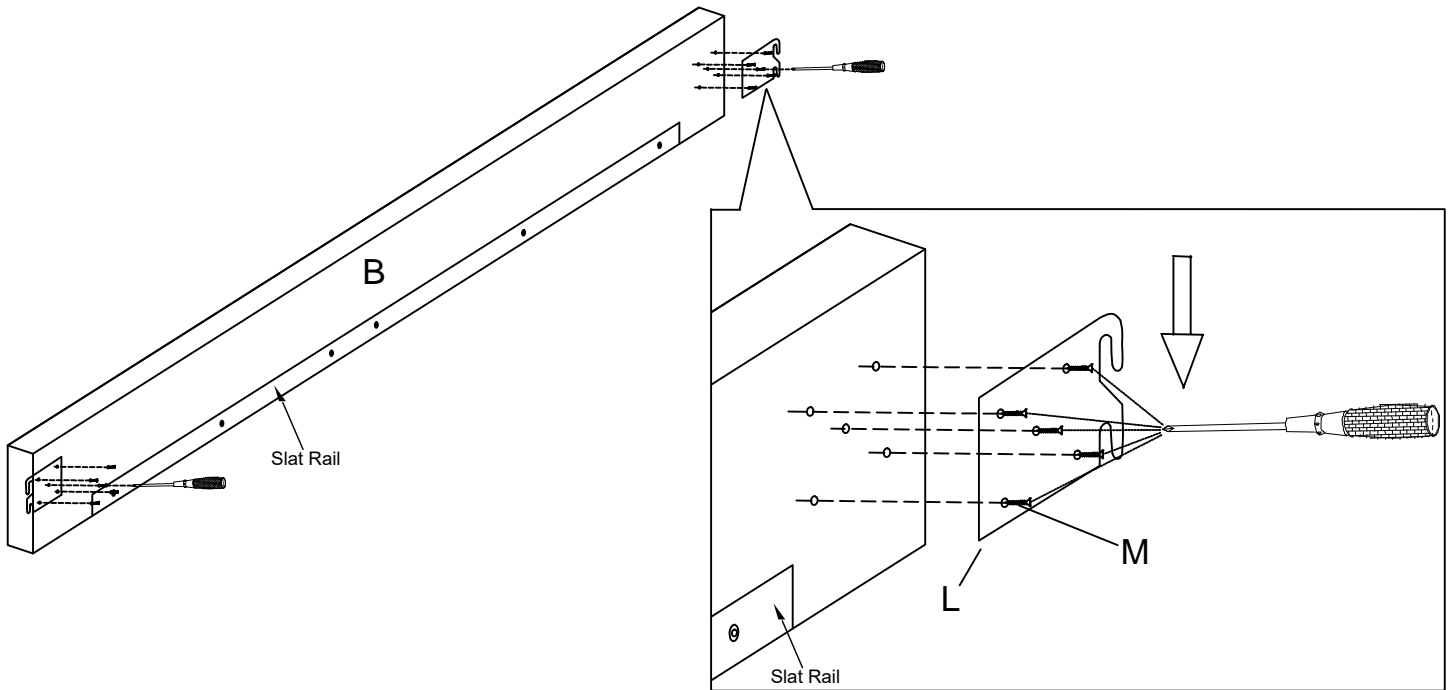
20 pcs

Parts and Assembly Overview

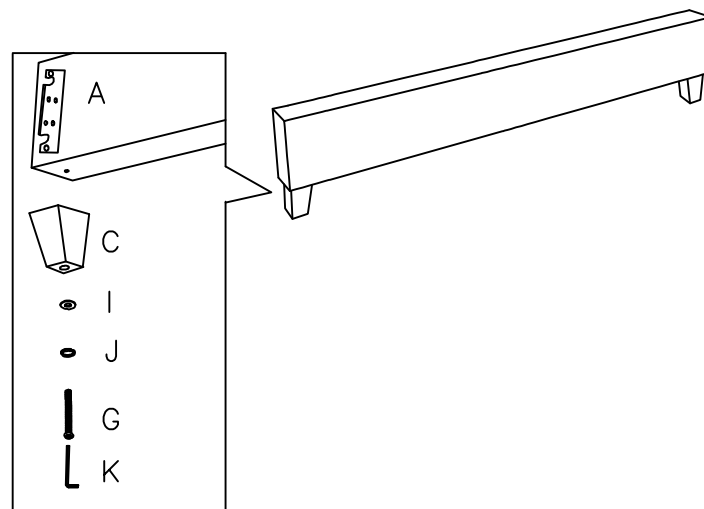


ASSEMBLY INSTRUCTIONS

- 1 Align the screw holes on Hook/Claw (L) to the pilot holes on Side Rail (B) and use Brass Screw (M) to fasten (L) to (B). Do not tighten (M) completely until all of the screws are in place.



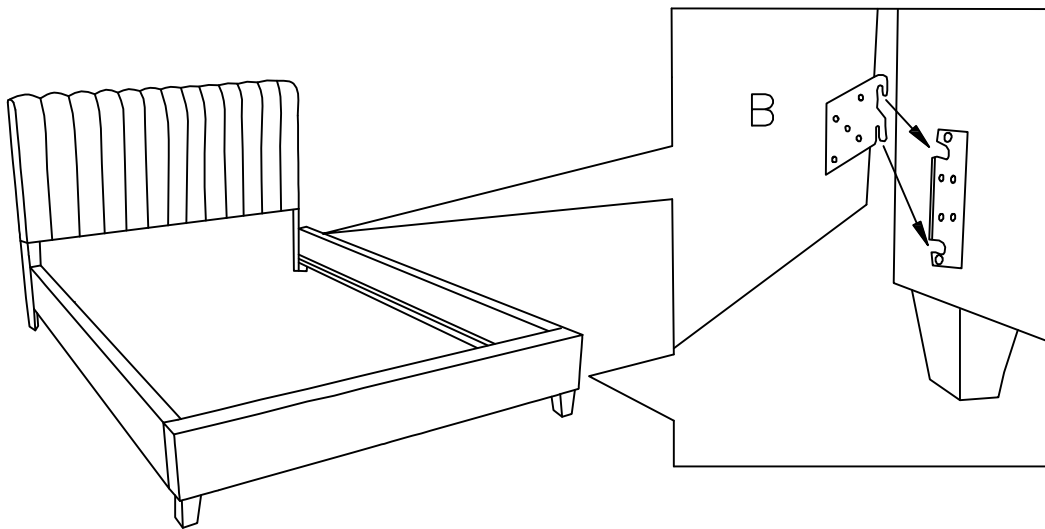
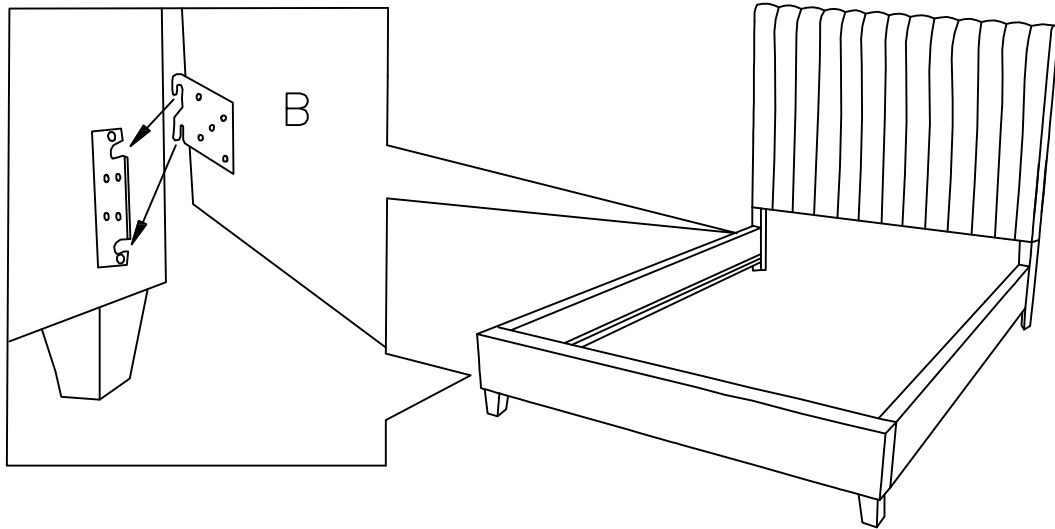
- 2 Use Bolt (G) fitted with Lock Washer (J) and Flat Washer (I) to fasten Wooden Leg (C) to the Footboard (A). Use the Allen Wrench (K) to drive and tighten Bolt (G) completely.



ASSEMBLY INSTRUCTIONS

3

With assistance, attached Side Rail (B) to the Headboard and Footboard (A) as shown.



ASSEMBLY INSTRUCTIONS

4

- a) Align screw holes at each end of Slat (E) to the pilot holes on the Side Rail and fasten with Screw (F).
- b) Locate designated holes for adjustable Support Leg (D) on (E) and fasten with Bolt (H) fitted with Lock Washer (J) and Flat Washer (I). Use Allen Wrench (K) to tighten bolt completely.
- c) Adjust Support Leg (D) to ensure each leg lands on the floor vertically where the bed is set.

The assembly of the bed frame is complete.

