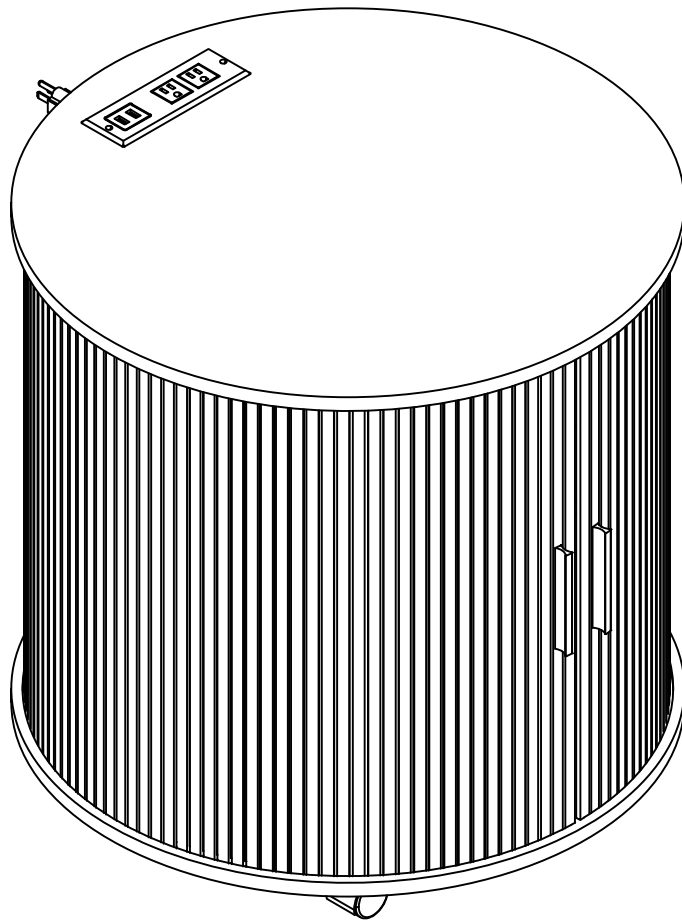
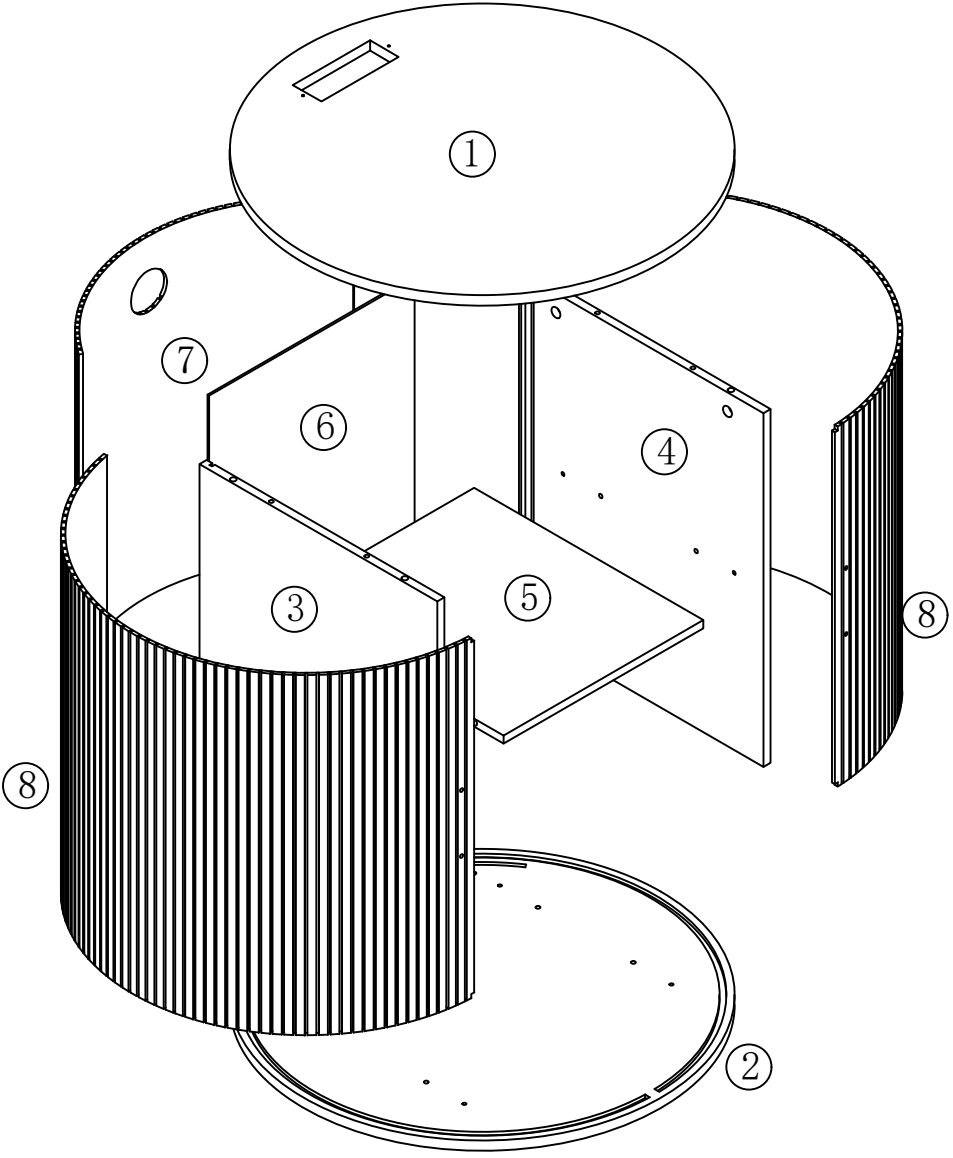


Installation Instruction

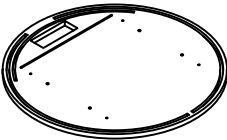


The Accessoriess



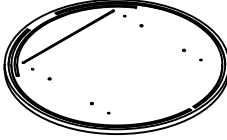
Included Accessories

①



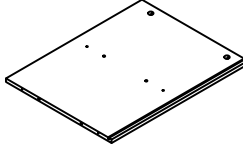
1pc

②



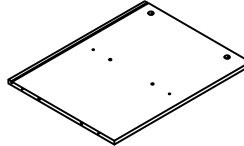
1pc

③



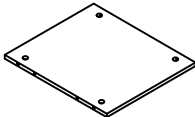
1pc

④



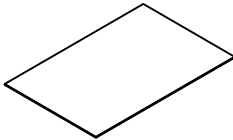
1pc

⑤



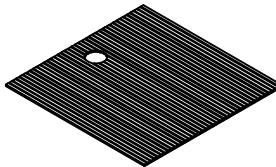
1pc

⑥



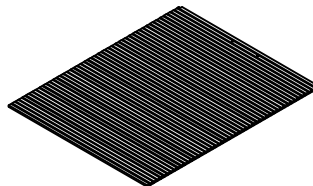
1pc

⑦



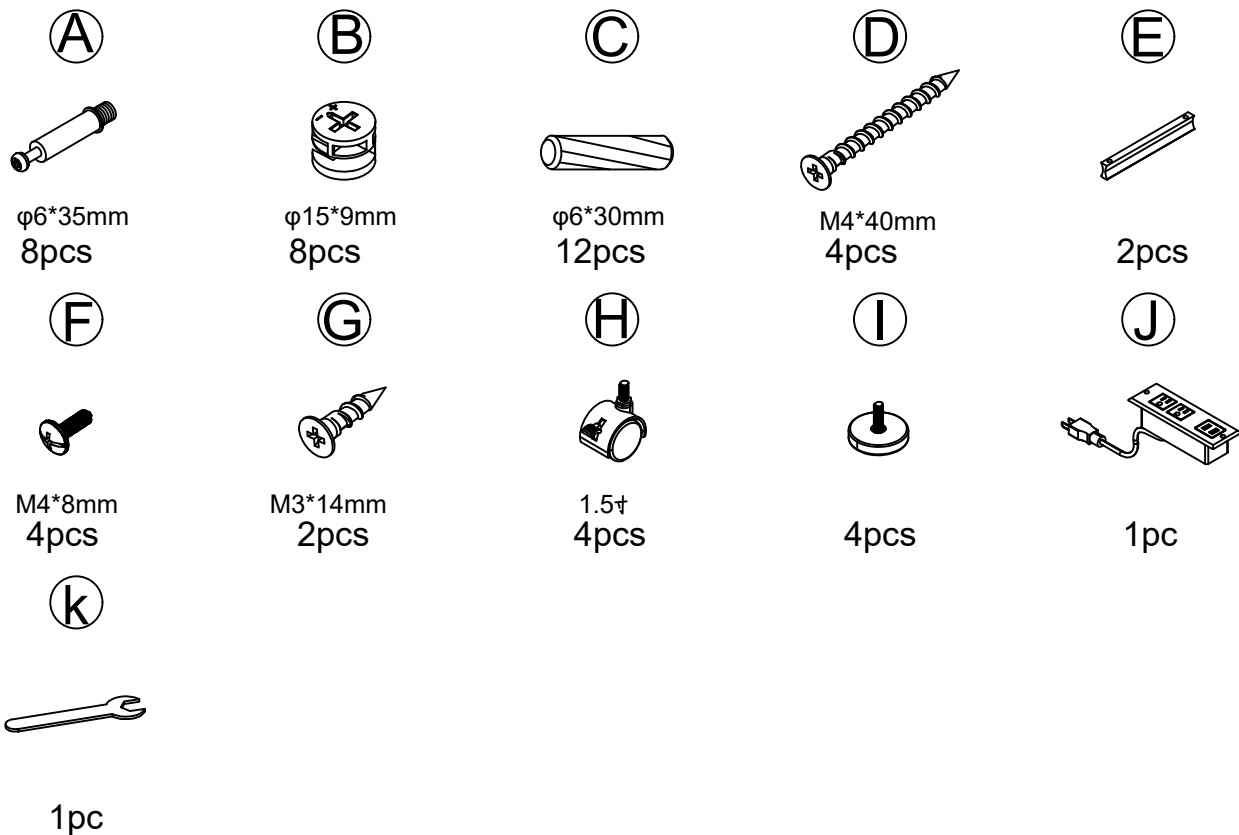
1pc

⑧



2pcs

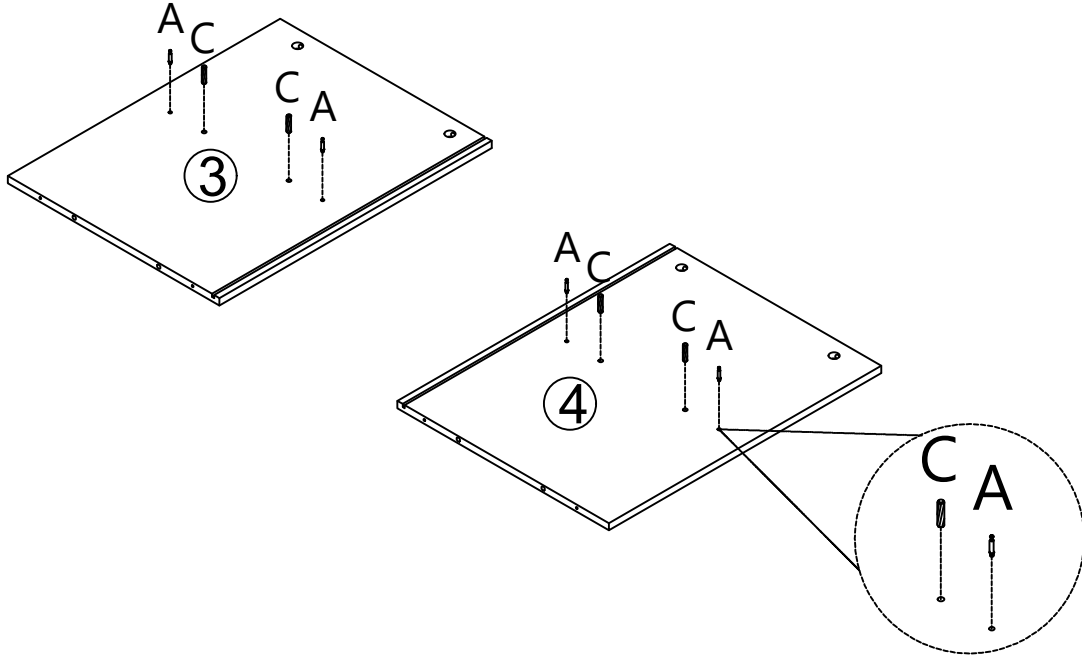
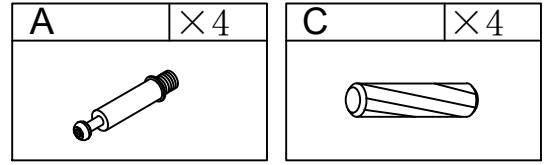
The Hardwares



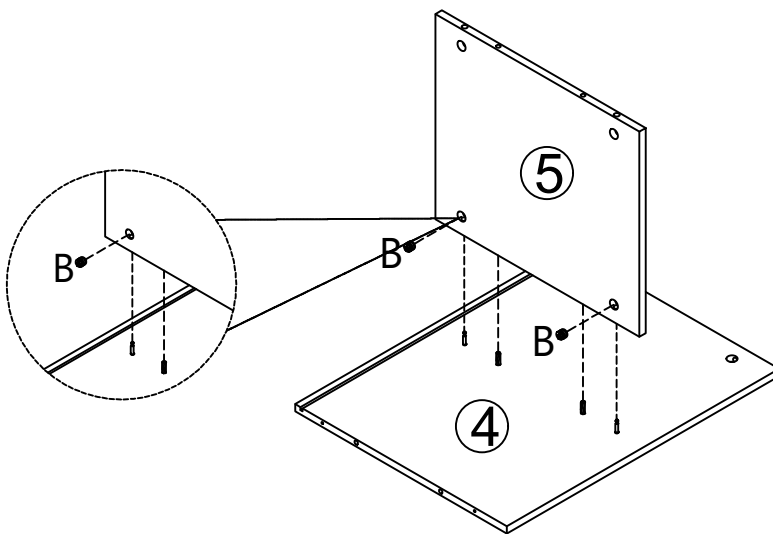
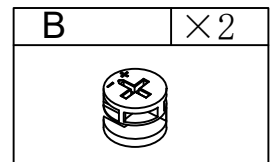
IMPORTANT:

1. Do not tighten bolts / screws completely until all bolts / screws are lined up and inserted into holes.
2. Do not over tighten screws and bolts to avoid stripping
3. Please use hand tools to assemble this product, you can also use power tools (please use power tools carefully).

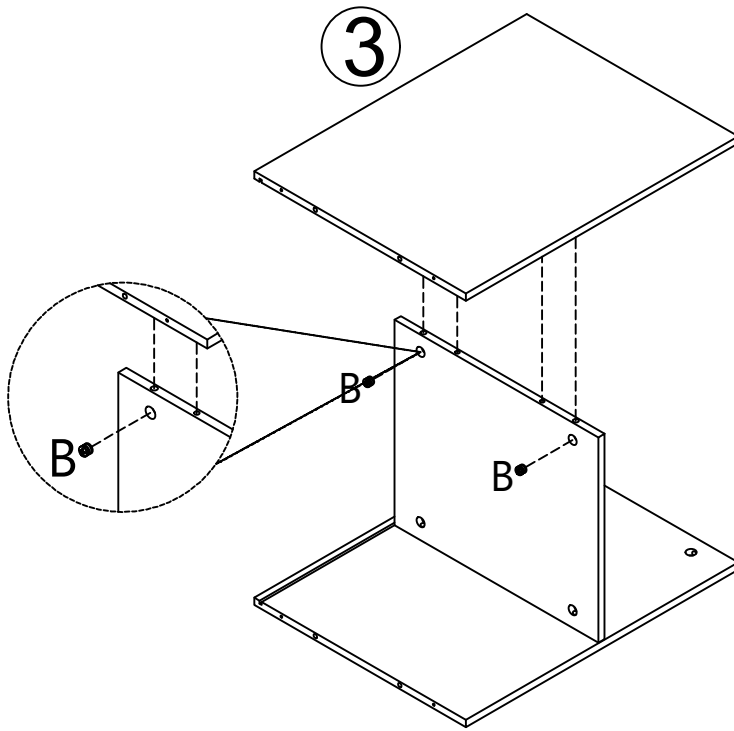
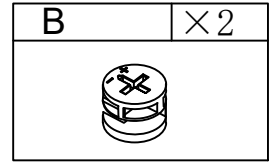
Step 1



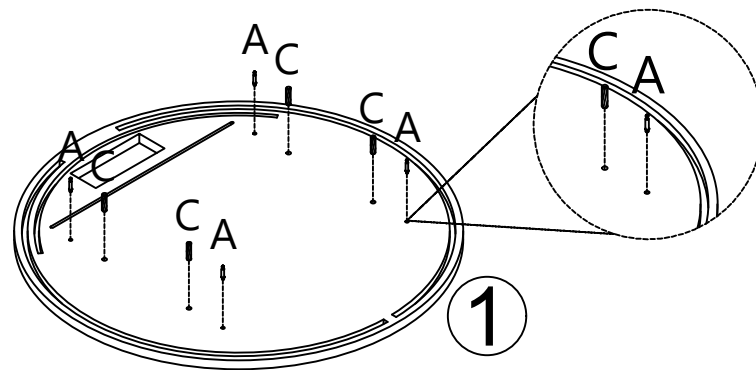
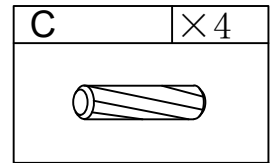
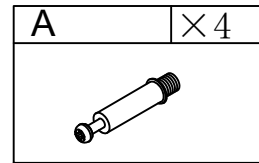
Step 2



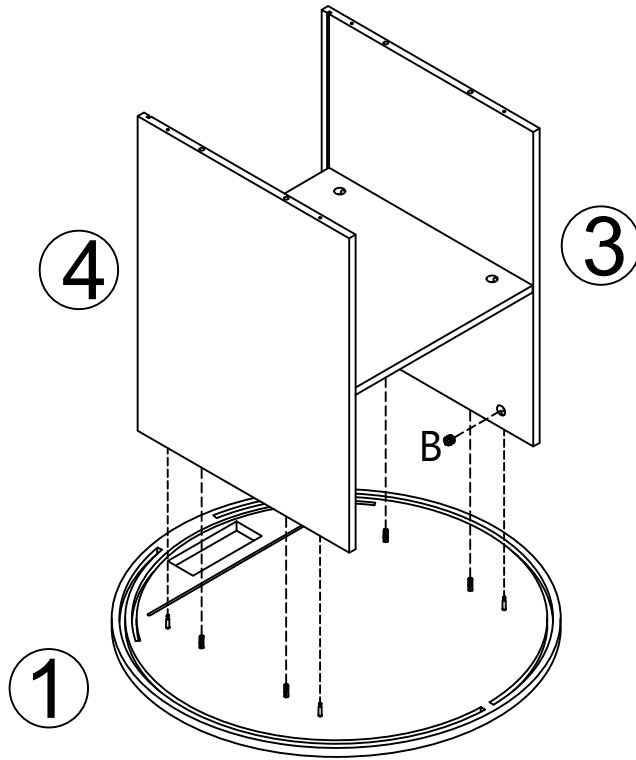
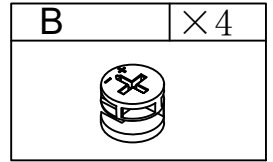
Step 3



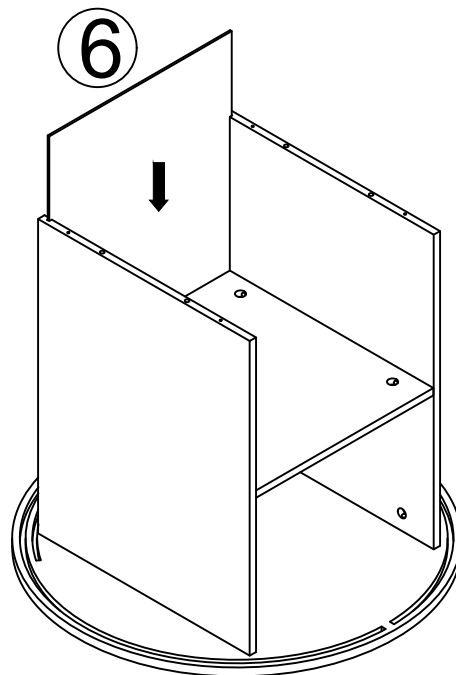
Step 4



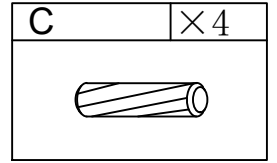
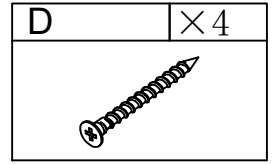
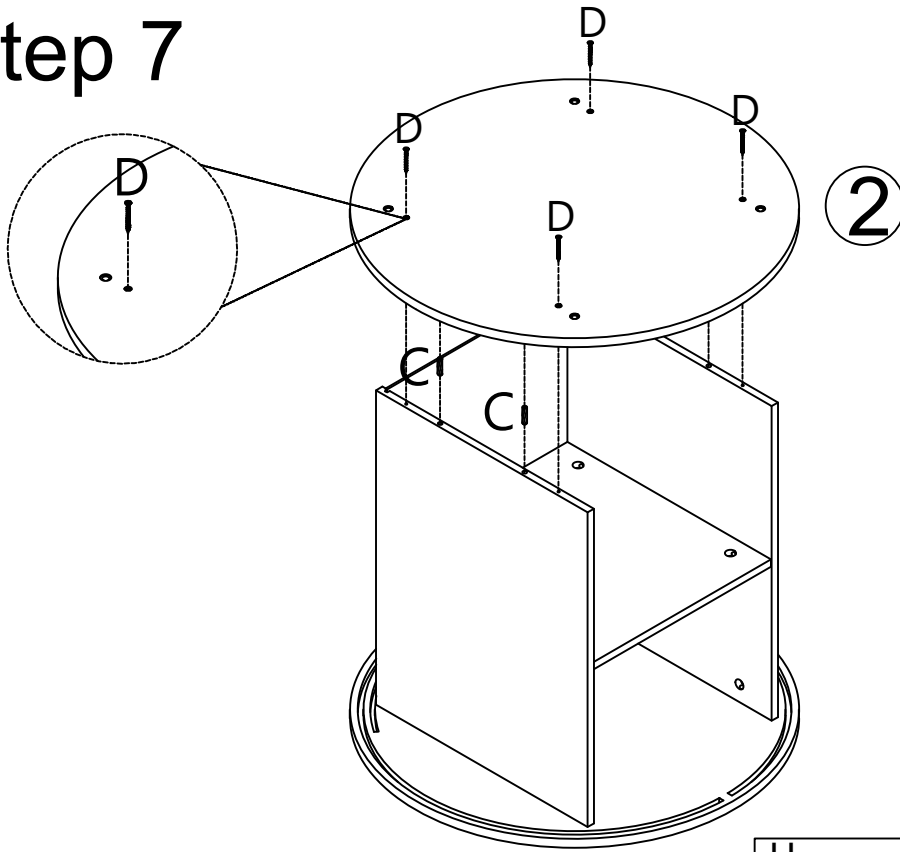
Step 5



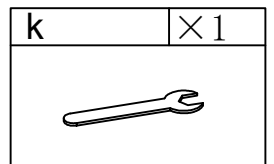
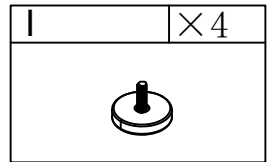
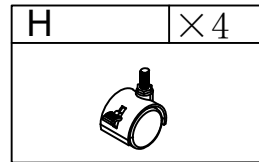
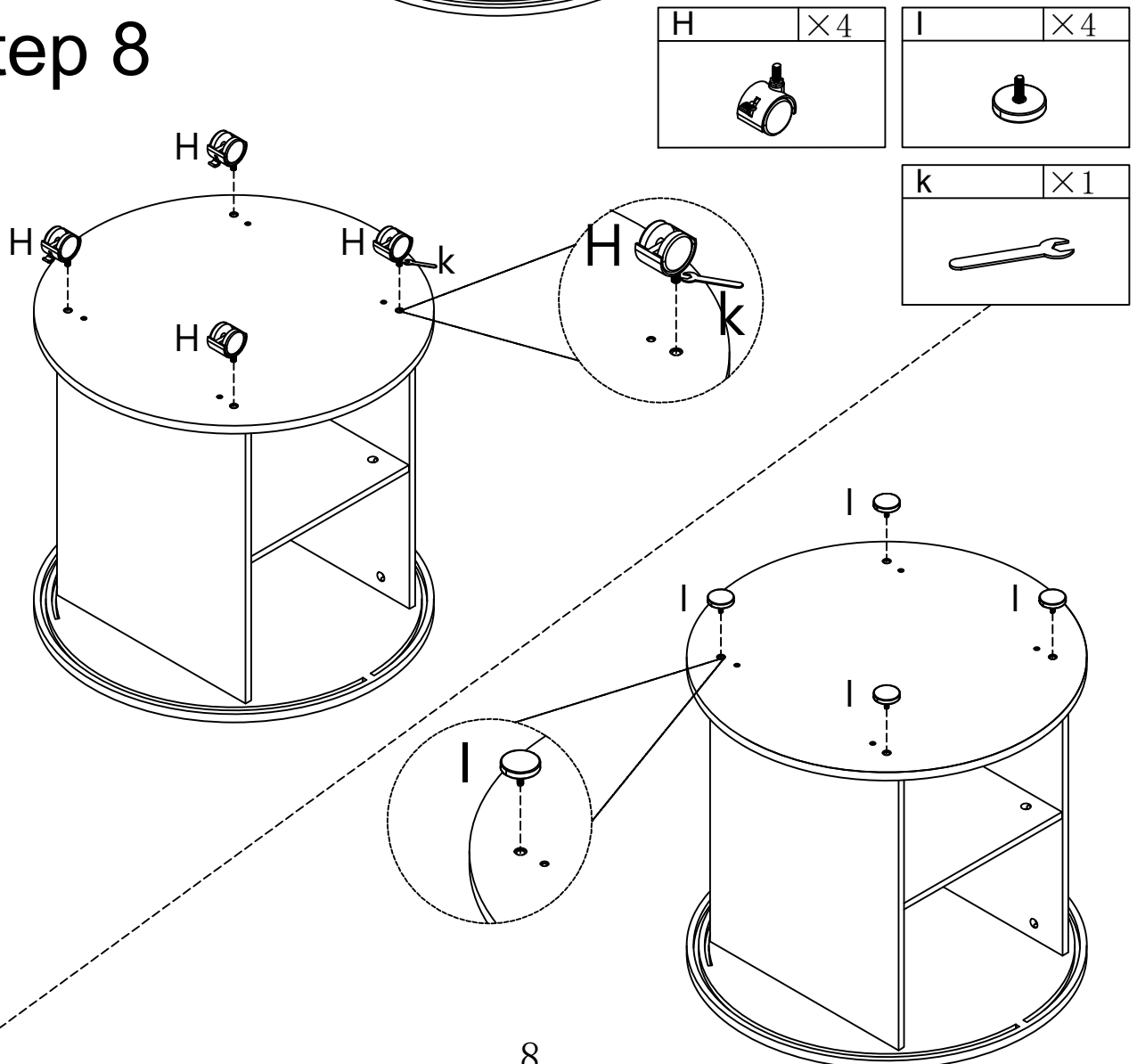
Step 6



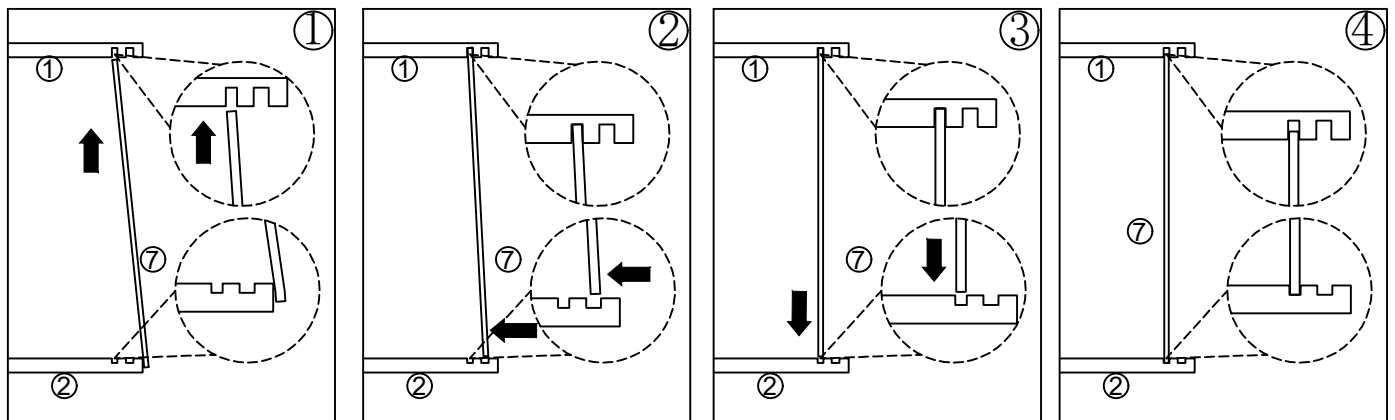
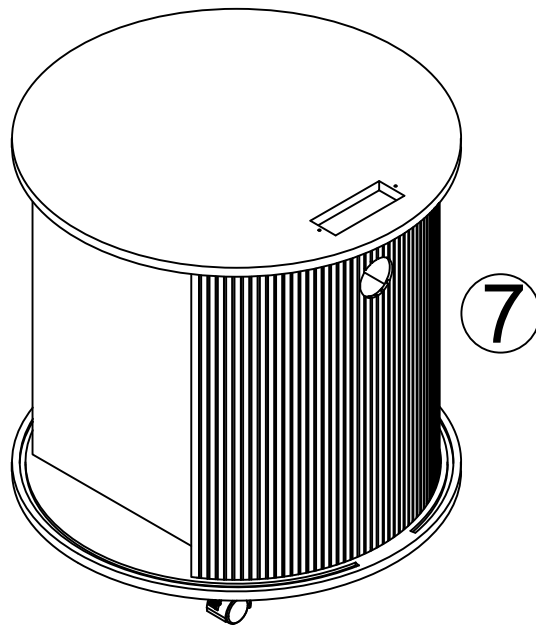
Step 7



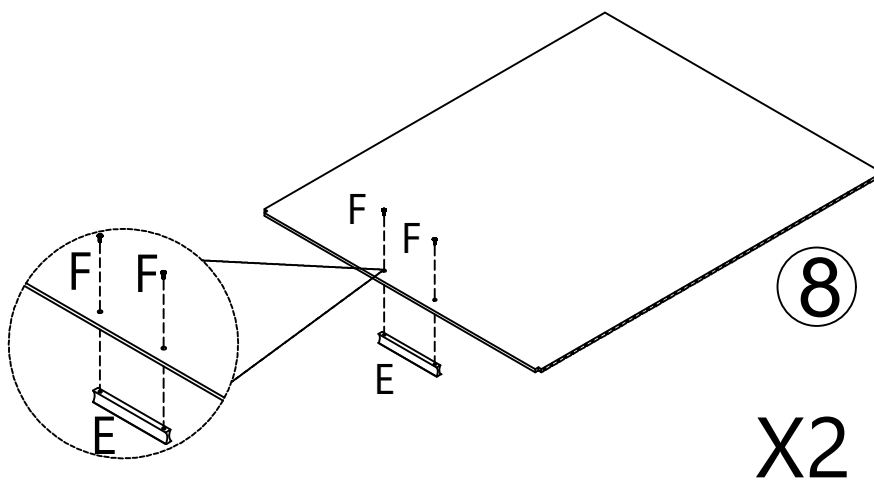
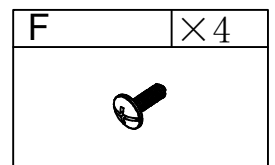
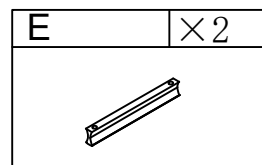
Step 8



Step 9

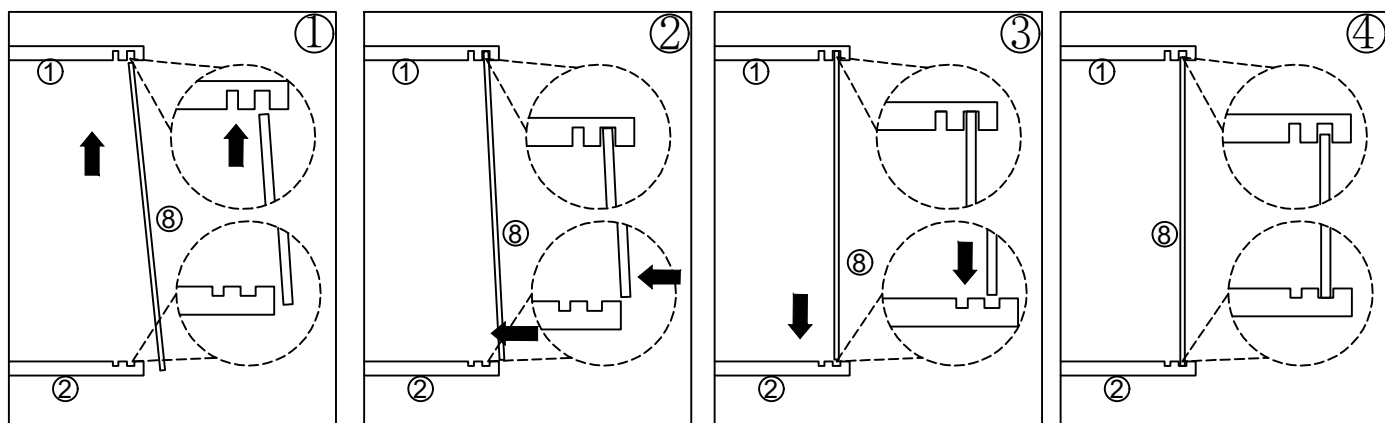
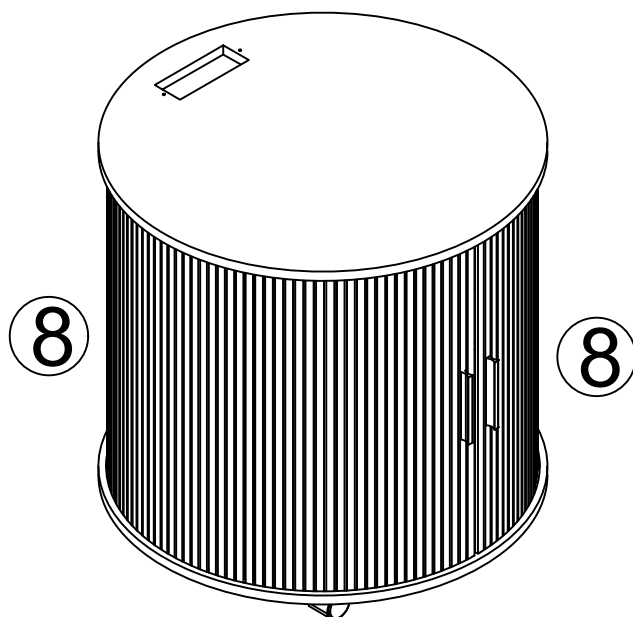


Step 10



X2

Step 11



Step 12

